



US00D686323S

(12) **United States Design Patent**
Alvi et al.

(10) **Patent No.:** **US D686,323 S**
(45) **Date of Patent:** **** Jul. 16, 2013**

(54) **SELF-INSPECTION APPARATUS**
(75) Inventors: **Haroon I. Alvi**, Southlake, TX (US);
Nancy L. Cozzie, Southlake, TX (US);
Mike Wilkinson, Richardson, TX (US);
Arnold Ochoa, Garland, TX (US);
Brian Eaton, Plano, TX (US)

5,601,537 A	2/1997	Frassica	
5,653,700 A	8/1997	Byrne et al.	
6,273,575 B1	8/2001	Downs et al.	
6,544,240 B1	4/2003	Borodulin et al.	
6,926,708 B1	8/2005	Franks-Farah et al.	
6,962,421 B2 *	11/2005	Yang	359/846
D535,394 S *	1/2007	Johnson et al.	D24/139
2004/0233556 A1 *	11/2004	LaViola	359/872
2007/0225572 A1 *	9/2007	Murillo	600/247

(73) Assignee: **NIH Enterprises, Inc.**, Southlake, TX (US)

* cited by examiner

(**) Term: **14 Years**

Primary Examiner — Bridget L Eland

(21) Appl. No.: **29/411,378**

(57) **CLAIM**

The ornamental design for a “self-inspection apparatus,” as shown and described.

(22) Filed: **Jan. 19, 2012**

(51) **LOC (9) Cl.** **24-02**

(52) **U.S. Cl.**
USPC **D24/139**

(58) **Field of Classification Search**
USPC . D24/133, 137, 138, 139; D23/309; 359/871,
359/872, 879; 604/264, 329, 544; 362/135;
248/466–498

See application file for complete search history.

DESCRIPTION

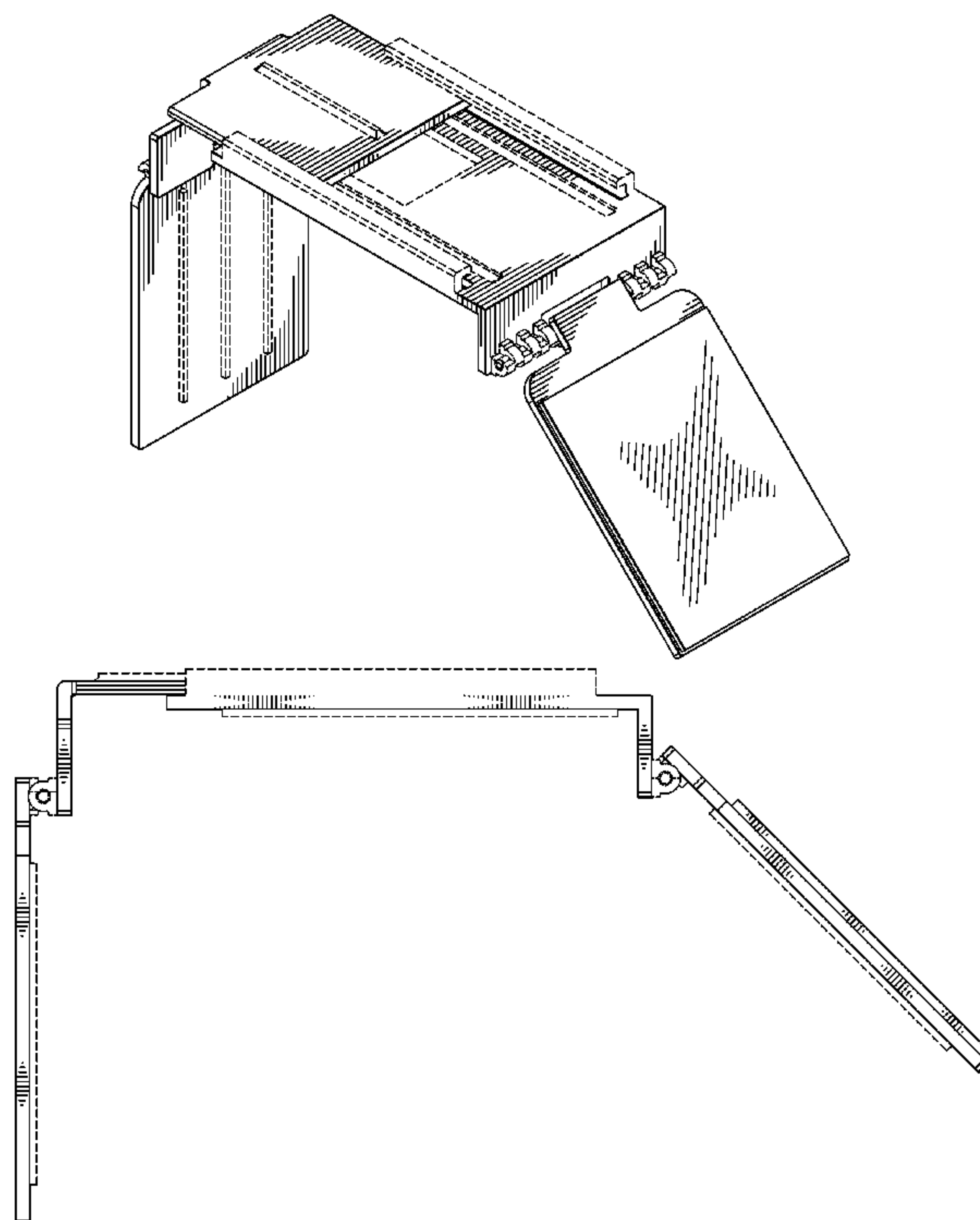
FIG. 1 is a front perspective view of the self-inspection apparatus;
FIG. 2 is a front view of the self-inspection apparatus;
FIG. 3 is a rear view of the self-inspection apparatus;
FIG. 4 is a right view of the self-inspection apparatus;
FIG. 5 is a left view of the self-inspection apparatus;
FIG. 6 is a top view of the self-inspection apparatus;
FIG. 7 is a bottom view of the self-inspection apparatus; and,
FIG. 8 is a front perspective view of the self-inspection apparatus shown in an environment of a toilet.
The broken lines adjacent the shaded areas represent the bounds of the claimed design while all other broken lines are directed to environment and are for illustrative purposes only; the broken lines form no part of the claimed invention.

(56) **References Cited**

U.S. PATENT DOCUMENTS

3,411,842 A	11/1968	Levy	
3,989,359 A	11/1976	Shutt	
4,257,680 A	3/1981	Baczkowski	
D281,622 S *	12/1985	Diamond	D24/139
4,623,955 A	11/1986	Santini	
5,301,068 A	4/1994	Minisci	
5,311,366 A	5/1994	Gerace	
D361,626 S *	8/1995	Brown	D23/309

1 Claim, 6 Drawing Sheets



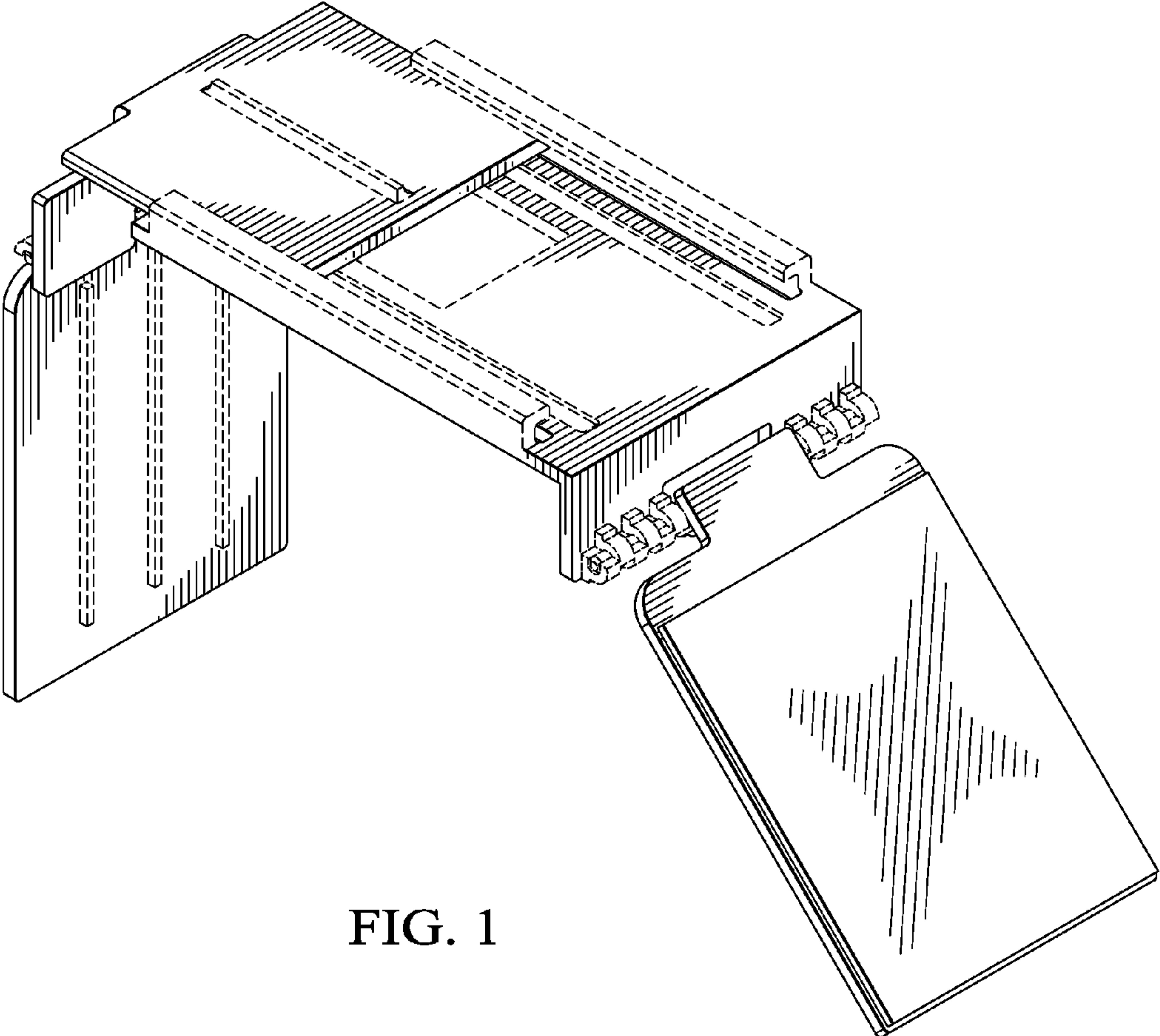


FIG. 1

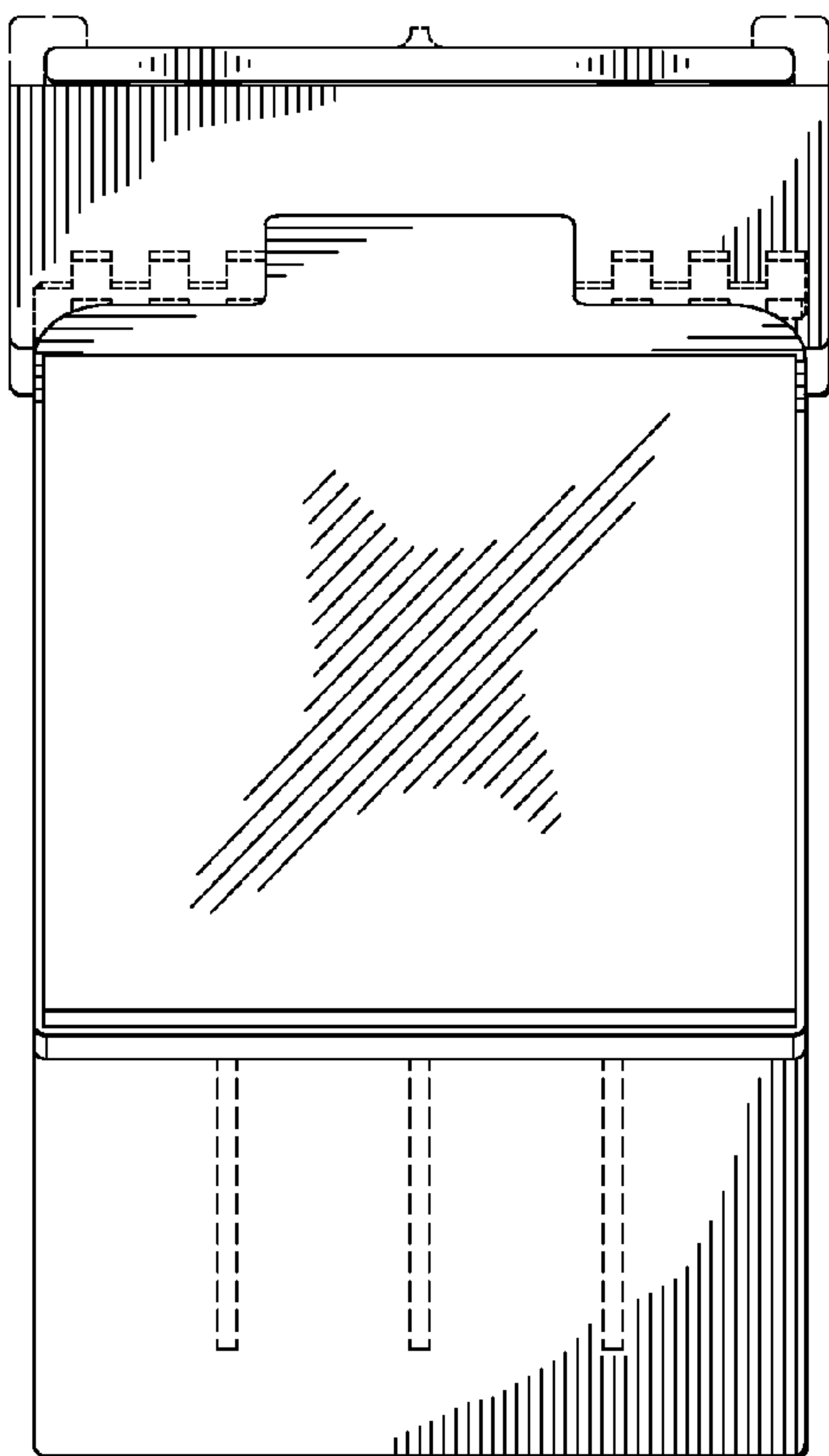


FIG. 2

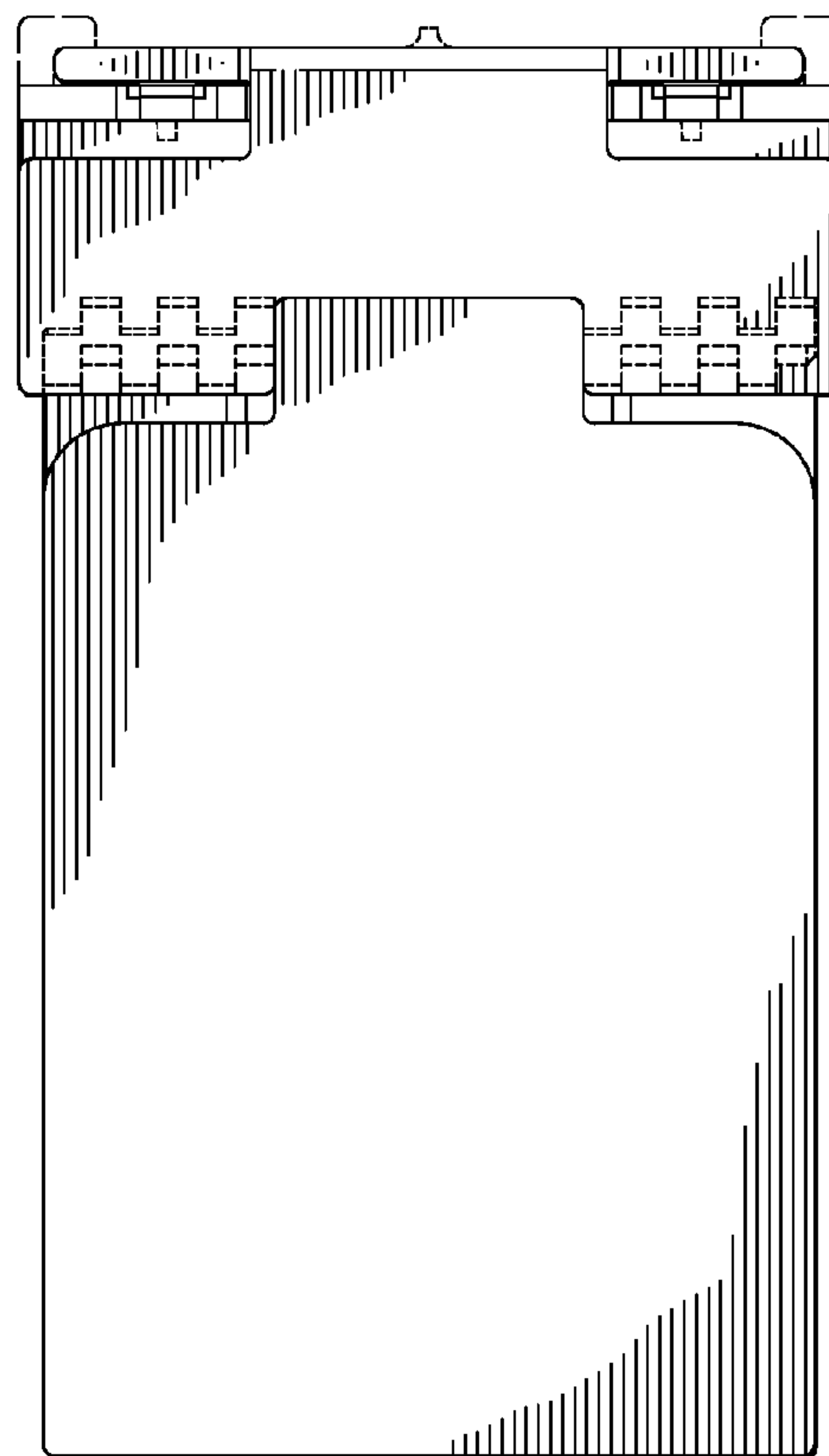


FIG. 3

FIG. 4

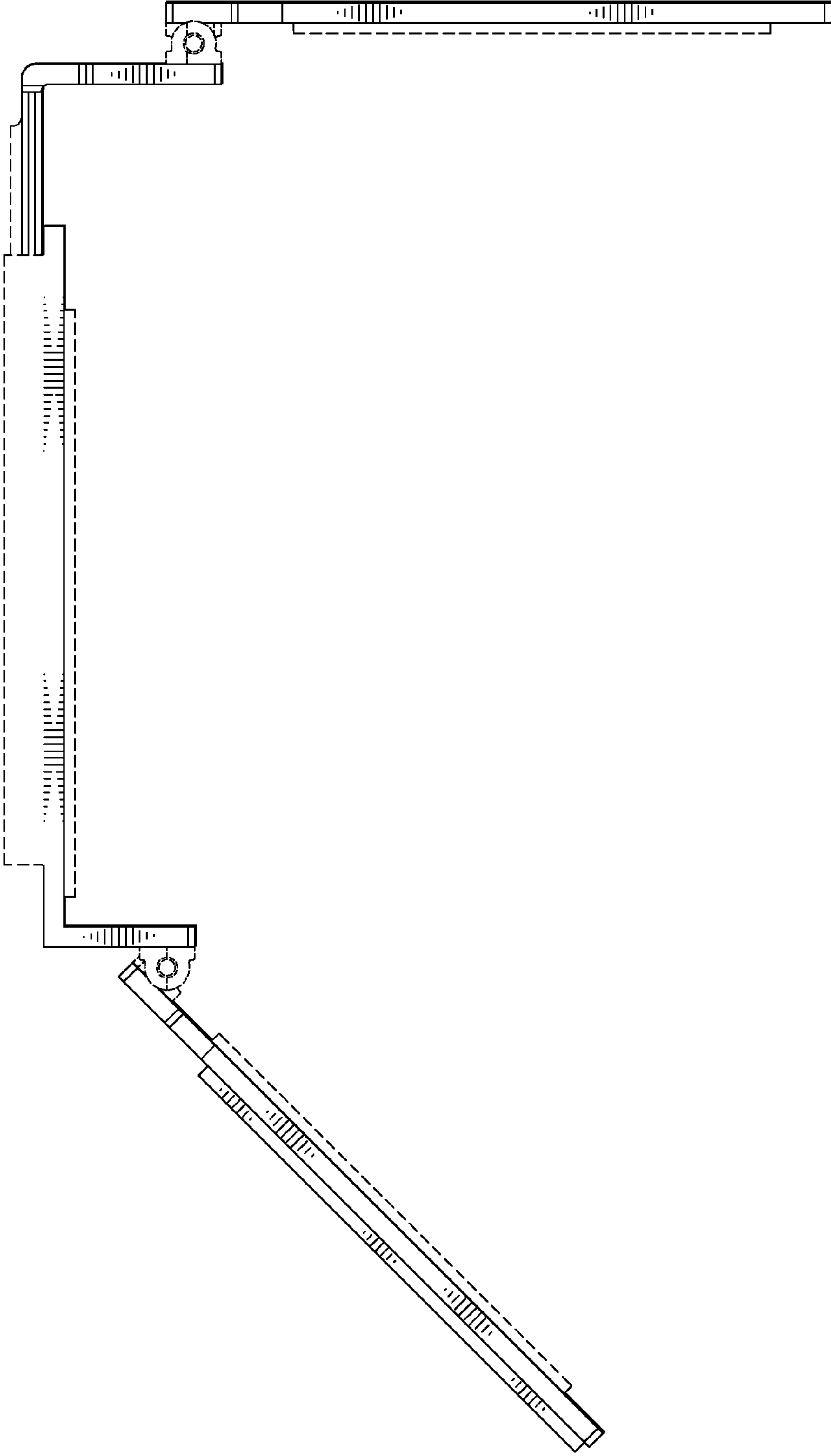
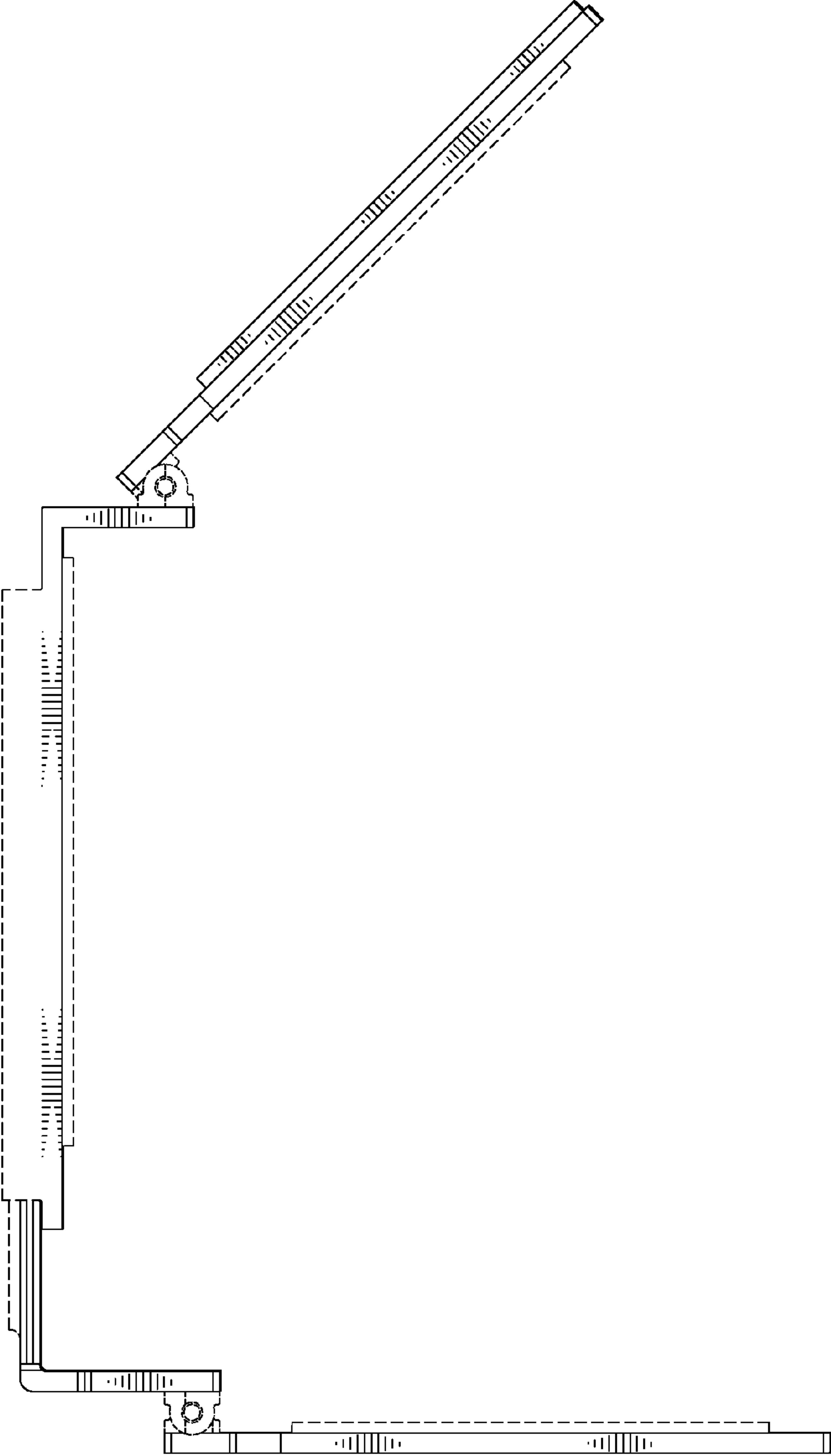


FIG. 5



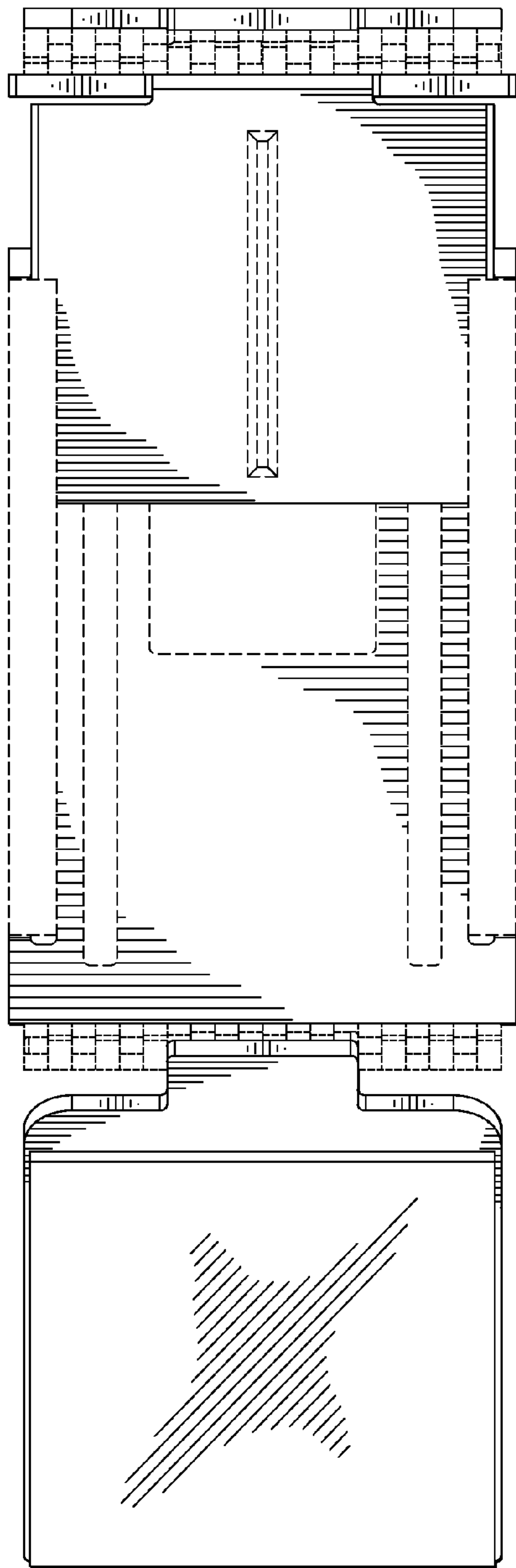


FIG. 6

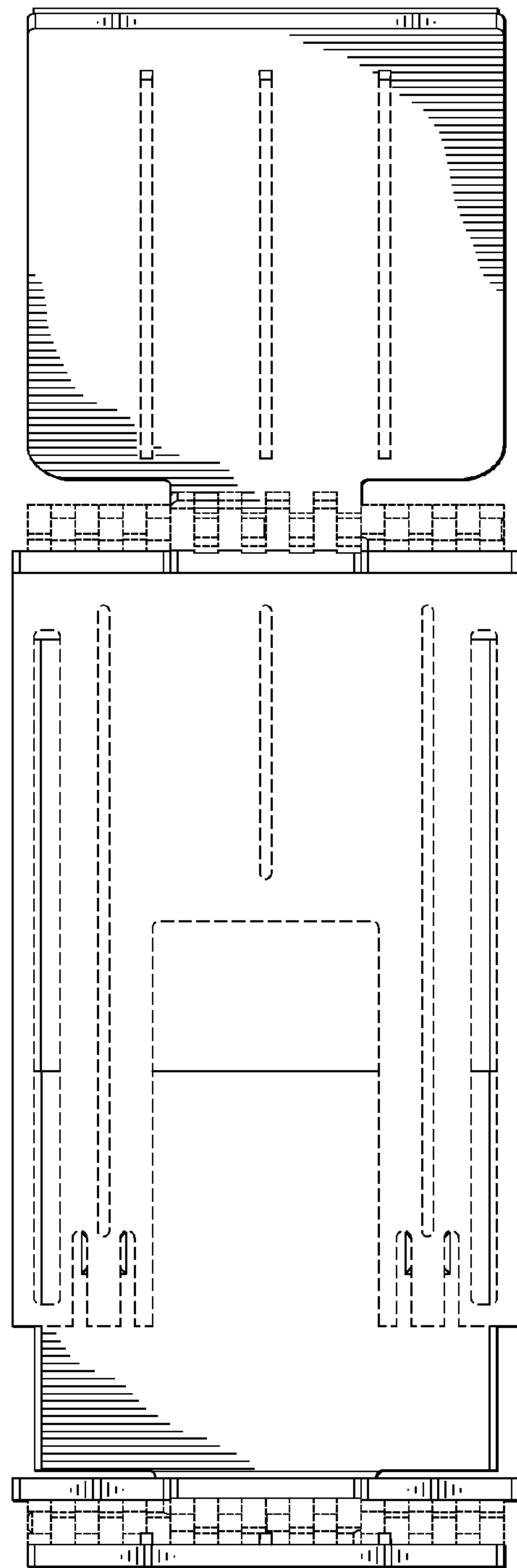


FIG. 7

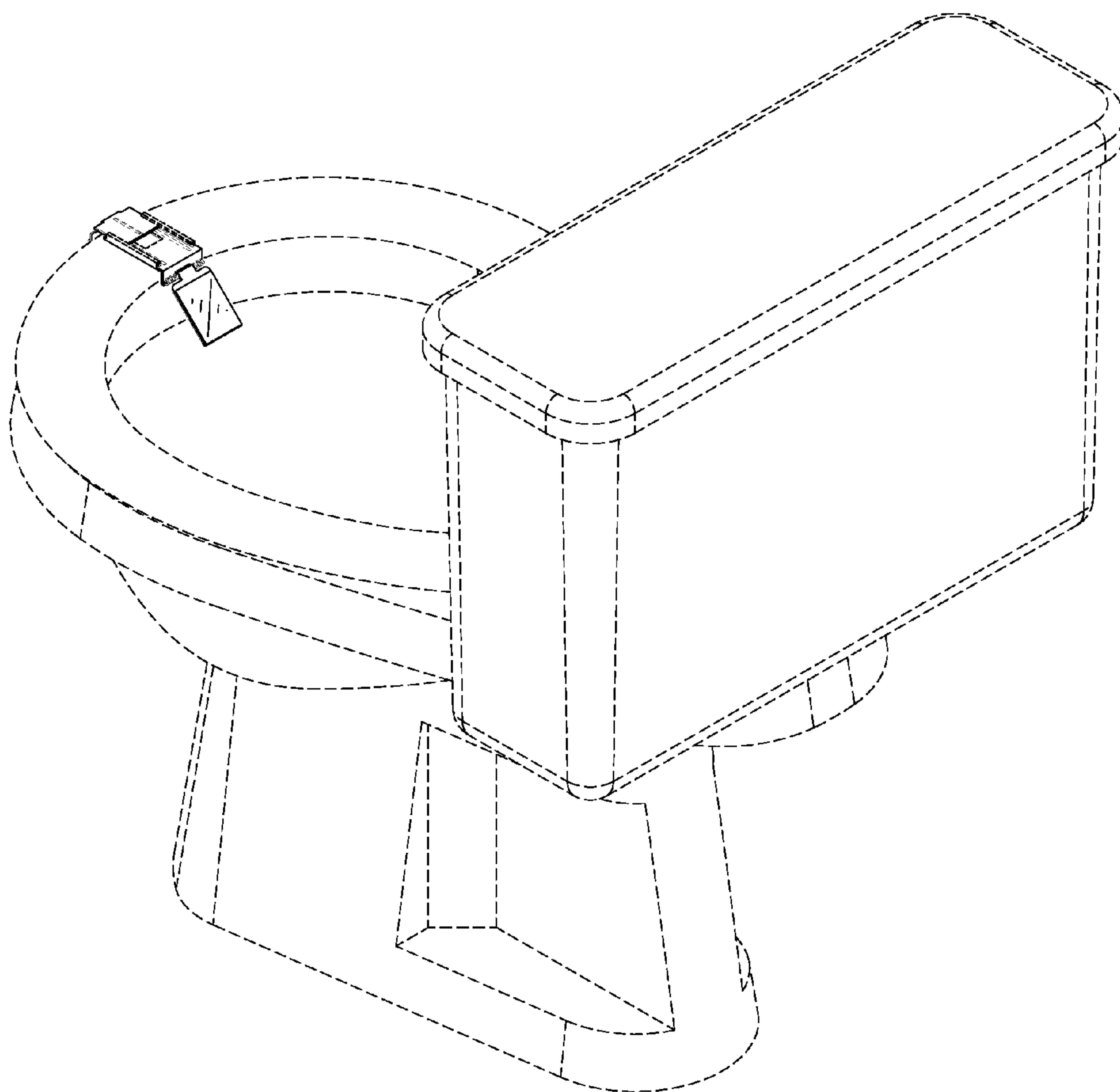


FIG. 8