



US00D686322S

(12) **United States Design Patent**
Maeda et al.

(10) **Patent No.:** **US D686,322 S**
(45) **Date of Patent:** **** Jul. 16, 2013**

(54) **GASKET FOR SYRINGE**

(71) Applicant: **Sumitomo Rubber Industries, Ltd.**,
Kobe (JP)

(72) Inventors: **Katsushi Maeda**, Kobe (JP); **Eiji Yao**,
Kobe (JP); **Shinya Iwano**, Kobe (JP)

(73) Assignee: **Sumitomo Rubber Industries, Ltd.**,
Kobe (JP)

(**) Term: **14 Years**

(21) Appl. No.: **29/437,498**

(22) Filed: **Nov. 16, 2012**

(30) **Foreign Application Priority Data**

May 17, 2012 (JP) 2012-11477

(51) **LOC (9) Cl.** **24-02**

(52) **U.S. Cl.**
USPC **D24/130**

(58) **Field of Classification Search**
USPC . D24/127-131, 112-114, 133, 186; 606/181,
606/185; 604/264, 272, 115, 232, 187, 158,
604/164.08, 192, 263, 163, 181, 184, 198,
604/227, 54, 110, 295; 600/101, 139, 143;
128/200.24, 207.14, 207.15; 206/363-364,
206/367

See application file for complete search history.

(56) **References Cited**

U.S. PATENT DOCUMENTS

D287,053	S	*	12/1986	Bucchianeri et al.	D24/130
D426,884	S	*	6/2000	Srisathapat et al.	D24/114
6,511,459	B1	*	1/2003	Fago	604/181
D578,210	S	*	10/2008	Muta et al.	D24/114
D581,528	S	*	11/2008	Sudo	D24/130
D583,938	S	*	12/2008	Sudo	D24/130
D589,612	S	*	3/2009	Sudo	D24/130
D632,389	S	*	2/2011	Maeda et al.	D24/130
D632,784	S	*	2/2011	Maeda et al.	D24/130
D633,202	S	*	2/2011	Maeda et al.	D24/130
D665,498	S	*	8/2012	Tamura et al.	D24/130
2006/0178643	A1	*	8/2006	Sudo et al.	604/230
2010/0042055	A1	*	2/2010	Sudo et al.	604/218

* cited by examiner

Primary Examiner — David Muller

(74) *Attorney, Agent, or Firm* — Birch, Stewart, Kolasch & Birch, LLP

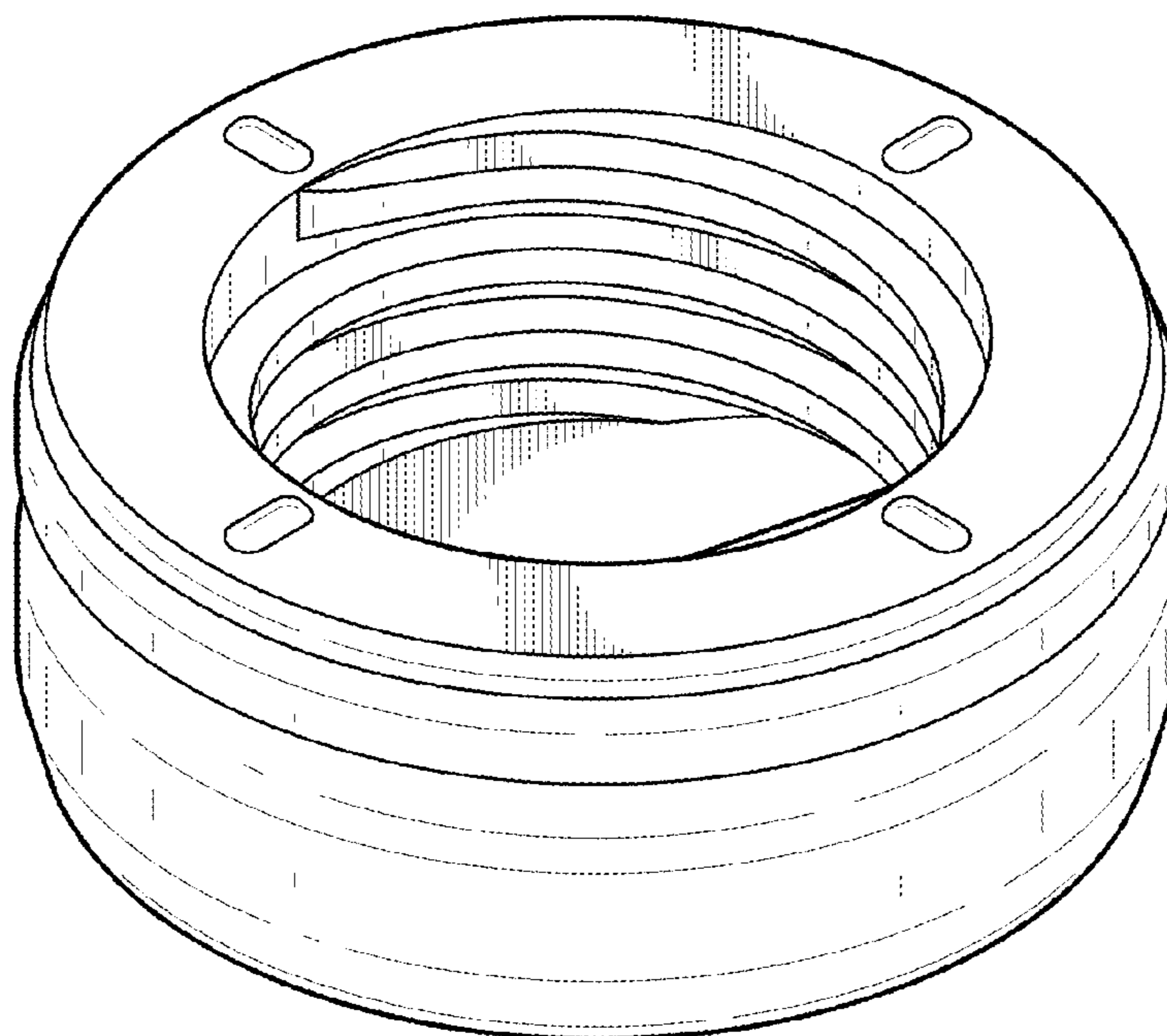
(57) **CLAIM**

The ornamental design for a gasket for syringe, as shown and described.

DESCRIPTION

FIG. 1 is a front perspective view of a gasket for syringe showing my new design;
FIG. 2 is a front view thereof;
FIG. 3 is a left side view thereof;
FIG. 4 is a top view thereof;
FIG. 5 is a bottom view thereof; and,
FIG. 6 is a cross-sectional view along the line VI-VI of FIG. 2.
The rear view is the same as the front view and the right side view is the same as the left side view.

1 Claim, 4 Drawing Sheets



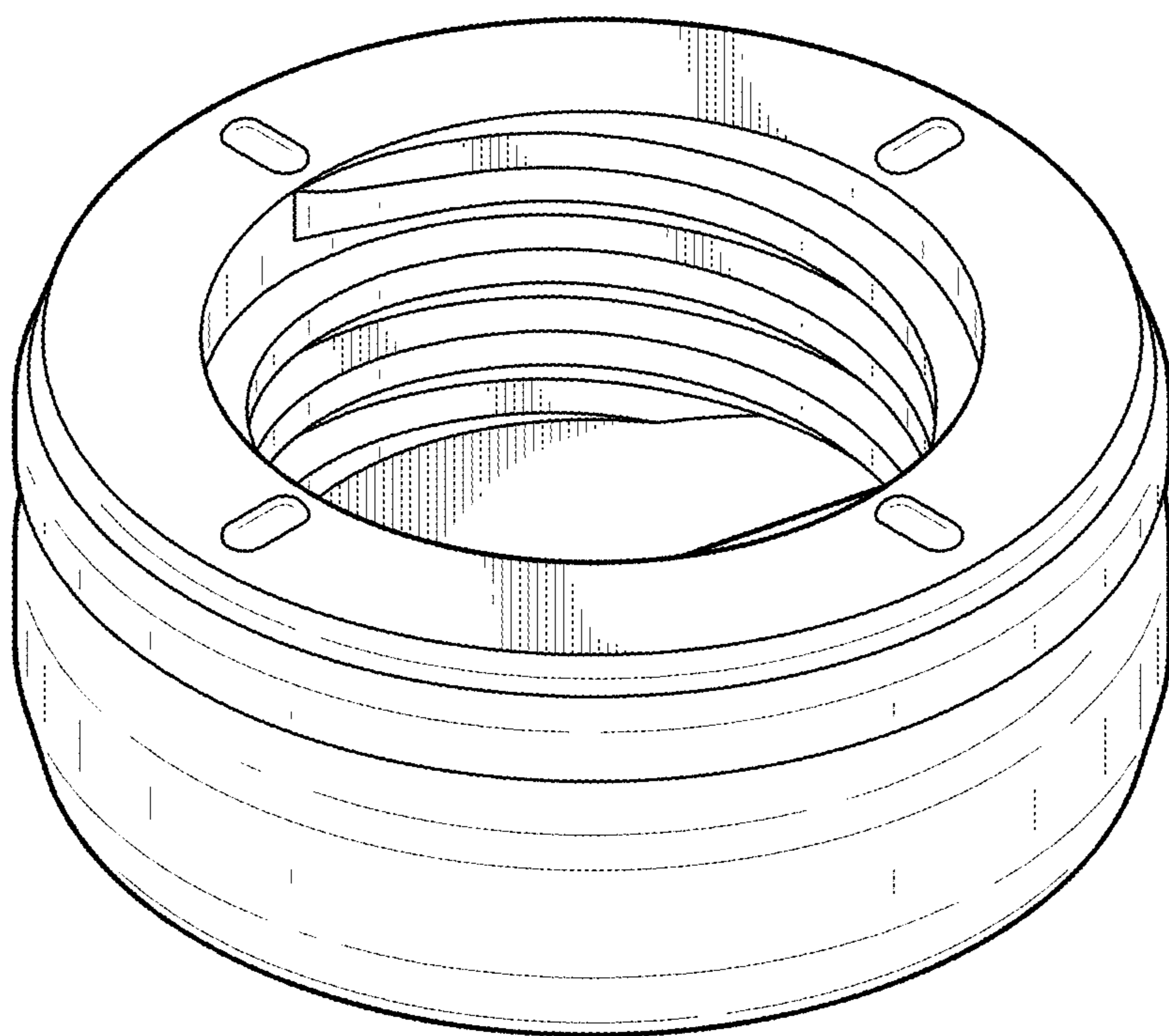


FIG. 1

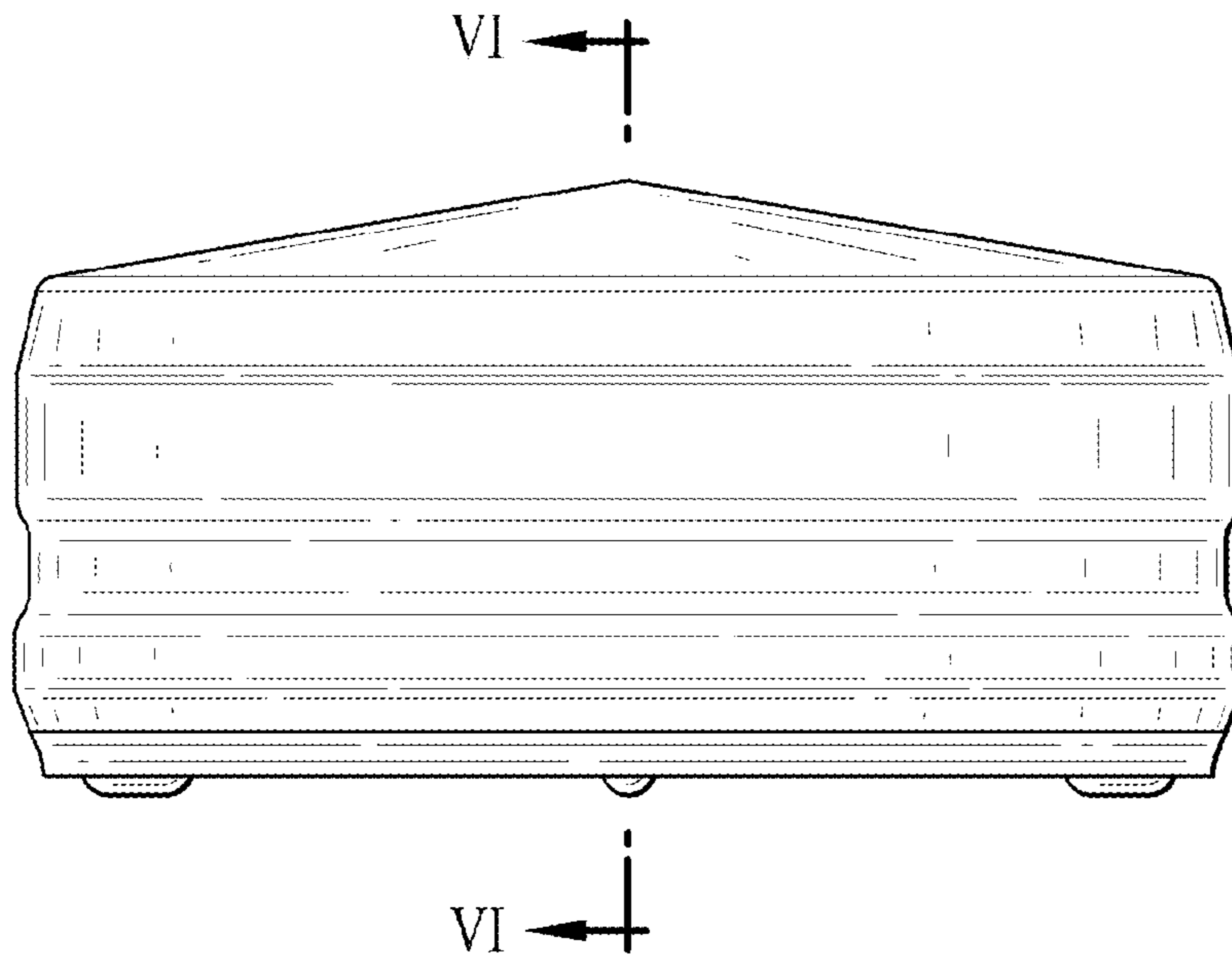


FIG.2

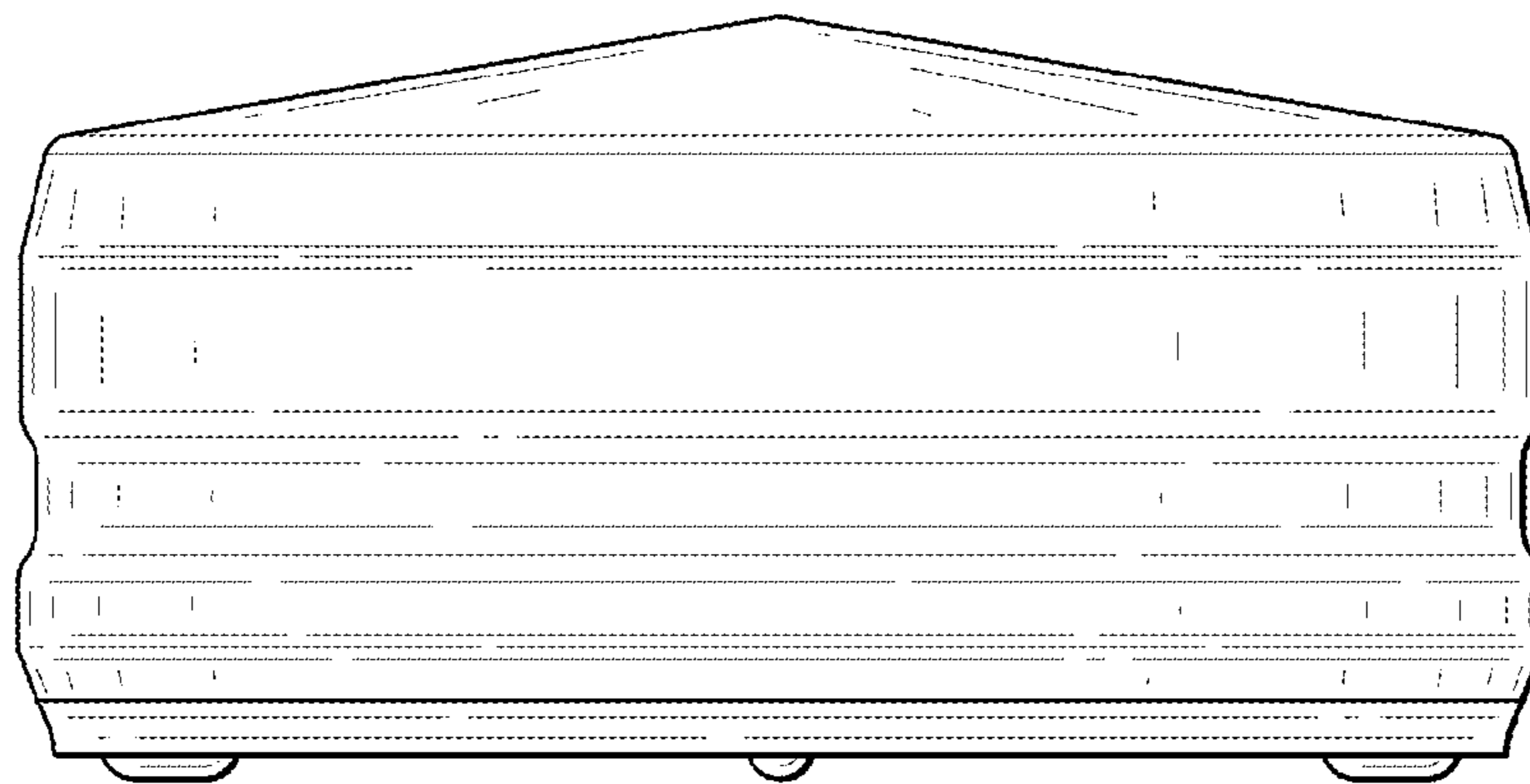


FIG.3

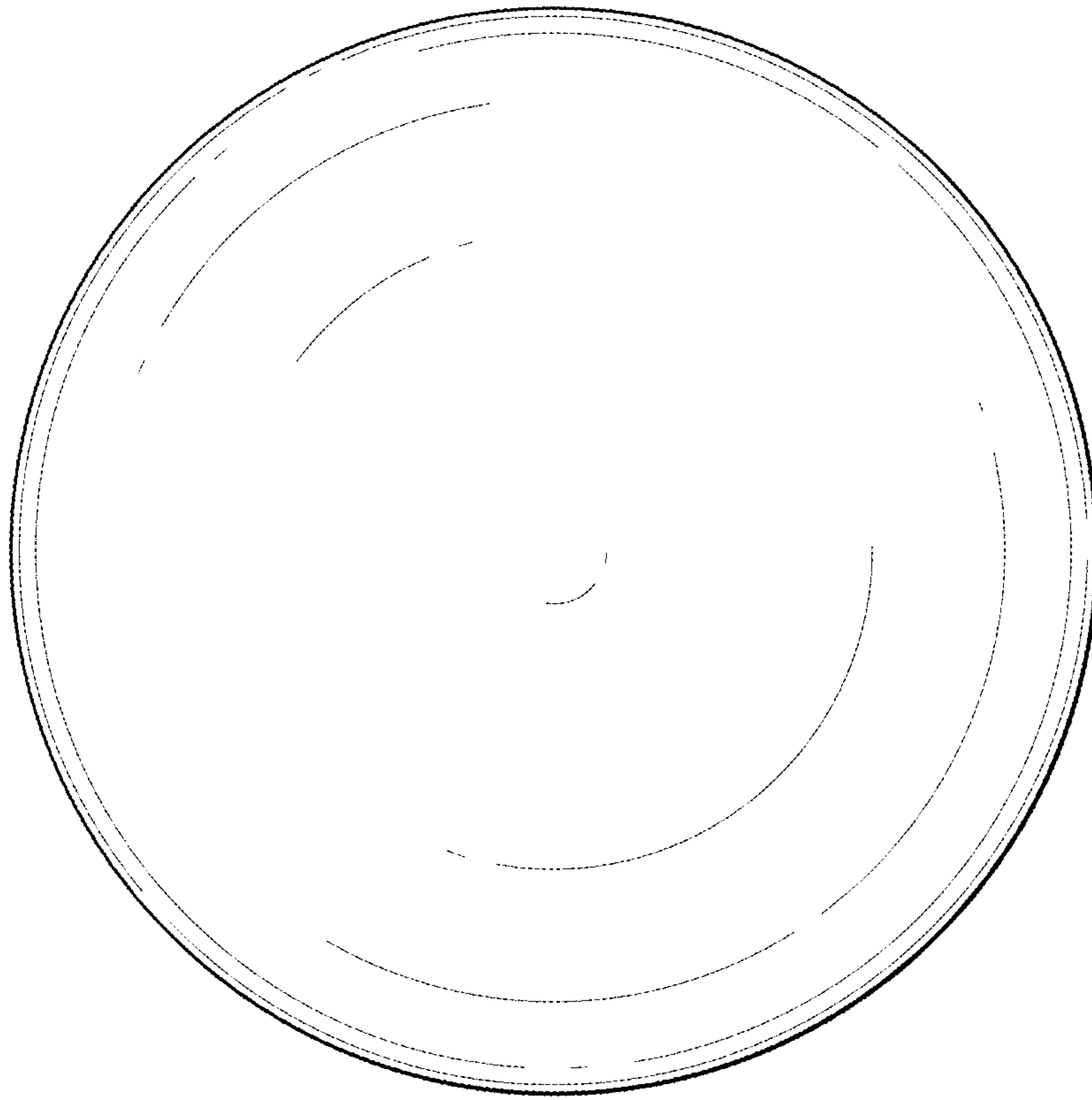


FIG.4

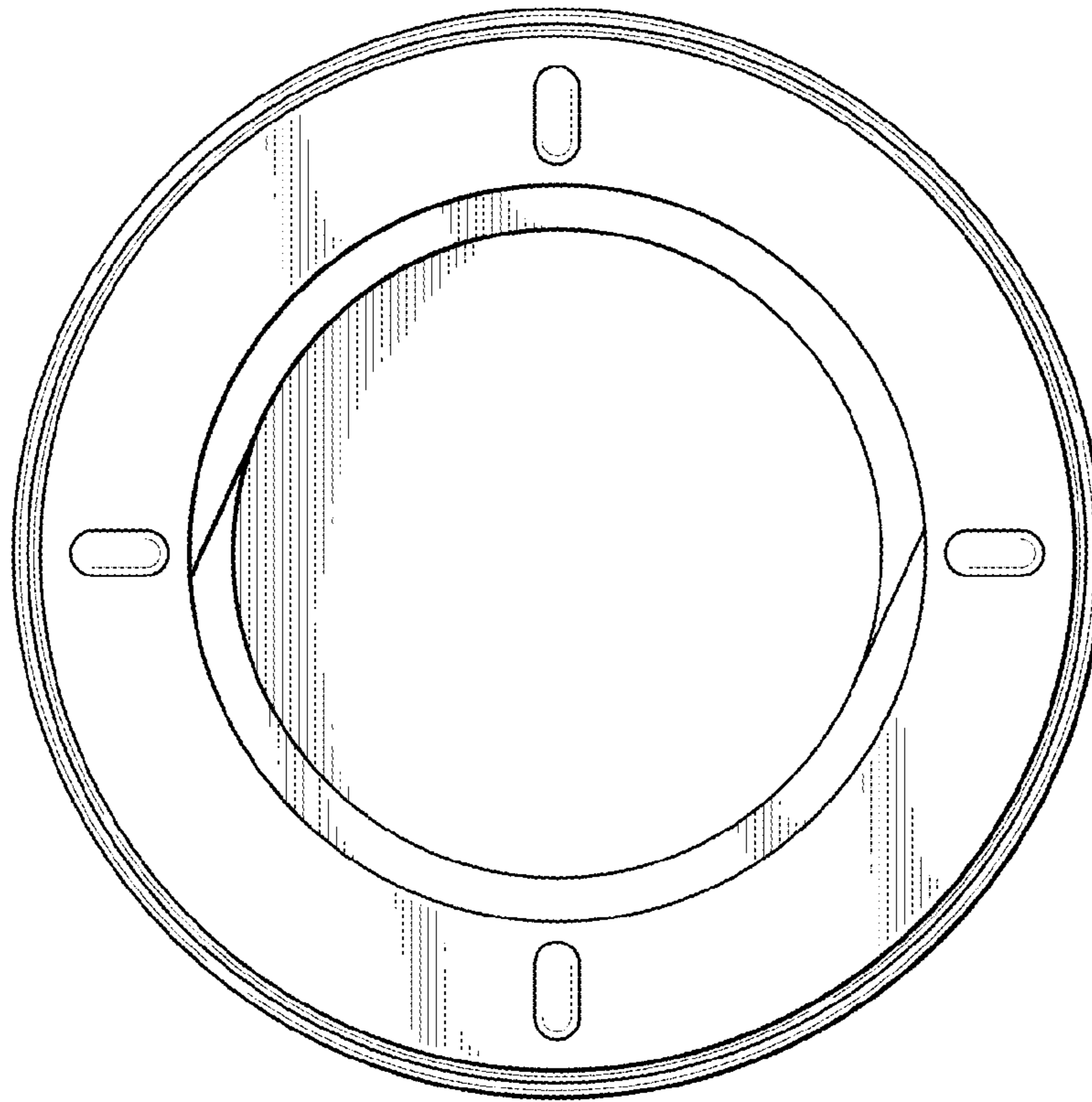


FIG. 5

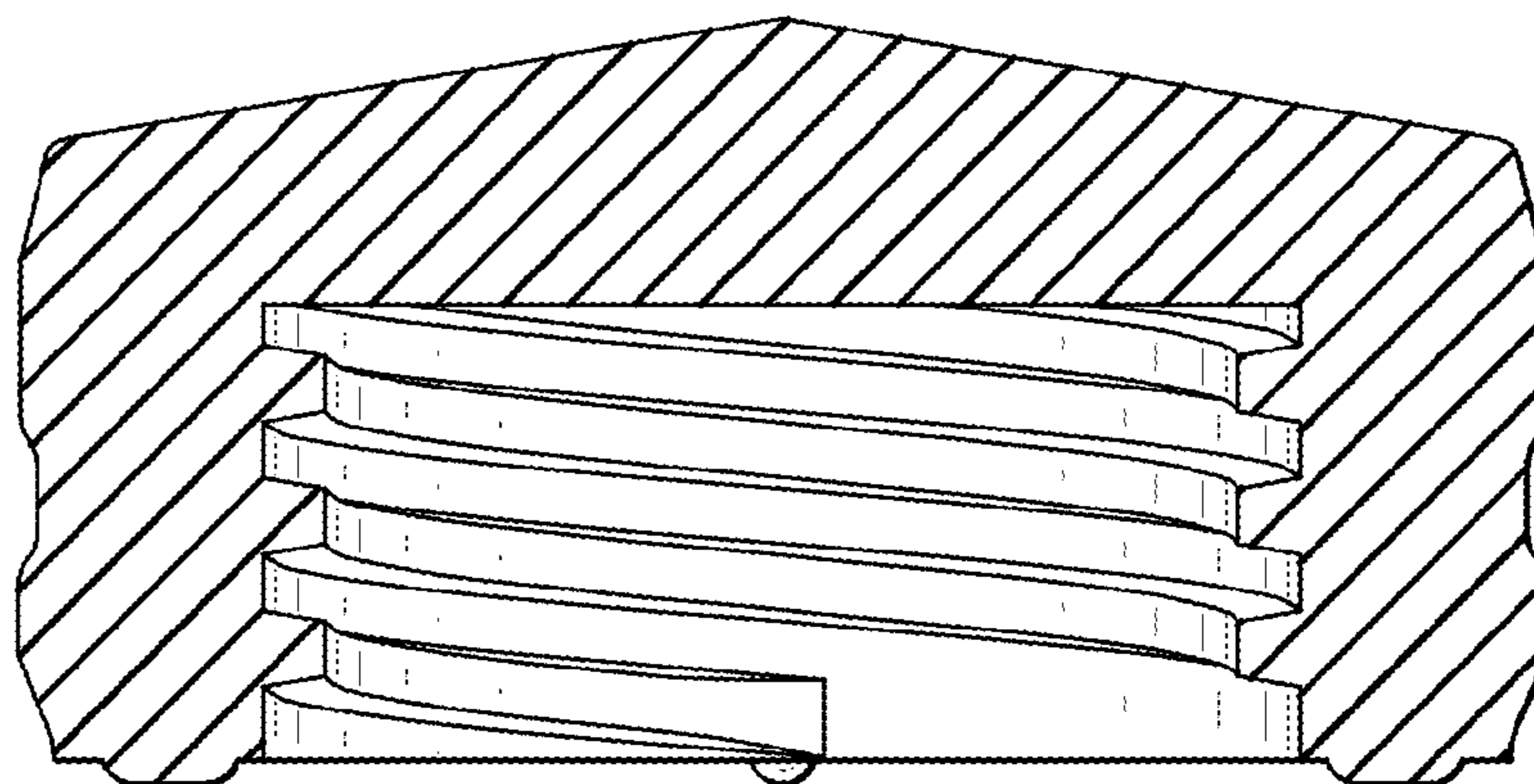


FIG. 6