



US00D686321S

(12) **United States Design Patent**
Essinger et al.

(10) **Patent No.:** **US D686,321 S**
(45) **Date of Patent:** **** Jul. 16, 2013**

(54) **HANDLE FOR DELIVERY CATHETER**

(75) Inventors: **Jacques Essinger**, St. Prex (CH);
Stéphane Delaloye, Bulach (CH);
Jean-Luc Hefti, Cheseaux-Néaz (CH);
Luc Mantanus, Lausanne (CH)

(73) Assignee: **Symetis SA**, Ecublens (CH)

(**) Term: **14 Years**

(21) Appl. No.: **29/406,164**

(22) Filed: **Nov. 10, 2011**

(30) **Foreign Application Priority Data**

May 11, 2011 (WO) DM/075 937

(51) **LOC (9) Cl.** **24-02**

(52) **U.S. Cl.**
USPC **D24/130**

(58) **Field of Classification Search**
USPC . D24/127-131, 112-114, 133, 186; 606/181,
606/185; 604/264, 272, 115, 232, 187, 158,
604/164.08, 192, 263, 163, 181, 184, 1, 98,
604/227; 600/101, 139, 143; 128/200.24,
128/207.14, 207.15

See application file for complete search history.

(56) **References Cited**

U.S. PATENT DOCUMENTS

5,344,411	A *	9/1994	Domb et al.	604/265
5,545,146	A *	8/1996	Ishak	604/198
D384,743	S *	10/1997	Chia	D24/133
D391,361	S *	2/1998	Evans et al.	D24/133
D450,837	S *	11/2001	Cise et al.	D24/129
D476,419	S *	6/2003	Swenson	D24/130
D594,117	S *	6/2009	Patzer et al.	D24/129
D594,120	S *	6/2009	Berberich et al.	D24/133
D596,291	S *	7/2009	Berberich et al.	D24/133
7,621,918	B2 *	11/2009	Jackson	606/86 A

7,651,502	B2 *	1/2010	Jackson	606/99
D653,338	S *	1/2012	Mangeshikar	D24/133
D663,832	S *	7/2012	Essinger et al.	D24/112

* cited by examiner

Primary Examiner — David Muller

(74) *Attorney, Agent, or Firm* — Mintz Levin Cohn Ferris
Glovsky and Popeo, P.C.

(57) **CLAIM**

The ornamental design for a handle for a delivery catheter, as shown and described.

DESCRIPTION

FIG. 1 is a left side, perspective view of the handle for delivery catheter, with the distal end of the design in forefront and a movable barrel portion, located on the proximal end of the design, in a first position;

FIG. 2 is a left side, perspective view of the handle for delivery catheter, with the movable barrel portion in forefront and in the first position;

FIG. 3 is a left side, elevation view of the handle for delivery catheter with the movable barrel portion in the first position;

FIG. 4 is a bottom plan view of the handle for delivery catheter with the movable barrel portion in the first position;

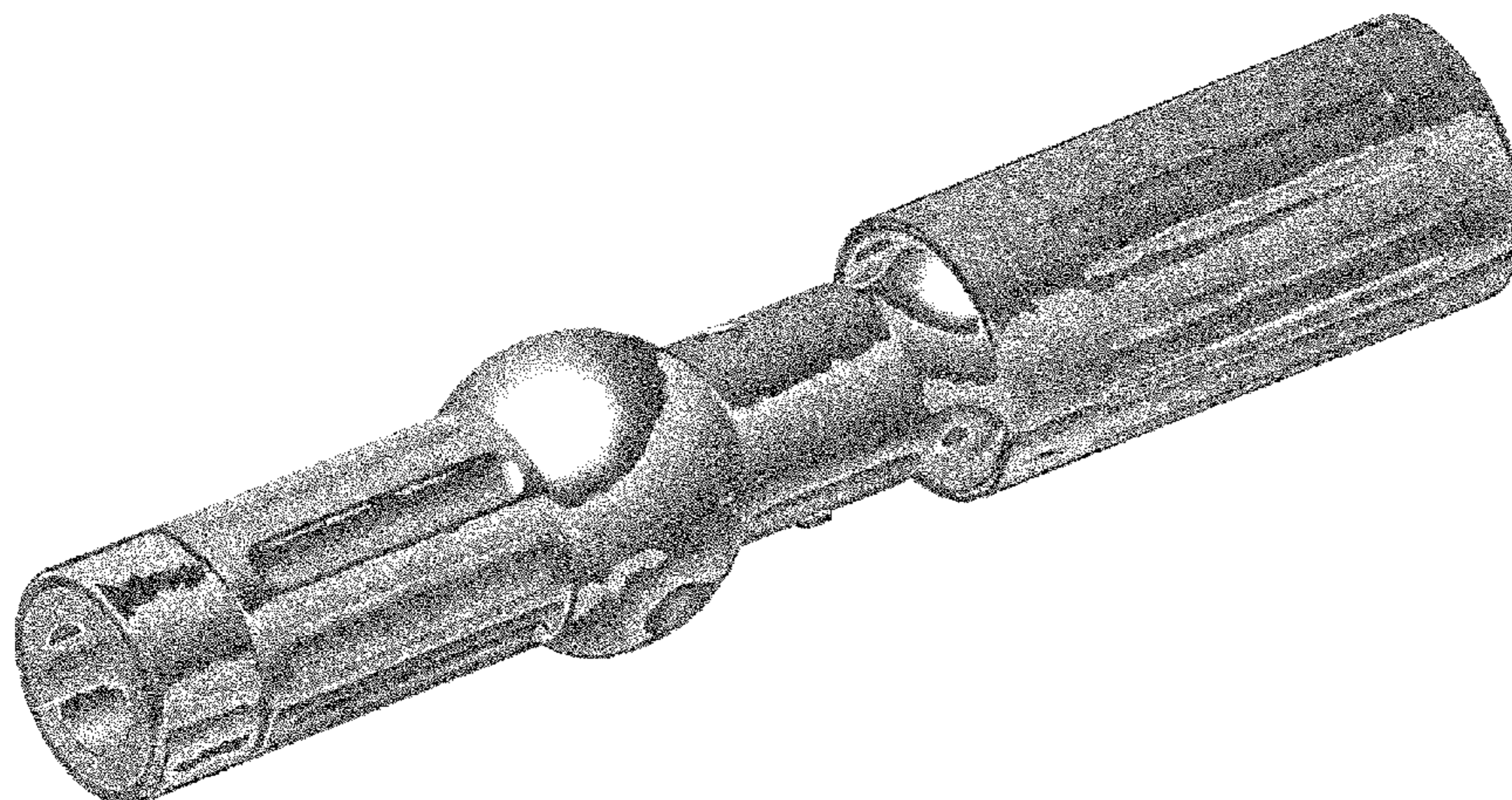
FIG. 5 is a left side, perspective view of the handle for delivery catheter, with the distal end in forefront and movable barrel portion in a second position;

FIG. 6 is a bottom plan view of the handle for delivery catheter with the movable barrel portion in the second position; and,

FIG. 7 is a left side, elevation view of the handle for delivery catheter with the movable barrel portion in the second position.

In the figures, the distal end of the claimed design is provided to the left in the figures, and the proximal end of the claimed design is provided to the right in the figures. Right side views (not shown), are mirror images of the various left side views.

1 Claim, 3 Drawing Sheets



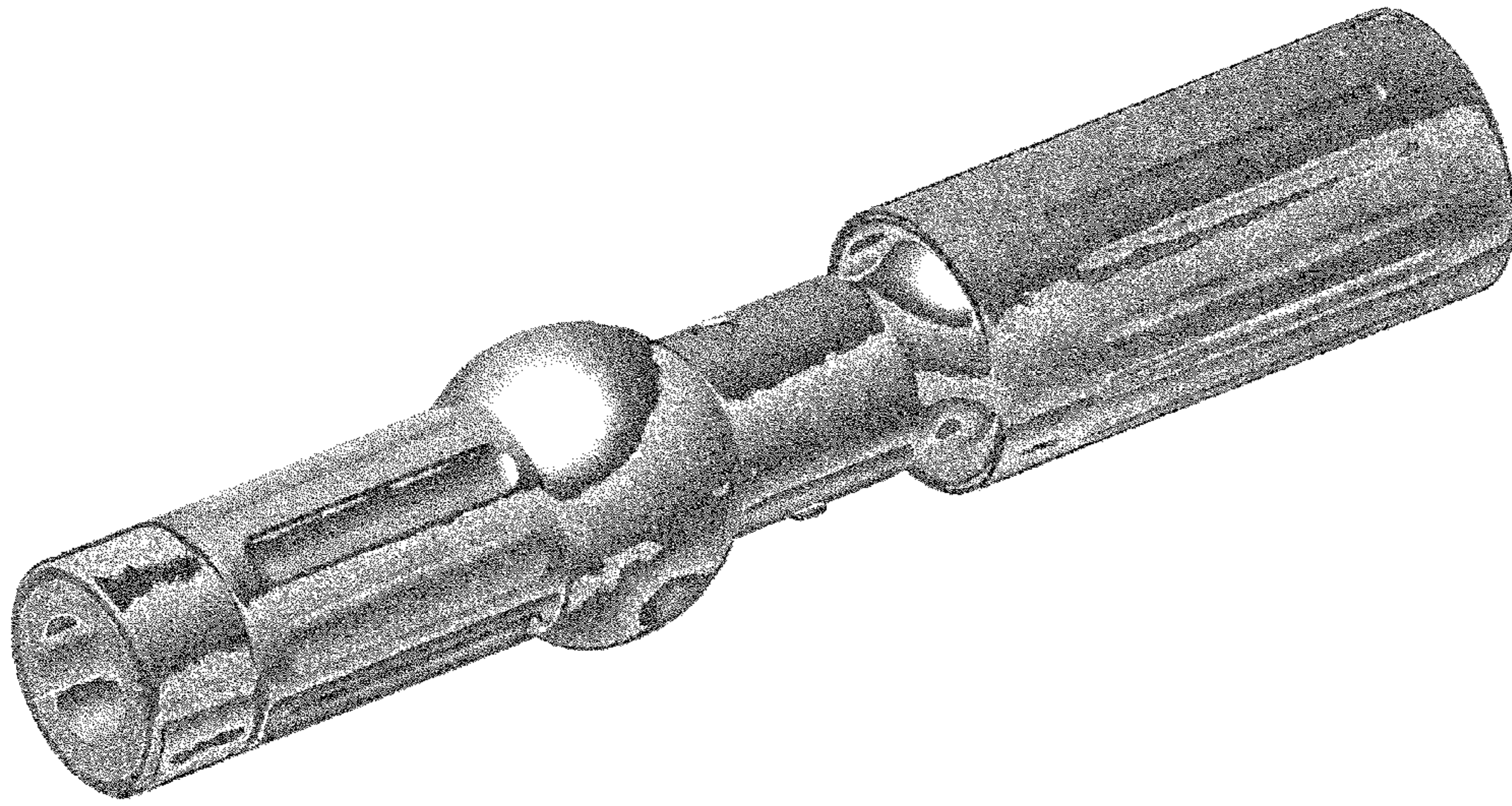


Fig. 1

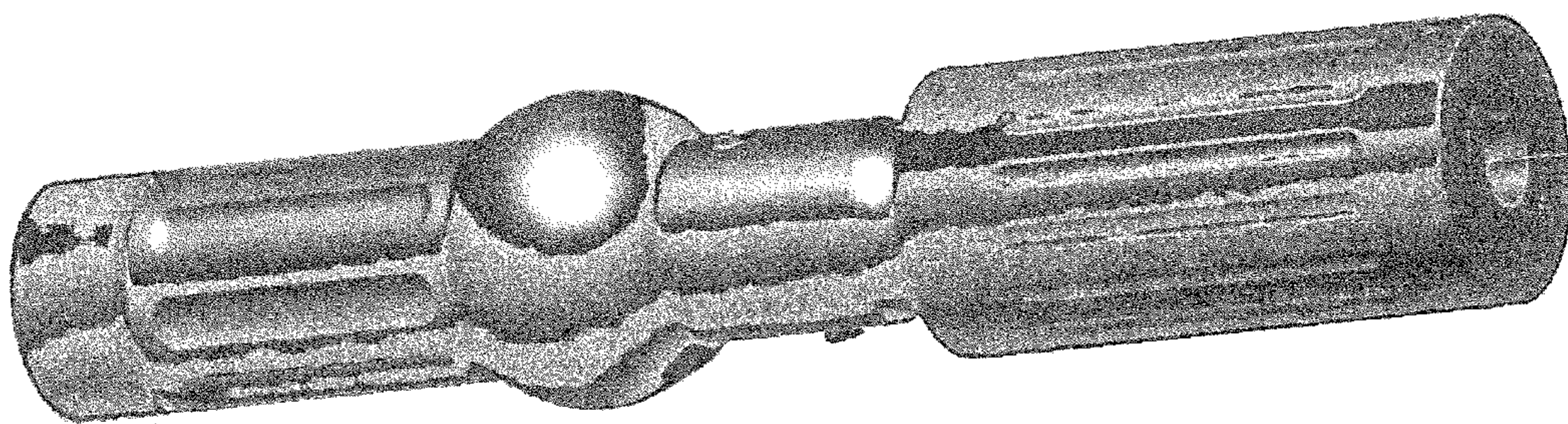


Fig. 2

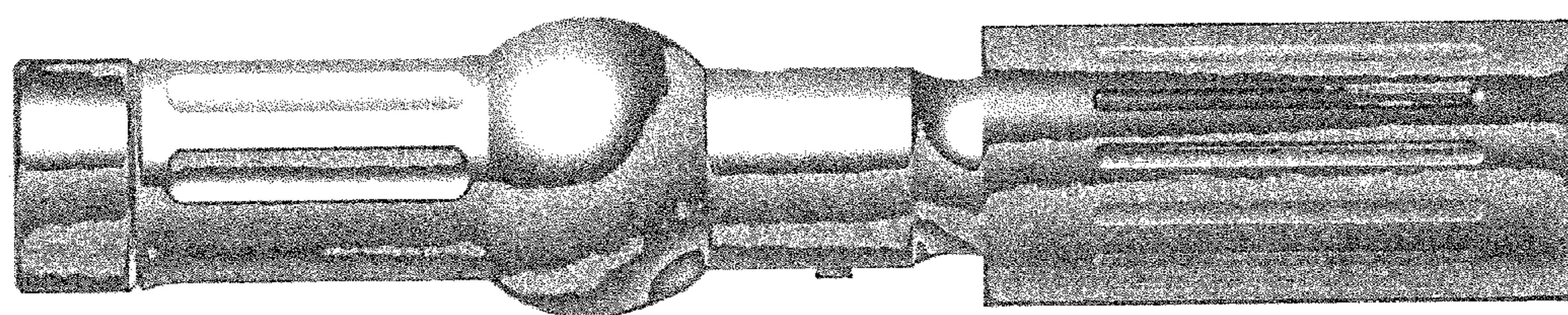


Fig. 3

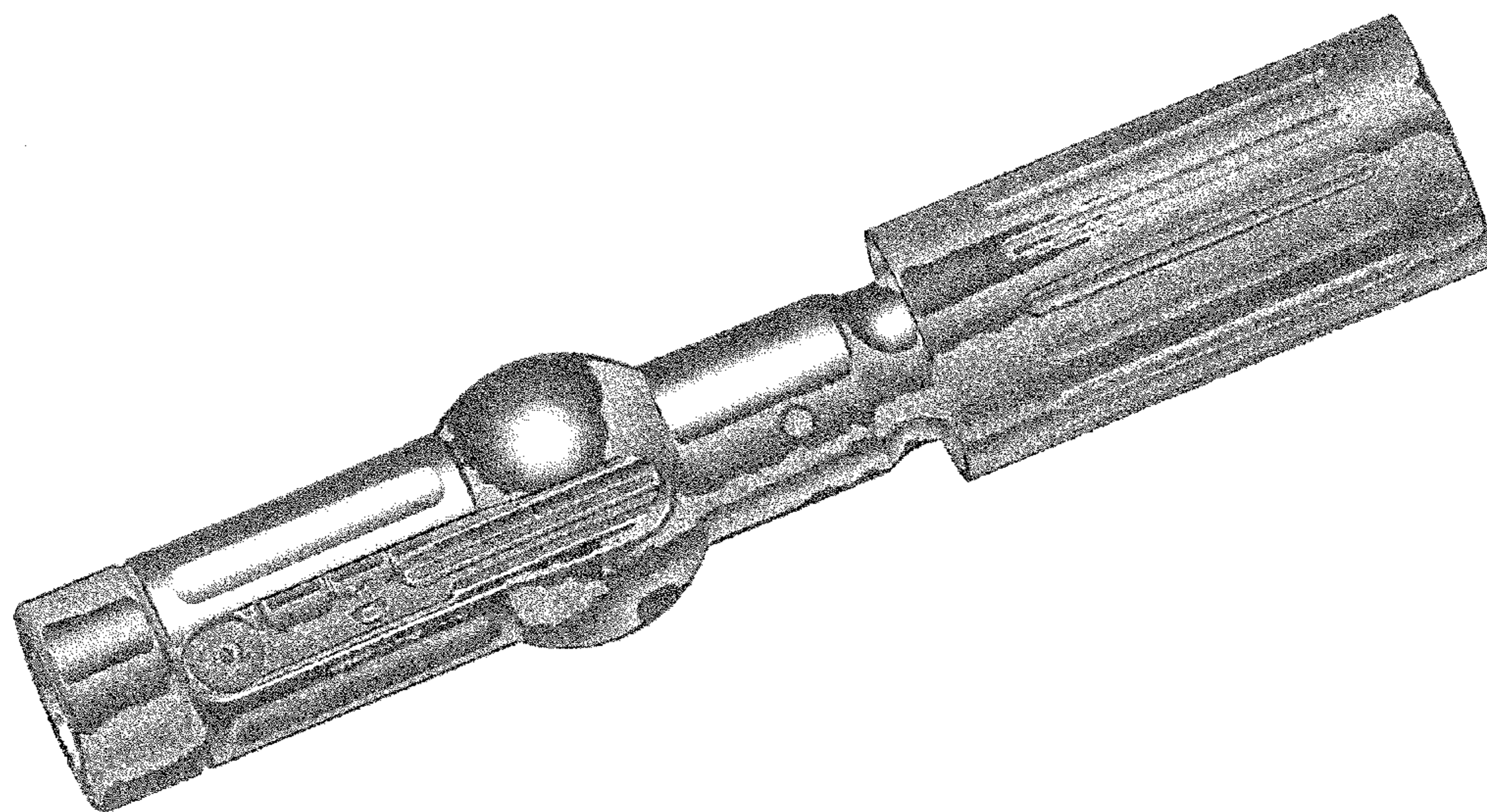


Fig. 4

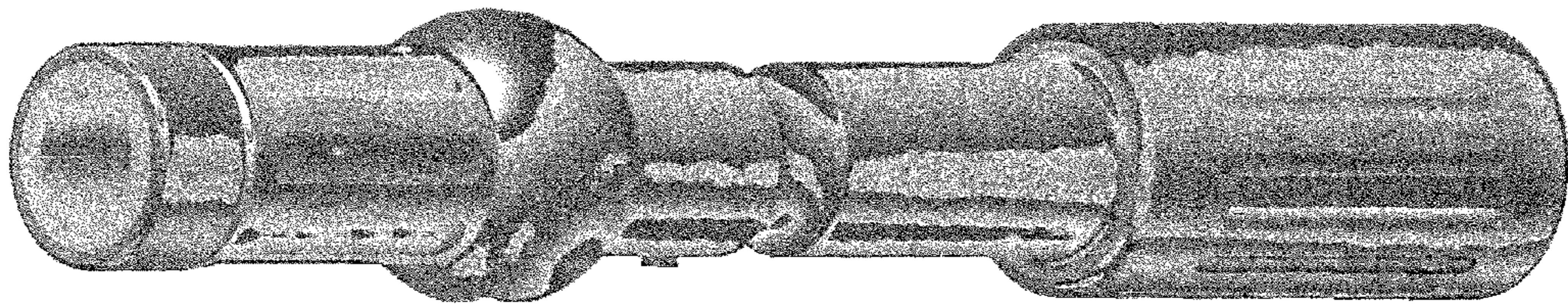


Fig. 5

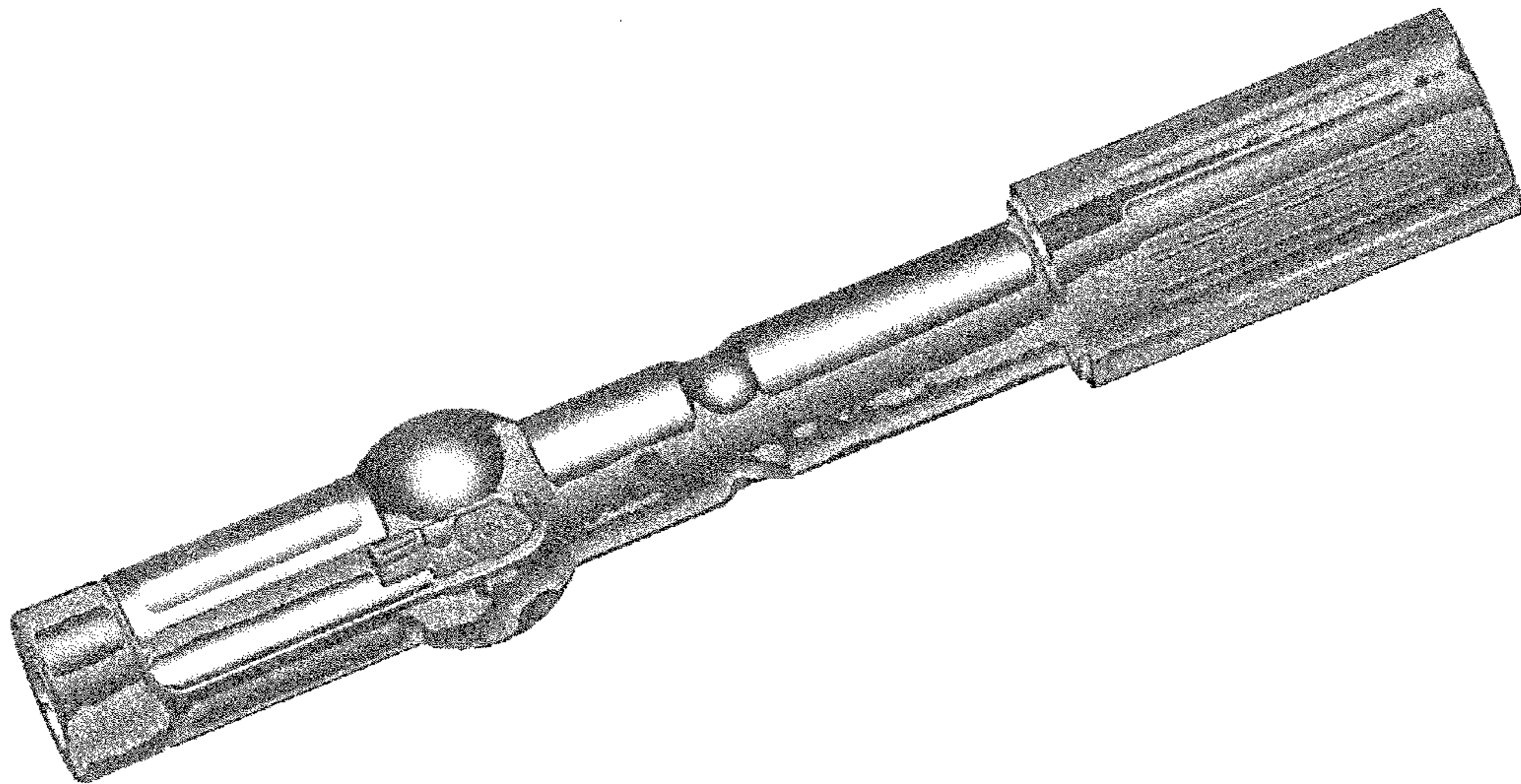


Fig. 6

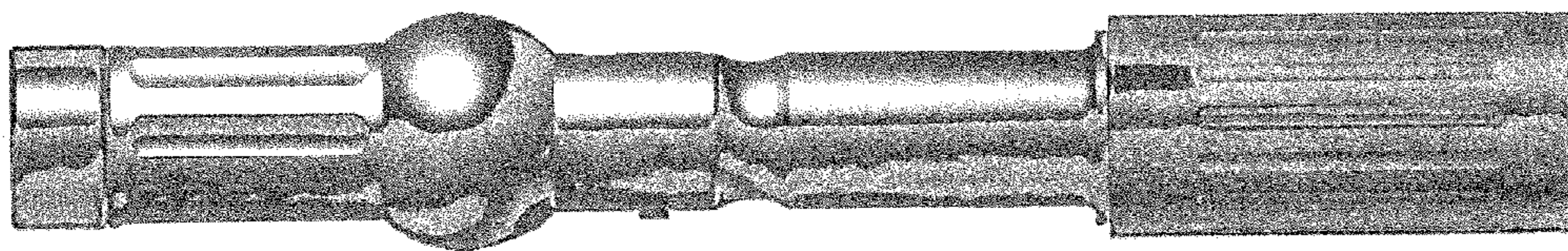


Fig. 7

UNITED STATES PATENT AND TRADEMARK OFFICE
CERTIFICATE OF CORRECTION

PATENT NO. : D686,321 S
APPLICATION NO. : 29/406164
DATED : July 16, 2013
INVENTOR(S) : Essinger et al.

Page 1 of 8

It is certified that error appears in the above-identified patent and that said Letters Patent is hereby corrected as shown below:

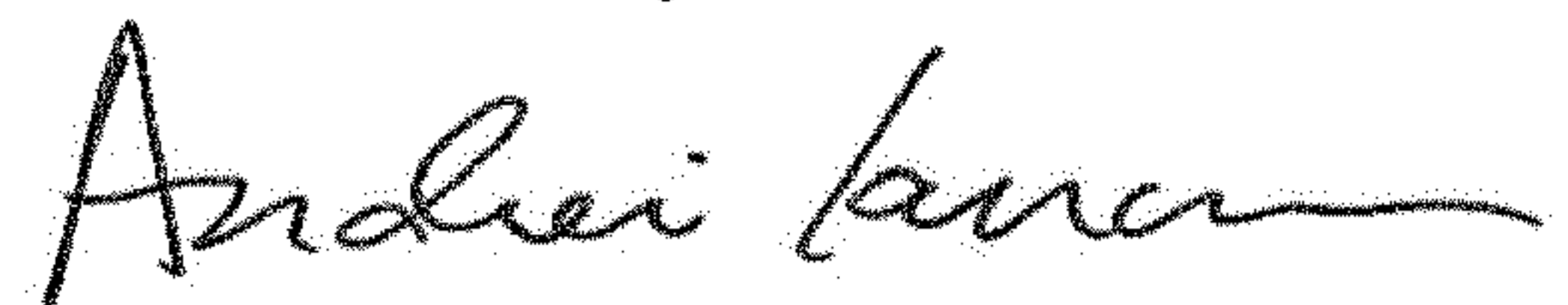
On the Title Page

Under Description, Insert --1 Claim, 7 Drawing Sheets--.

In the Drawings

Replace (7 pages) of figures 1-7.

Signed and Sealed this
Sixteenth Day of October, 2018



Andrei Iancu
Director of the United States Patent and Trademark Office

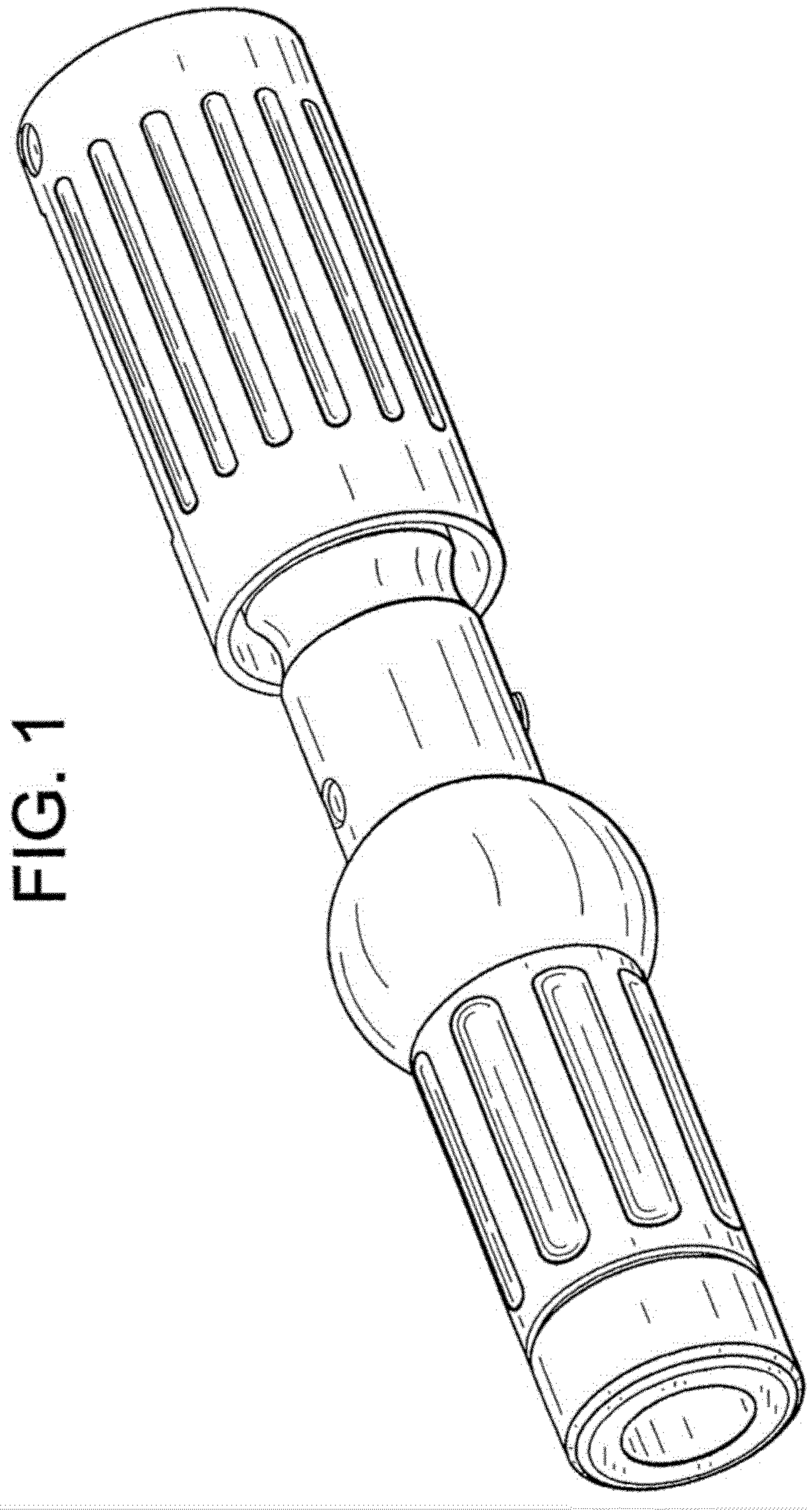


FIG. 1

FIG. 2

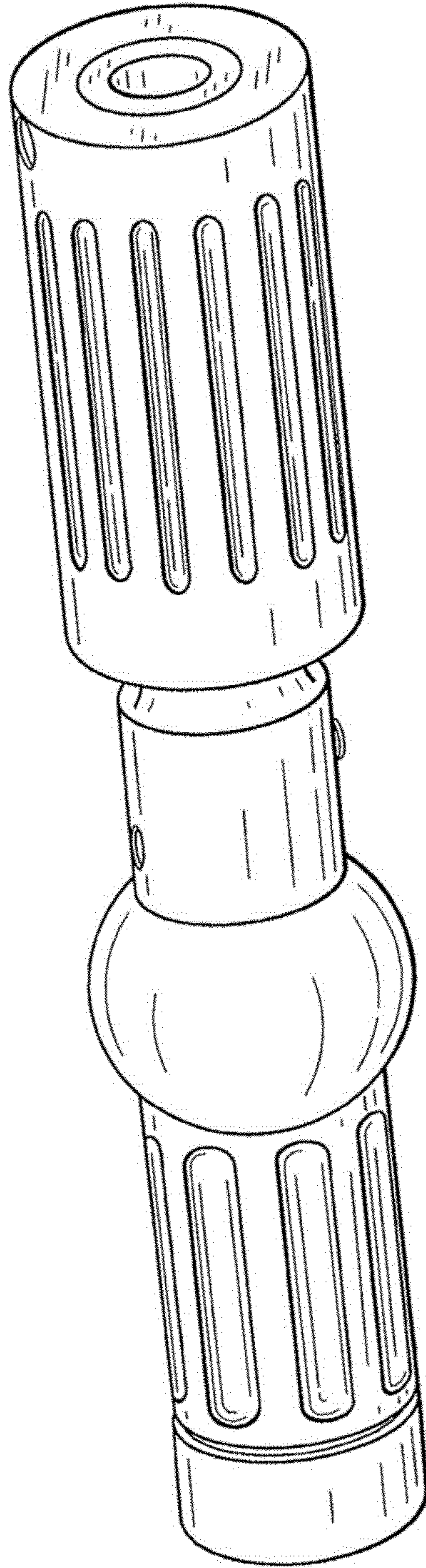
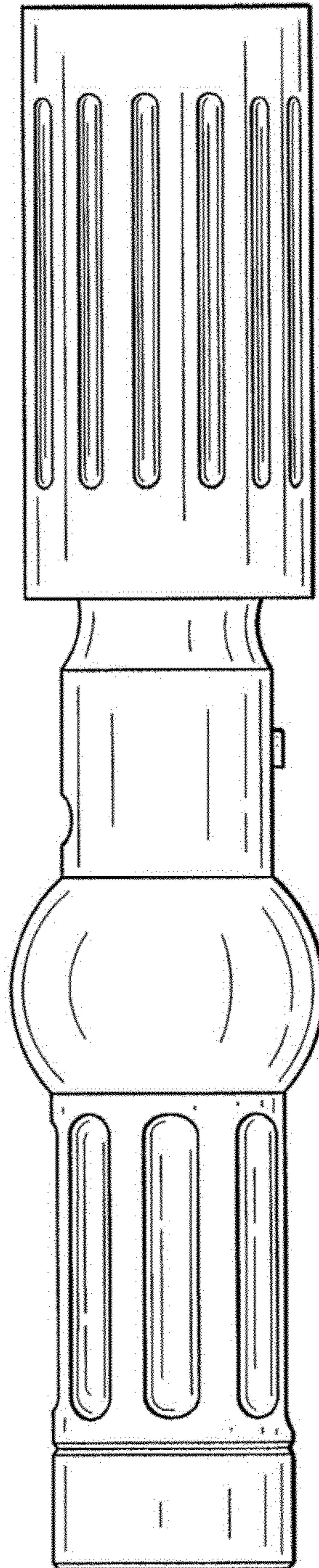


FIG. 3



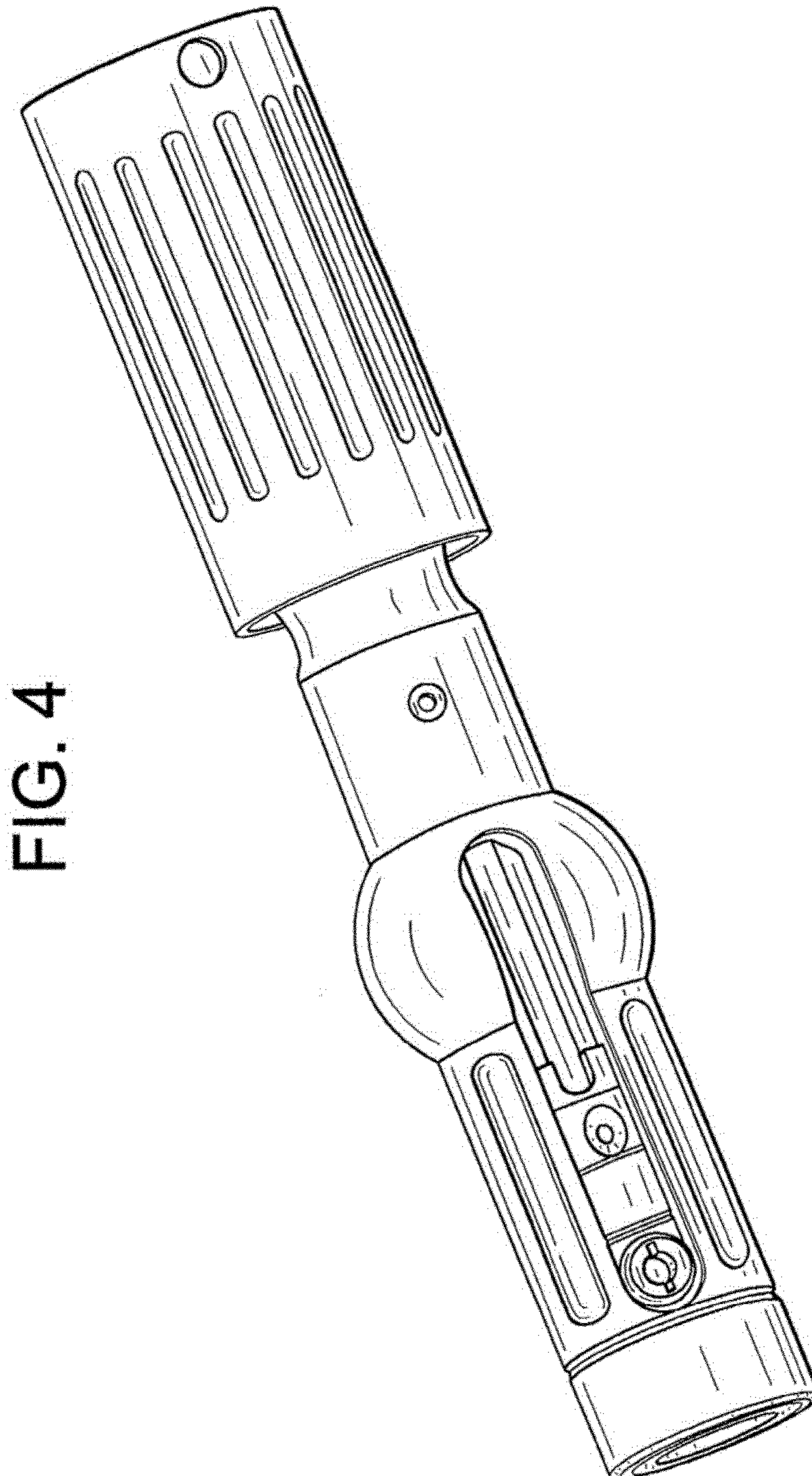
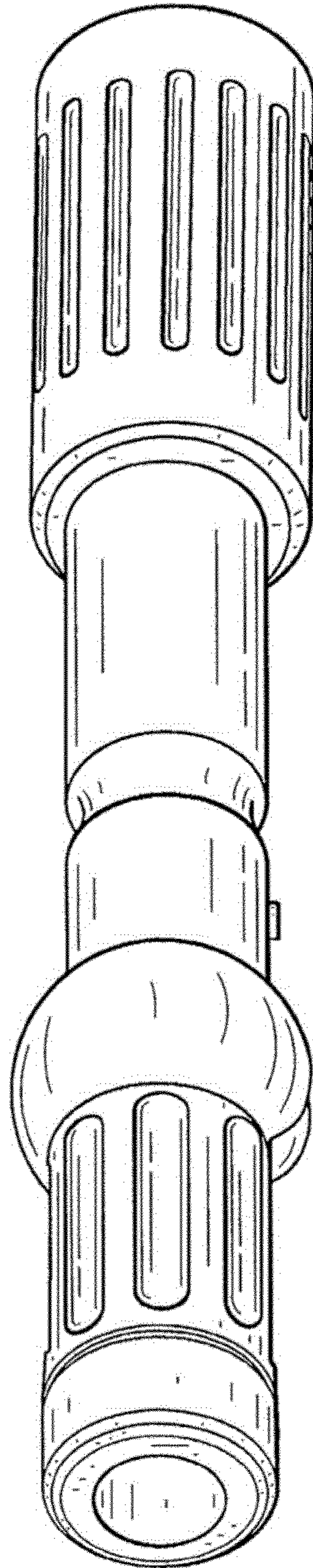


FIG. 4

FIG. 5



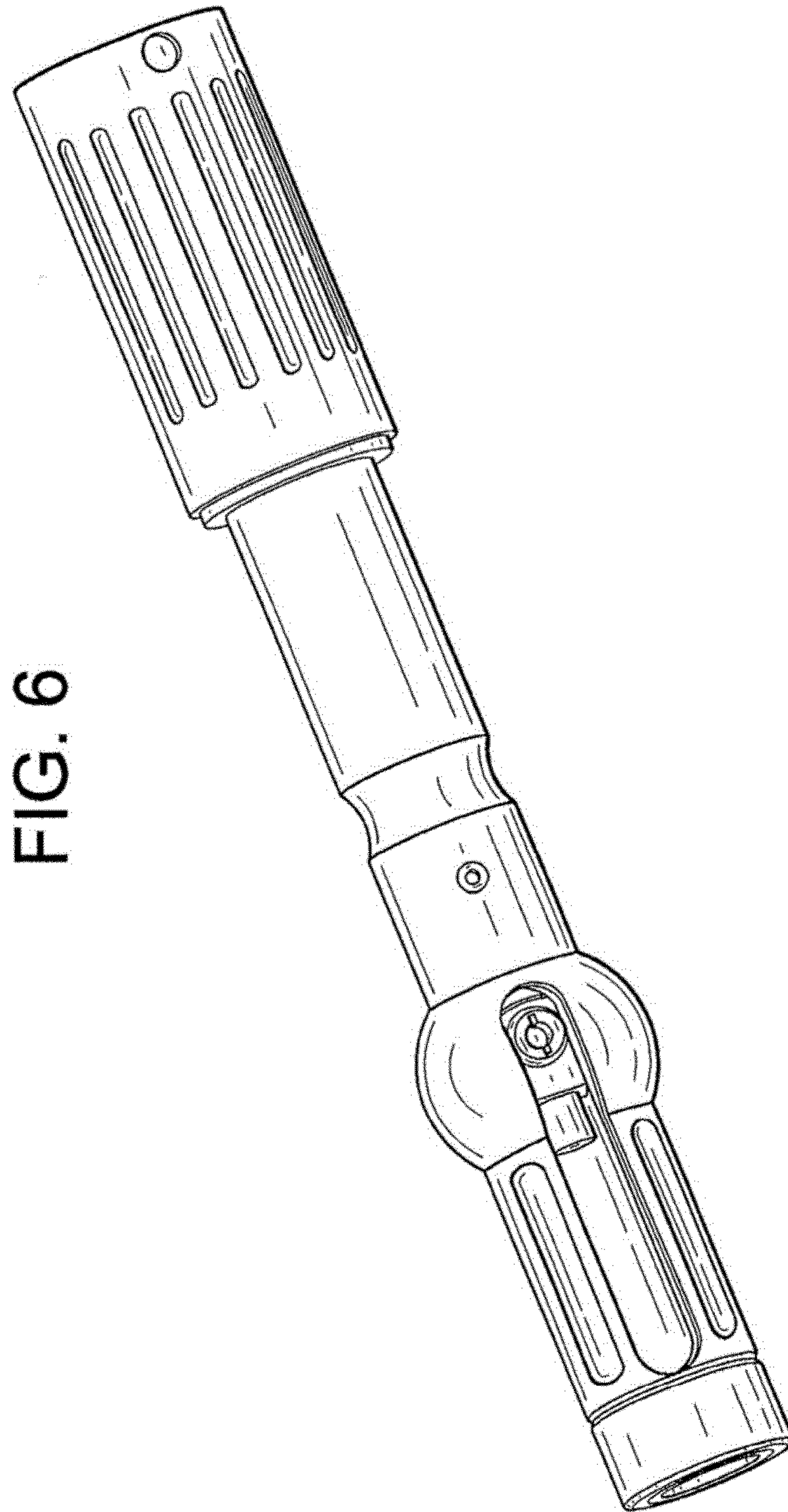


FIG. 6

FIG. 7

