



US00D686316S

(12) **United States Design Patent**  
**Baid**

(10) **Patent No.:** **US D686,316 S**  
(45) **Date of Patent:** **\*\* Jul. 16, 2013**

(54) **SAFETY WINGED BLOOD COLLECTION SET**

(75) Inventor: **Rishi Baid**, New Delhi (IN)

(73) Assignee: **Poly Medicure Limited**, Faridabad (IN)

(\*\*) Term: **14 Years**

(21) Appl. No.: **29/394,158**

(22) Filed: **Jun. 14, 2011**

(30) **Foreign Application Priority Data**

Dec. 14, 2010 (IN) ..... 233230

(51) **LOC (9) Cl.** ..... **24-02**

(52) **U.S. Cl.**  
USPC ..... **D24/112**

(58) **Field of Classification Search**  
USPC . D24/108, 112-114, 127, 130, 186; 600/121,  
600/139, 101; 604/164.01-164.05,  
164.07-164.08, 162, 165.03, 165.04, 171,  
604/177, 192, 198, 48, 93.01, 187, 263, 264,  
604/533-534  
See application file for complete search history.

(56) **References Cited**

**U.S. PATENT DOCUMENTS**

3,064,648	A *	11/1962	Bujan	.....	604/177
4,627,842	A *	12/1986	Katz	.....	604/177
5,304,144	A *	4/1994	Brimhall	.....	604/177
6,835,190	B2 *	12/2004	Nguyen	.....	604/198
7,060,055	B2 *	6/2006	Wilkinson et al.	.....	604/263
7,112,190	B2 *	9/2006	Bressler et al.	.....	604/263

7,144,388	B2 *	12/2006	Crawford	.....	604/192
7,578,805	B2 *	8/2009	Hwang	.....	604/192
7,678,076	B2 *	3/2010	Crawford	.....	604/164.01
2003/0220619	A1 *	11/2003	Polidoro et al.	.....	604/263
2010/0082002	A1 *	4/2010	Baid	.....	604/263
2012/0232500	A1 *	9/2012	Baid	.....	604/263

**OTHER PUBLICATIONS**

VACUETTE® Safety Blood Collection Set, 21Gx7.5" Tubing.  
[Retrieved on Oct. 10, 2012]. Retrieved from the Internet: <URL:  
[http://www.blockscientificstore.com/VACUETTE-Safety-Blood-Collection-Set-p/450091 . . .](http://www.blockscientificstore.com/VACUETTE-Safety-Blood-Collection-Set-p/450091...)>.\*

\* cited by examiner

*Primary Examiner* — Wan Laymon

(74) *Attorney, Agent, or Firm* — Pearne & Gordon LLP

(57) **CLAIM**

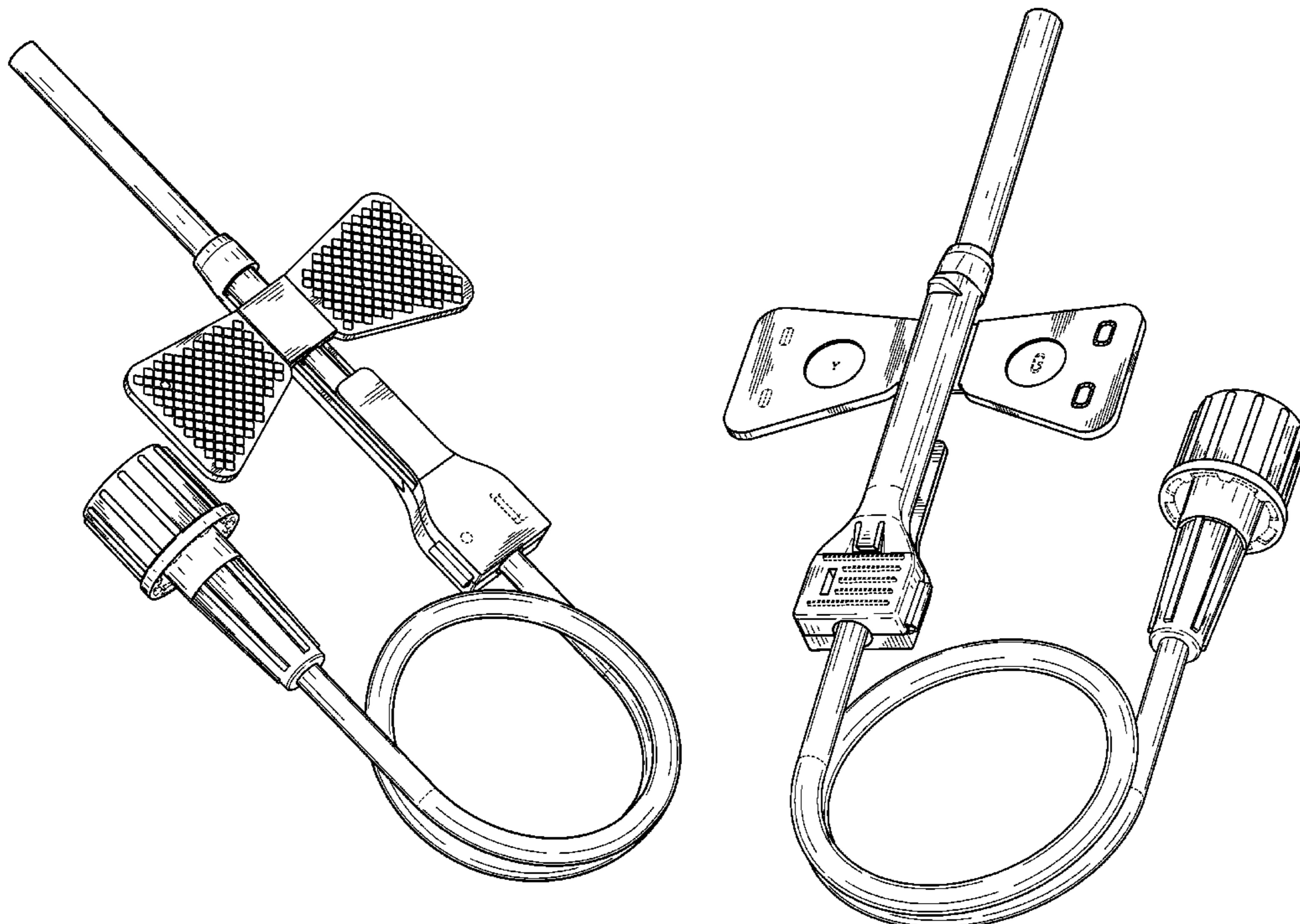
The ornamental design for a safety winged blood collection set, as shown and described.

**DESCRIPTION**

FIG. 1 is a back perspective view of safety winged blood collection set showing my new design;  
FIG. 2 is a back view thereof;  
FIG. 3 is a bottom view thereof;  
FIG. 4 is a front perspective view thereof;  
FIG. 5 is a front view thereof;  
FIG. 6 is a left side view thereof;  
FIG. 7 is a right side view thereof; and,  
FIG. 8 is a top view thereof.

The broken lines depict environmental subject matter only and form no part of the claimed design.

**1 Claim, 8 Drawing Sheets**



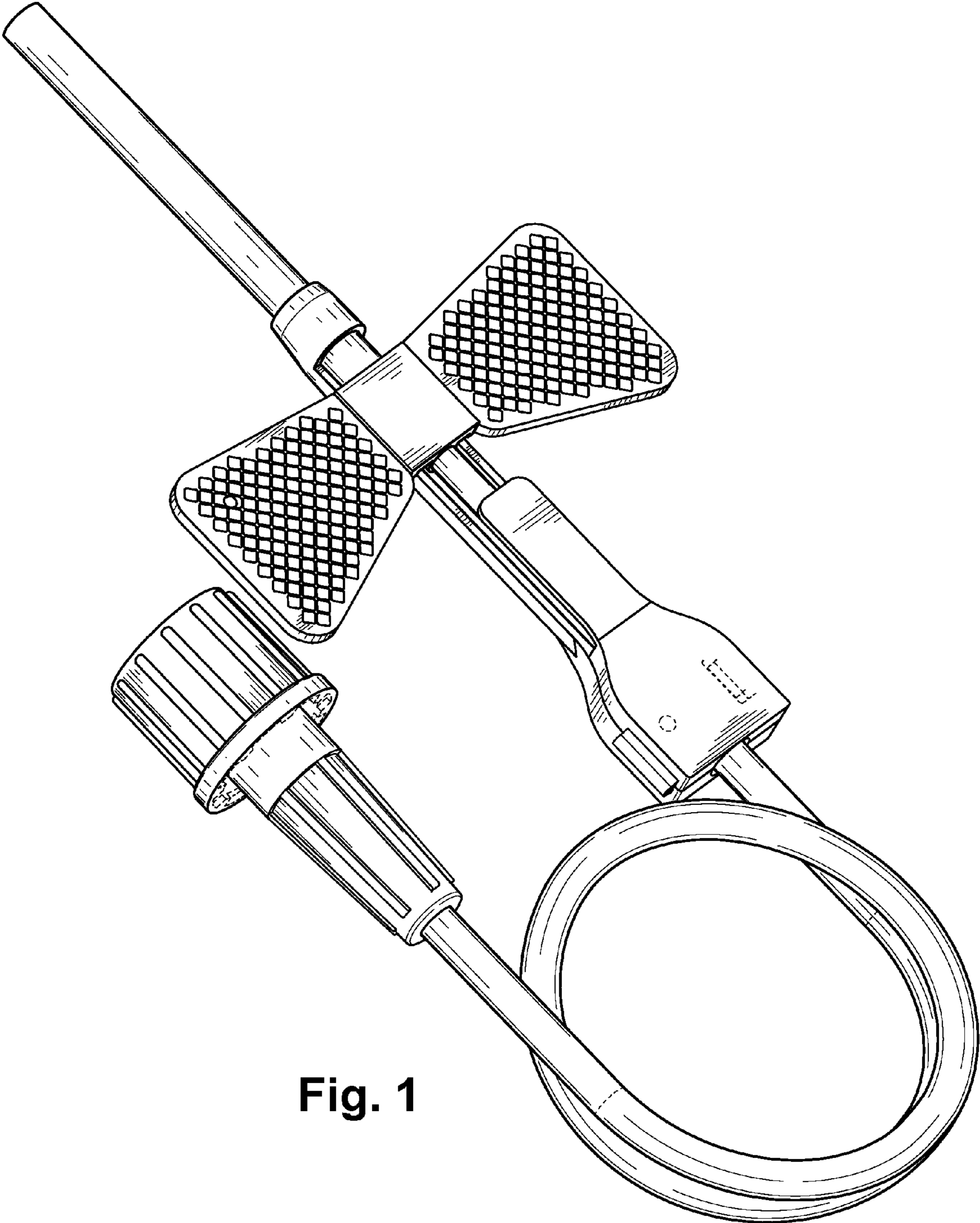


Fig. 1

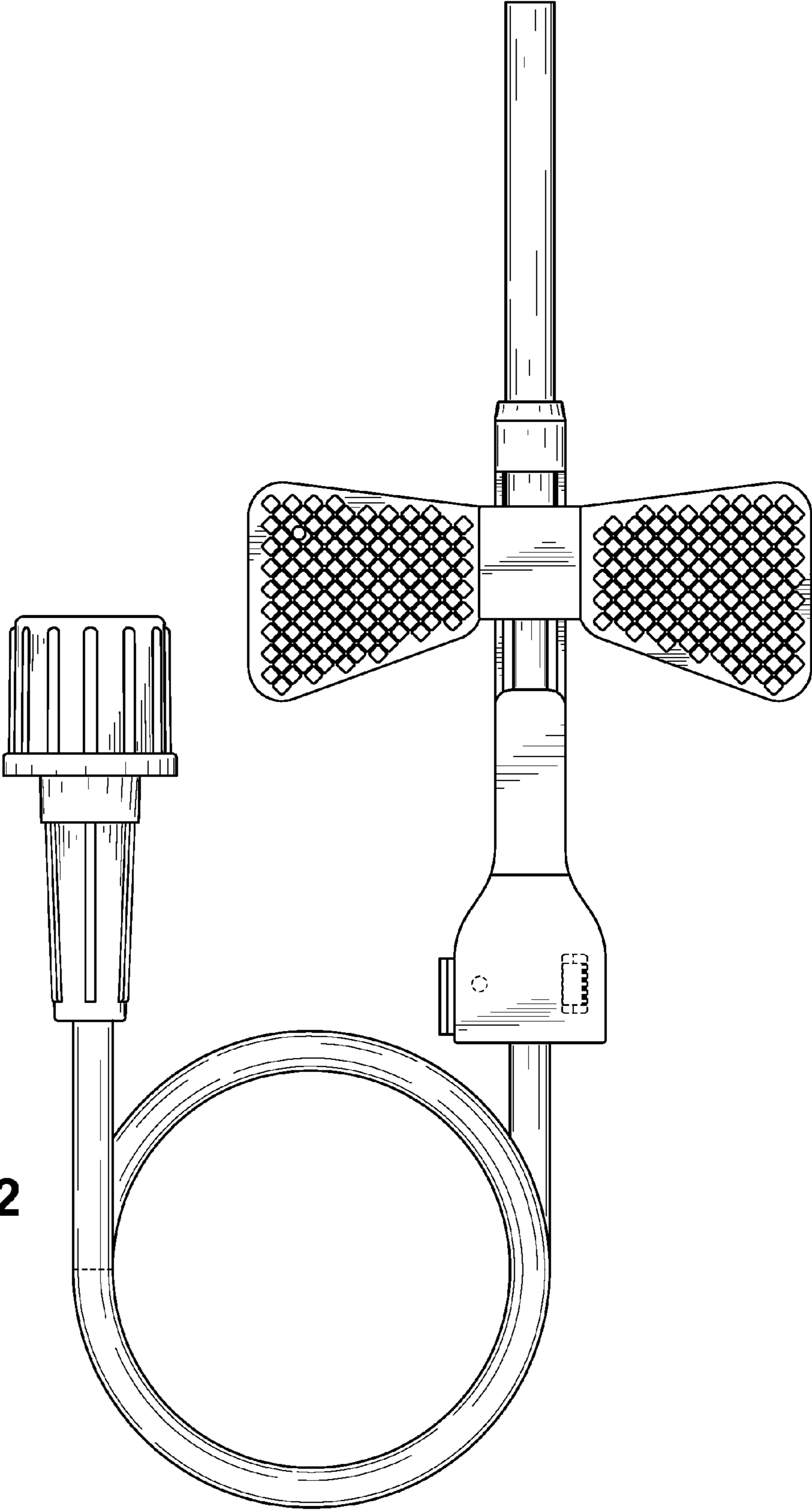


Fig. 2

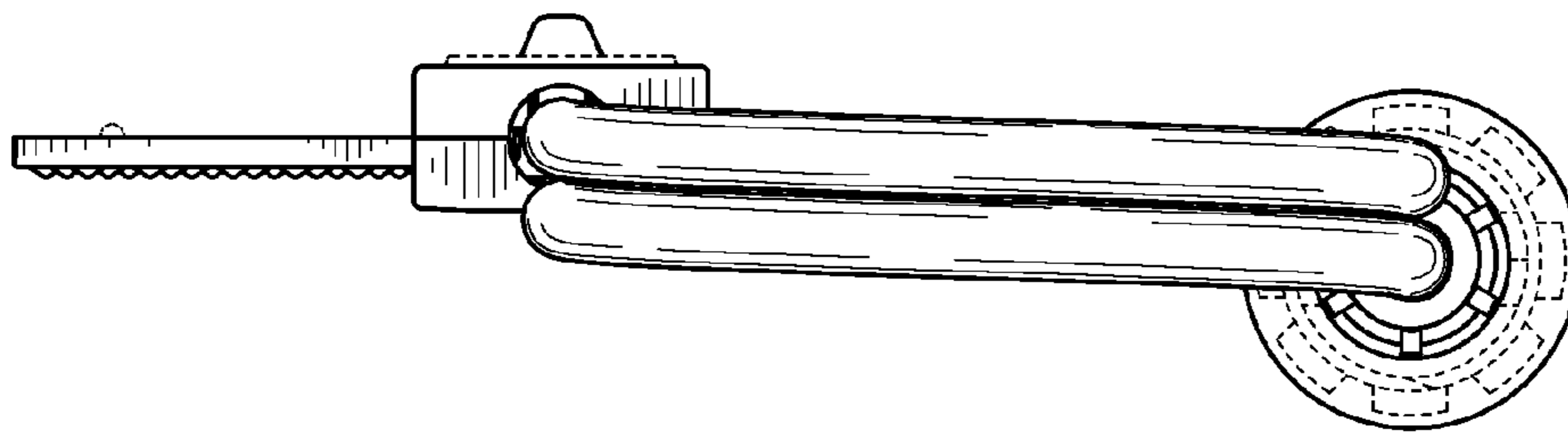


Fig. 3

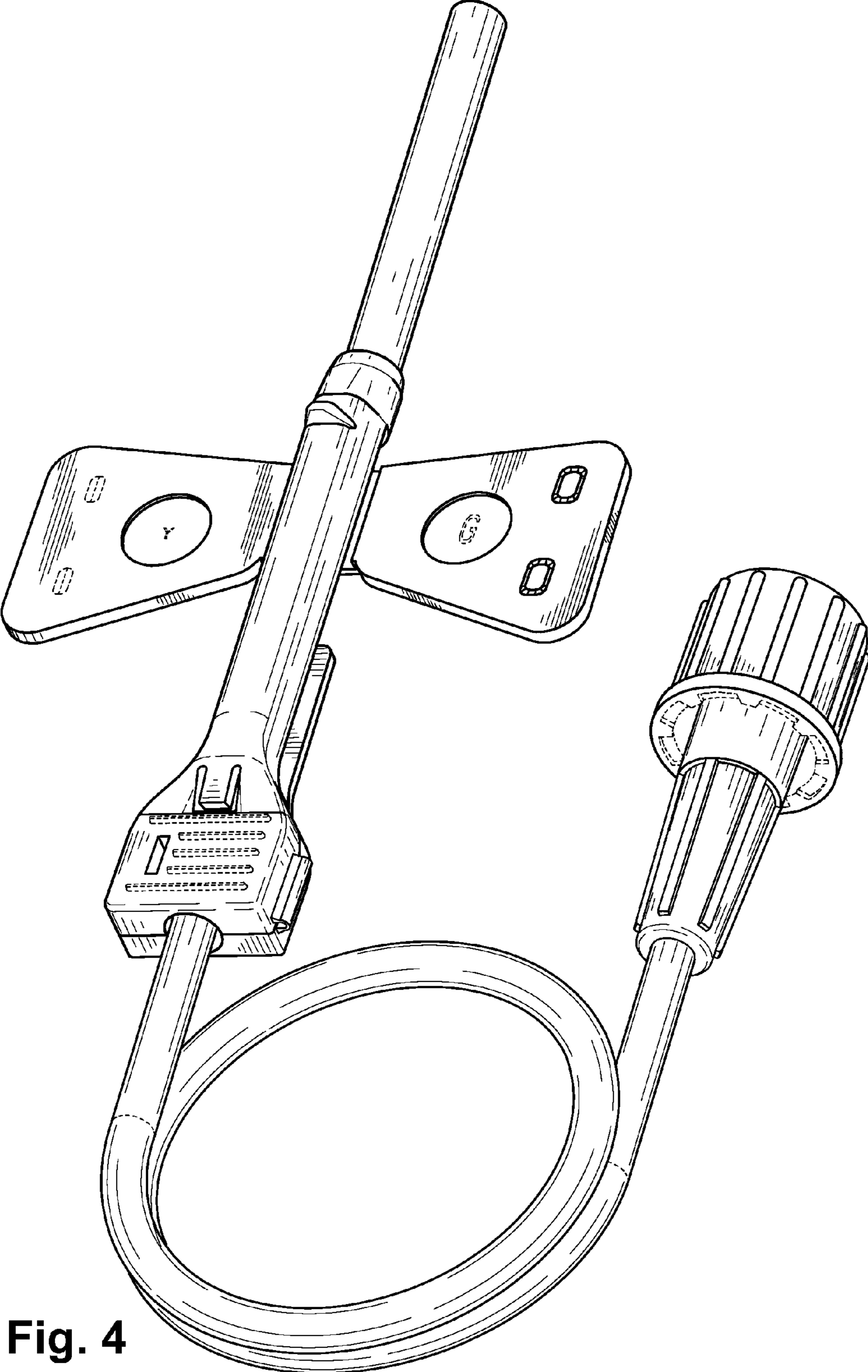


Fig. 4

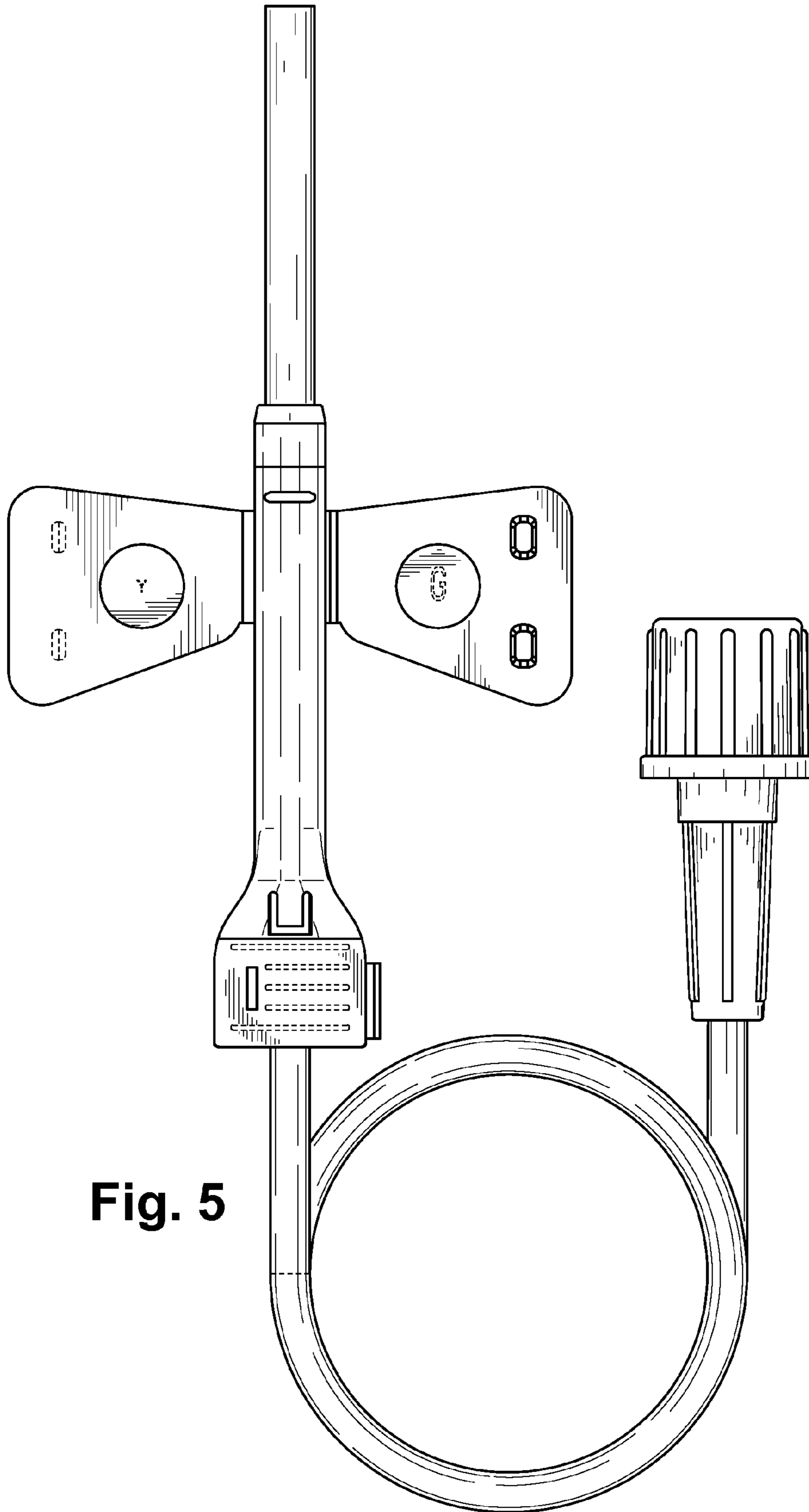
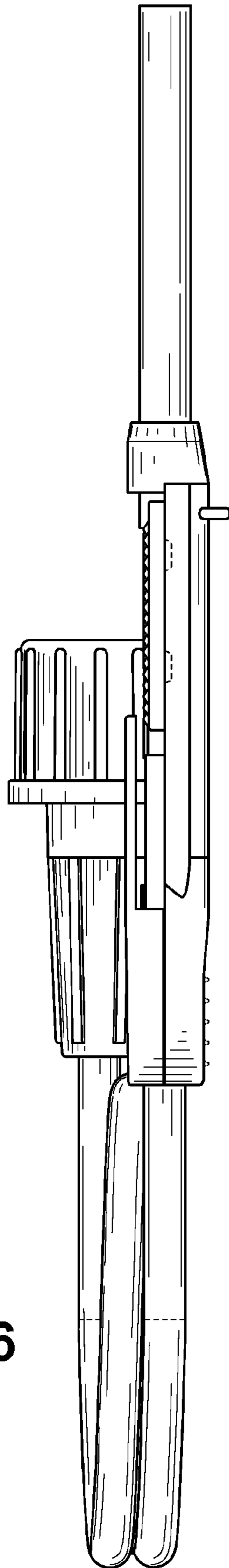
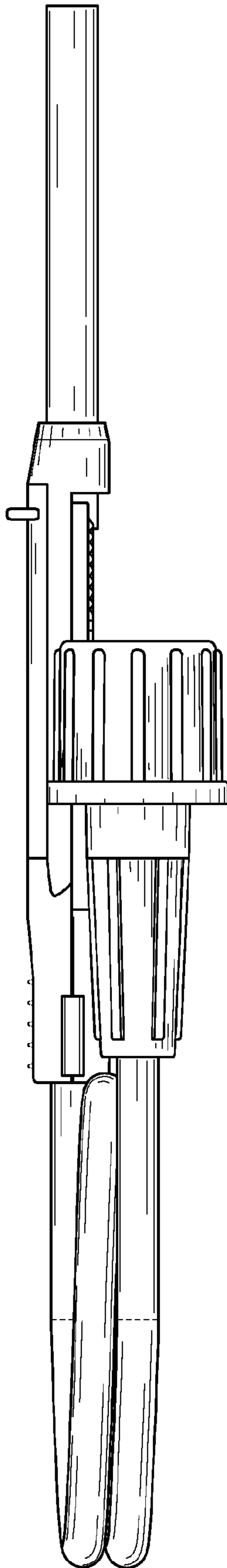


Fig. 5

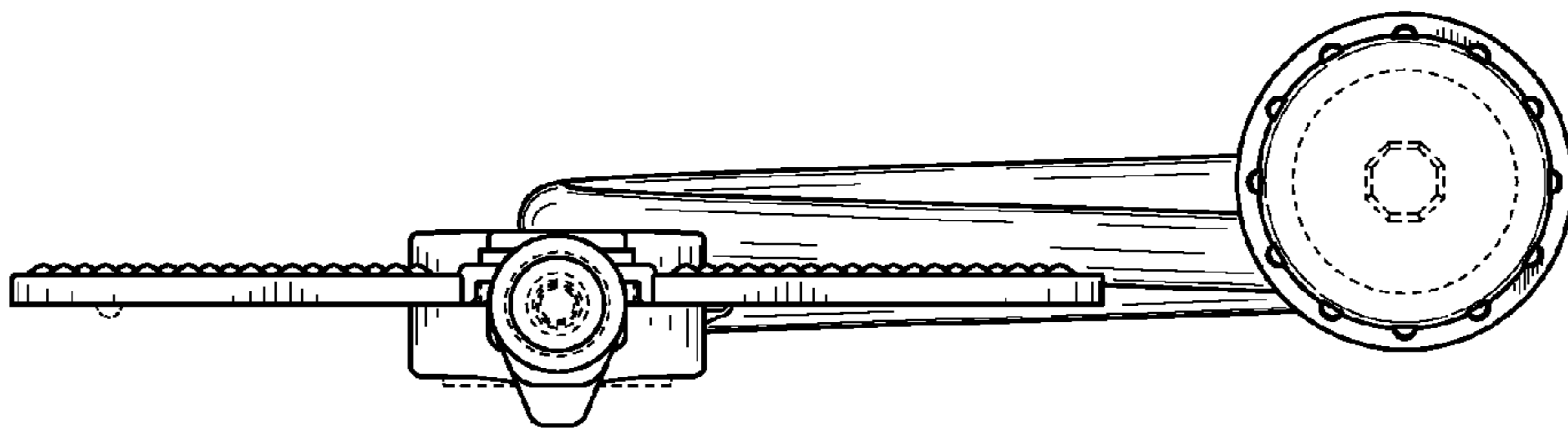


**Fig. 6**



**Fig. 7**





**Fig. 8**