



US00D686312S

(12) **United States Design Patent**  
**Allsop**

(10) **Patent No.:** **US D686,312 S**  
(45) **Date of Patent:** **\*\* Jul. 16, 2013**

(54) **INHALER**  
(75) Inventor: **Paul Allsop**, King's Lynn (GB)  
(73) Assignee: **Consort Medical PLC** (GB)  
(\*\*) Term: **14 Years**  
(21) Appl. No.: **29/423,098**  
(22) Filed: **May 29, 2012**

(30) **Foreign Application Priority Data**

Dec. 1, 2011 (EM) ..... 001956566-0001  
(51) **LOC (9) Cl.** ..... **29-02**  
(52) **U.S. Cl.**  
USPC ..... **D24/110**  
(58) **Field of Classification Search**  
USPC ..... D24/108, 110, 113, 115, 164; D9/549,  
D9/558, 571, 724; 128/200.14, 200.21, 200.23,  
128/203.15, 203.21, 203.23; 222/162  
See application file for complete search history.

(56) **References Cited**

U.S. PATENT DOCUMENTS  
D384,881 S \* 10/1997 Uhl et al. .... D9/694  
D414,261 S \* 9/1999 Ritsche ..... D24/110  
D504,068 S \* 4/2005 Thuillier et al. .... D9/520

D518,730 S \* 4/2006 Caserta et al. .... D9/522  
D526,902 S \* 8/2006 Cummings ..... D9/558  
D535,022 S 1/2007 Davies  
D544,956 S \* 6/2007 Collins et al. .... D24/110  
D573,251 S \* 7/2008 Pentafragas ..... D24/110  
2005/0098172 A1 5/2005 Anderson

**FOREIGN PATENT DOCUMENTS**

EM 001836941-0001 3/2011

\* cited by examiner

*Primary Examiner* — Ian Simmons  
*Assistant Examiner* — Richelle Shelton  
(74) *Attorney, Agent, or Firm* — Saidman DesignLaw Group

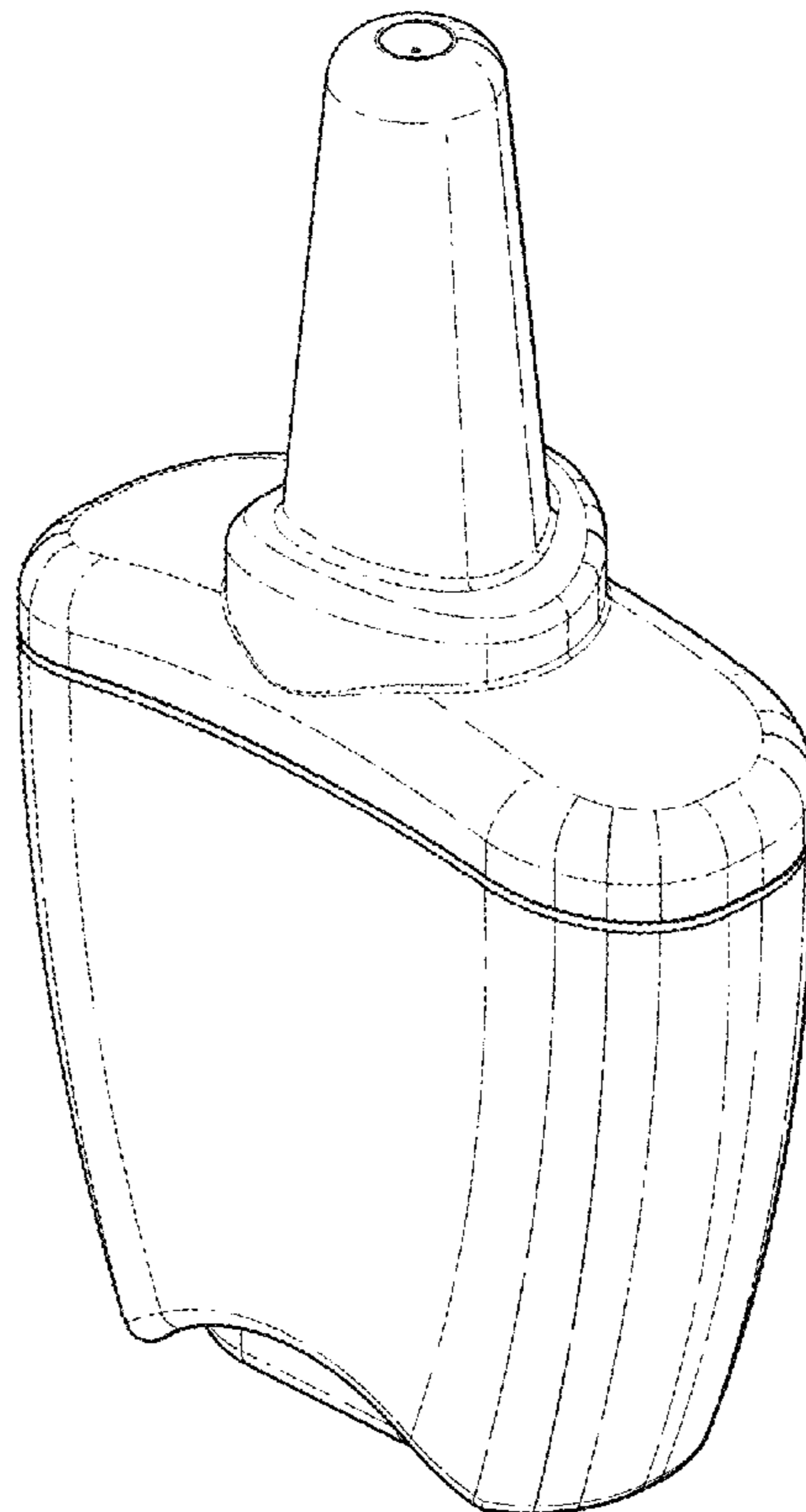
(57) **CLAIM**

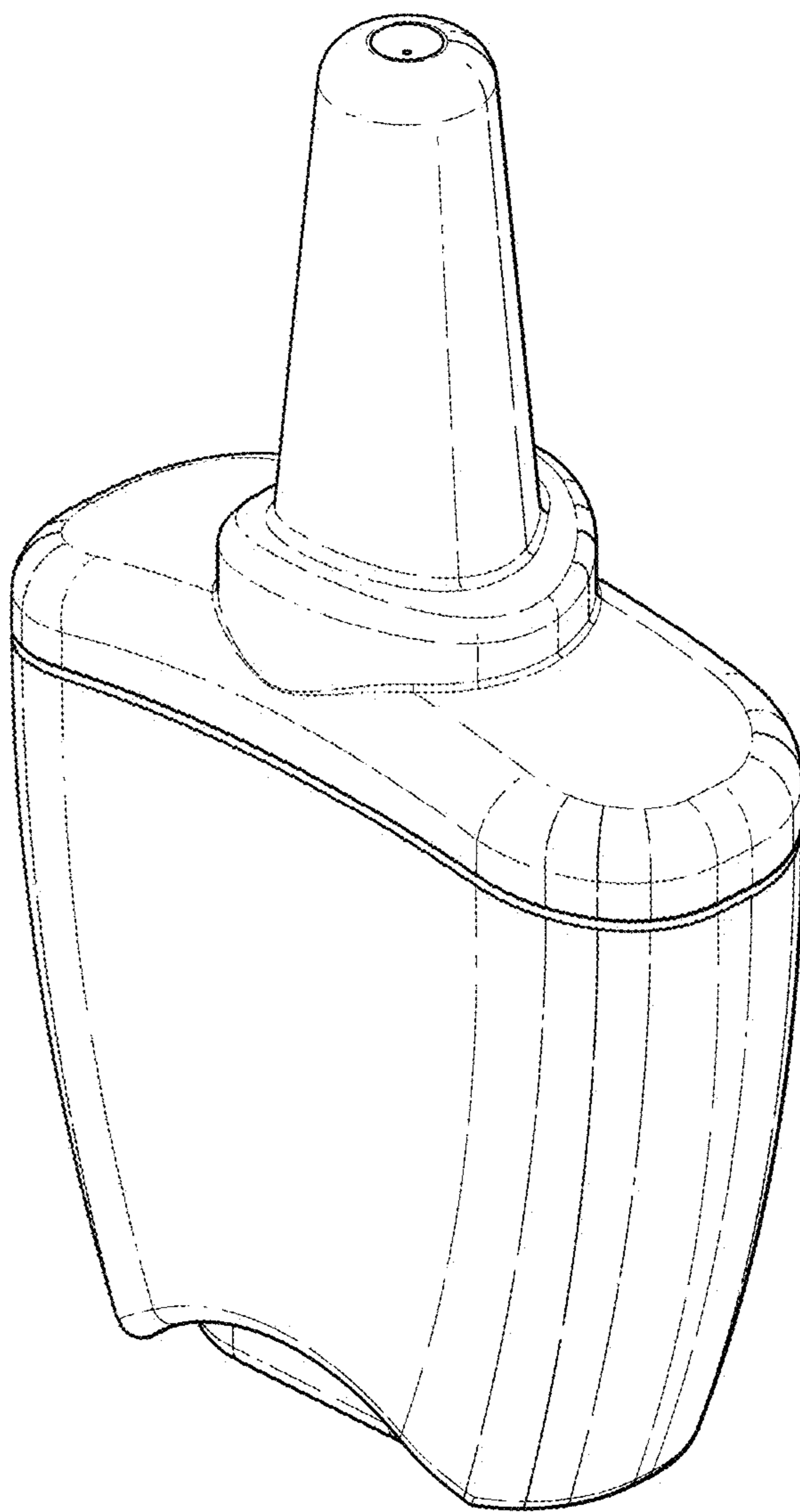
The ornamental design for an inhaler, as shown and described.

**DESCRIPTION**

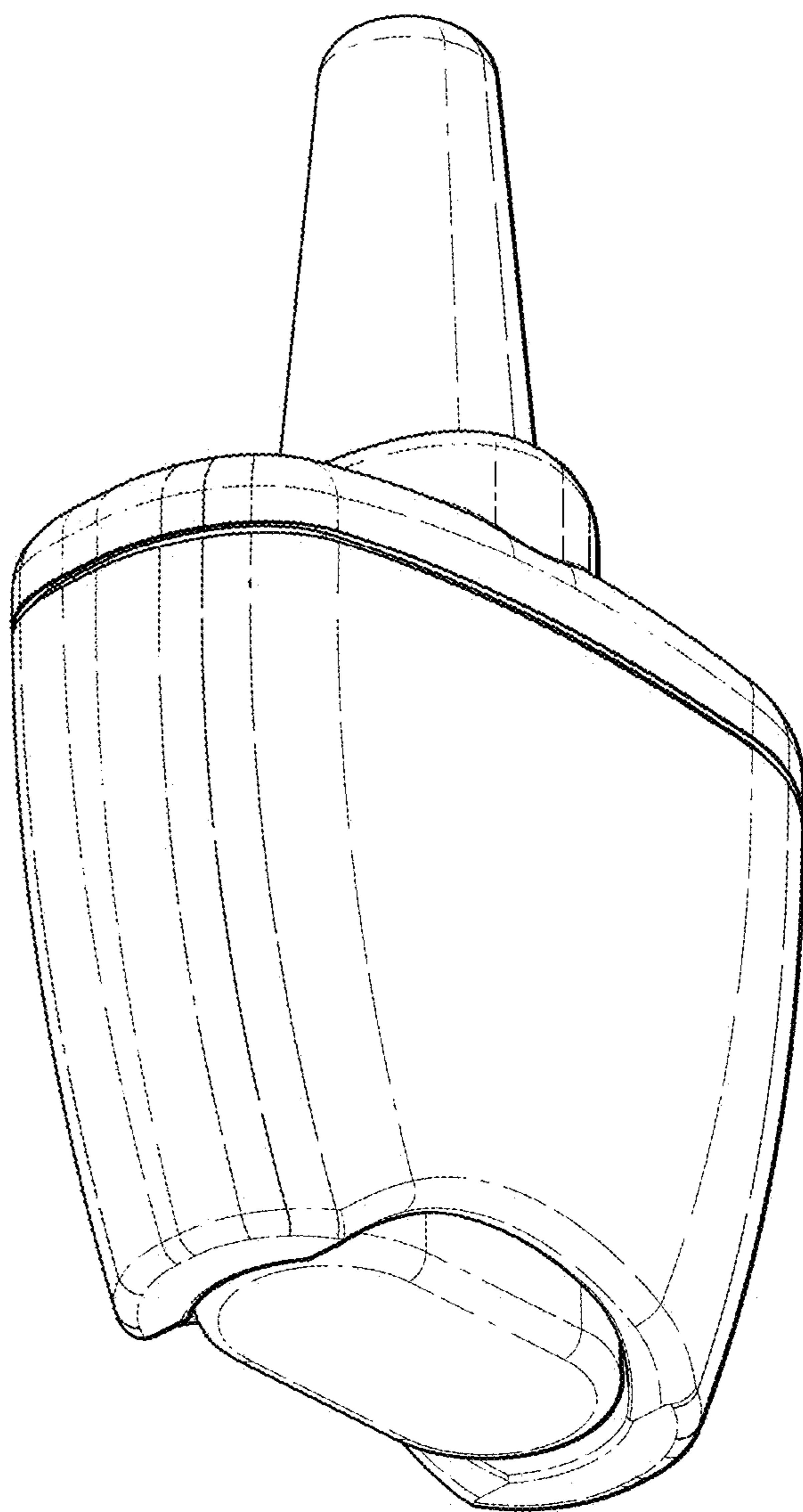
FIG. 1 is a top perspective view of an inhaler showing my new design;  
FIG. 2 is a bottom perspective view thereof;  
FIG. 3 is a front view thereof, the rear view being identical;  
FIG. 4 is a left side view thereof, the right side view being identical;  
FIG. 5 is a top view thereof; and,  
FIG. 6 is a bottom view thereof.  
The relatively light unevenly broken lines represent contour, not surface decoration.

**1 Claim, 5 Drawing Sheets**

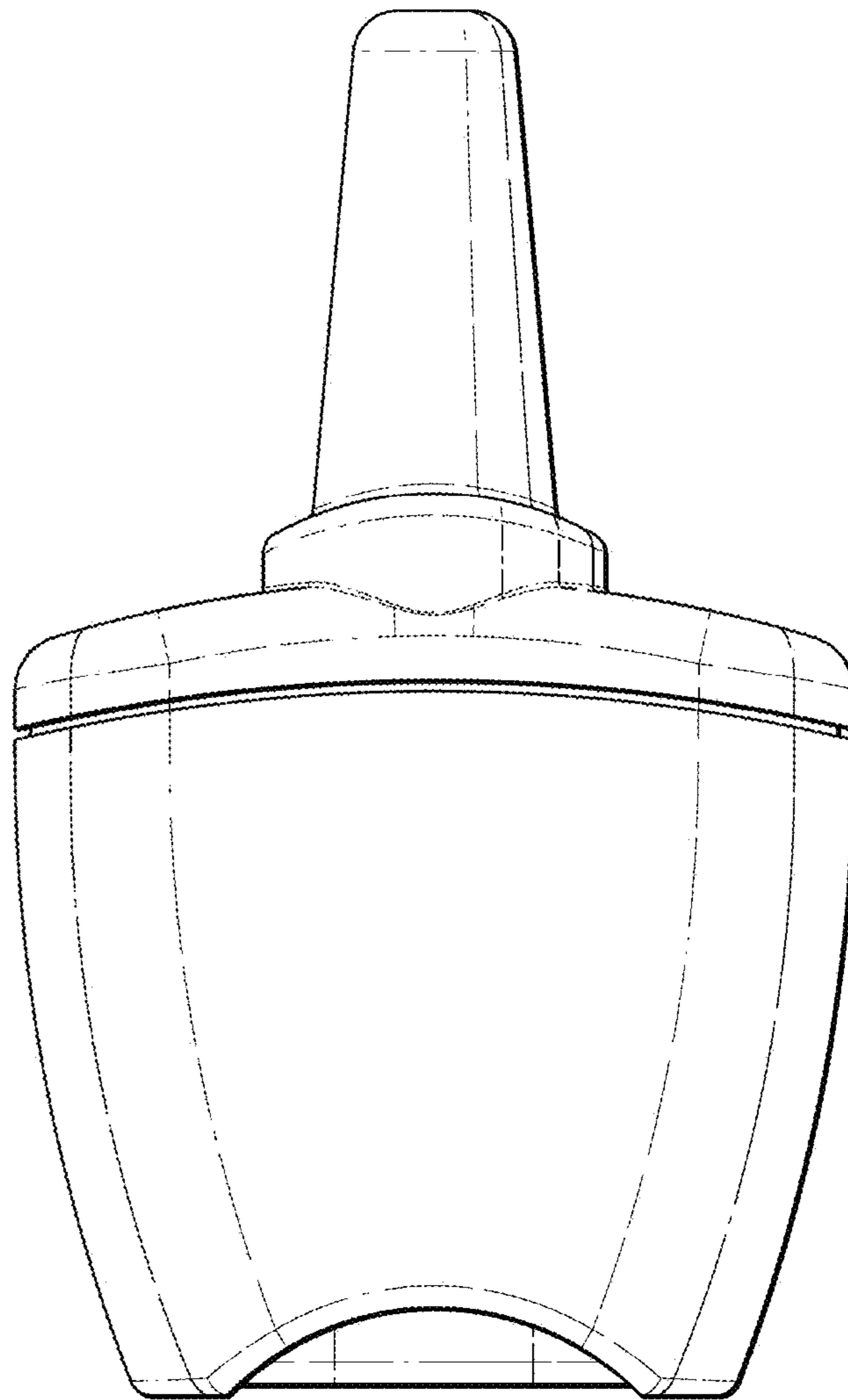




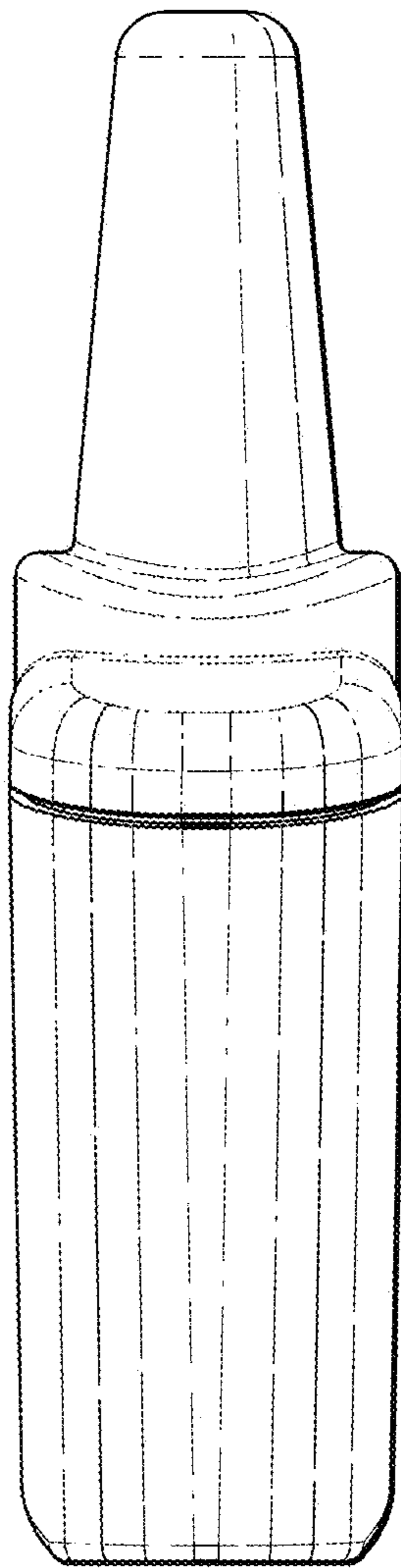
**FIG. 1**



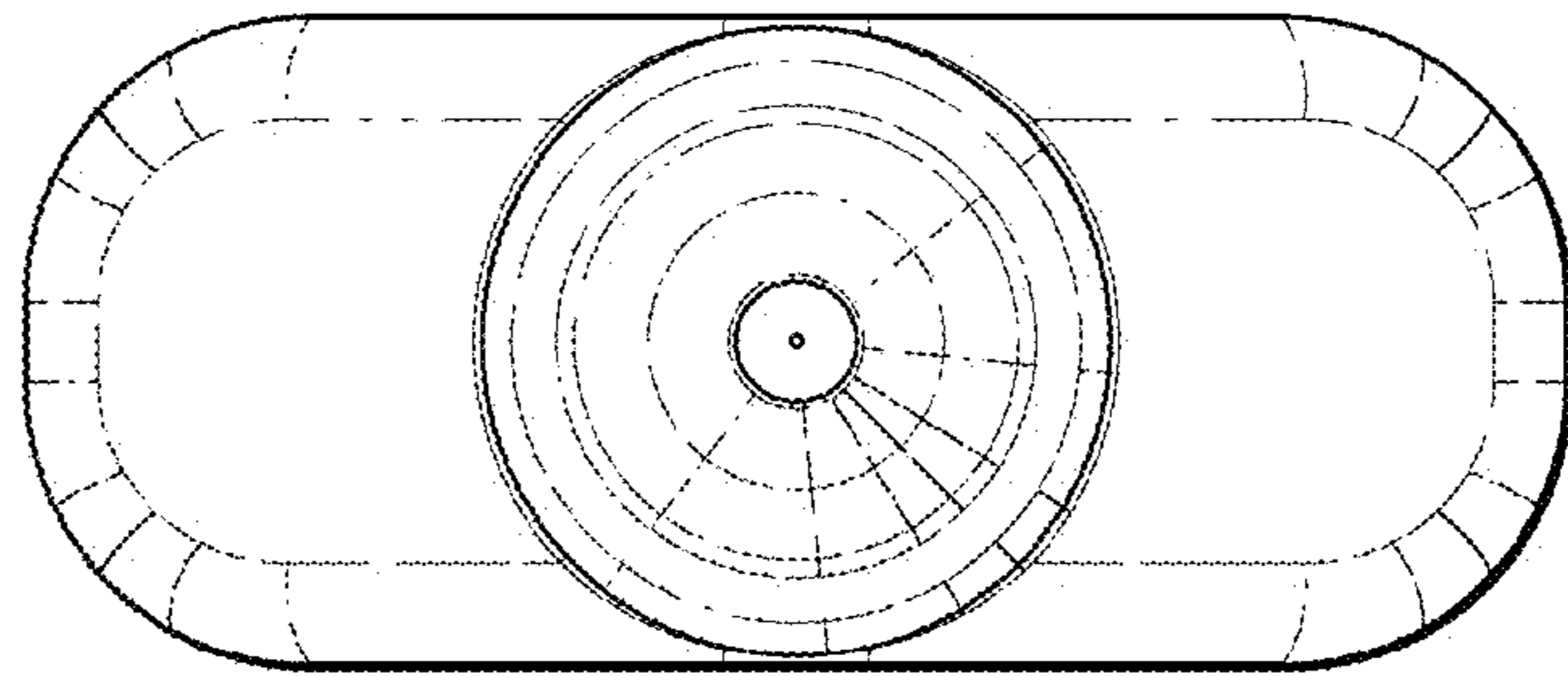
*FIG. 2*



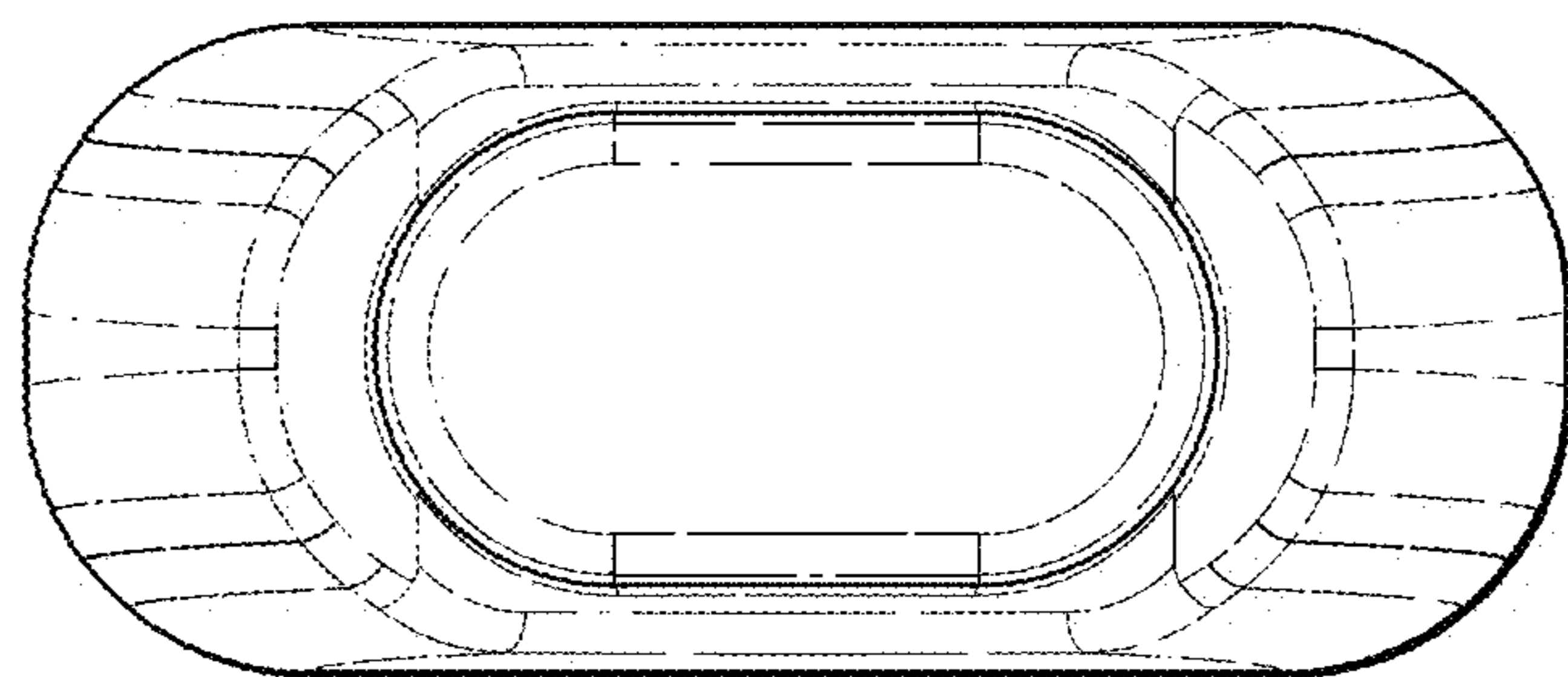
*FIG. 3*



*FIG. 4*



*FIG. 5*



*FIG. 6*