



US00D686311S

(12) **United States Design Patent**  
**Mori**

(10) **Patent No.:** **US D686,311 S**  
(45) **Date of Patent:** **\*\* Jul. 16, 2013**

(54) **CARTRIDGE FOR  
IMMUNOCHROMATOGRAPHIC TEST  
DEVICE**

D491,273 S \* 6/2004 Biegler et al. .... D24/216  
D559,995 S \* 1/2008 Handique et al. .... D24/232  
2006/0216832 A1\* 9/2006 Nishikawa et al. .... 435/287.2

(75) Inventor: **Mikinaga Mori**, Kanagawa (JP)

(73) Assignee: **FUJIFILM Corporation**, Tokyo (JP)

(\*\*) Term: **14 Years**

(21) Appl. No.: **29/406,046**

(22) Filed: **Nov. 9, 2011**

(30) **Foreign Application Priority Data**

May 10, 2011 (JP) ..... 2011-010415

(51) **LOC (9) Cl.** ..... **24-01**

(52) **U.S. Cl.**  
USPC ..... **D24/108; D24/216**

(58) **Field of Classification Search**  
USPC ..... D24/107-108, 169, 216, 223-225,  
D24/229-232; D10/81; 422/63-64, 68.1,  
422/85.05, 82.05, 554, 561, 565, 420; 435/287.2  
See application file for complete search history.

(56) **References Cited**

**U.S. PATENT DOCUMENTS**

5,147,609 A \* 9/1992 Grenner ..... 422/420  
5,223,220 A \* 6/1993 Fan et al. .... 422/420  
5,728,587 A \* 3/1998 Kang et al. .... 435/287.2  
D438,631 S \* 3/2001 Miller ..... D24/224  
D438,632 S \* 3/2001 Miller ..... D24/224  
D438,633 S \* 3/2001 Miller ..... D24/224

**OTHER PUBLICATIONS**

Remel Xpect Clostridium difficile Toxin A/B Test. Thermo Fisher Scientific Inc. 2012 [retrieved on Oct. 17, 2012]. Retrieved from the Internet: <URL: [http://www.thermoscientific.com/ecom/servlet/productsdetail/11152/L10514/80511/1...>.\\*](http://www.thermoscientific.com/ecom/servlet/productsdetail/11152/L10514/80511/1...)

\* cited by examiner

*Primary Examiner* — Wan Laymon

(74) *Attorney, Agent, or Firm* — Sughrue Mion, PLLC

(57) **CLAIM**

The ornamental design for a cartridge for immunochromatographic test device, as shown and described.

**DESCRIPTION**

FIG. 1 is a perspective view of bottom, front and left side of a cartridge for immunochromatographic test device showing my new design;

FIG. 2 is a front view thereof;

FIG. 3 is a rear view thereof;

FIG. 4 is a left side view thereof;

FIG. 5 is a right side view thereof;

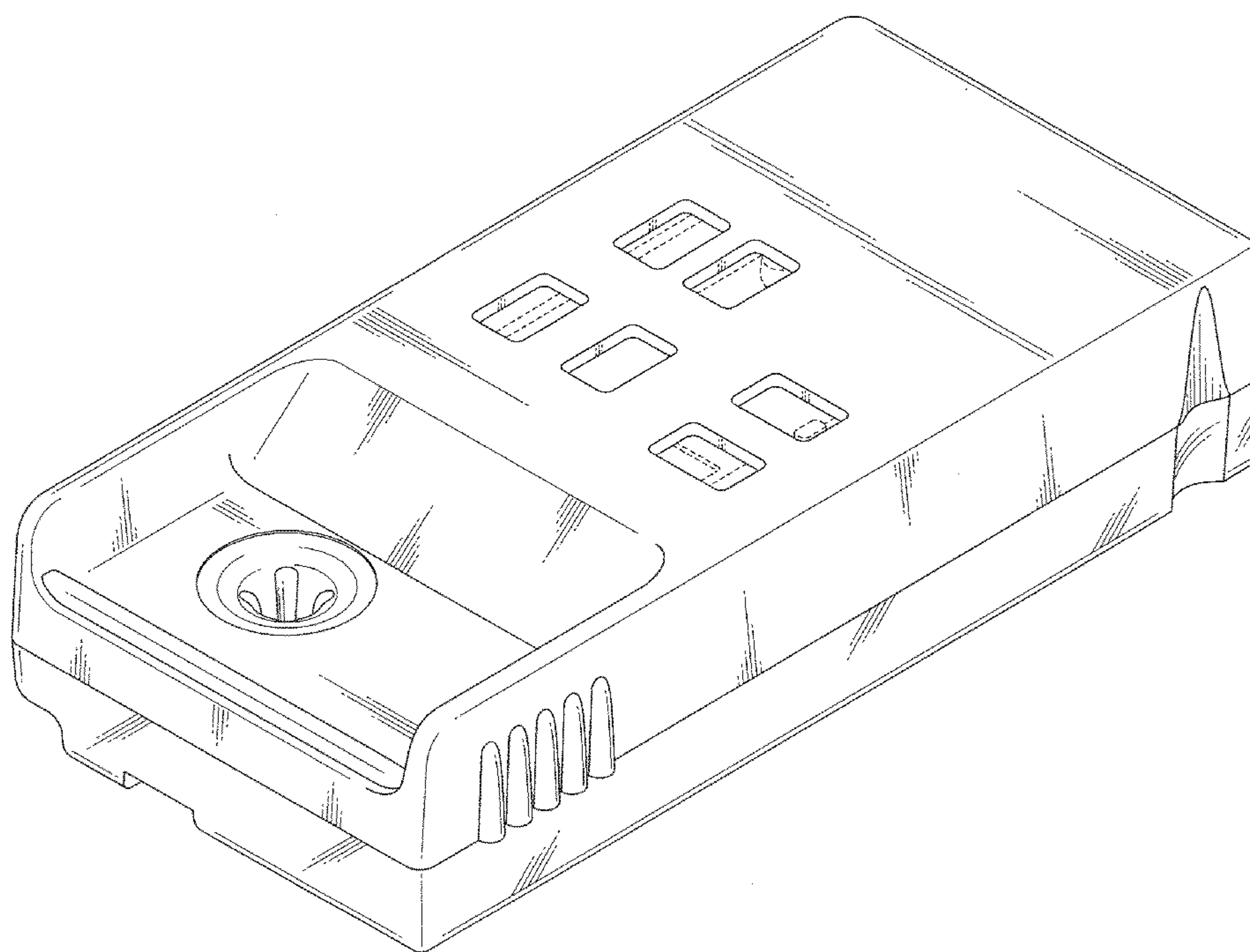
FIG. 6 is a top plan view thereof;

FIG. 7 is a bottom view thereof; and,

FIG. 8 is a cross-sectional view at 8-8 shown in FIG. 2 omitting the internal mechanism.

The portions of the article in broken line are shown for illustrative purposes only and form no part of the claimed design.

**1 Claim, 6 Drawing Sheets**



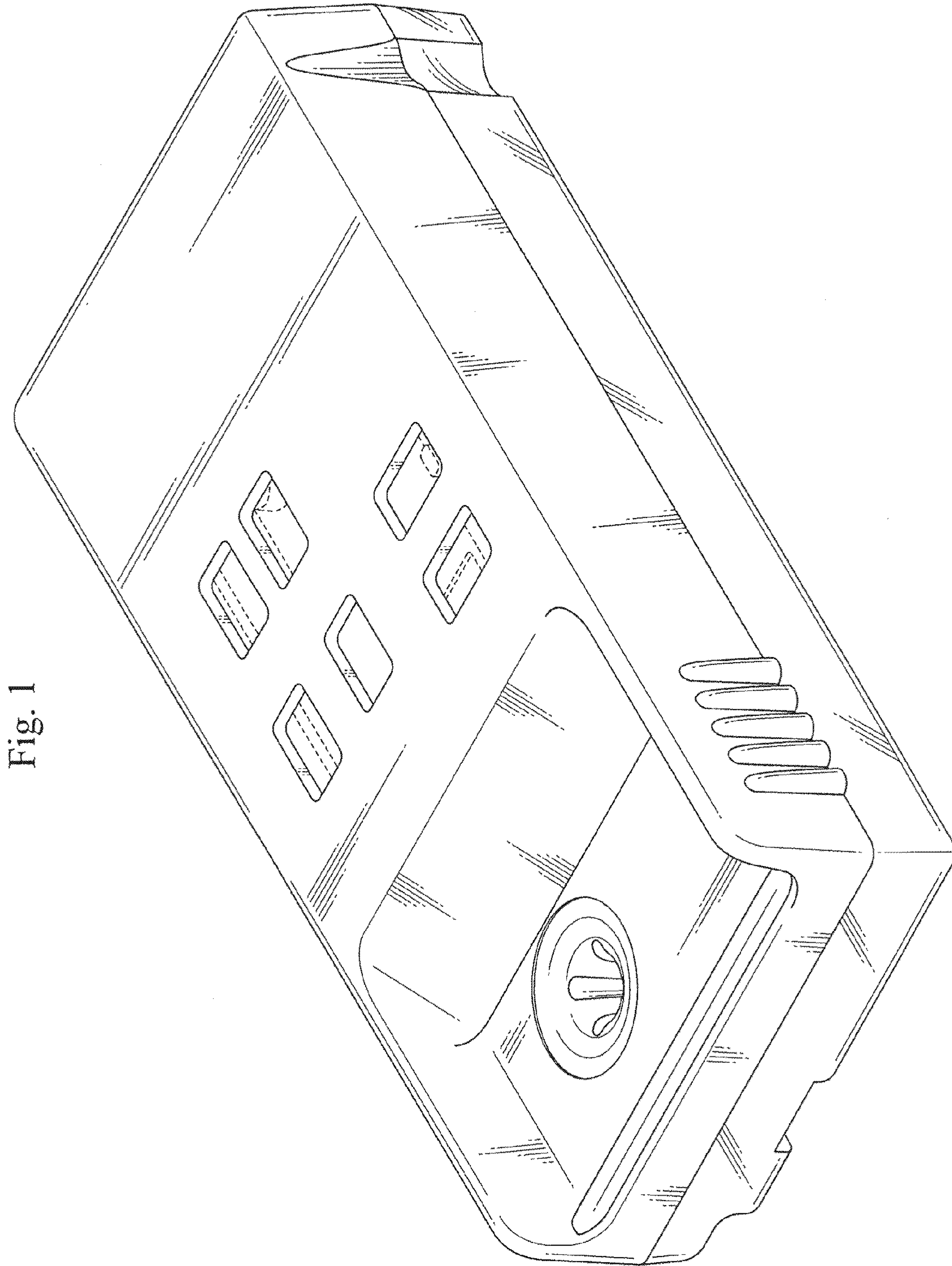


Fig. 1

Fig. 2

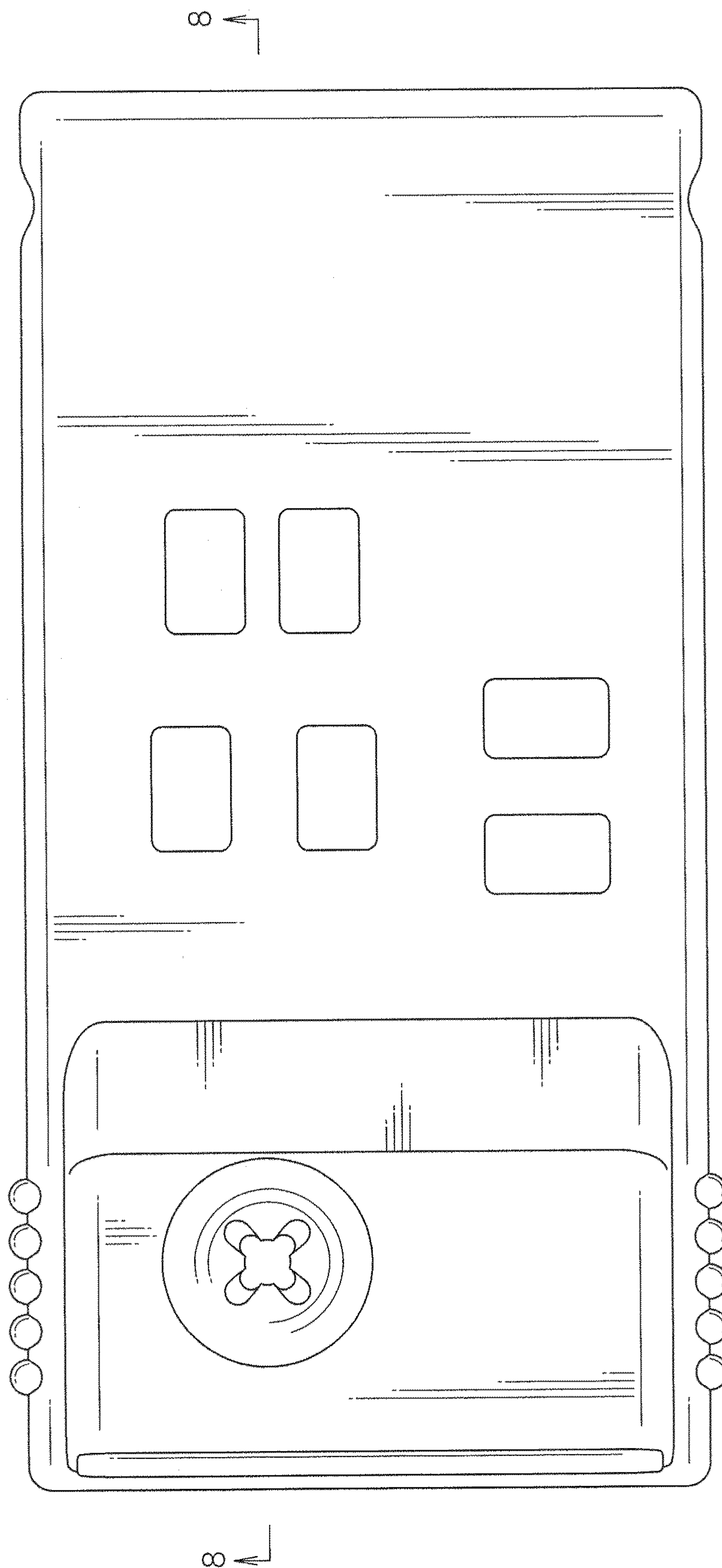




Fig. 3

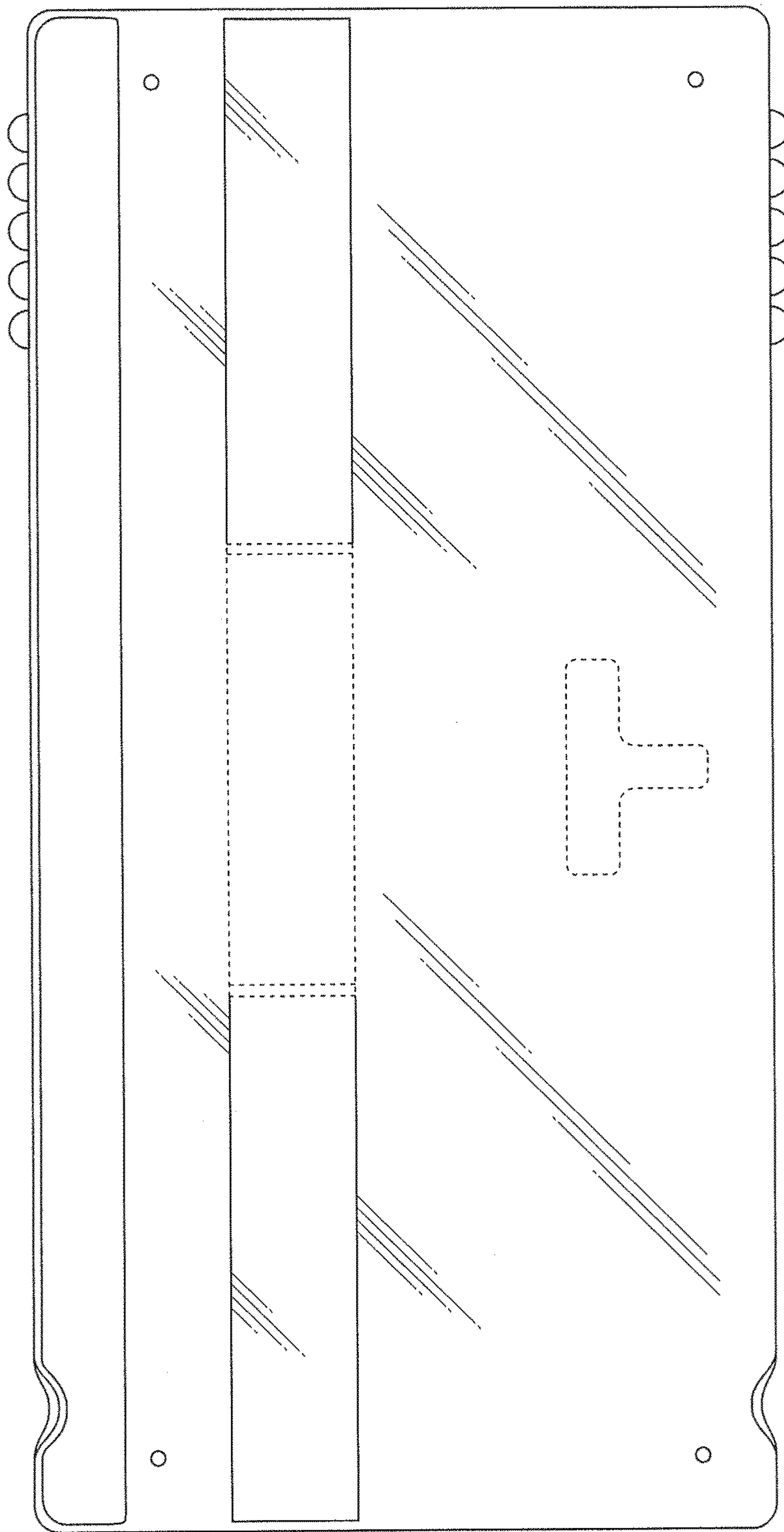


Fig. 5

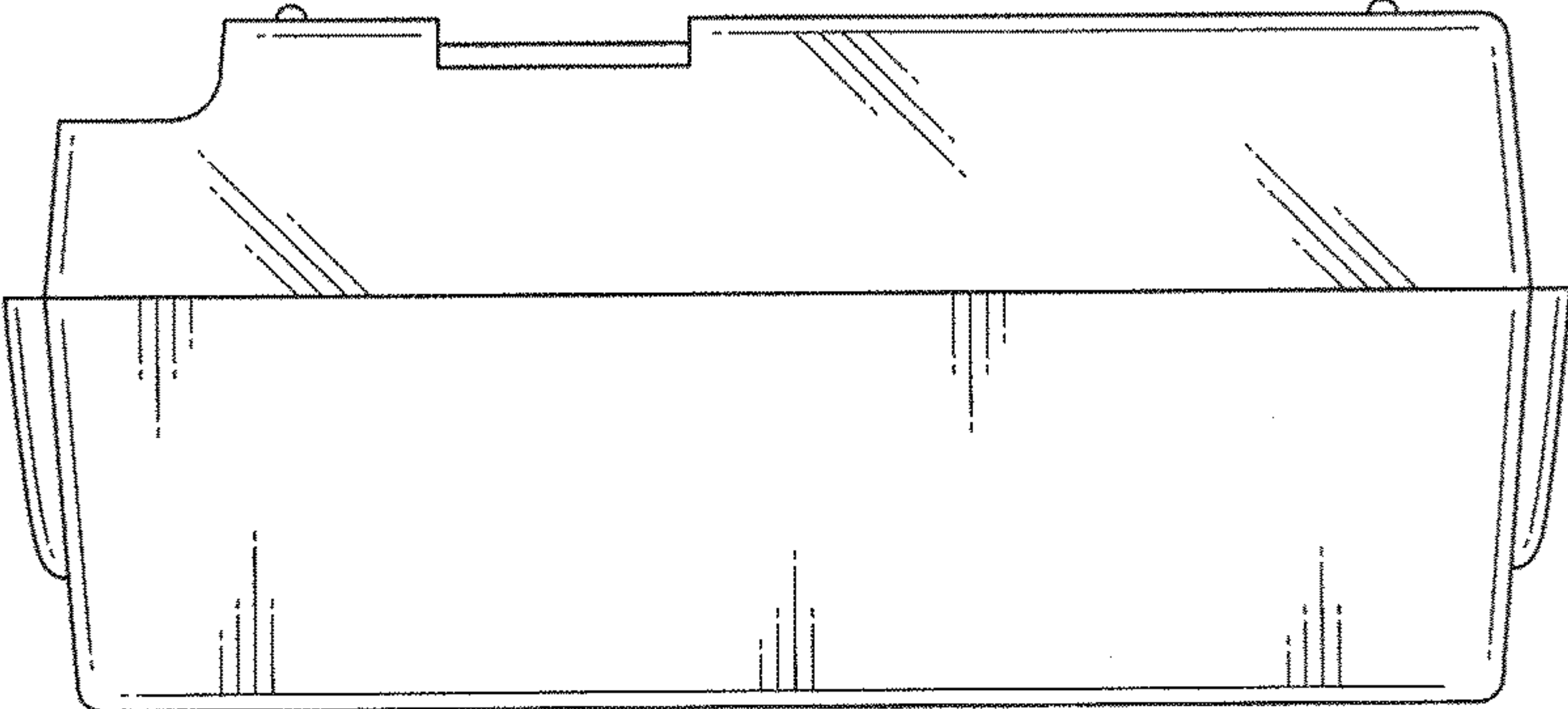


Fig. 4

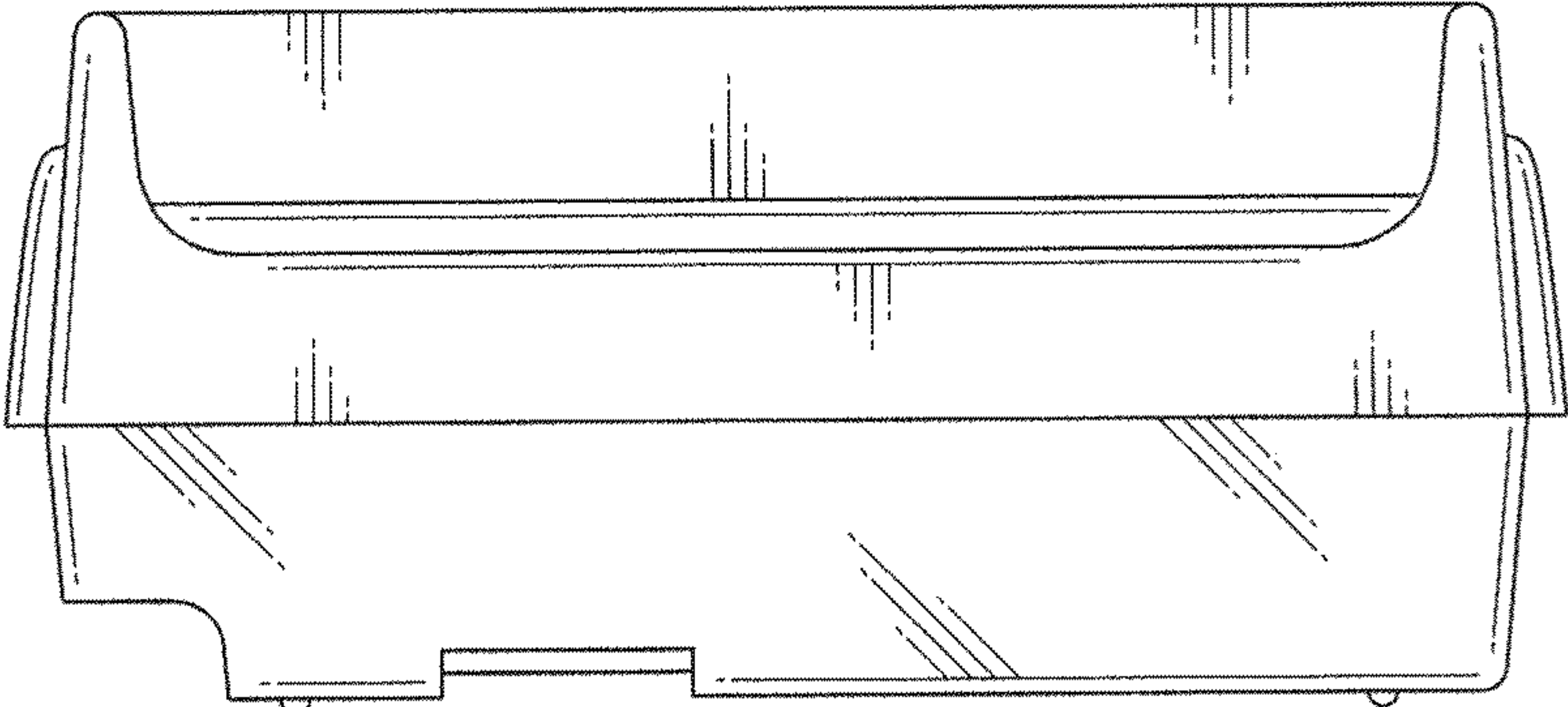


Fig. 6

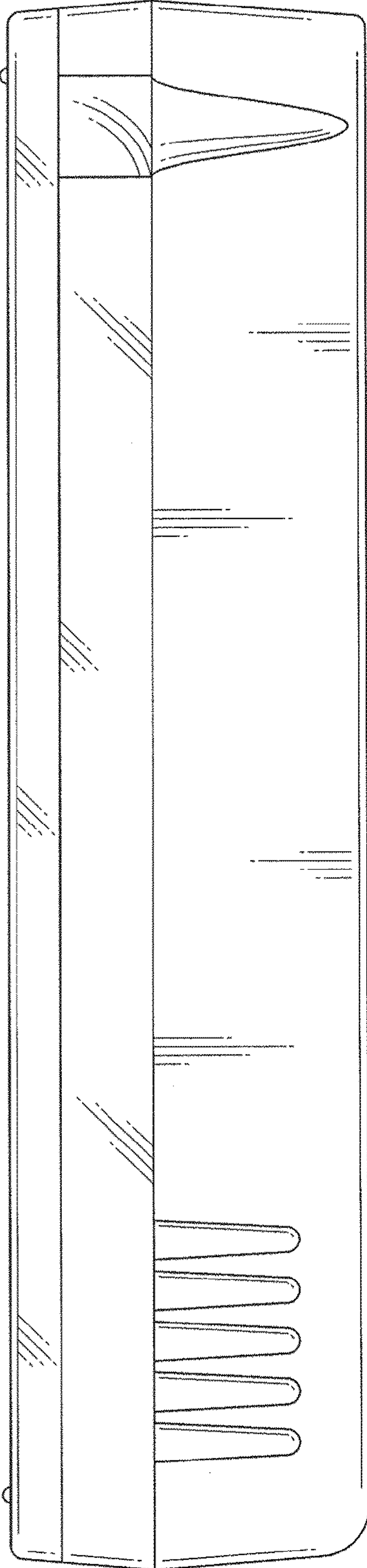


Fig. 7

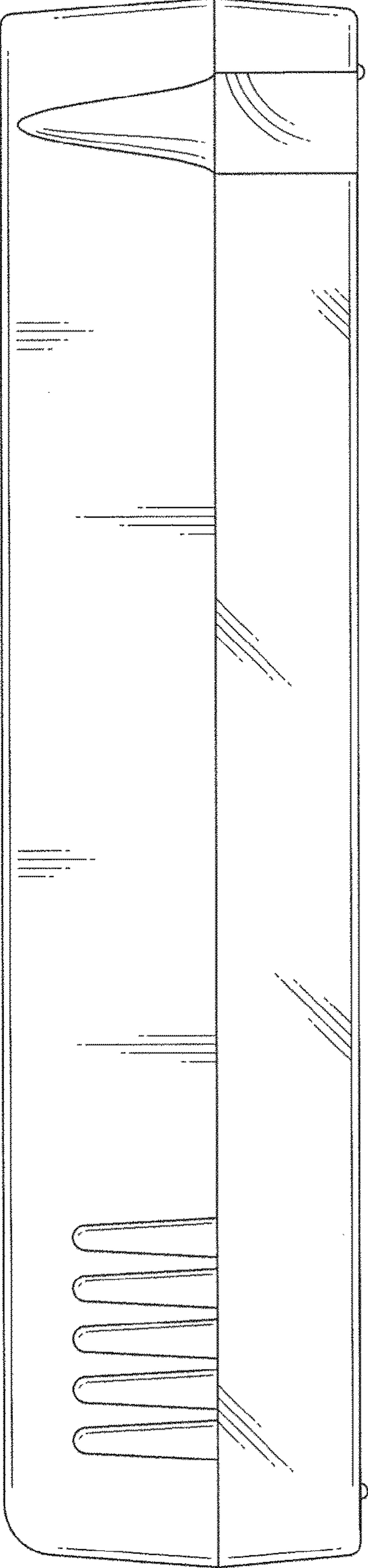


Fig. 8

