



US00D686310S

(12) **United States Design Patent**
Laskowski et al.

(10) **Patent No.:** **US D686,310 S**

(45) **Date of Patent:** **** Jul. 16, 2013**

(54) **CHIP STATION PLATE WITH LED ASSEMBLY**

(75) Inventors: **Conrad Laskowski**, Baltimore, MD (US); **Eric Schneider**, Catonsville, MD (US); **Jeremy Savage**, Rockville, MD (US); **Hongye Liang**, Clarksville, MD (US); **Kenton Hasson**, Germantown, MD (US)

(73) Assignee: **Canon U.S. Life Sciences, Inc.**, Rockville, MD (US)

(**) Term: **14 Years**

(21) Appl. No.: **29/385,964**

(22) Filed: **Feb. 23, 2011**

(51) **LOC (9) Cl.** **24-01**

(52) **U.S. Cl.**
USPC **D24/107; D24/216; D24/232**

(58) **Field of Classification Search**
USPC D24/107, 216–232, 169, 186; D10/81; 422/62–63, 66–67, 68.1, 500, 502, 503; 435/287.1, 287.2, 288.3, 288.7, 305.1
See application file for complete search history.

(56) **References Cited**

U.S. PATENT DOCUMENTS

D324,426	S	*	3/1992	Fan et al.	D24/226
6,395,554	B1	*	5/2002	Regan et al.	422/67
D463,031	S	*	9/2002	Slomski et al.	D24/226
6,511,277	B1	*	1/2003	Norris et al.	414/331.05

D613,184	S	*	4/2010	Nalagatla et al.	D24/229
D625,428	S	*	10/2010	Bare et al.	D24/220
2012/0052560	A1	*	3/2012	Knight et al.	435/287.2
2012/0115190	A1	*	5/2012	Coursey et al.	435/91.2
2012/0115214	A1	*	5/2012	Battrell et al.	435/287.2

* cited by examiner

Primary Examiner — Wan Laymon

(74) *Attorney, Agent, or Firm* — Rothwell, Figg, Ernst & Manbeck, P.C.

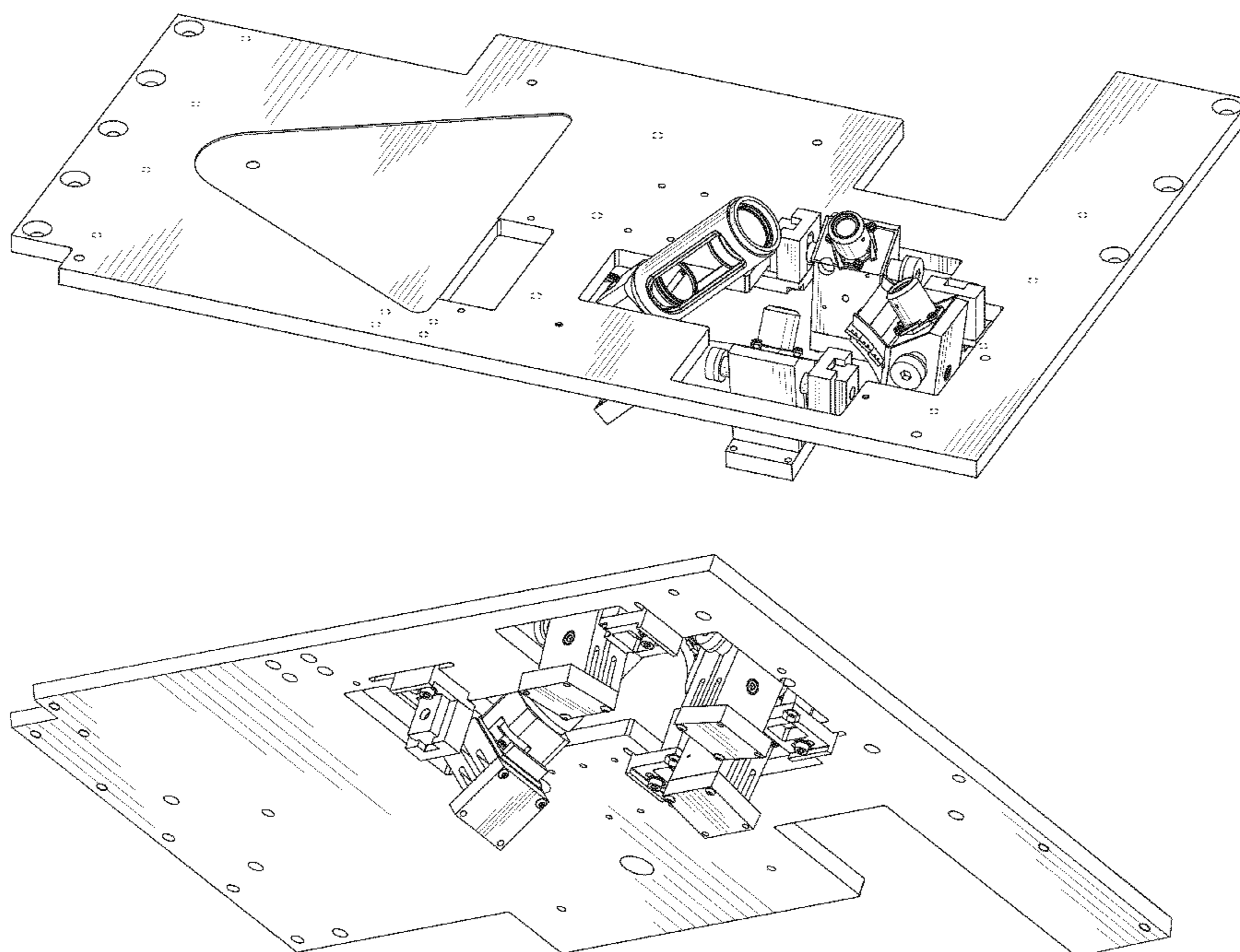
(57) **CLAIM**
The ornamental design for chip station plate with LED assembly, as shown and described.

DESCRIPTION

FIG. 1 is an elevated perspective view of the top, front and right side of the chip station plate with LED assembly; FIG. 2 is an elevated perspective view of the bottom, front and right side of the chip station plate with LED assembly; FIG. 3 is a front view of the chip station plate with LED assembly; FIG. 4 is a rear view of the chip station plate with LED assembly; FIG. 5 is a left side view of the chip station plate with LED assembly; FIG. 6 is a right side view of the chip station plate with LED assembly; FIG. 7 is an enlarged top view of the chip station plate with LED assembly; and, FIG. 8 is an enlarged bottom view of the chip station plate with LED assembly.

The portions of the chip station plate with LED assembly shown in broken lines form no part of the claimed design.

1 Claim, 8 Drawing Sheets



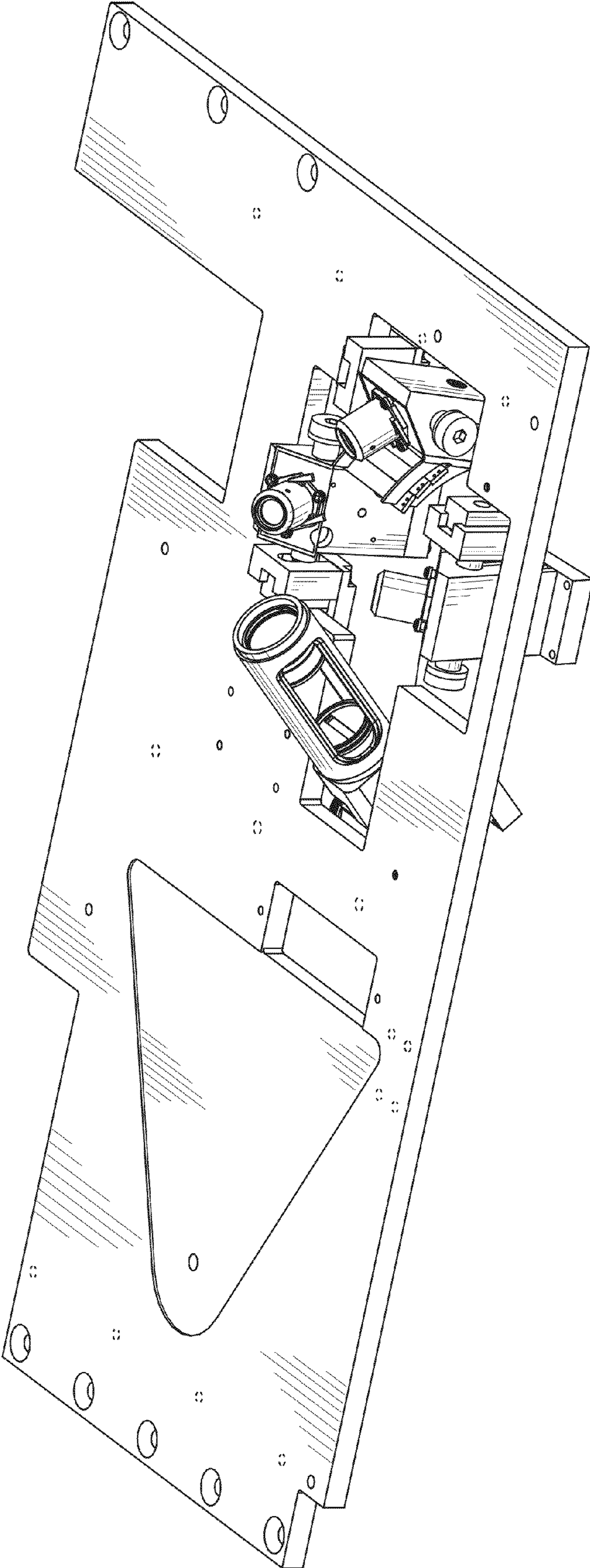


FIG.1

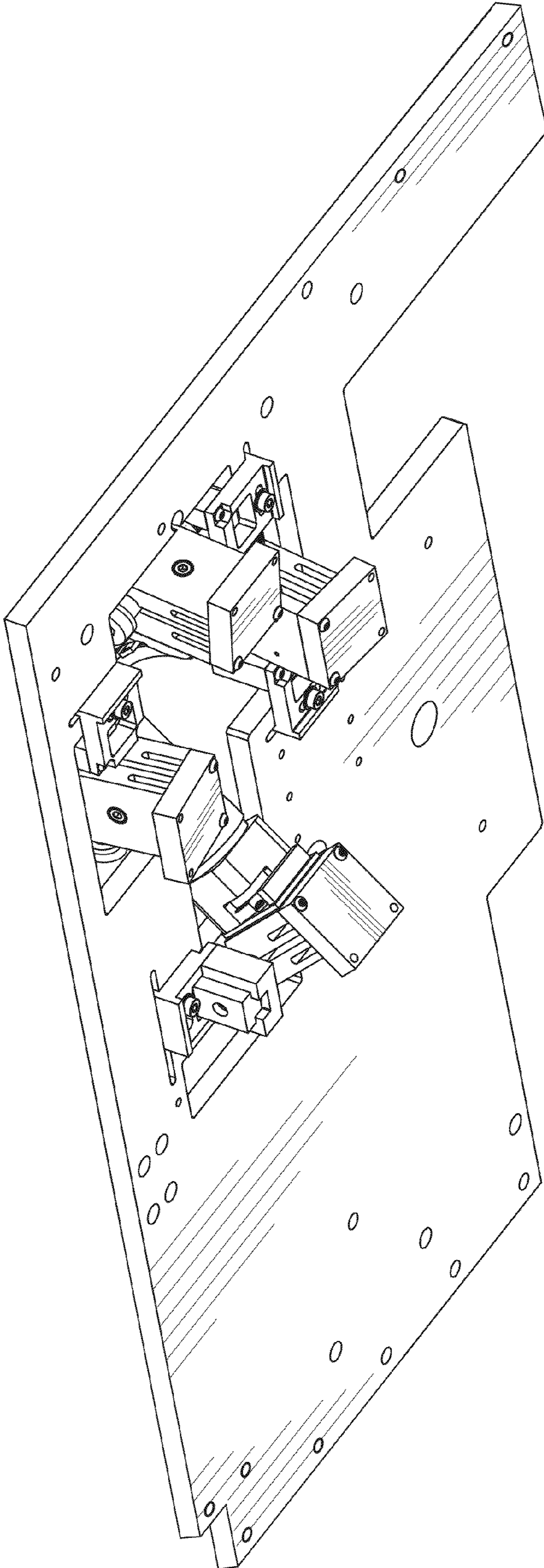


FIG.2

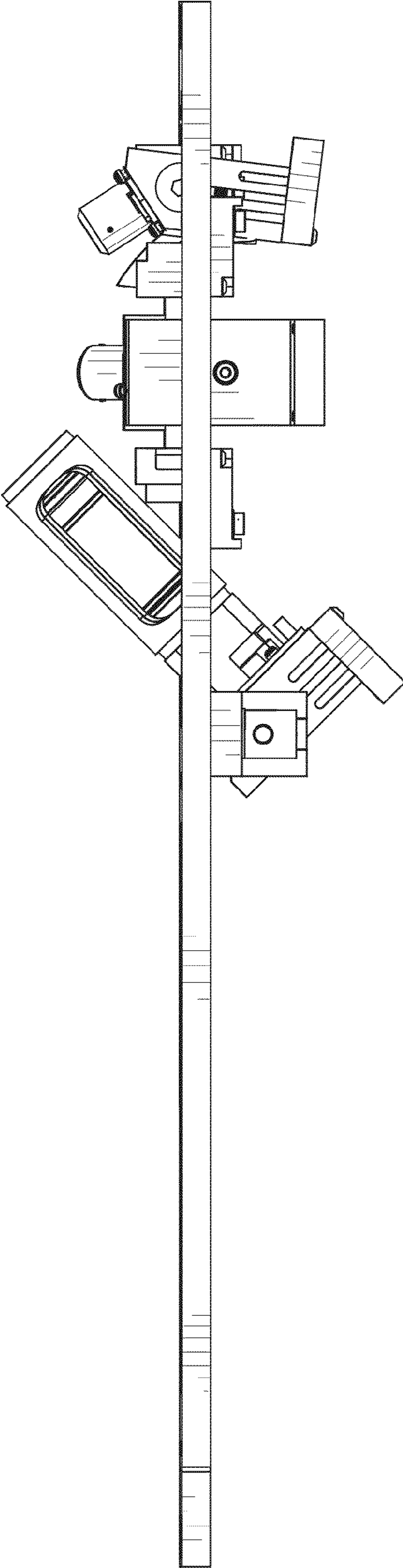


FIG.3

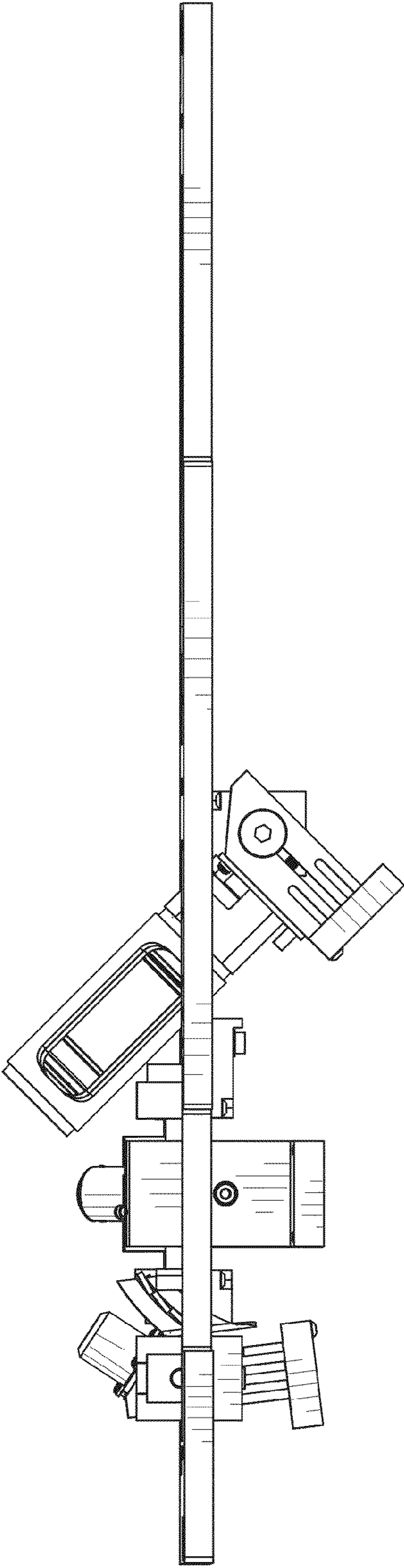


FIG.4

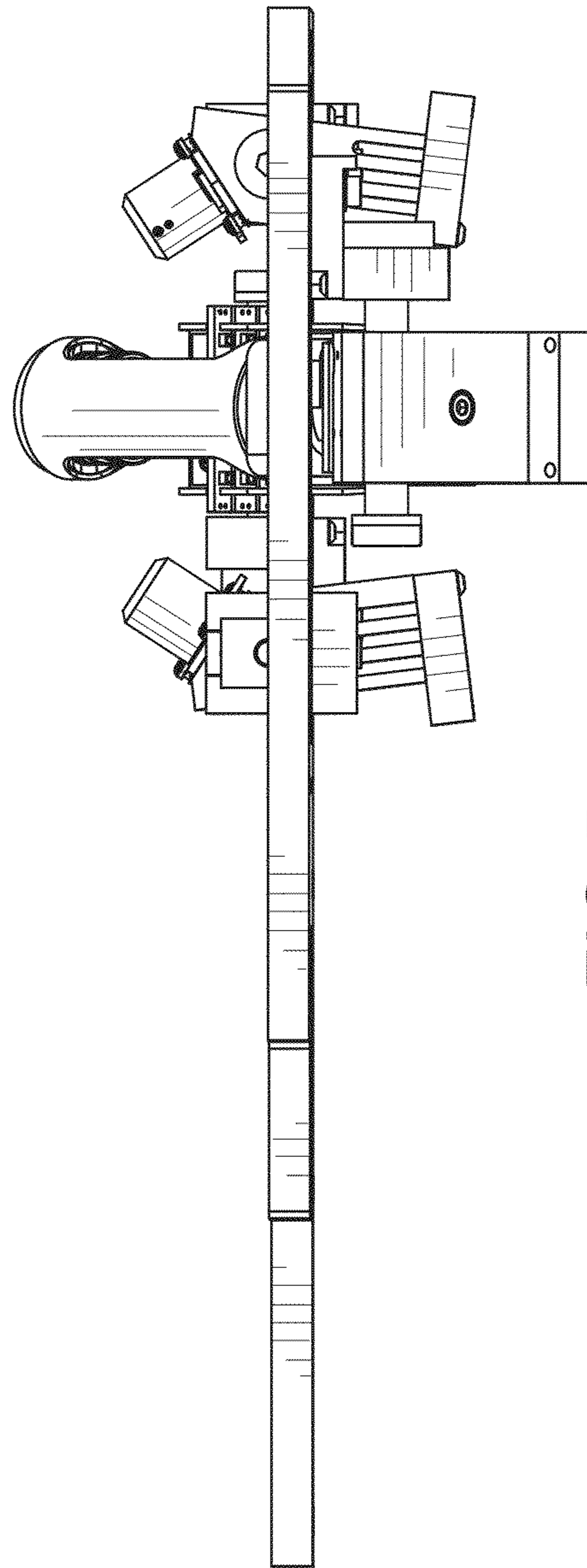


FIG.5

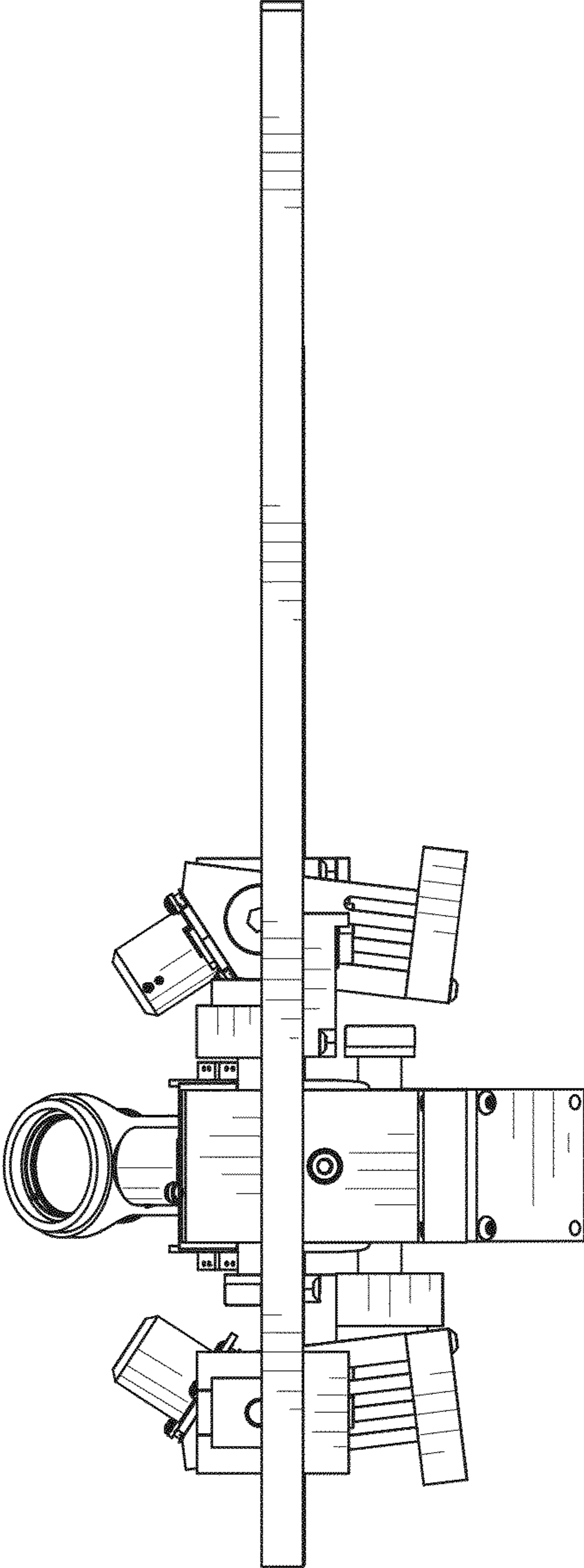


FIG. 6

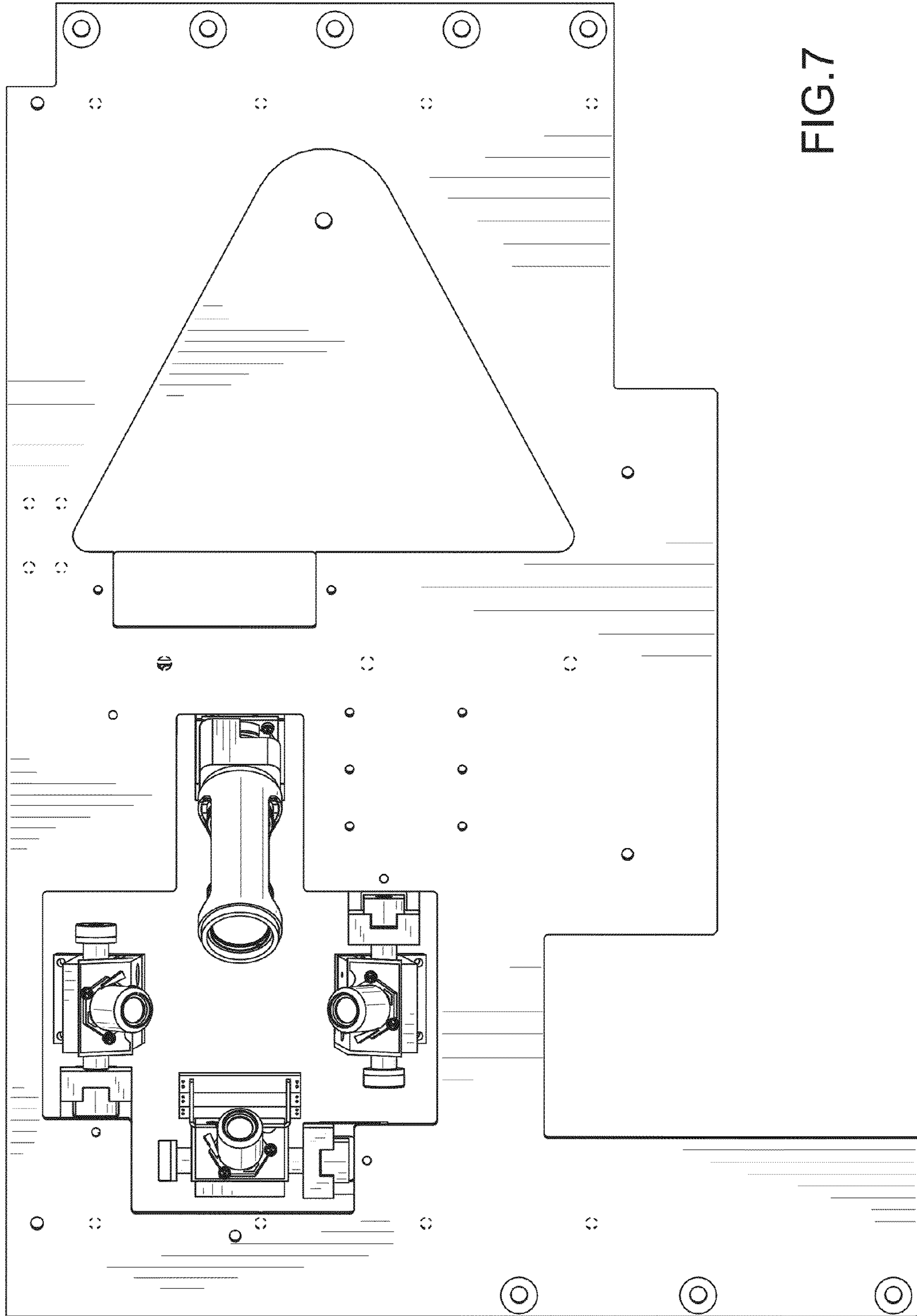


FIG. 7

FIG.8

