



US00D686308S

(12) **United States Design Patent**
Qin et al.

(10) **Patent No.:** **US D686,308 S**

(45) **Date of Patent:** **** Jul. 16, 2013**

(54) **DESK BOX FAN**

(75) Inventors: **Luan Qin**, Guangdong (CN); **Hongbing Wang**, Guangdong (CN); **Sheng Niu**, Guangdong (CN); **Xiao Wang**, Guangdong (CN); **Jinfu Zhong**, Guangdong (CN); **Jianfei Hou**, Guangdong (CN); **Juan Xiao**, Guangdong (CN)

(73) Assignee: **Gree Electric Appliances (Zhongshan) Small Home Appliances Manufacturing Ltd.**, Minzhong Township, Zhongshan, Guangdong (CN)

(**) Term: **14 Years**

(21) Appl. No.: **29/416,034**

(22) Filed: **Mar. 16, 2012**

(51) **LOC (9) Cl.** **23-04**

(52) **U.S. Cl.**
USPC **D23/382**

(58) **Field of Classification Search**
USPC D23/381–383, 370–379, 385–388, D23/393, 394, 399, 411–414, 355, 356, 336; 454/237–253, 186, 228–236; 52/302.1; 417/423.1, 423.14; 415/182.1, 200, 90; 416/244 R, 246, 247 R; D6/309; D21/430, 436, 442, D21/447, 450, 453, 458

See application file for complete search history.

(56) **References Cited**

U.S. PATENT DOCUMENTS

D346,019	S	*	4/1994	Cheslock et al.	D23/382
D421,114	S	*	2/2000	Lozzio et al.	D23/382
D427,674	S	*	7/2000	Moreno	D23/412
D429,808	S	*	8/2000	Krauss et al.	D23/411
D454,392	S	*	3/2002	Shapiro	D23/411
D597,195	S	*	7/2009	Zhuang	D23/411
D620,100	S	*	7/2010	Peterson et al.	D23/411
D630,723	S	*	1/2011	Ediger et al.	D23/411
D645,952	S	*	9/2011	Peterson et al.	D23/411
D645,953	S	*	9/2011	Peterson et al.	D23/411
D673,256	S	*	12/2012	Shapiro	D23/411

* cited by examiner

Primary Examiner — George D Kirschbaum

Assistant Examiner — Janice Hallmark

(74) *Attorney, Agent, or Firm* — Global IP Services; Tianhua Gu

(57) **CLAIM**

The ornamental design for a desk box fan, as shown and described.

DESCRIPTION

FIG. 1 is a front elevation view of a desk box fan showing our new design;

FIG. 2 is a rear elevation view thereof;

FIG. 3 is a left side elevation view thereof;

FIG. 4 is a right side elevation view thereof;

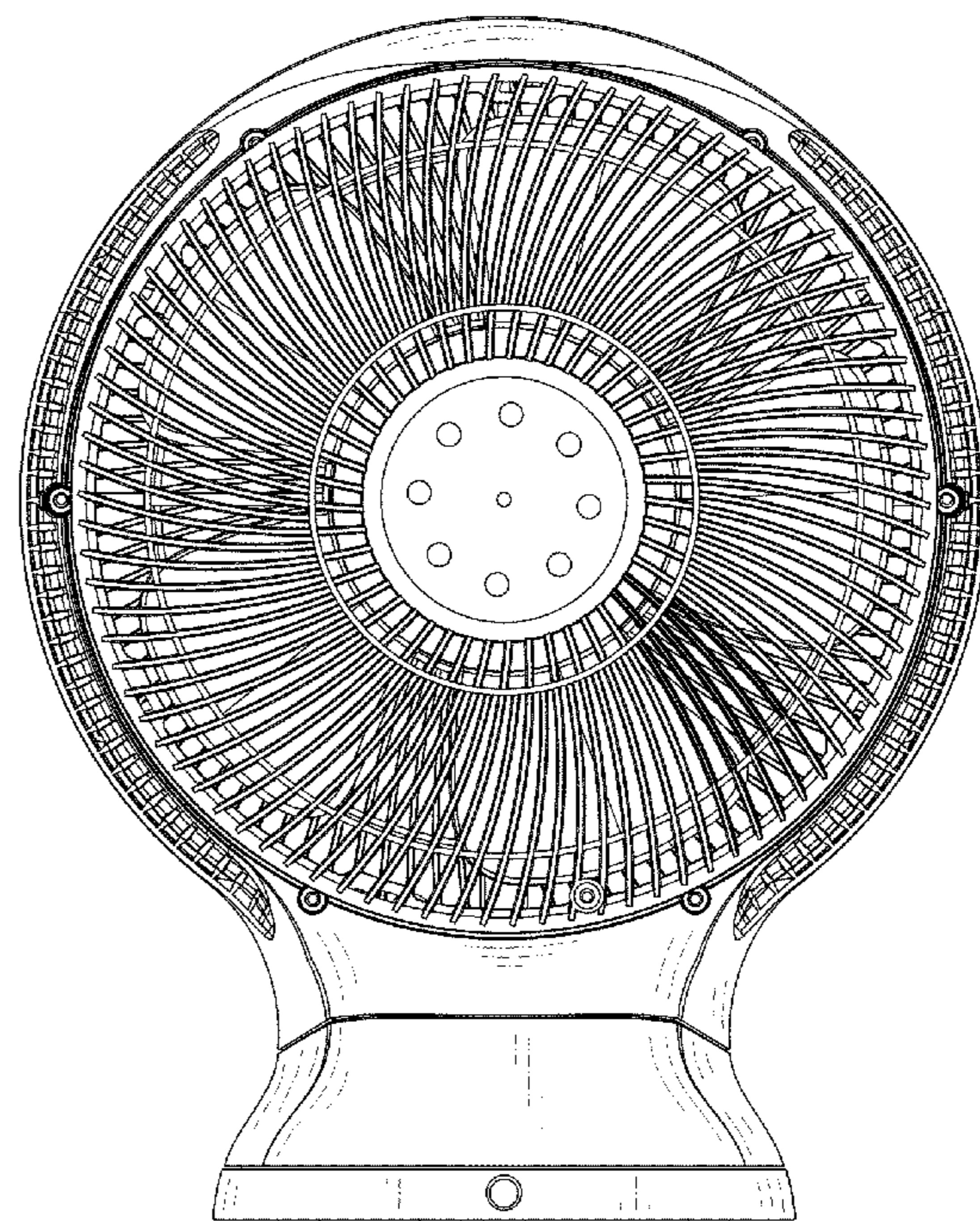
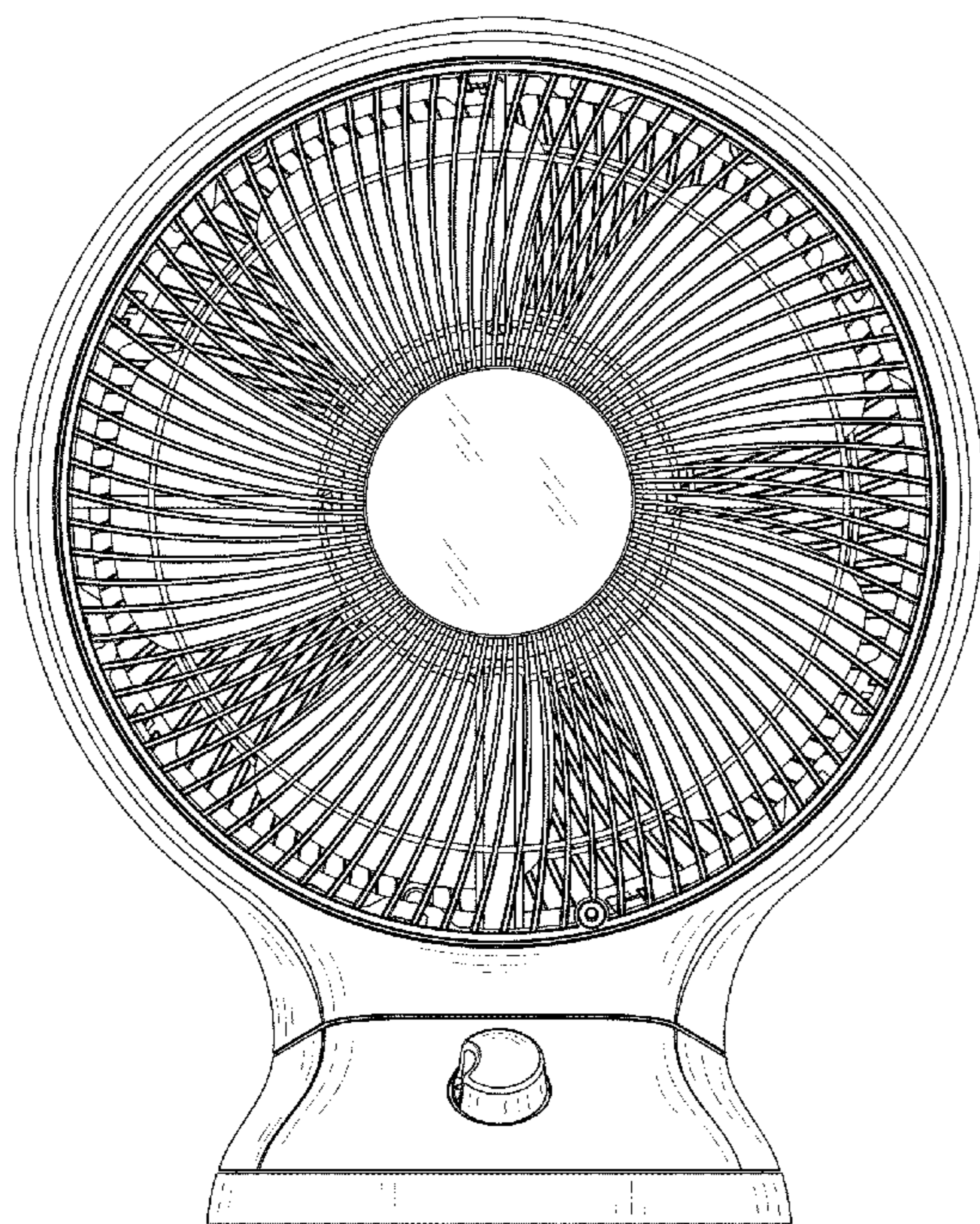
FIG. 5 is a top plan view thereof;

FIG. 6 is a bottom plan view thereof;

FIG. 7 is a right front perspective view thereof; and,

FIG. 8 is a bottom perspective view thereof.

1 Claim, 7 Drawing Sheets



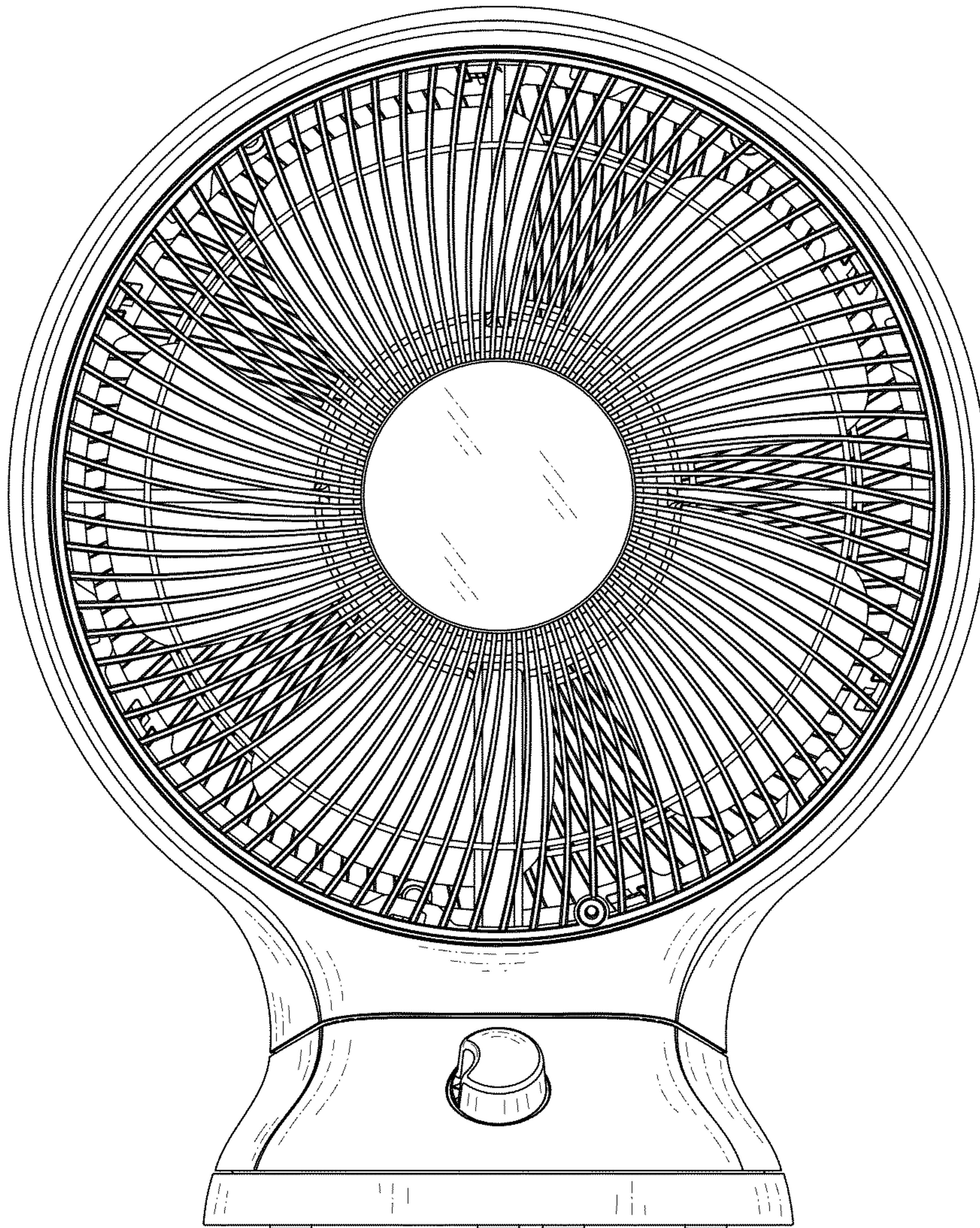


FIG. 1

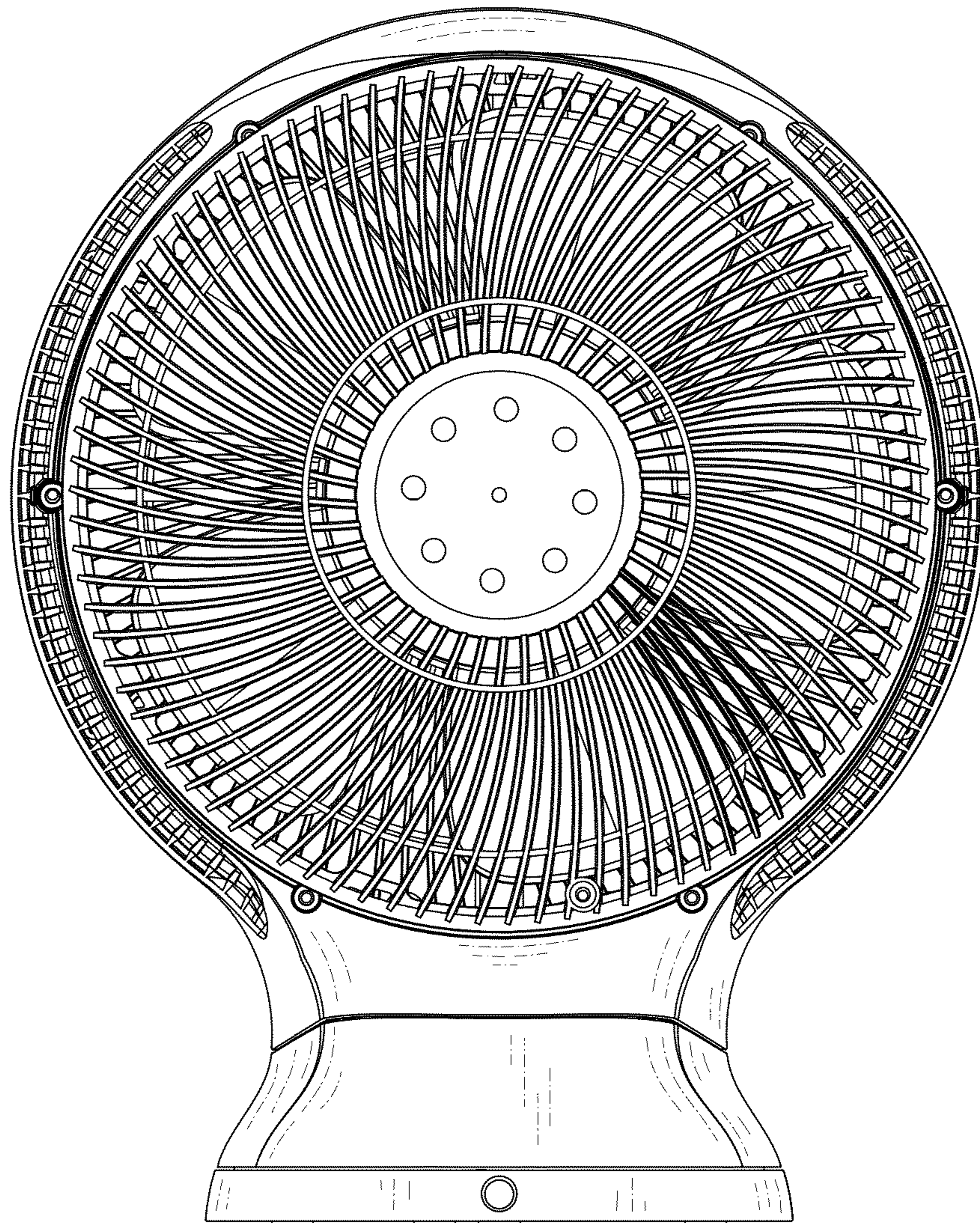


FIG. 2

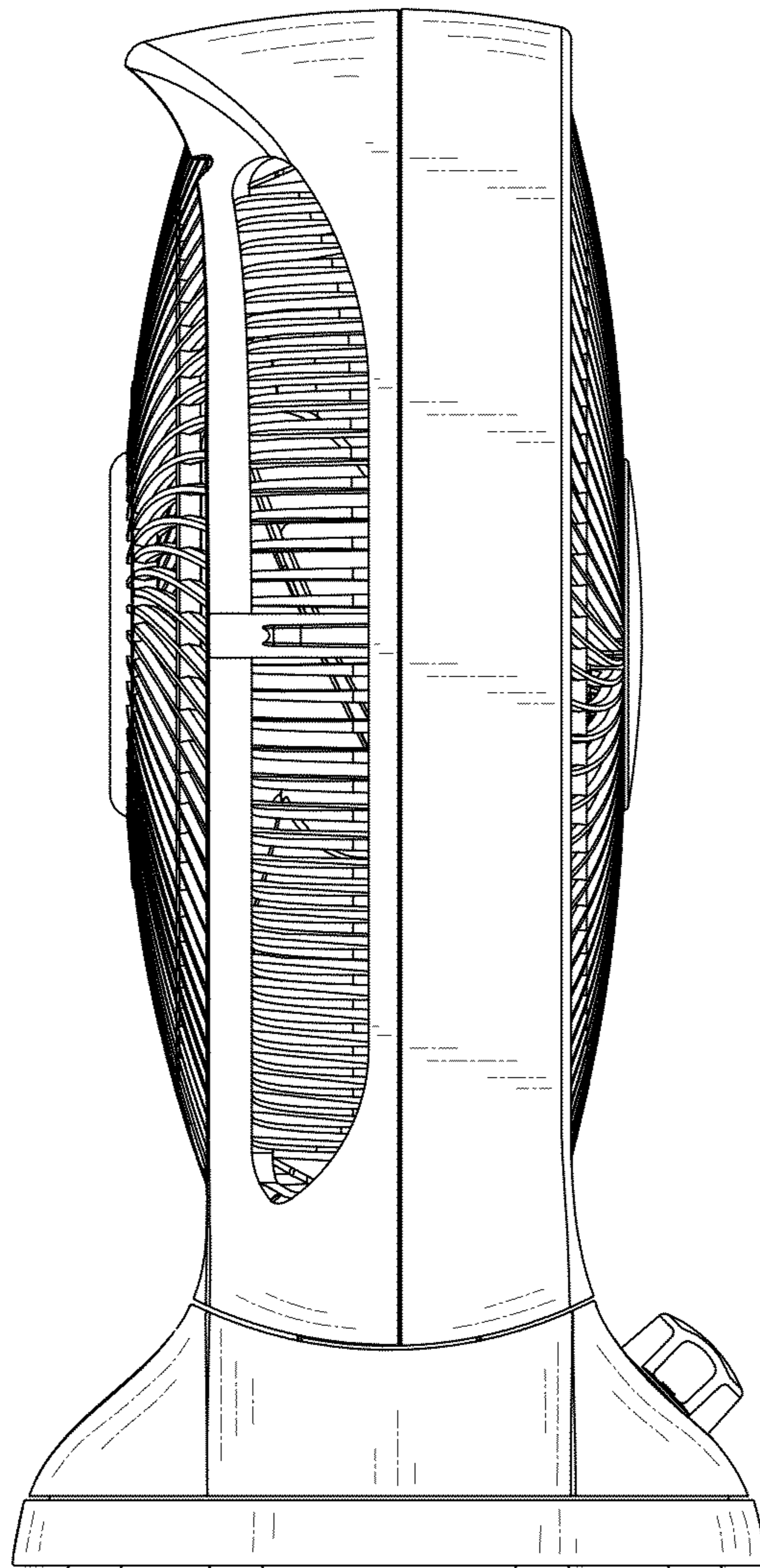


FIG. 3

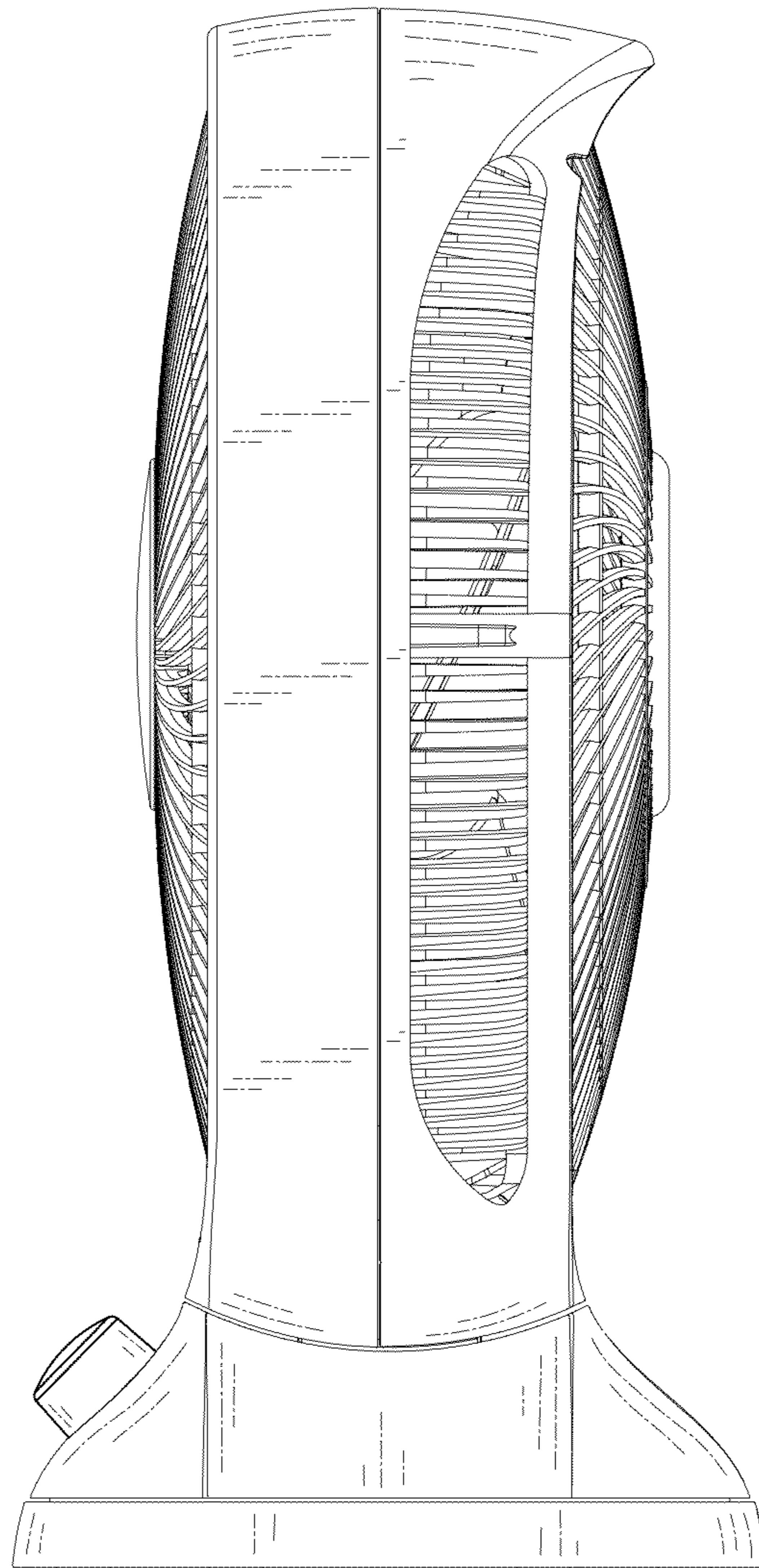


FIG. 4

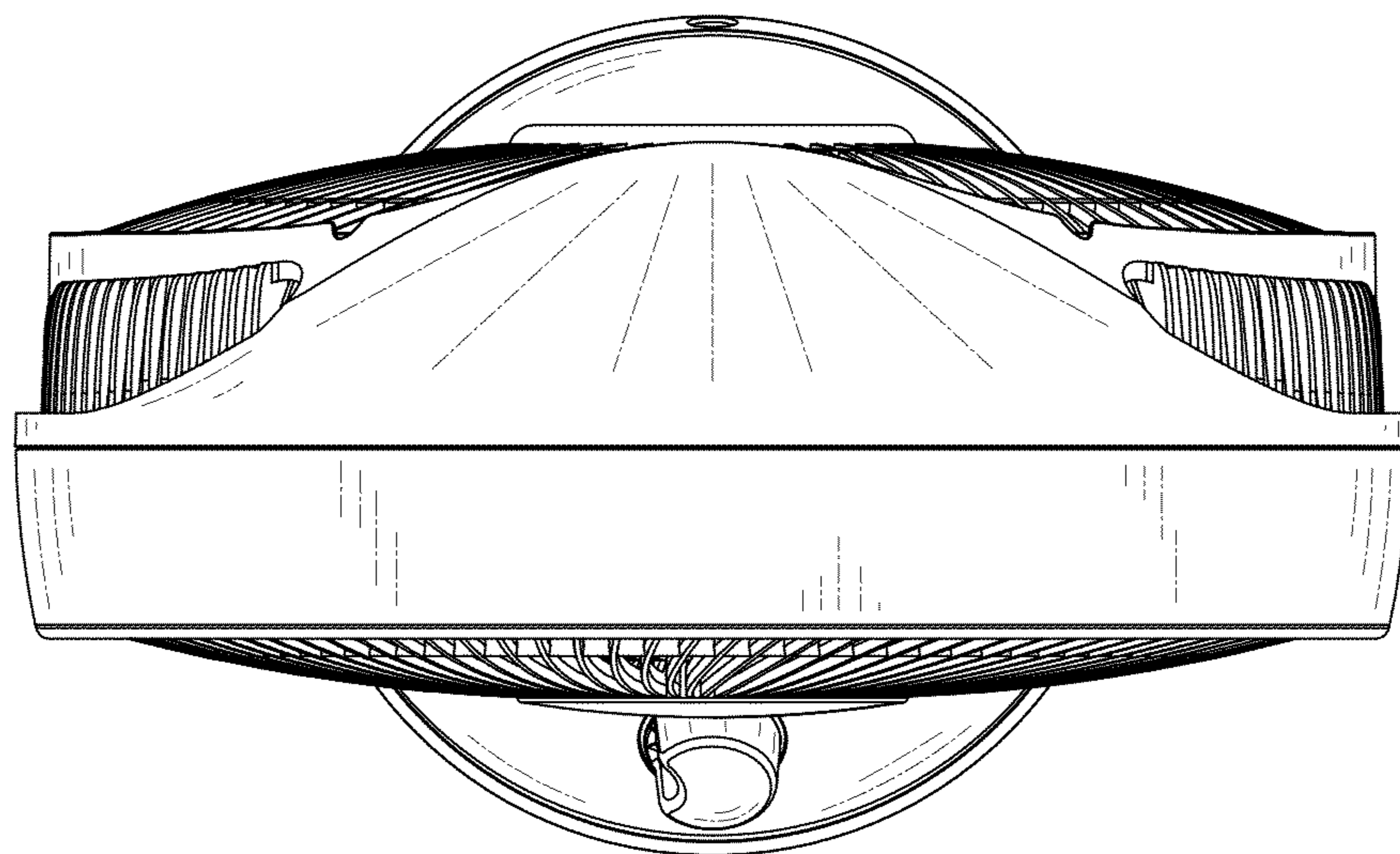


FIG. 5

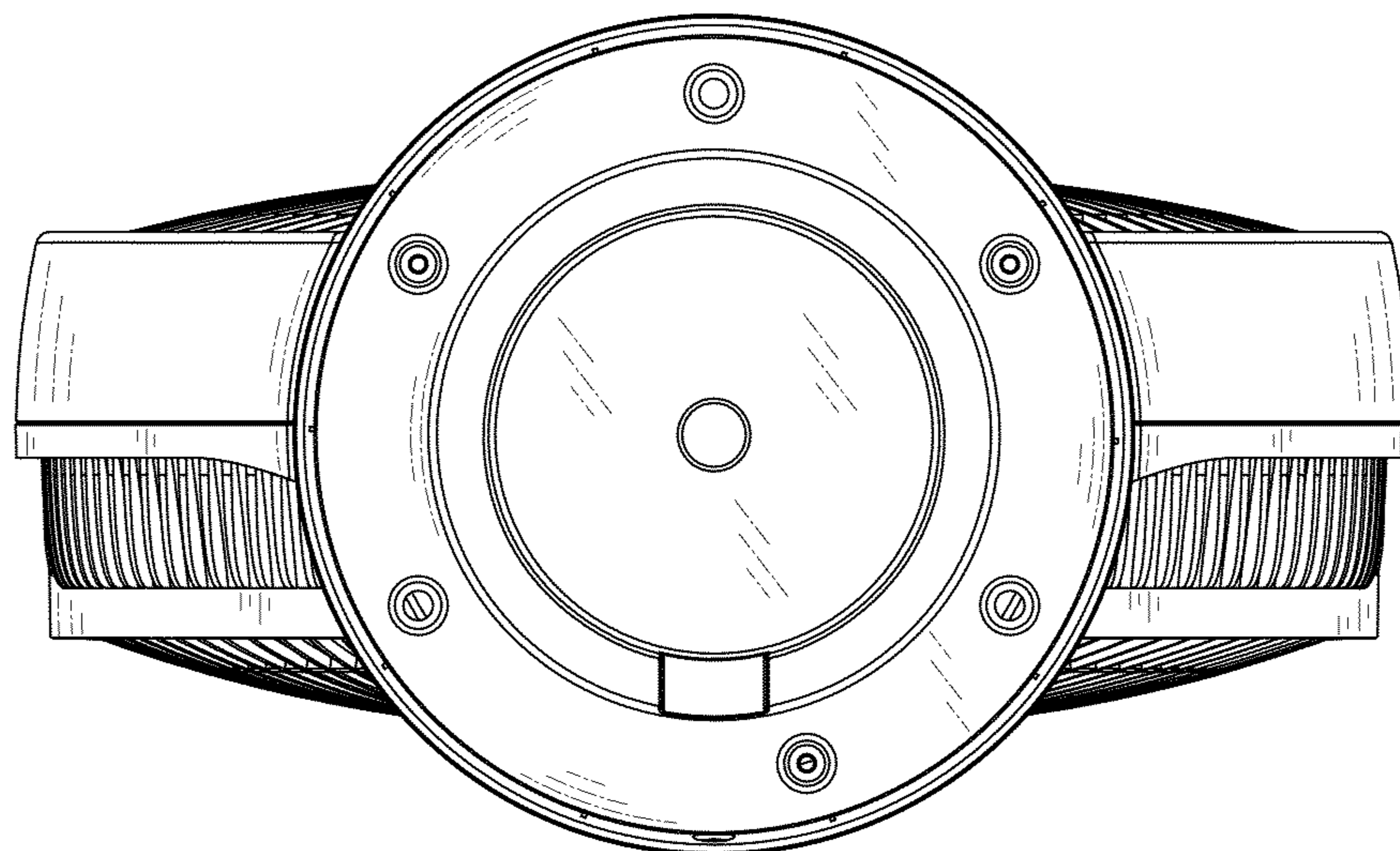


FIG. 6

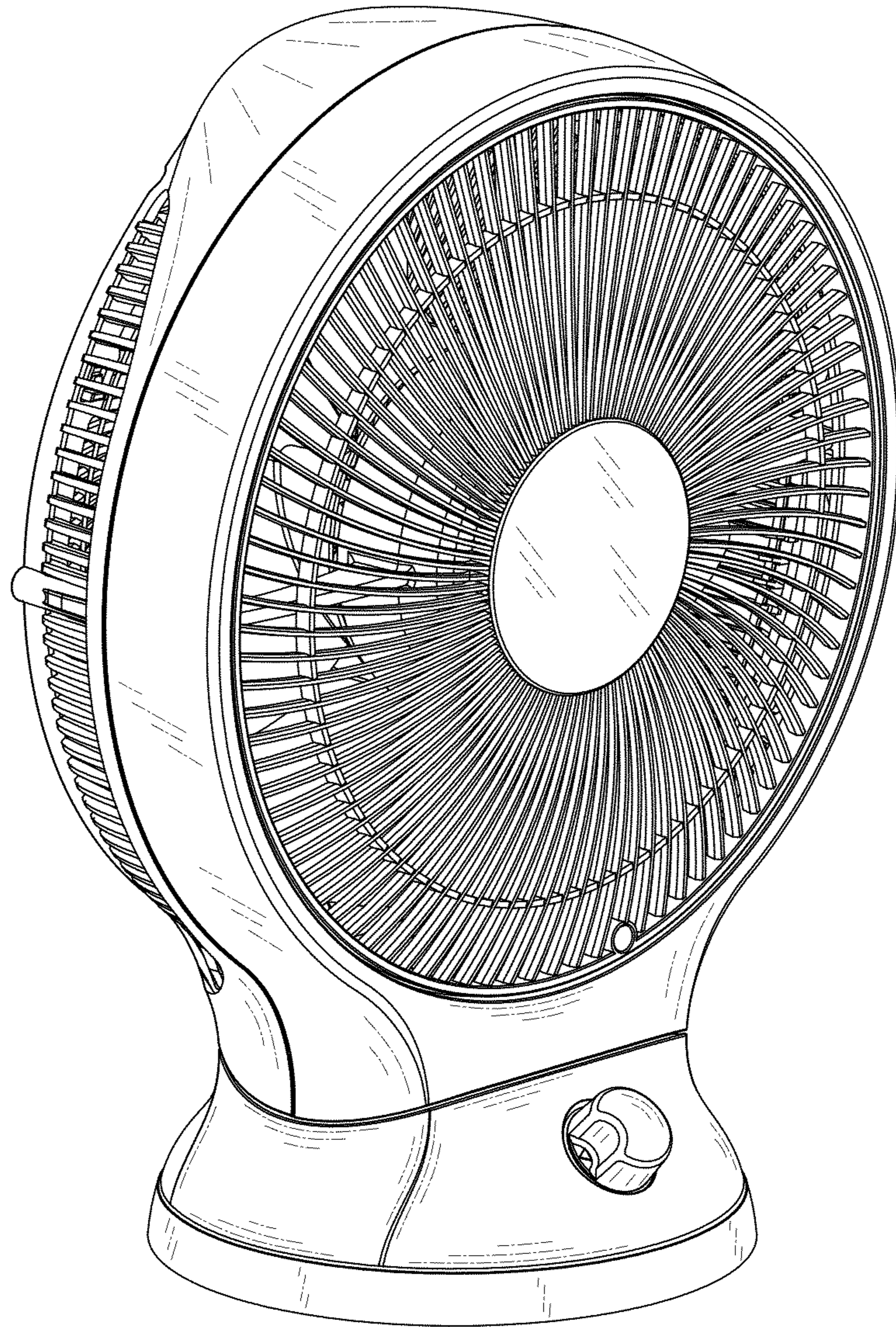


FIG. 7

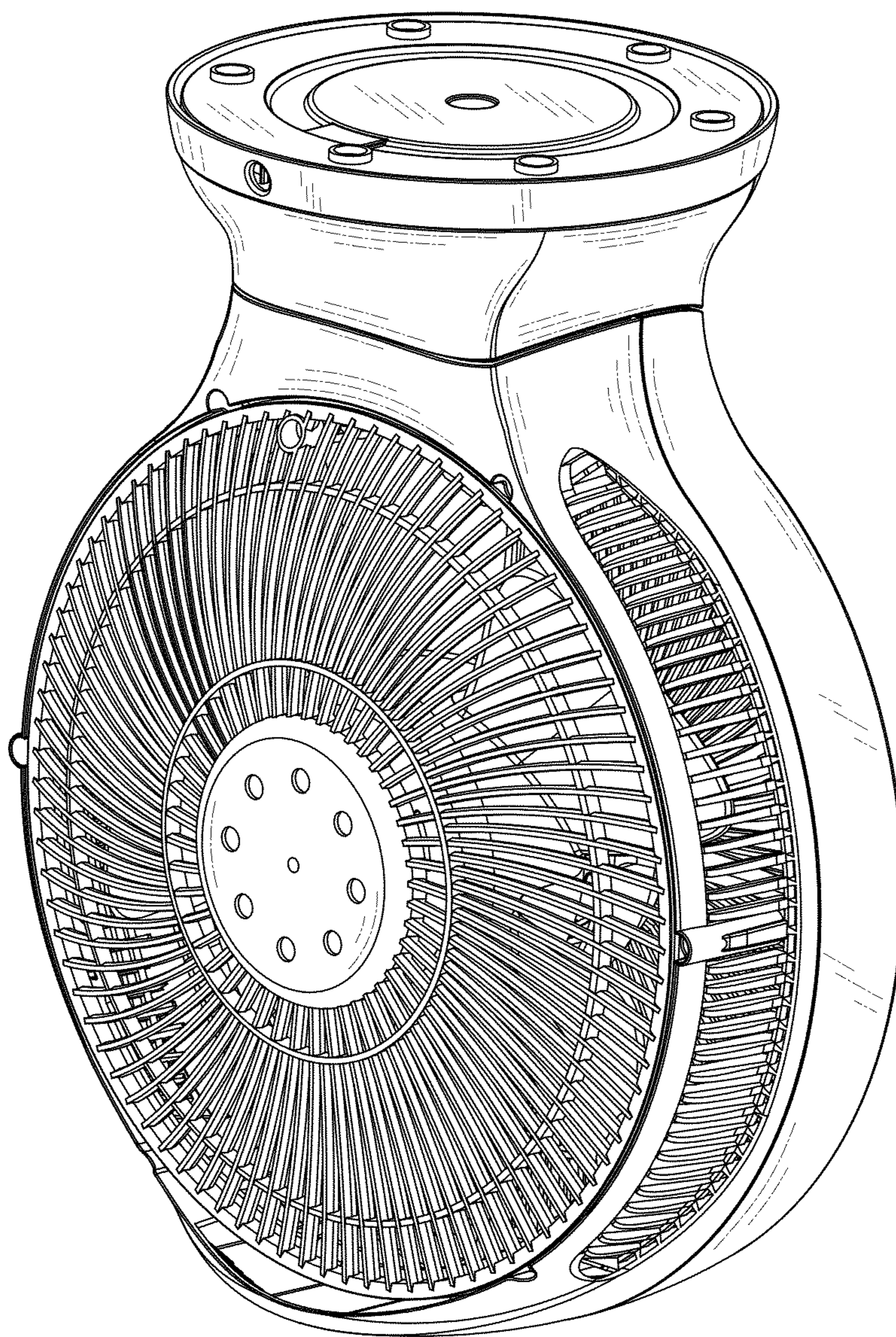


FIG. 8