



US00D686307S

(12) **United States Design Patent**  
**Rejkowski et al.**

(10) **Patent No.:** **US D686,307 S**

(45) **Date of Patent:** **\*\* Jul. 16, 2013**

(54) **CONTROL PANEL FOR VEHICLE HEATING AND AIR CONDITIONING SYSTEMS**

*Primary Examiner* — T. Chase Nelson

*Assistant Examiner* — Ania Aman

(75) Inventors: **Michael W. Rejkowski**, Irving, TX (US); **Stephen J. Sexton**, McKinney, TX (US)

(73) Assignee: **Classic Auto Air Manufacturing LP**, Cleveland, OH (US)

(\*\*) Term: **14 Years**

(21) Appl. No.: **29/426,569**

(22) Filed: **Jul. 6, 2012**

(51) **LOC (9) Cl.** ..... **12-16**

(52) **U.S. Cl.**  
USPC ..... **D23/324**

(58) **Field of Classification Search**  
USPC ..... D23/314, 324, 325, 326, 327; D10/50, D10/49, 60, 103; D12/400, 192; D14/247, D14/258; 361/694; 236/1 C; 62/131  
See application file for complete search history.

(56) **References Cited**

U.S. PATENT DOCUMENTS

6,378,388 B1 \* 4/2002 Lacroix ..... 74/10.85  
2006/0092129 A1 \* 5/2006 Choquet et al. .... 345/156

\* cited by examiner

(57) **CLAIM**

The ornamental design for a control panel for vehicle heating and air conditioning systems, as shown and described.

**DESCRIPTION**

FIG. 1 is a perspective front view of a control panel for a vehicle heating and air conditioning system showing the design;

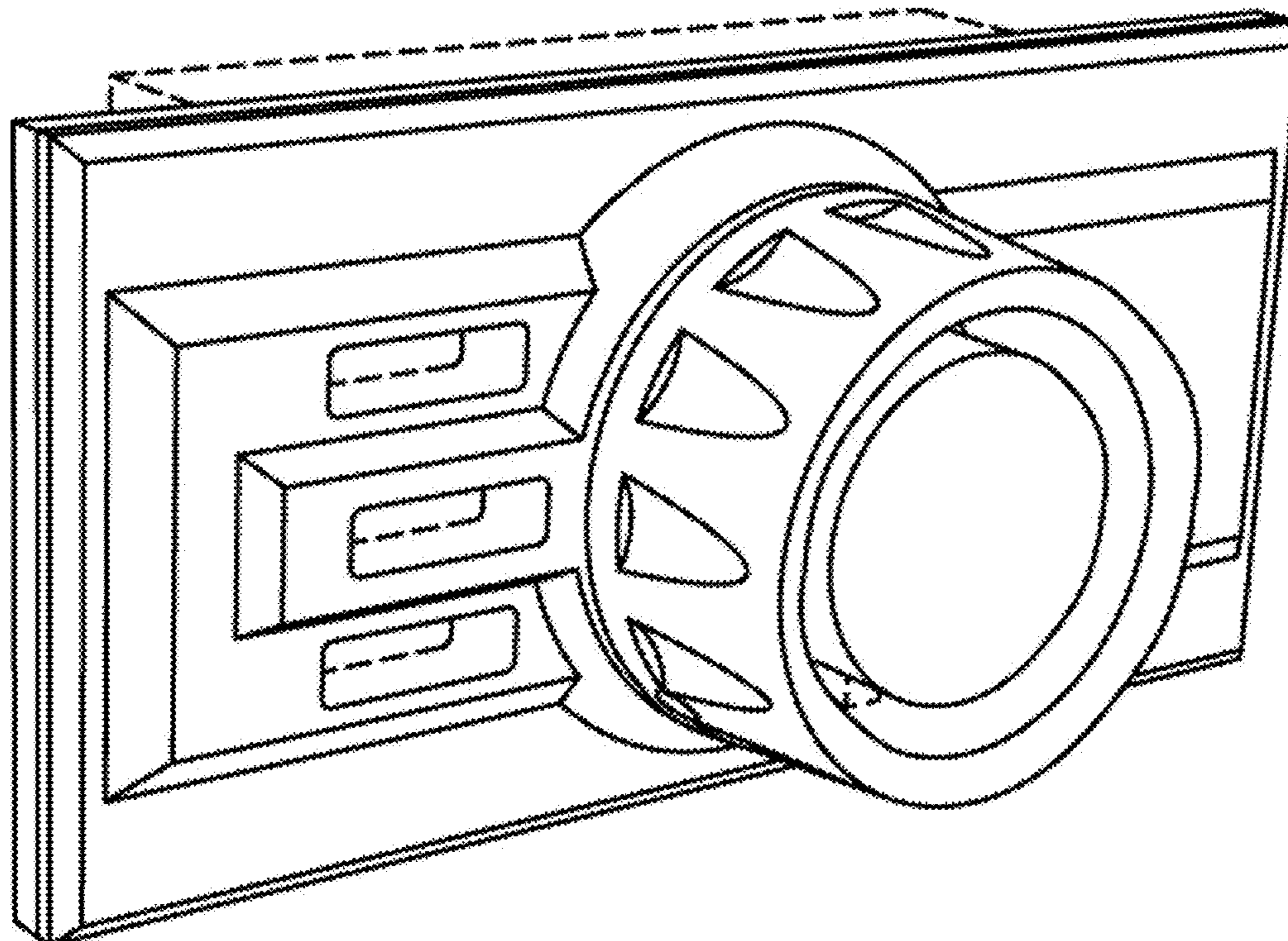
FIG. 2 is a top view of the control panel for a vehicle heating and air conditioning system of FIG. 1;

FIG. 3 is a front view of the control panel design of FIG. 1; FIG. 4 is a right end view of the control panel design of FIG. 1;

FIG. 5 is a left end view of the control panel design of FIG. 1; FIG. 6 is a bottom view of the control panel design of FIG. 1; and,

FIG. 7 is a rear view of the control panel design of FIG. 1. The broken lines are provided solely for illustrative purposes and form no part of the claimed design.

**1 Claim, 2 Drawing Sheets**



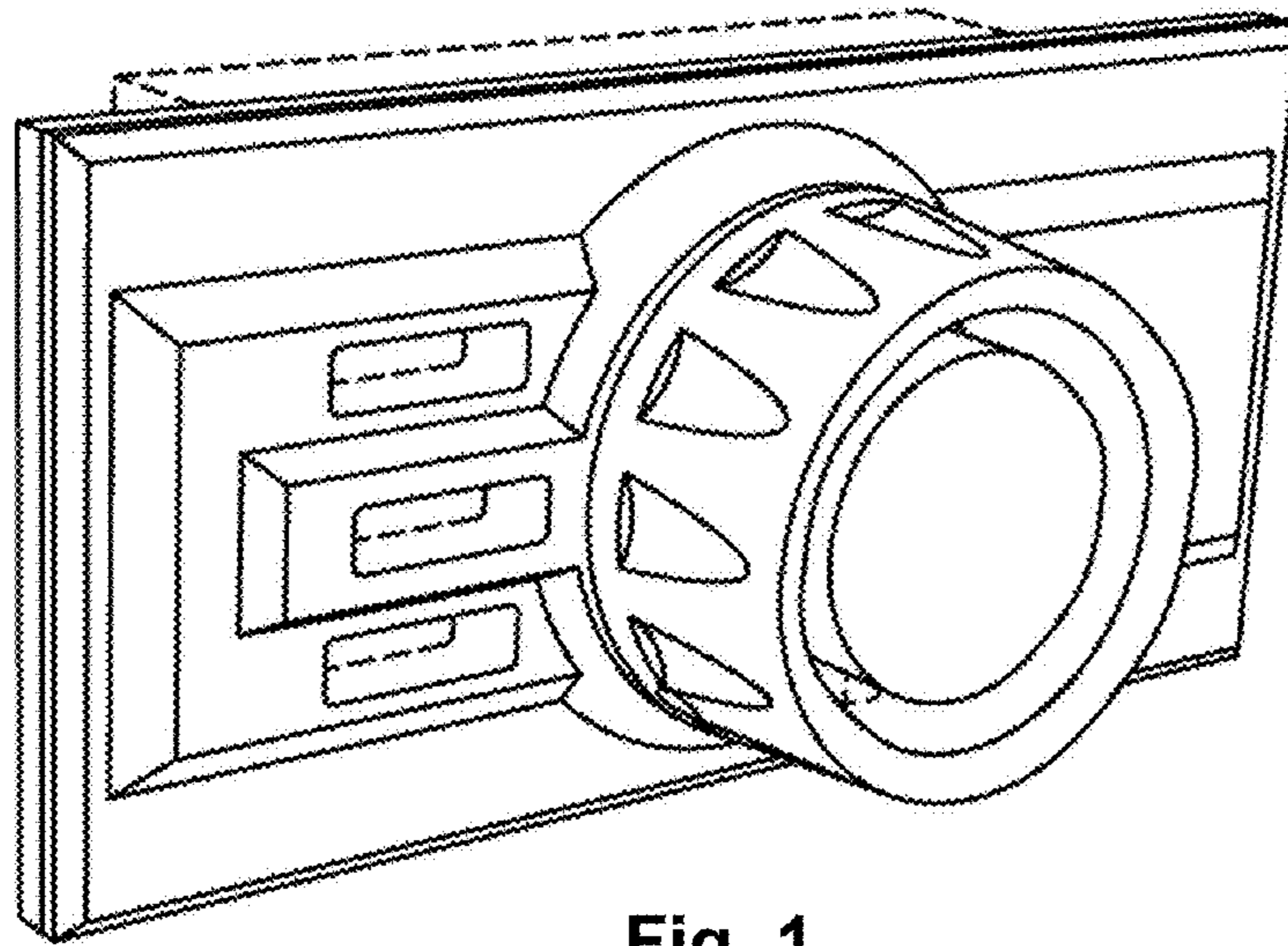


Fig. 1

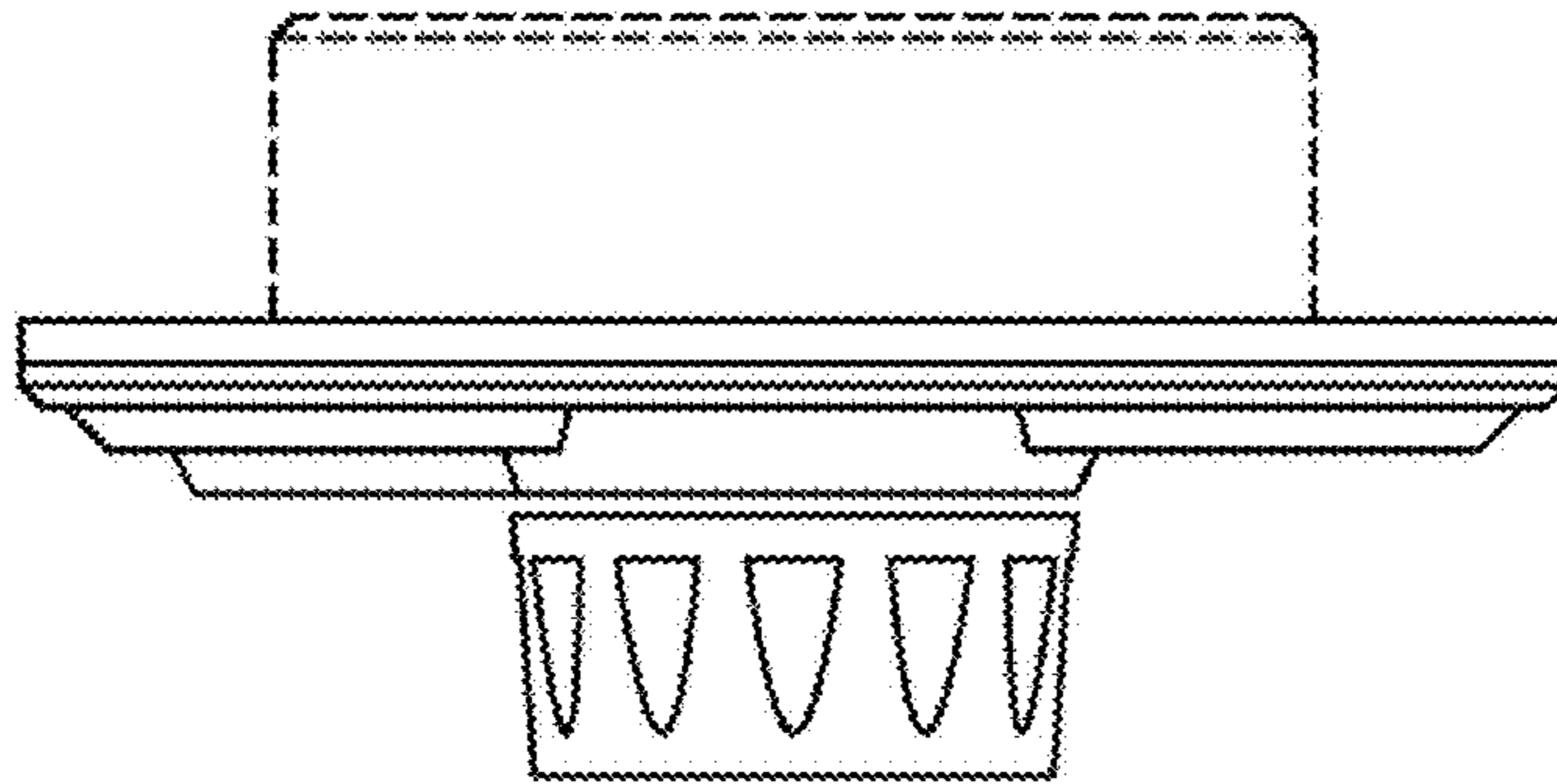


Fig. 2

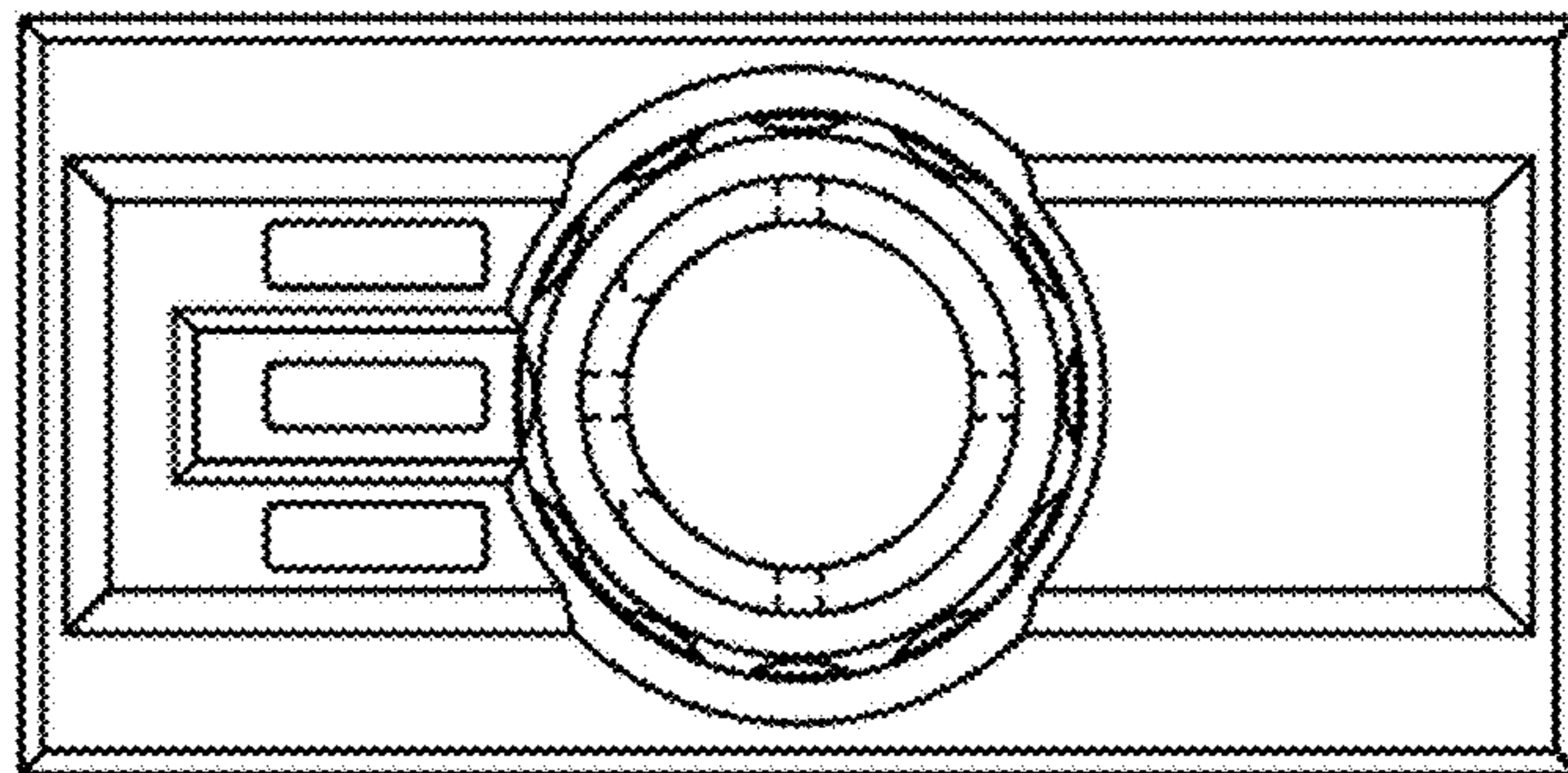


Fig. 3

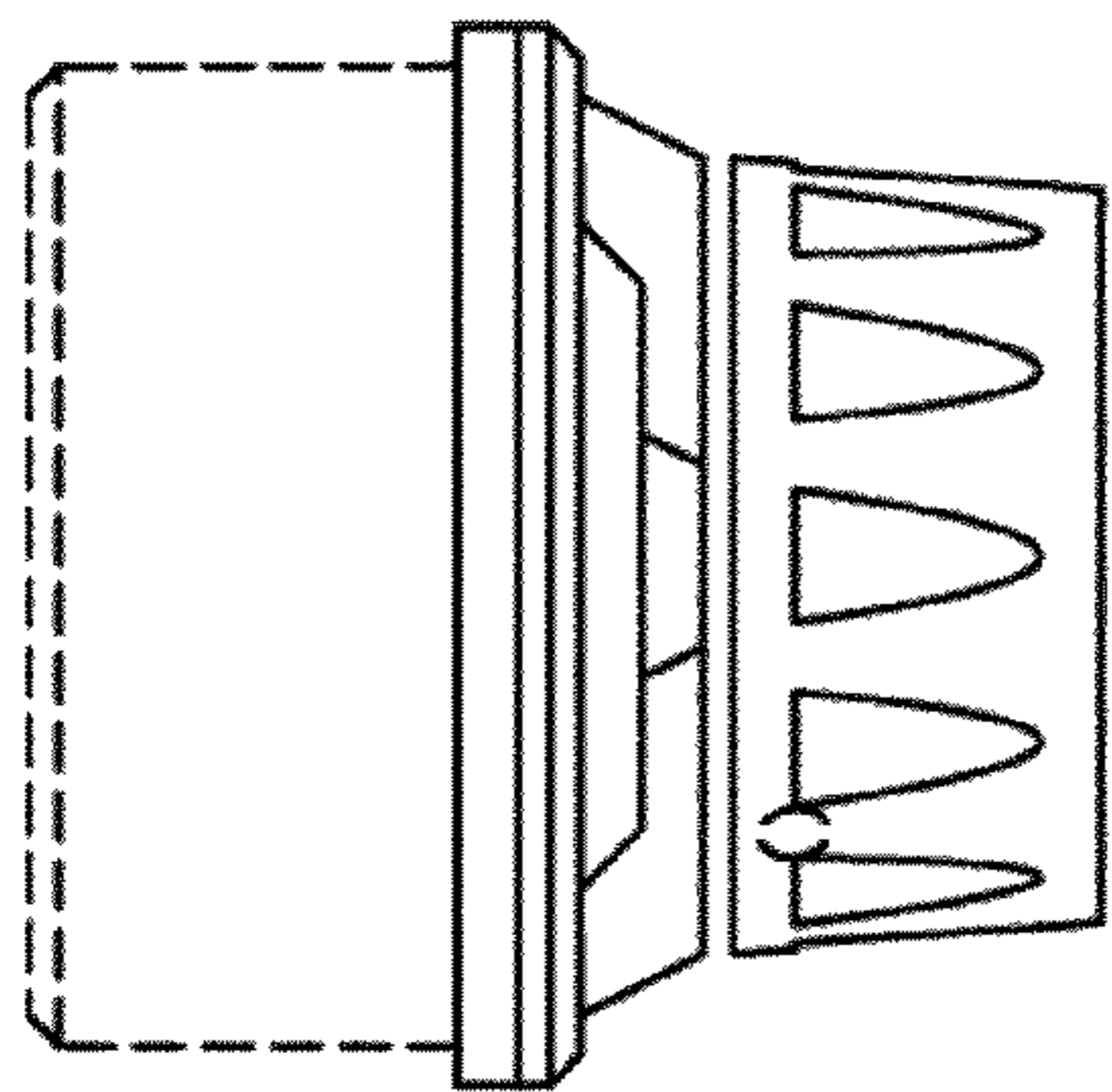


Fig. 4

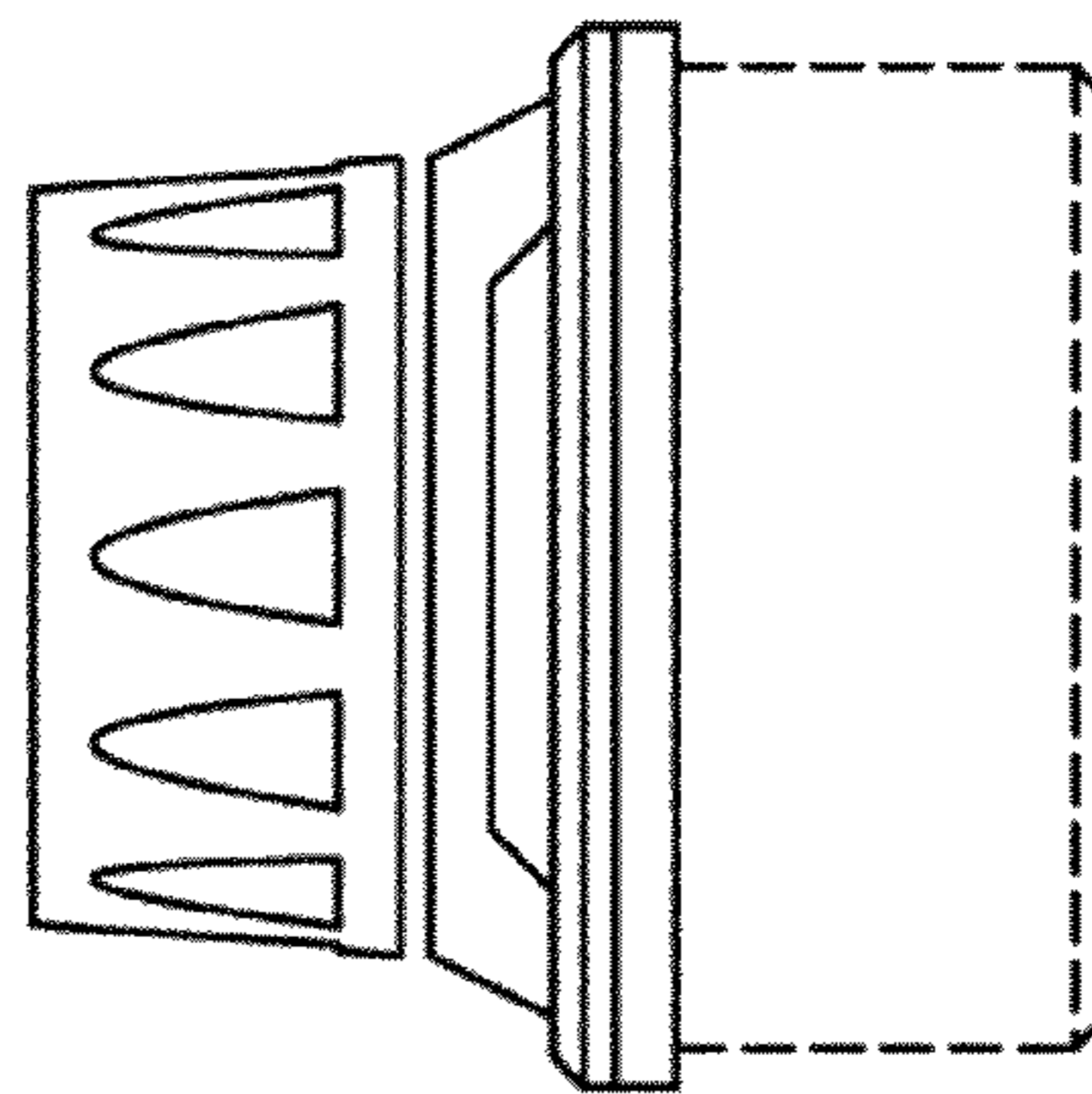


Fig. 5

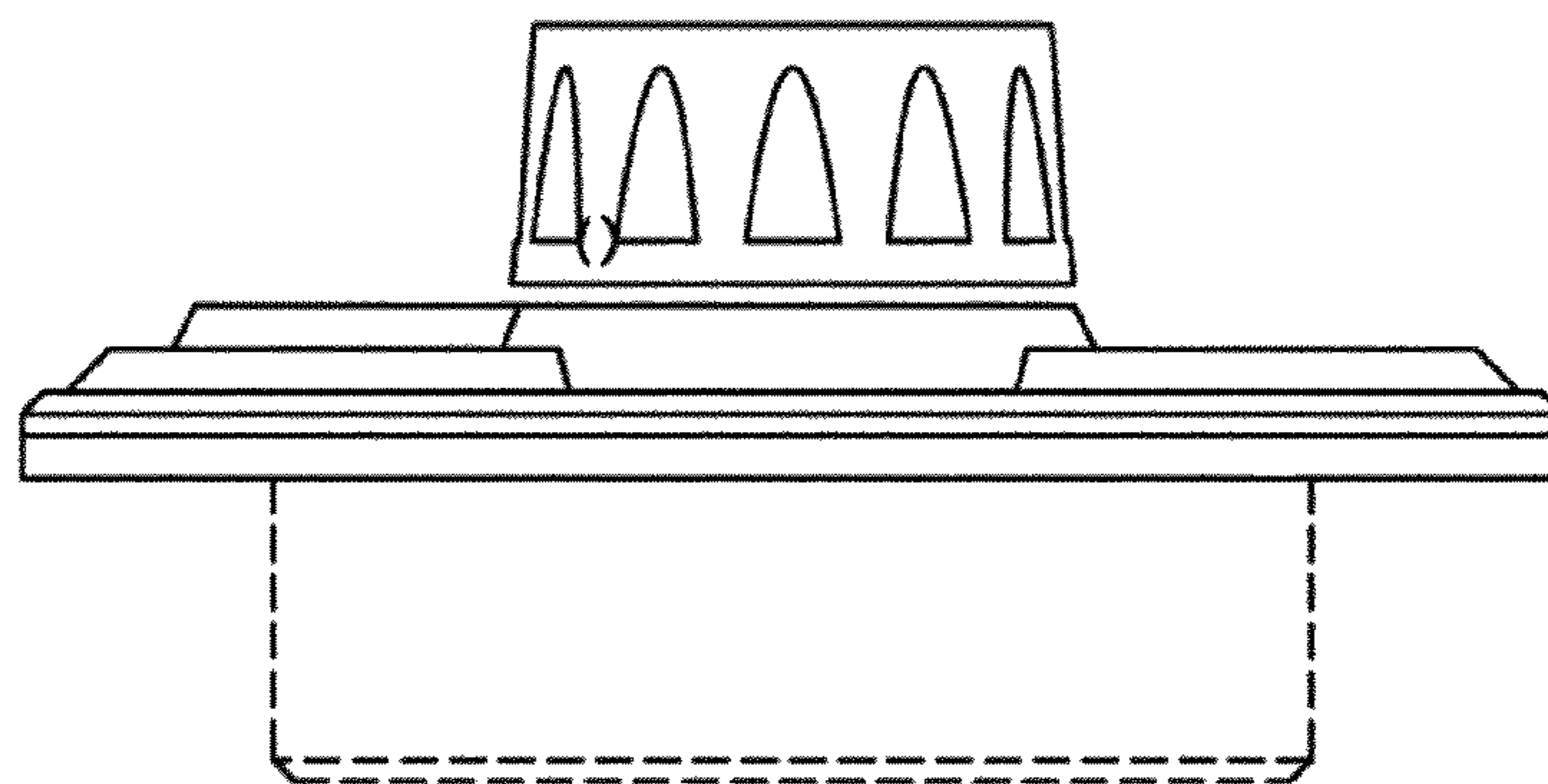


Fig. 6

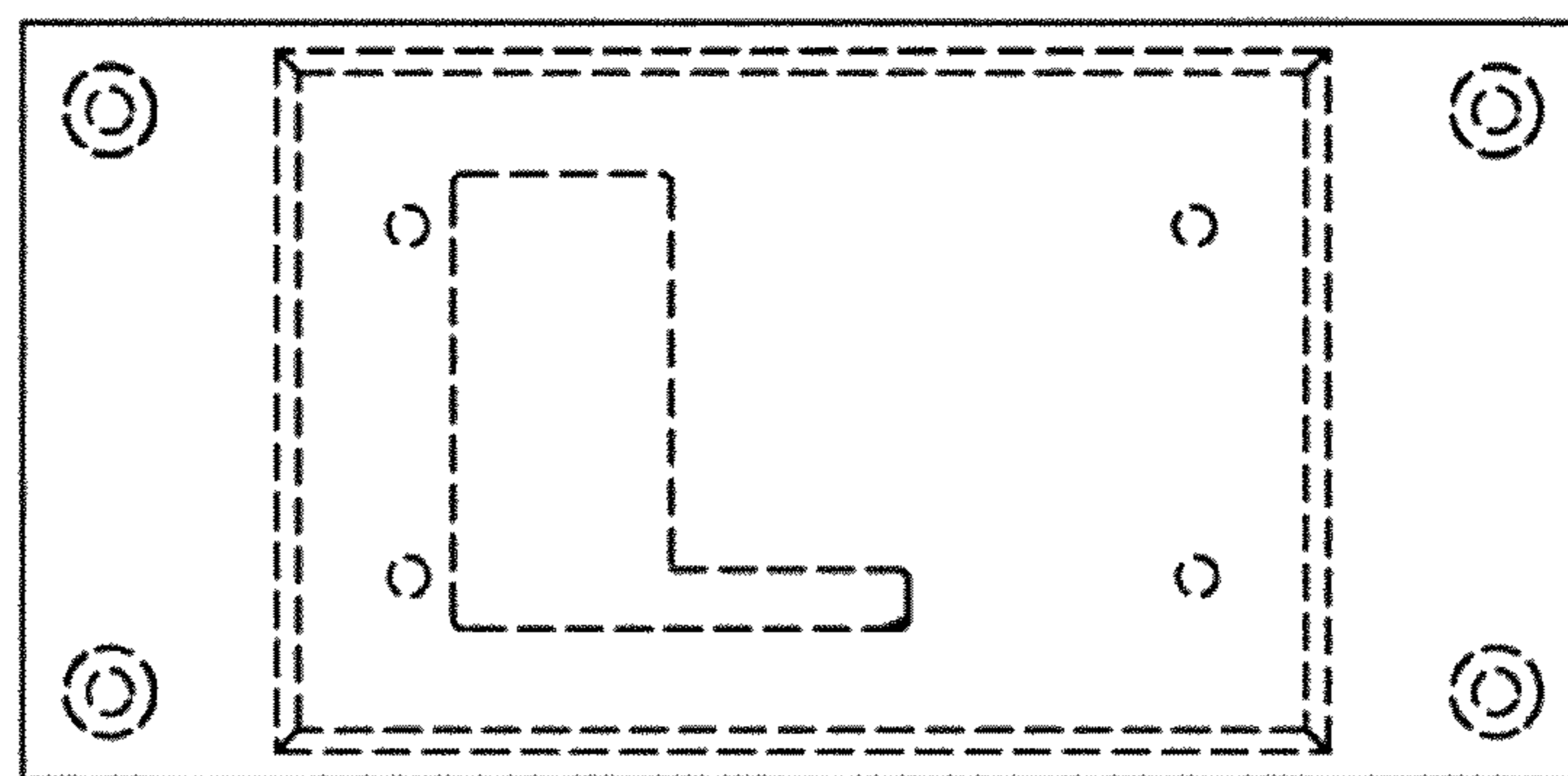


Fig. 7