



US00D686306S

(12) **United States Design Patent**  
**Grether**

(10) **Patent No.:** **US D686,306 S**  
(45) **Date of Patent:** **\*\* Jul. 16, 2013**

- (54) **SWIVEL ADAPTER FOR FAUCETS**
- (75) Inventor: **Hermann Grether**, Mulheim (DE)
- (73) Assignee: **NEOPERL GmbH**, Mullheim (DE)
- (\*\*) Term: **14 Years**
- (21) Appl. No.: **29/393,124**
- (22) Filed: **May 31, 2011**

D538,404 S	3/2007	Campbell	
D541,375 S	4/2007	Buttgen	
D550,333 S	9/2007	Bamberger et al.	
D556,856 S *	12/2007	Buttgen	D23/213
D563,530 S *	3/2008	Moris	D23/264
7,398,954 B2	7/2008	Heren et al.	
D613,370 S	4/2010	Allard et al.	
D614,270 S *	4/2010	Green et al.	D23/266

(Continued)

*Primary Examiner* — Eric Goodman  
(74) *Attorney, Agent, or Firm* — Volpe and Koenig, P.C.

**Related U.S. Application Data**

- (63) Continuation-in-part of application No. 29/291,910, filed on Sep. 19, 2007, now Pat. No. Des. 638,918.

**Foreign Application Priority Data**

- (30) Mar. 20, 2007 (EM) ..... 000691530
- Aug. 8, 2007 (EM) ..... 000771423

- (51) **LOC (9) Cl.** ..... **23-01**

- (52) **U.S. Cl.**  
USPC ..... **D23/264**

- (58) **Field of Classification Search**  
USPC ..... D23/223, 229, 259–269; D8/396,  
D8/397; 24/279; 285/251–253; 411/372,  
411/910; 239/459, 602  
See application file for complete search history.

(56) **References Cited**

U.S. PATENT DOCUMENTS

1,762,713 A	6/1930	Dill	
1,946,832 A	2/1934	Brandon	
2,201,065 A	5/1940	Toolan	
3,210,040 A	10/1965	Thurlow	
3,226,096 A	12/1965	Ranson	
3,638,968 A *	2/1972	Barks	285/8
D361,371 S	8/1995	McQuillan	
6,528,467 B1 *	3/2003	Takemura et al.	510/195
7,051,763 B2 *	5/2006	Heren	137/883

(57) **CLAIM**

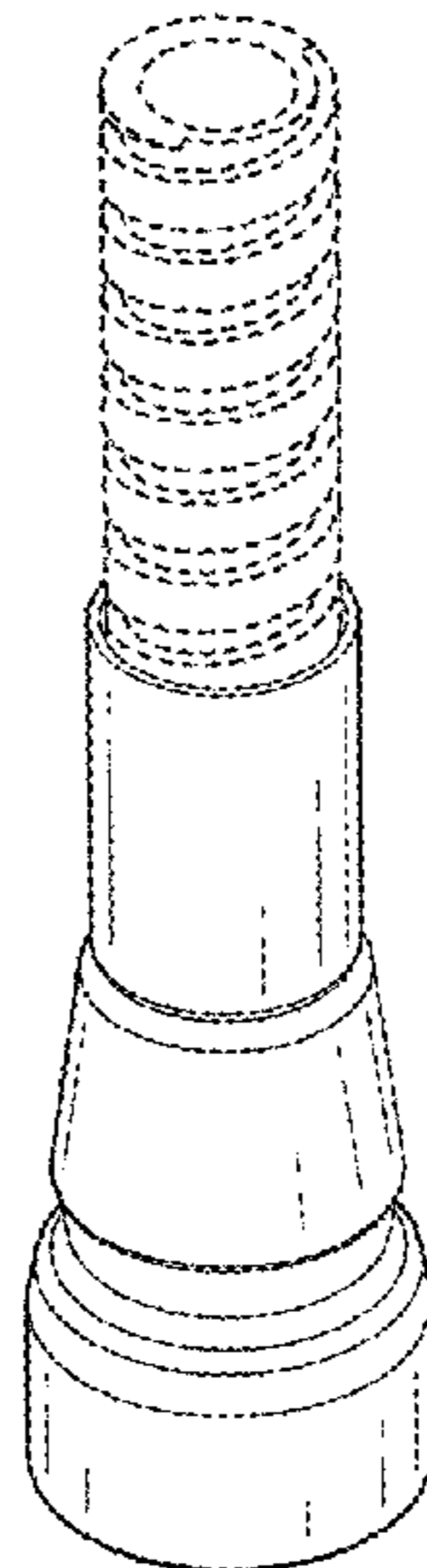
The ornamental design for a swivel adapter for faucets, as shown and described.

**DESCRIPTION**

FIG. 1 is a top perspective view of a swivel adapter for faucets in an unswiveled position showing my new design;  
 FIG. 2 is a front elevational view thereof, which is also representative of a rear elevational view, a left-side elevational view, and a right-side elevational view;  
 FIG. 3 is a bottom plan view thereof;  
 FIG. 4 is a top plan view thereof;  
 FIG. 5 is a bottom perspective view thereof;  
 FIG. 6 is a top perspective view thereof, showing the adapter in a swiveled position;  
 FIG. 7 is a left-side elevational view of the adapter shown in FIG. 6, the right-side elevational view being a mirror image thereof;  
 FIG. 8 is a rear elevational view of the adapter shown in FIG. 6;  
 FIG. 9 is a bottom plan view of the adapter shown in FIG. 6;  
 FIG. 10 is a top plan view of the adapter shown in FIG. 6; and,  
 FIG. 11 is a bottom perspective view of the adapter shown in FIG. 6.

The broken lines in the drawings are for illustrative purposes only and form no part of the claimed design.

**1 Claim, 2 Drawing Sheets**



# US D686,306 S

Page 2

---

## U.S. PATENT DOCUMENTS

D616,969 S	6/2010	Zore		2005/0241706 A1	11/2005	Heren	
D633,601 S *	3/2011	Grether	..... D23/264	2006/0017037 A1	1/2006	Heren et al.	
D633,990 S *	3/2011	Grether	..... D23/264	2006/0180681 A1	8/2006	Lau	
D638,918 S *	5/2011	Grether	..... D23/263	2009/0090661 A1	4/2009	Tanner et al.	
D638,919 S *	5/2011	Grether	..... D23/264	2009/0263184 A1	10/2009	Riedel et al.	
2004/0199995 A1	10/2004	Bui		2011/0123293 A1*	5/2011	Matlock et al.	..... 411/429

\* cited by examiner

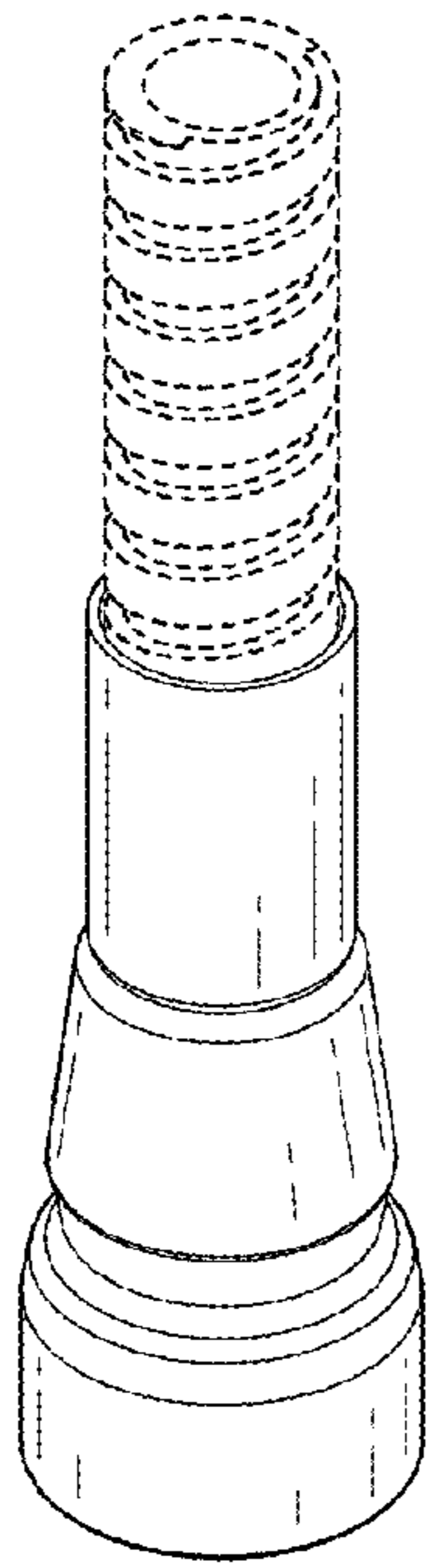


FIG. 1

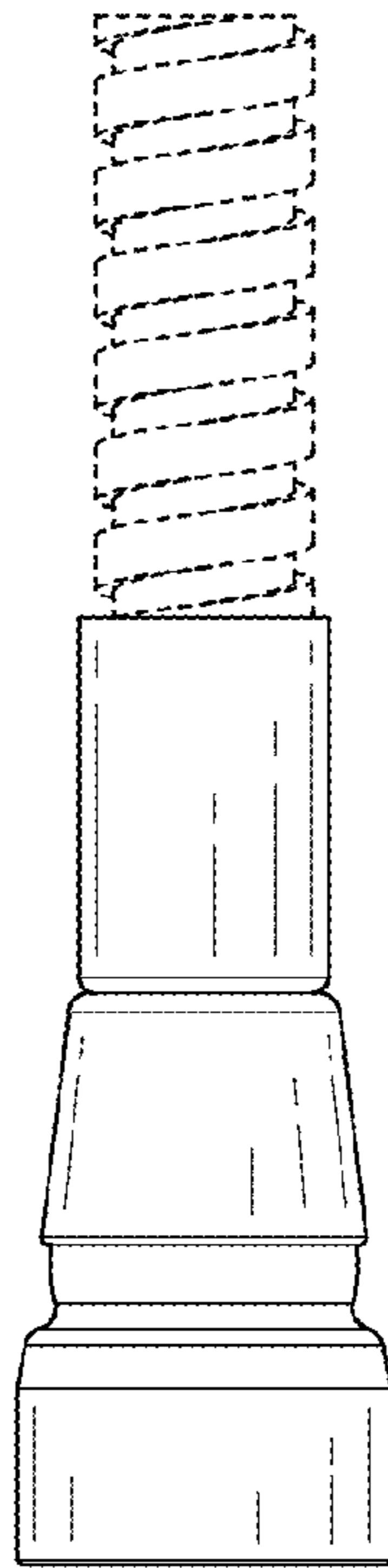


FIG. 2

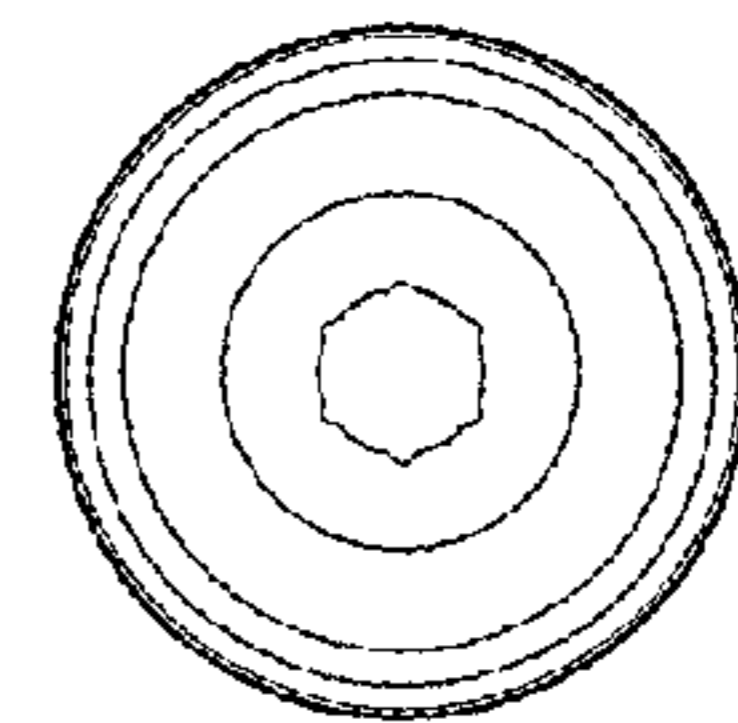


FIG. 3

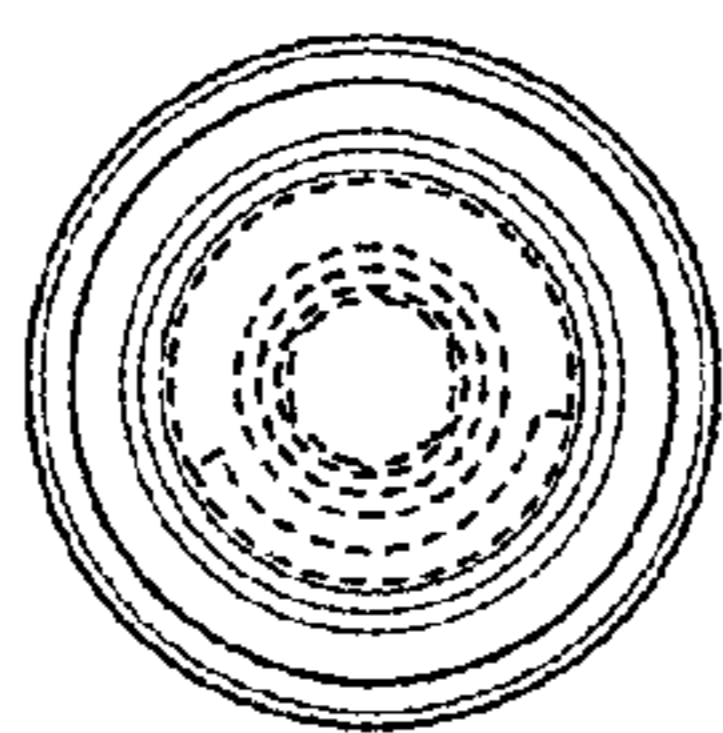


FIG. 4

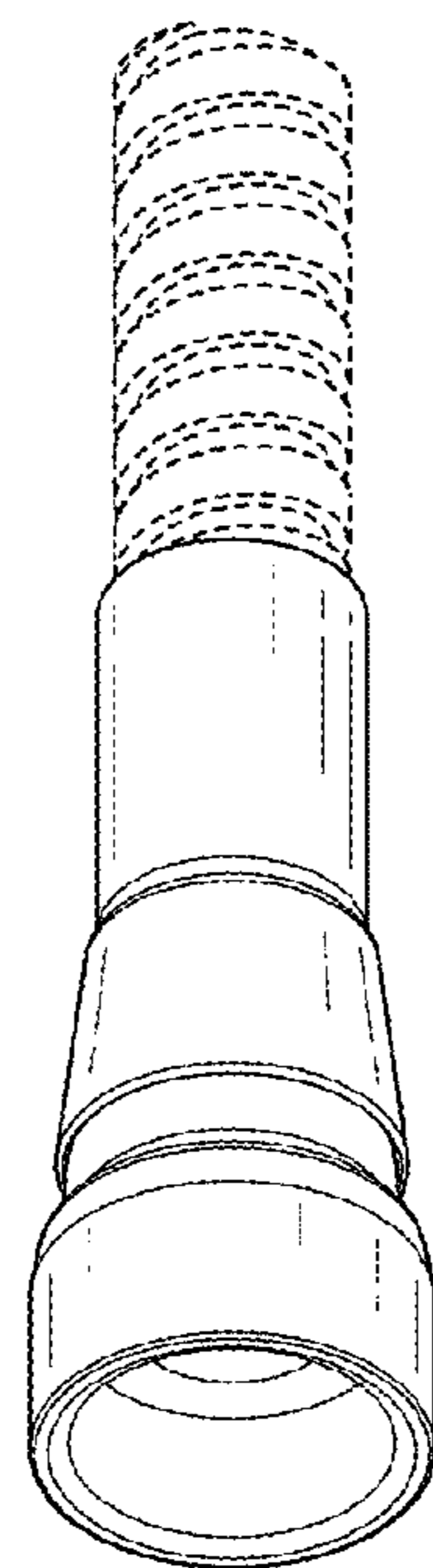


FIG. 5

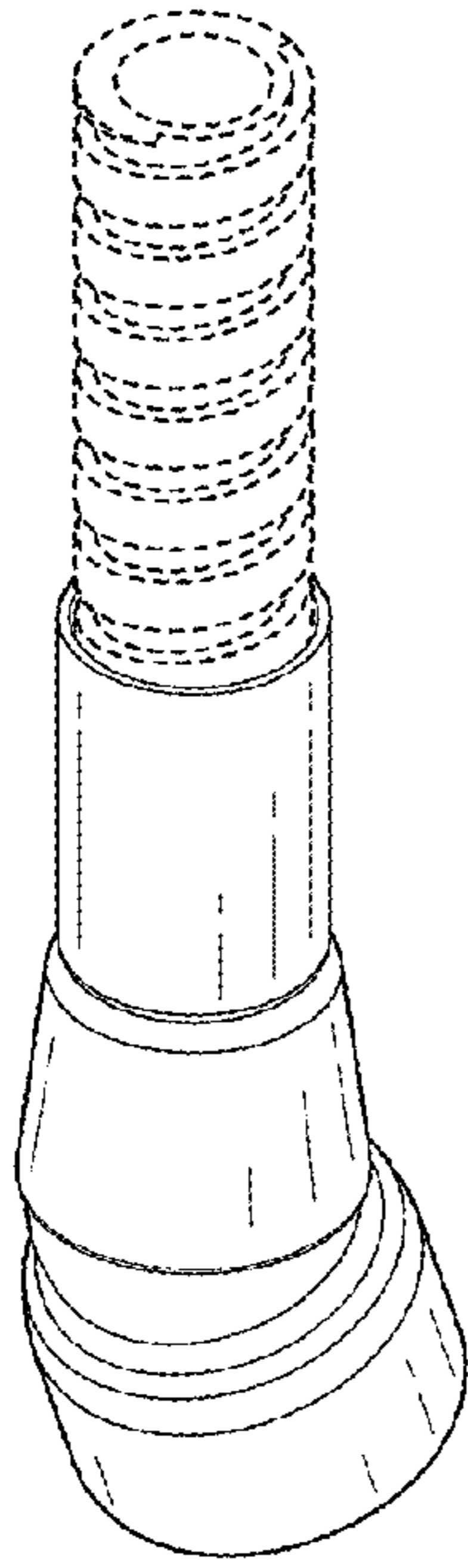


FIG. 6

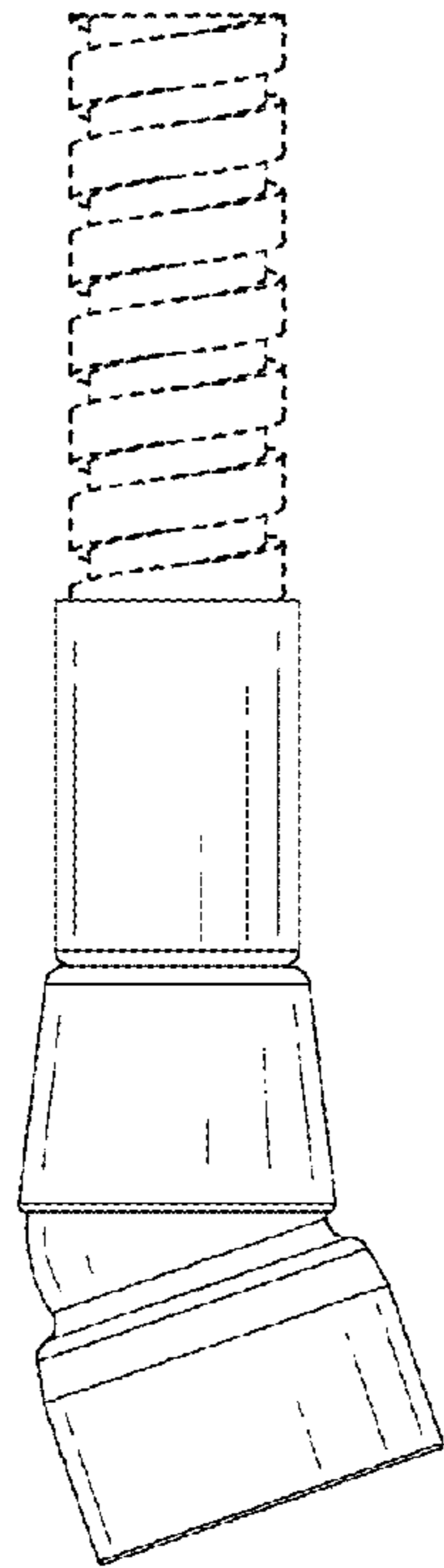


FIG. 7

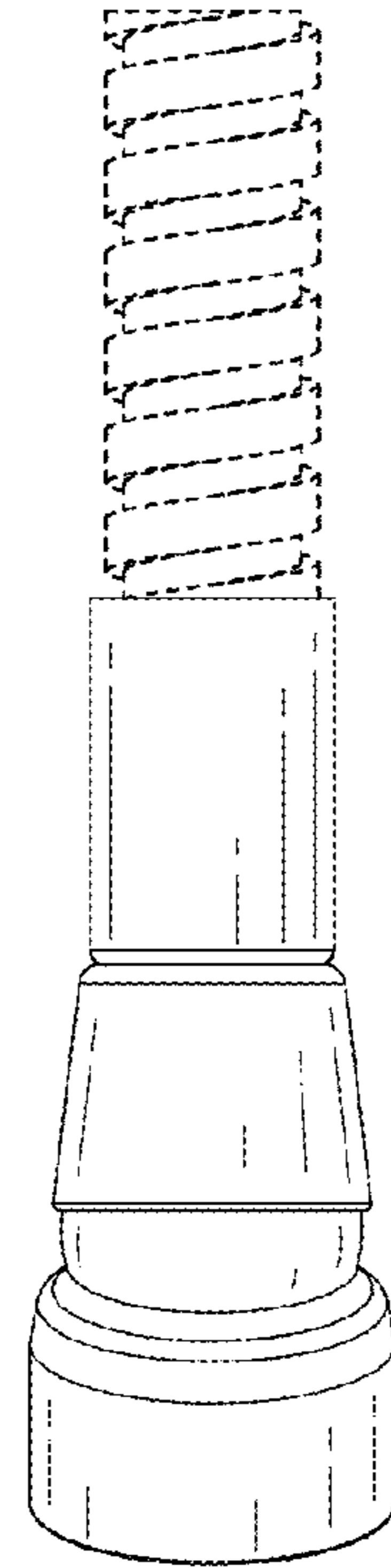


FIG. 8

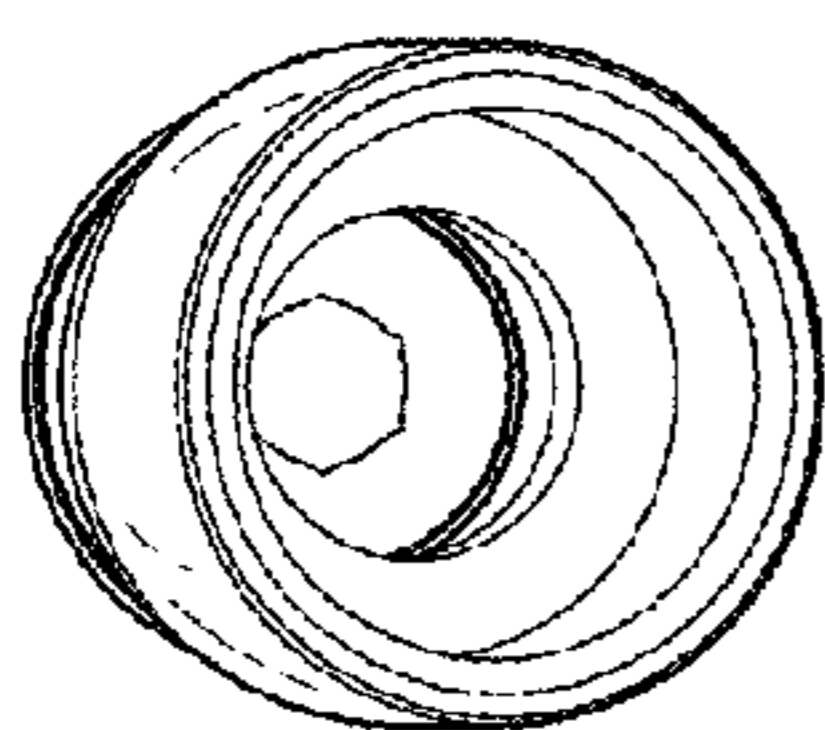


FIG. 9

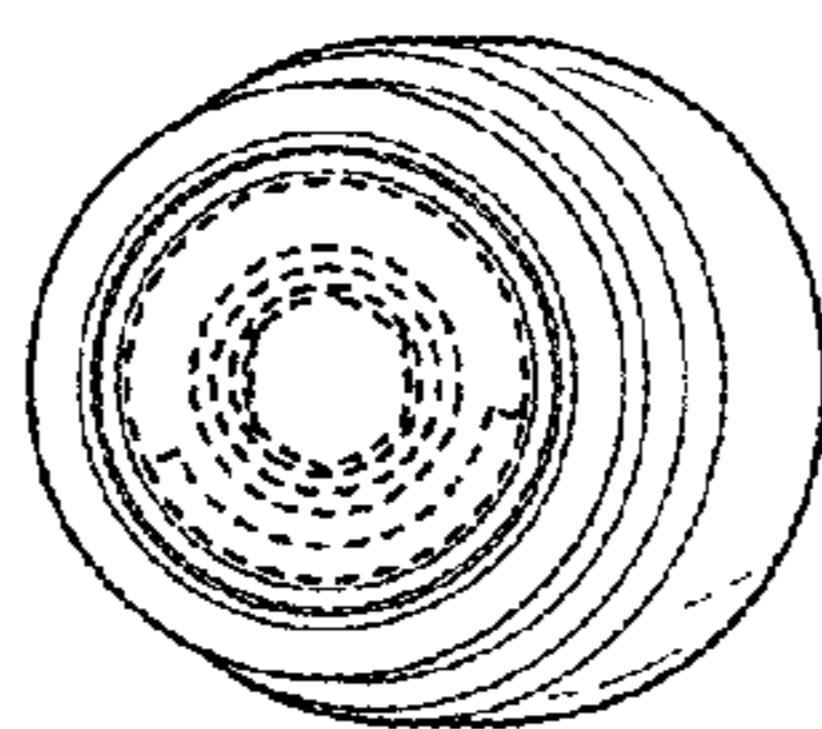


FIG. 10

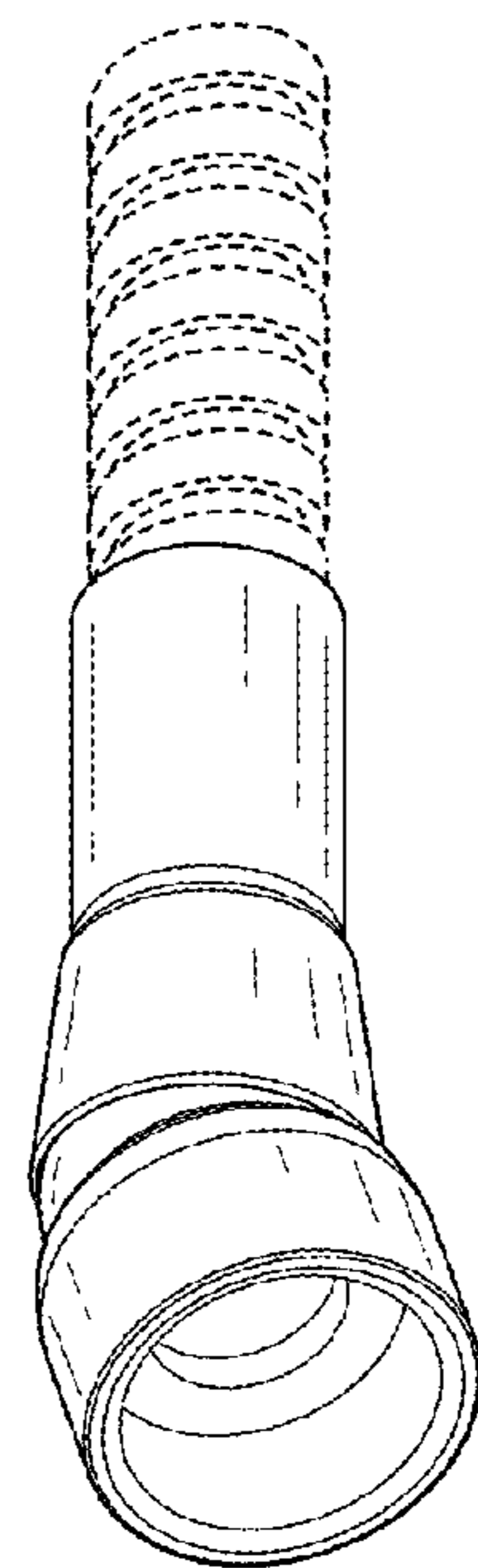


FIG. 11