



US00D686302S

(12) **United States Design Patent**
Meyer et al.

(10) **Patent No.:** **US D686,302 S**

(45) **Date of Patent:** **** Jul. 16, 2013**

(54) **FAUCET HANDLE**

(75) Inventors: **Michael H. Meyer**, Sagamore Hills, OH
(US); **Michael A. Kolar**, North
Royalton, OH (US)

(73) Assignee: **The Meyer Company**, Cleveland, OH
(US)

(**) Term: **14 Years**

(21) Appl. No.: **29/424,685**

(22) Filed: **Jun. 14, 2012**

(51) **LOC (9) Cl.** **23-01**

(52) **U.S. Cl.**

USPC **D23/251**

(58) **Field of Classification Search**

USPC D23/238-243, 250-251; 4/675-678;
137/801; D11/90; D7/313, 390

See application file for complete search history.

(56) **References Cited**

U.S. PATENT DOCUMENTS

3,533,139 A * 10/1970 Gomes et al. 24/703.1
D299,518 S 1/1989 Yost
D347,267 S 5/1994 Yost

D348,923 S 7/1994 Yost
5,509,583 A * 4/1996 Dolson D7/313
D372,736 S * 8/1996 Stabler D23/250
D415,257 S * 10/1999 Abel D23/250
D534,093 S * 12/2006 Anastasiadis D11/90
D648,799 S * 11/2011 Shimizu D19/69

* cited by examiner

Primary Examiner — Robert Delehanty

(74) *Attorney, Agent, or Firm* — Fay Sharpe LLP

(57) **CLAIM**

The ornamental design for a faucet handle, as shown and described.

DESCRIPTION

FIG. 1 is an isometric view of the environment of a faucet including a faucet handle showing my new design; FIG. 2 is a front view of the faucet handle of FIG. 1; FIG. 3 is a side view of the faucet handle of FIG. 1; FIG. 4 is a rear view of the faucet handle of FIG. 1; FIG. 5 is a top view of the faucet handle of FIG. 1; and, FIG. 6 is a bottom view of the faucet handle of FIG. 1. Broken lines in the drawings are used to depict environment and to represent the boundary of the claimed design and do not form any part of the claimed design.

1 Claim, 3 Drawing Sheets

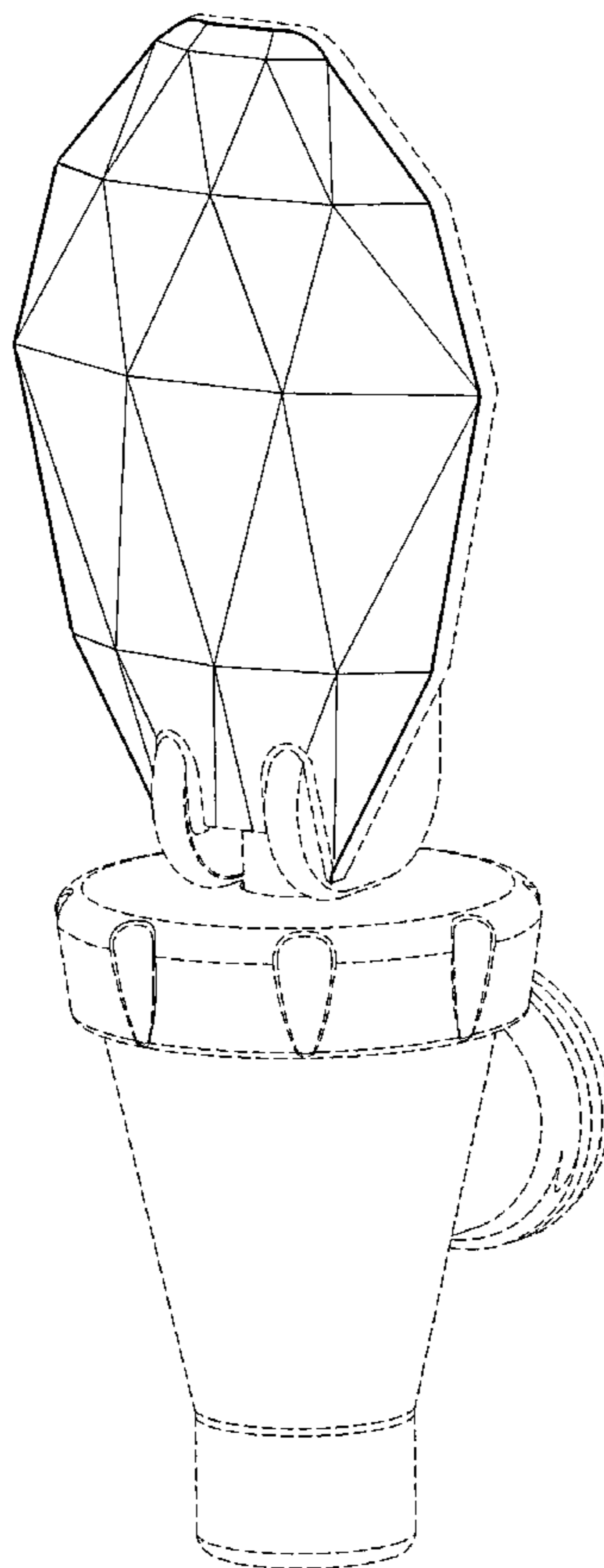
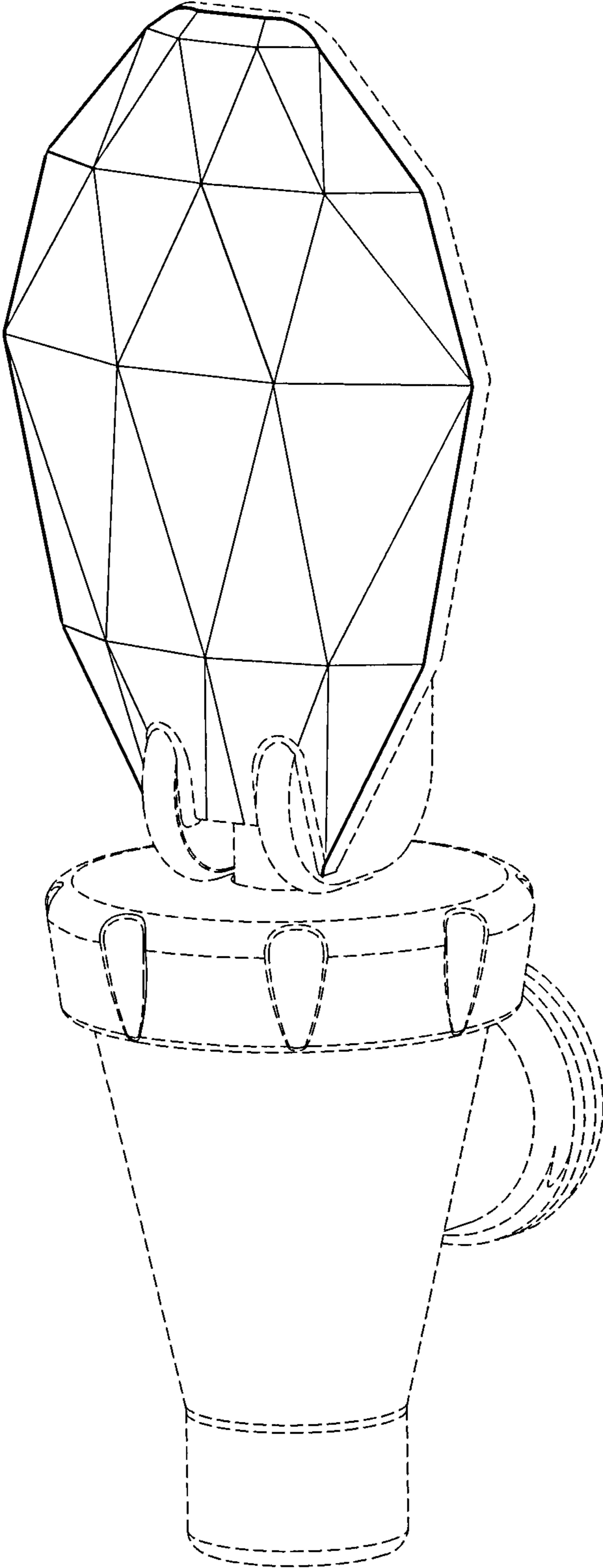


FIG. 1



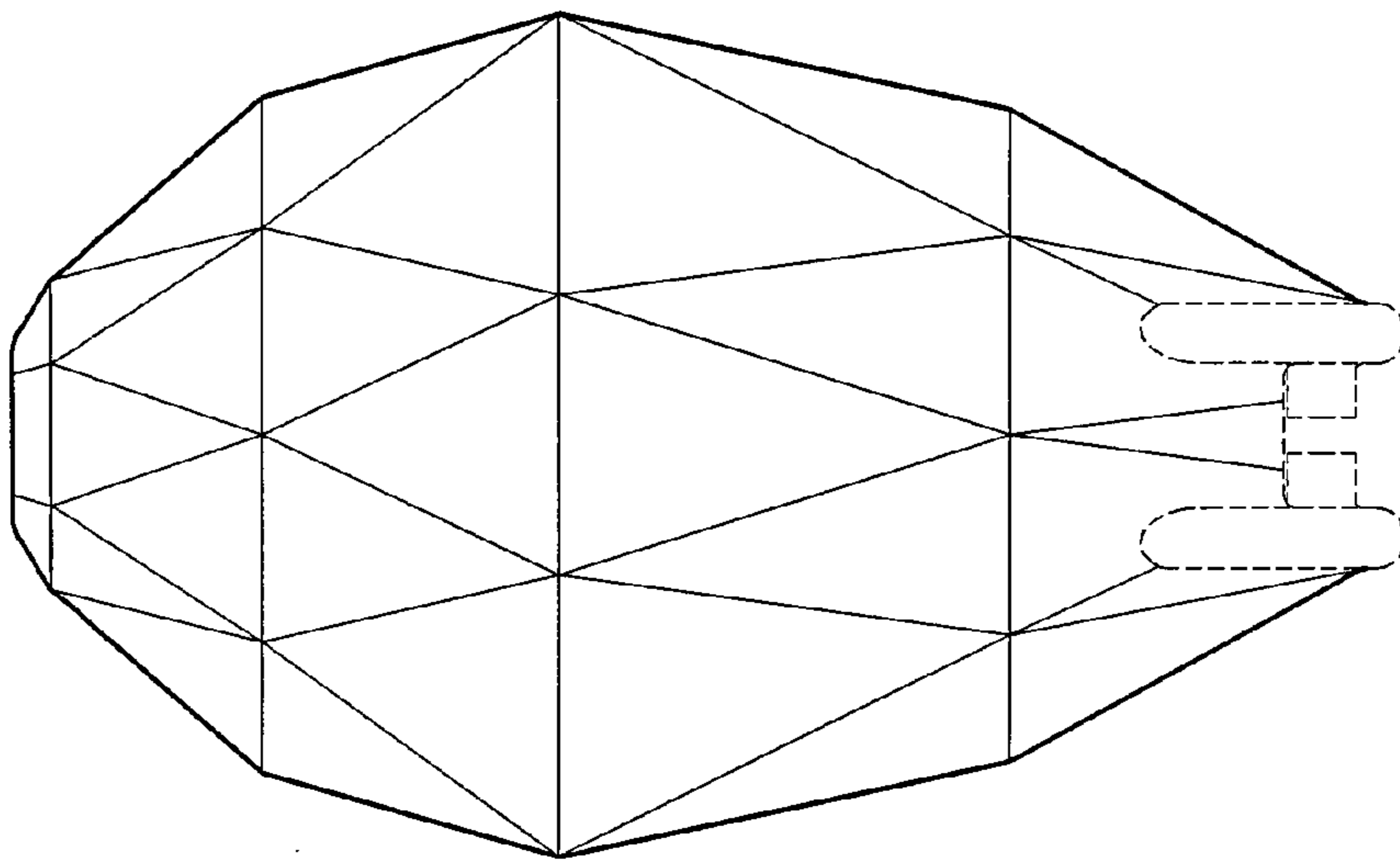


FIG. 2

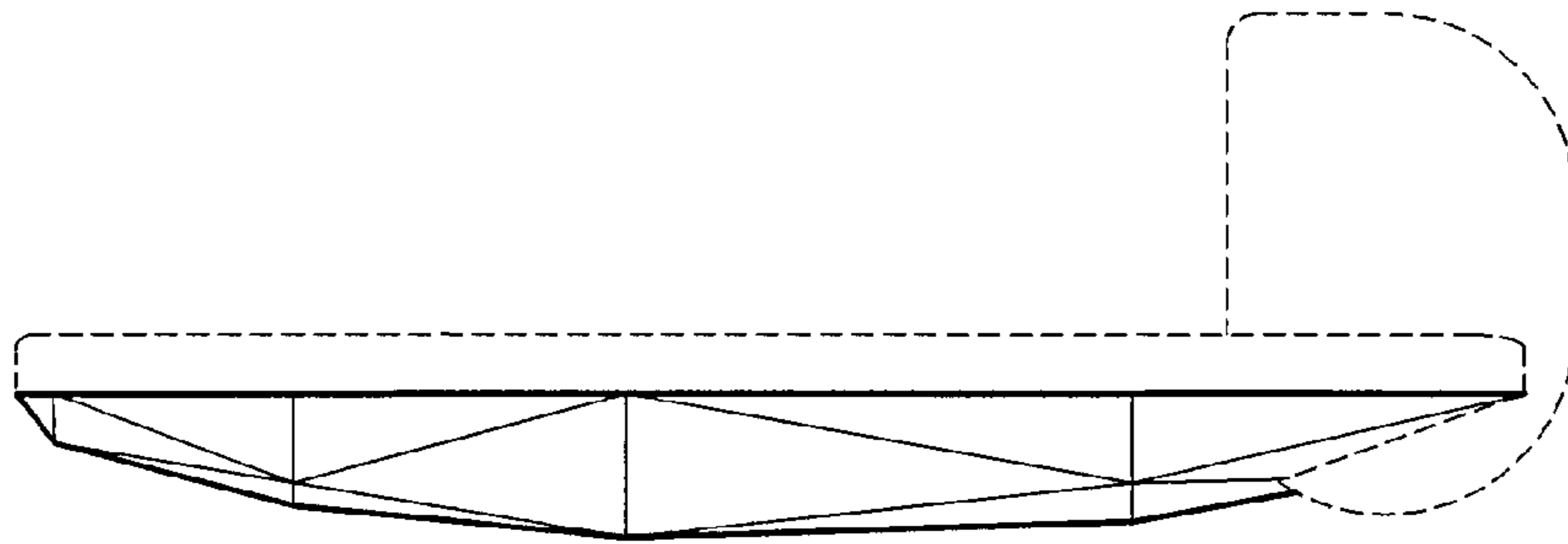


FIG. 3

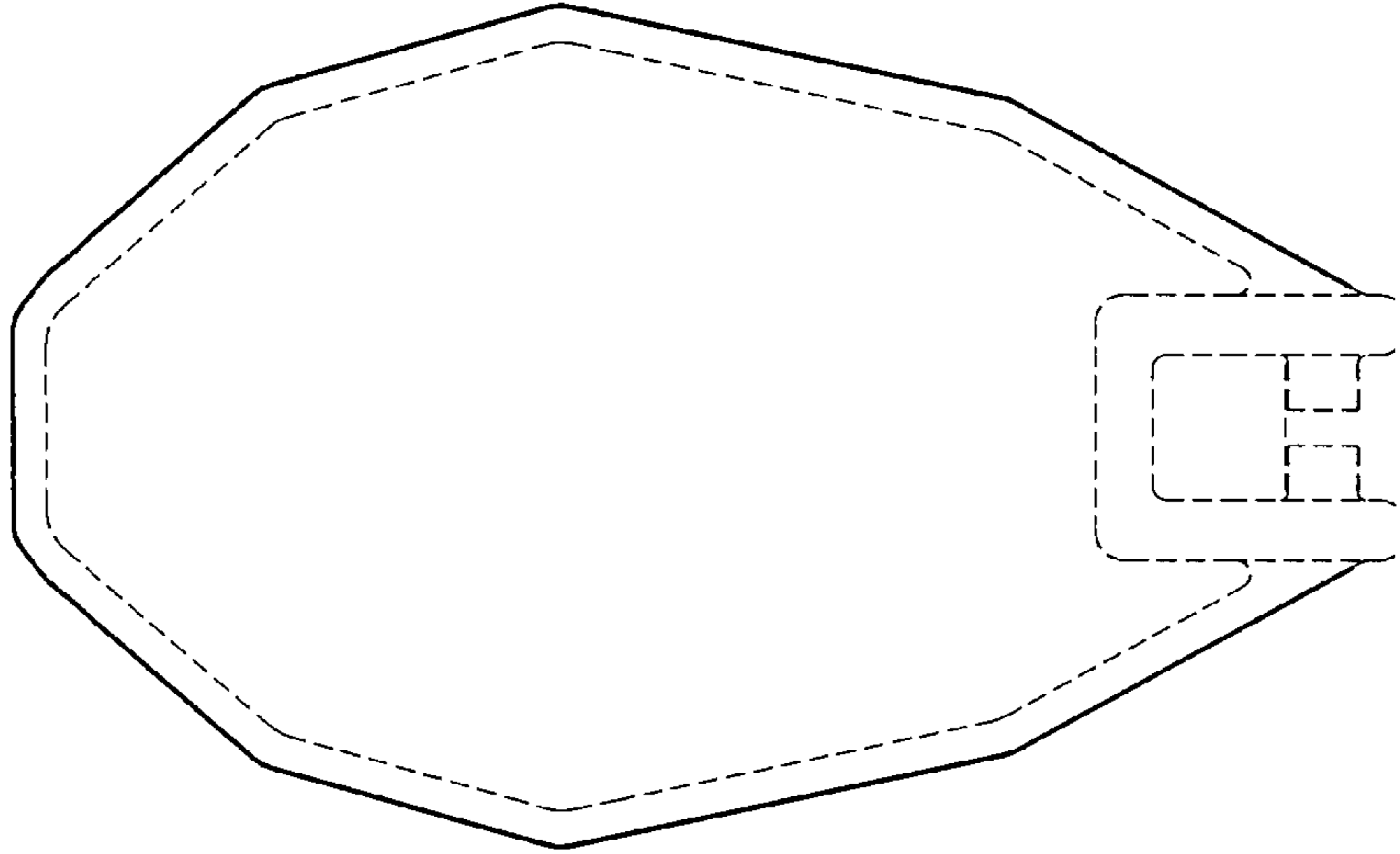


FIG. 4

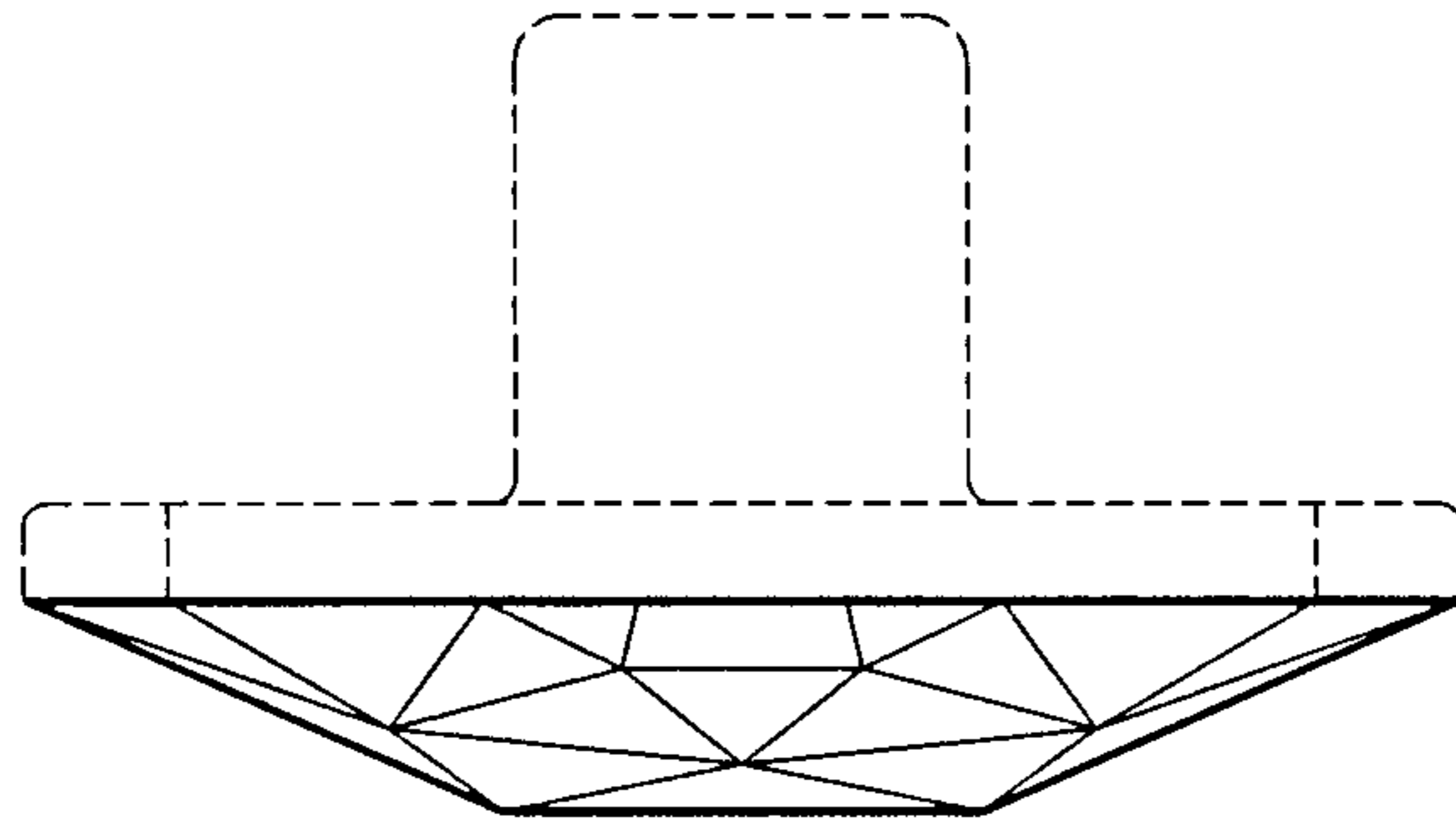


FIG. 5

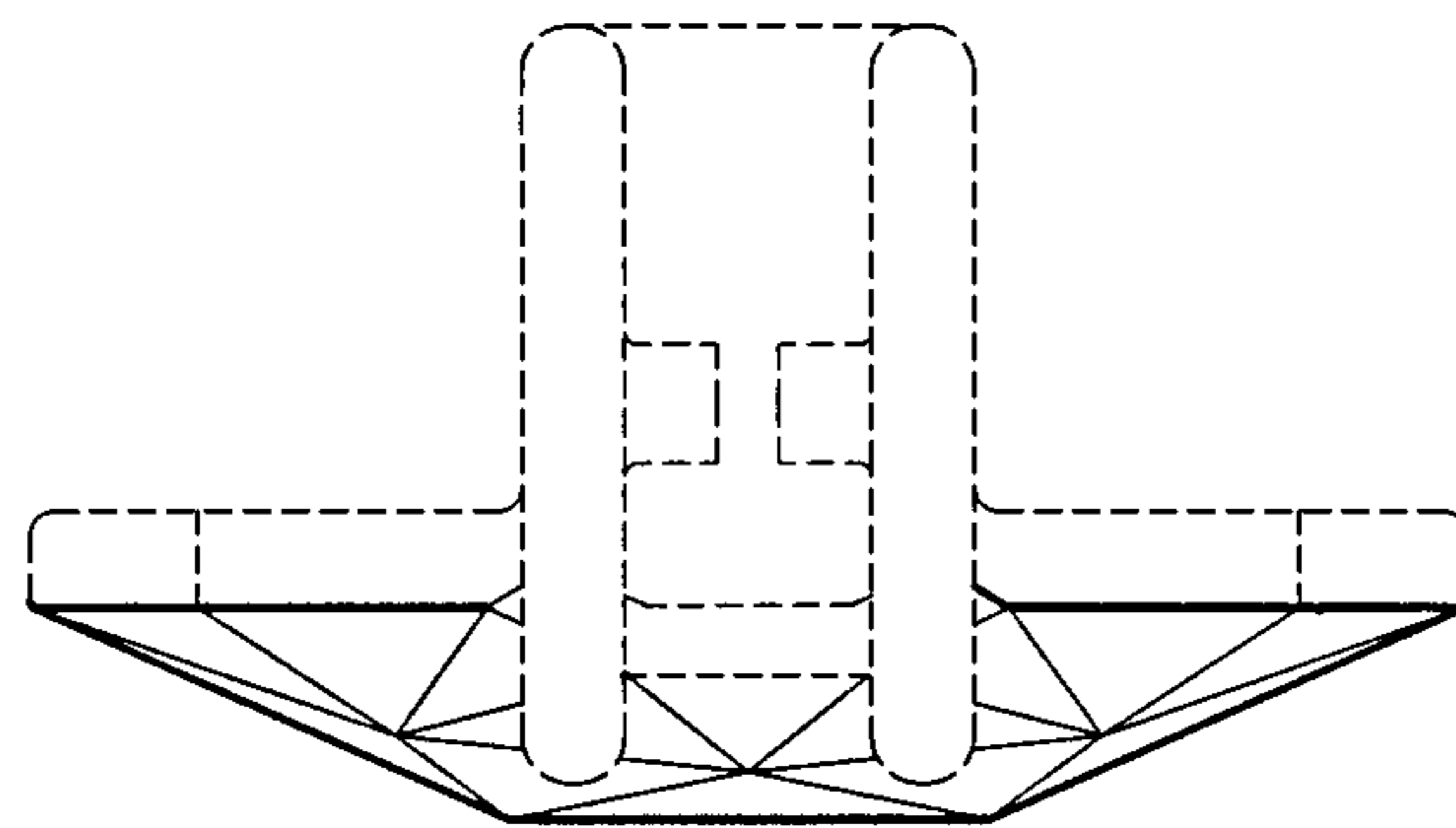


FIG. 6