



US00D686301S

(12) **United States Design Patent**
Fritz

(10) **Patent No.:** **US D686,301 S**

(45) **Date of Patent:** **** Jul. 16, 2013**

(54) **FAUCET BRIDGE**

(71) Applicant: **Masco Corporation of Indiana,**
Indianapolis, IN (US)

(72) Inventor: **Seth Fritz,** Carmel, IN (US)

(73) Assignee: **Masco Corporation of Indiana,**
Indianapolis, IN (US)

(**) Term: **14 Years**

(21) Appl. No.: **29/444,753**

(22) Filed: **Feb. 4, 2013**

(51) **LOC (9) Cl.** **23-01**

(52) **U.S. Cl.**
USPC **D23/249**

(58) **Field of Classification Search**
USPC D23/252, 249, 255, 257; 4/675-678;
137/801

See application file for complete search history.

(56) **References Cited**

U.S. PATENT DOCUMENTS

D472,308	S	*	3/2003	Hundley	D23/255
D516,681	S	*	3/2006	Gilbert	D23/249
D589,595	S	*	3/2009	Eilmus	D23/238

* cited by examiner

Primary Examiner — Robert Delehanty

(74) *Attorney, Agent, or Firm* — Edgar A. Zarins; Nirav D. Parikh

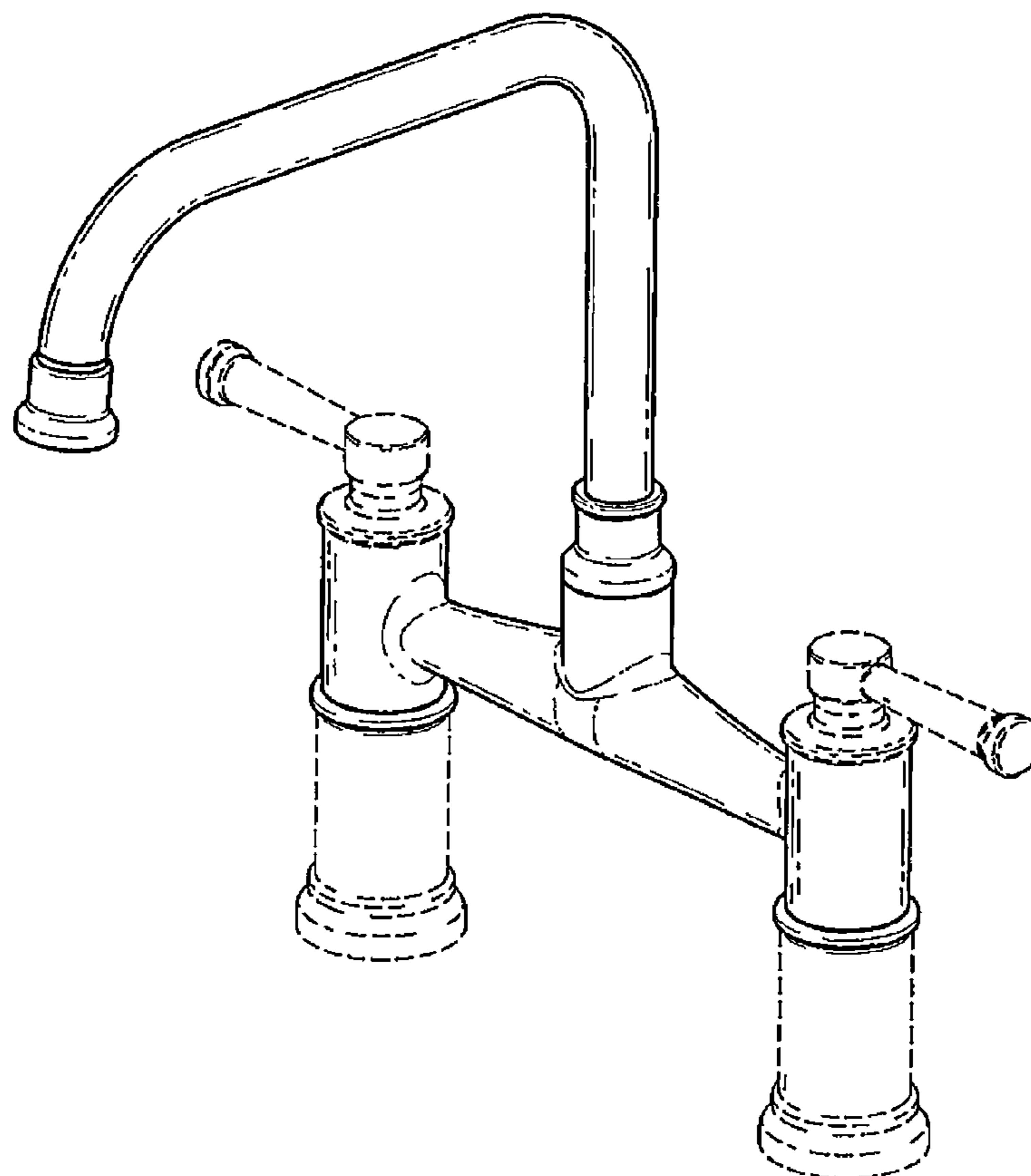
(57) **CLAIM**

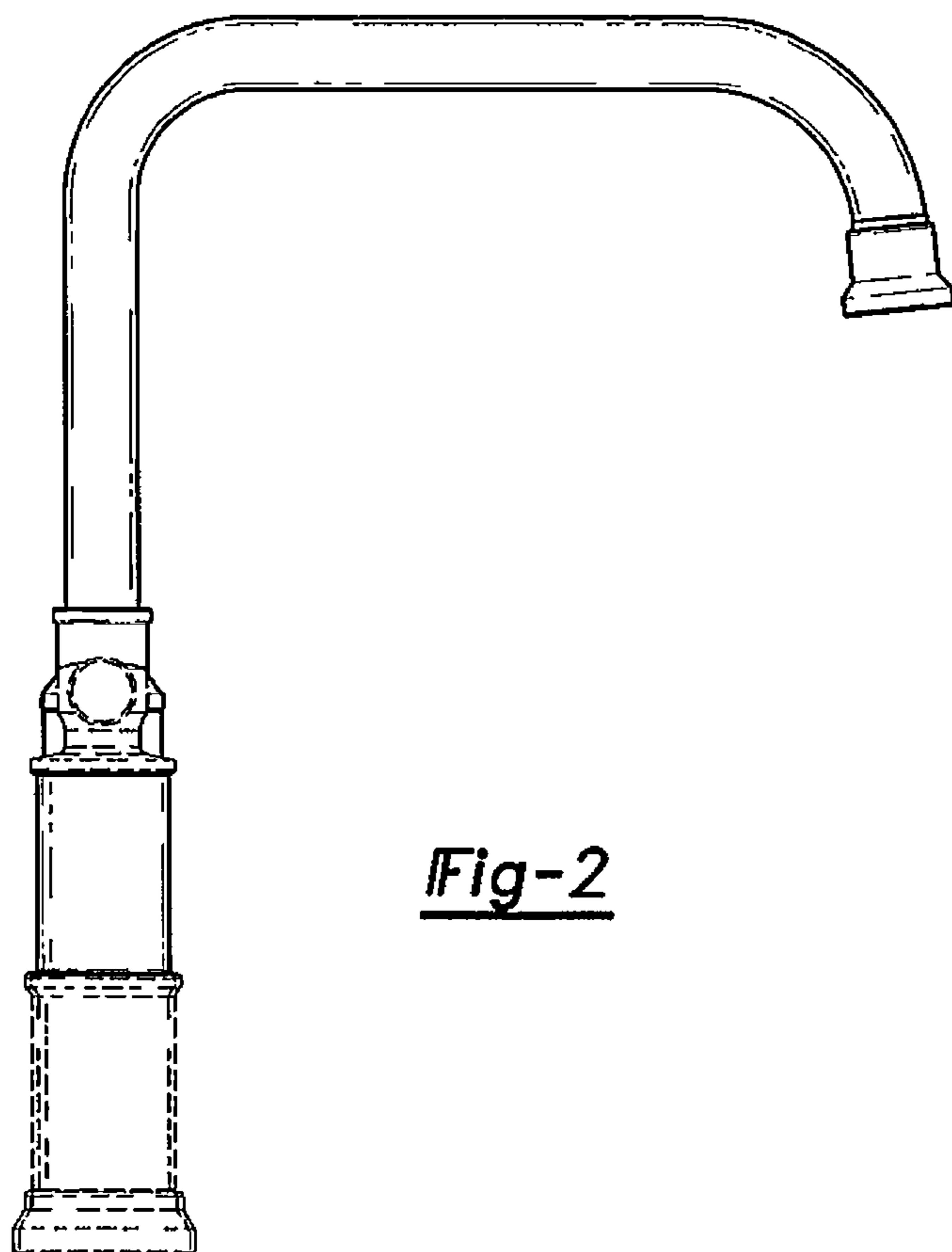
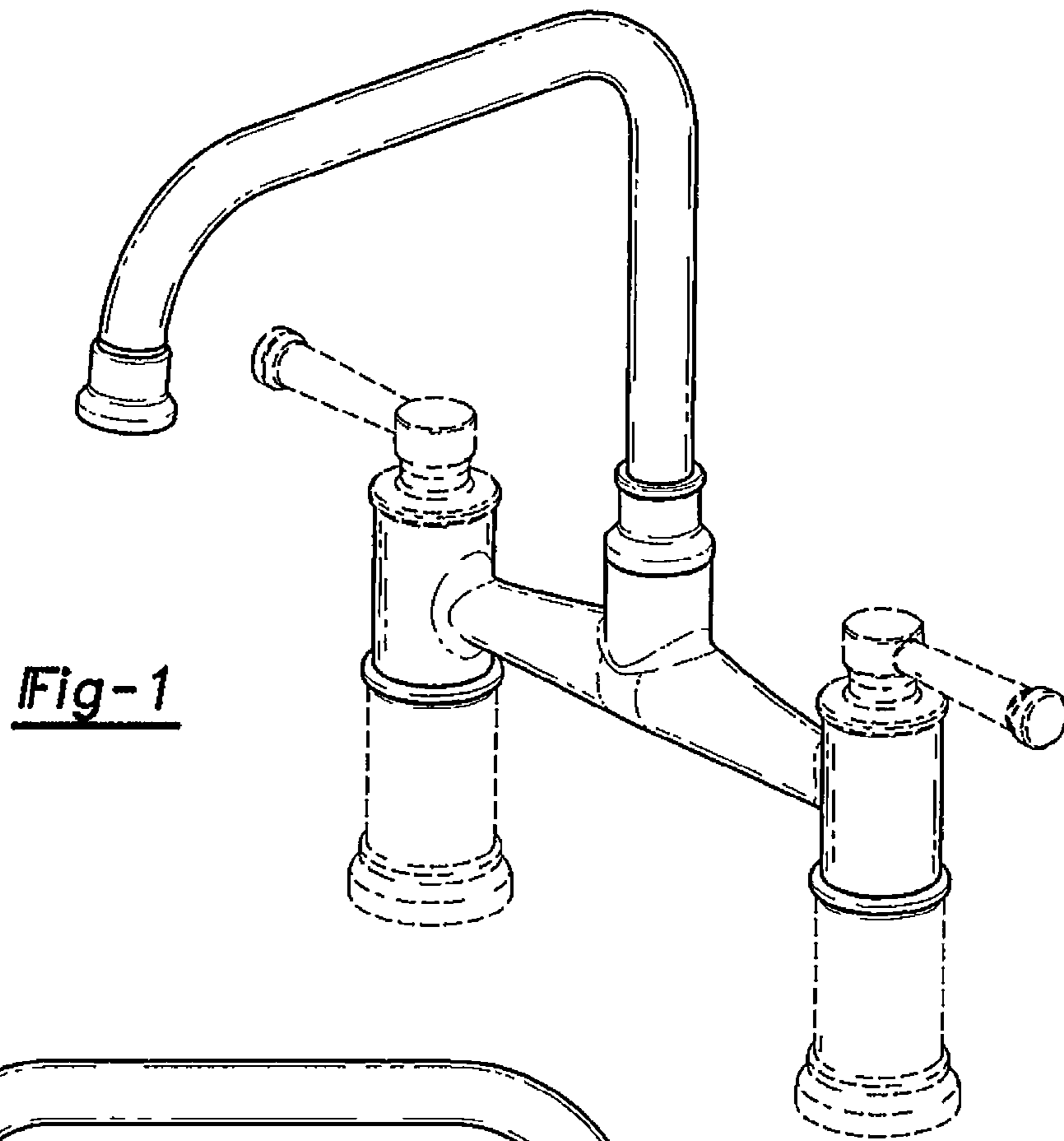
The ornamental design for a faucet bridge, as shown and described.

DESCRIPTION

FIG. 1 is a perspective view of a faucet bridge showing my new design;
FIG. 2 is a first side view thereof, the opposite side being a mirror image of the side shown;
FIG. 3 is a front elevational view thereof;
FIG. 4 is a top plan view thereof; and,
FIG. 5 is a bottom view thereof.
The broken lines showing portions of a faucet are included for illustrative purposes only and form no part of the claimed design.

1 Claim, 3 Drawing Sheets





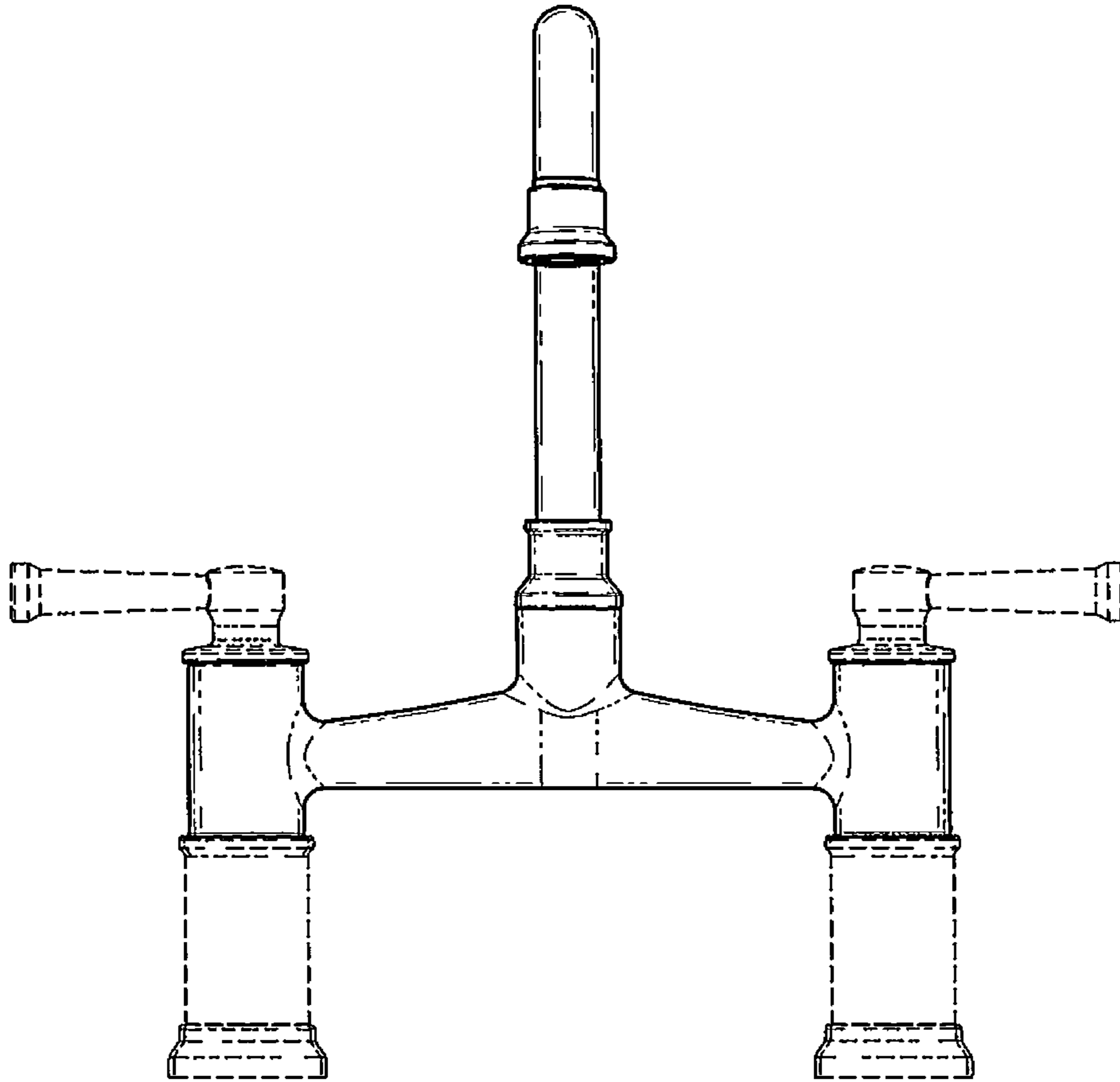


Fig-3

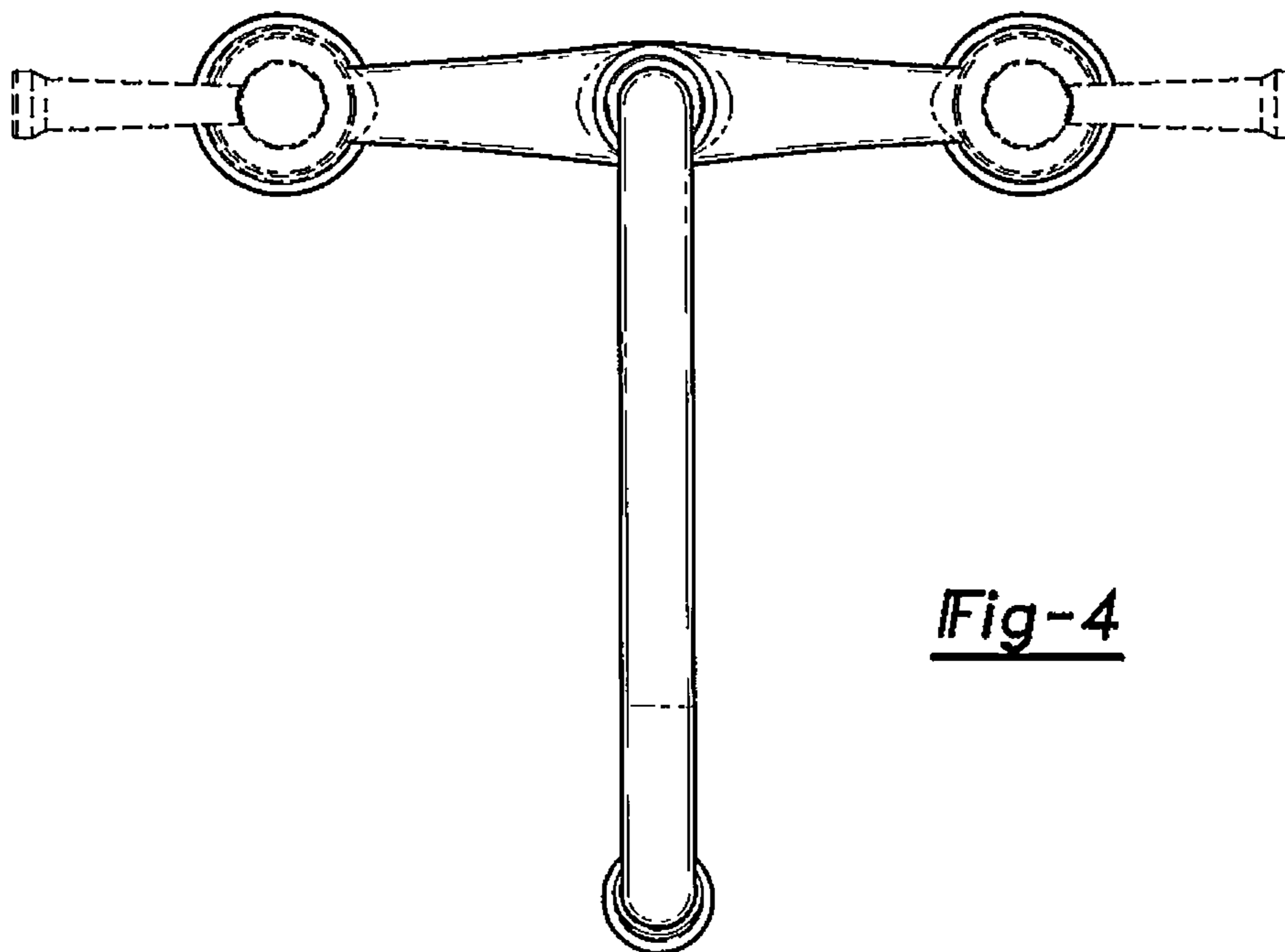


Fig-4

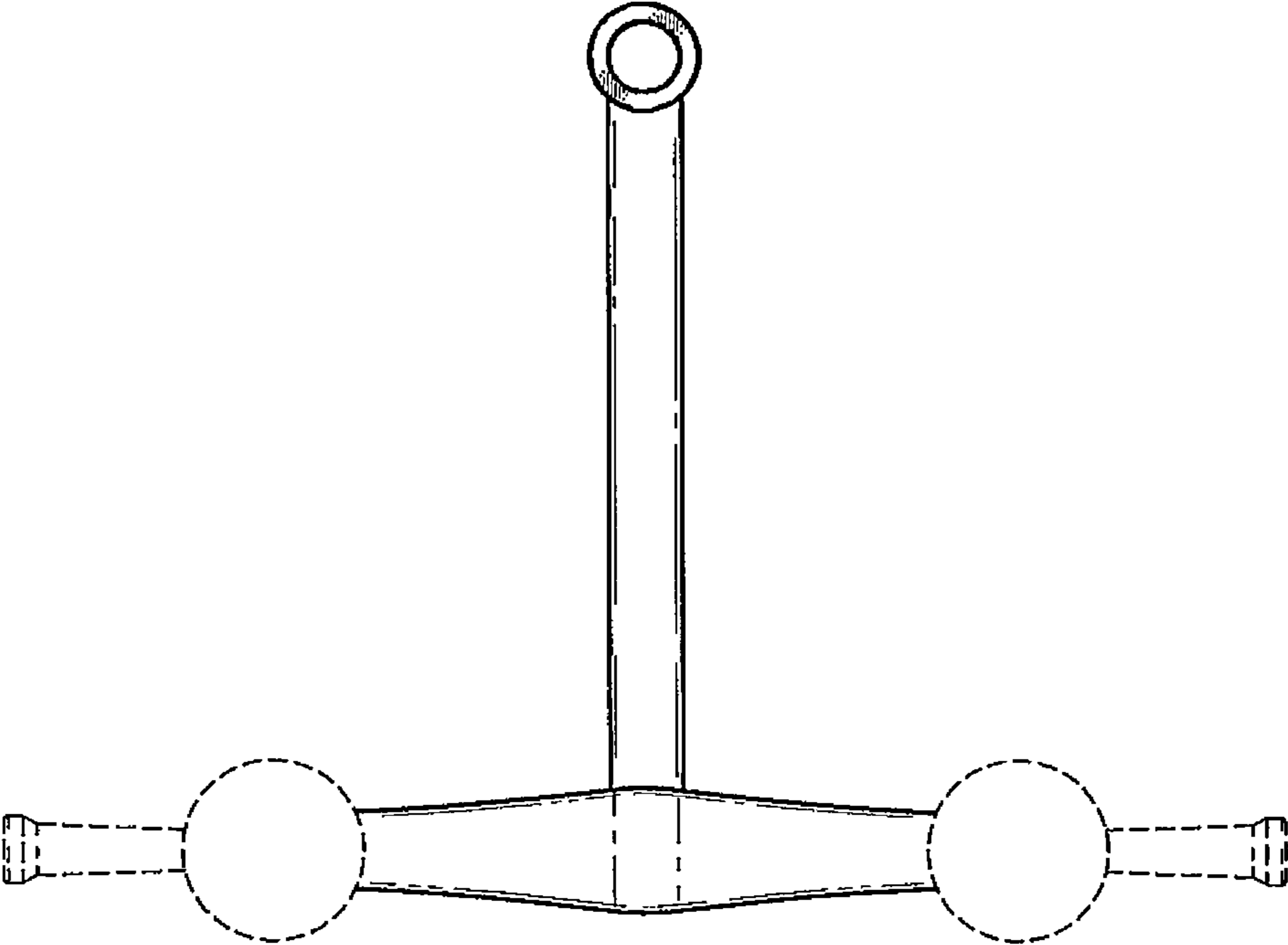


Fig-5