



US00D686297S

(12) **United States Design Patent**  
**Laugen et al.**

(10) **Patent No.:** **US D686,297 S**  
(45) **Date of Patent:** **\*\* Jul. 16, 2013**

(54) **VALVE POSITION COMMUNICATIONS AND CONTROL MODULE**

(75) Inventors: **Brian Laugen**, Fergus Falls, MN (US);  
**Ross Kunz**, Erhard, MN (US); **Wally Stommes**, Fergus Falls, MN (US)

(73) Assignee: **Metso Automation USA Inc.**, Fergus Falls, MN (US)

(\*\*) Term: **14 Years**

(21) Appl. No.: **29/394,740**

(22) Filed: **Jun. 21, 2011**

(51) **LOC (9) Cl.** ..... **23-01**

(52) **U.S. Cl.**  
USPC ..... **D23/233**

(58) **Field of Classification Search**  
USPC ..... D23/233-237, 225, 202, 203, 204,  
D23/205; D8/2; 239/308, 154, 320, 373,  
239/310

See application file for complete search history.

(56) **References Cited**

U.S. PATENT DOCUMENTS

D599,434 S \* 9/2009 Stenberg ..... D23/233  
D616,067 S \* 5/2010 Cavagna ..... D23/233

D619,681 S \* 7/2010 Reimann et al. .... D23/233  
D620,556 S \* 7/2010 Hillhouse et al. .... D23/235  
D677,754 S \* 3/2013 Pierog et al. .... D23/233  
2006/0208212 A1 \* 9/2006 Hannewald ..... 251/305  
2006/0214128 A1 \* 9/2006 Horner et al. .... 251/305

OTHER PUBLICATIONS

<http://www.stonel.com/newpages/products/valve/quartz/quartz/htm>; Quartz Overview, copyright 2006 StoneL USA.

\* cited by examiner

*Primary Examiner* — Cynthia Ramirez

(74) *Attorney, Agent, or Firm* — Nikolai & Mersereau, P.A.;  
Thomas J. Nikolai

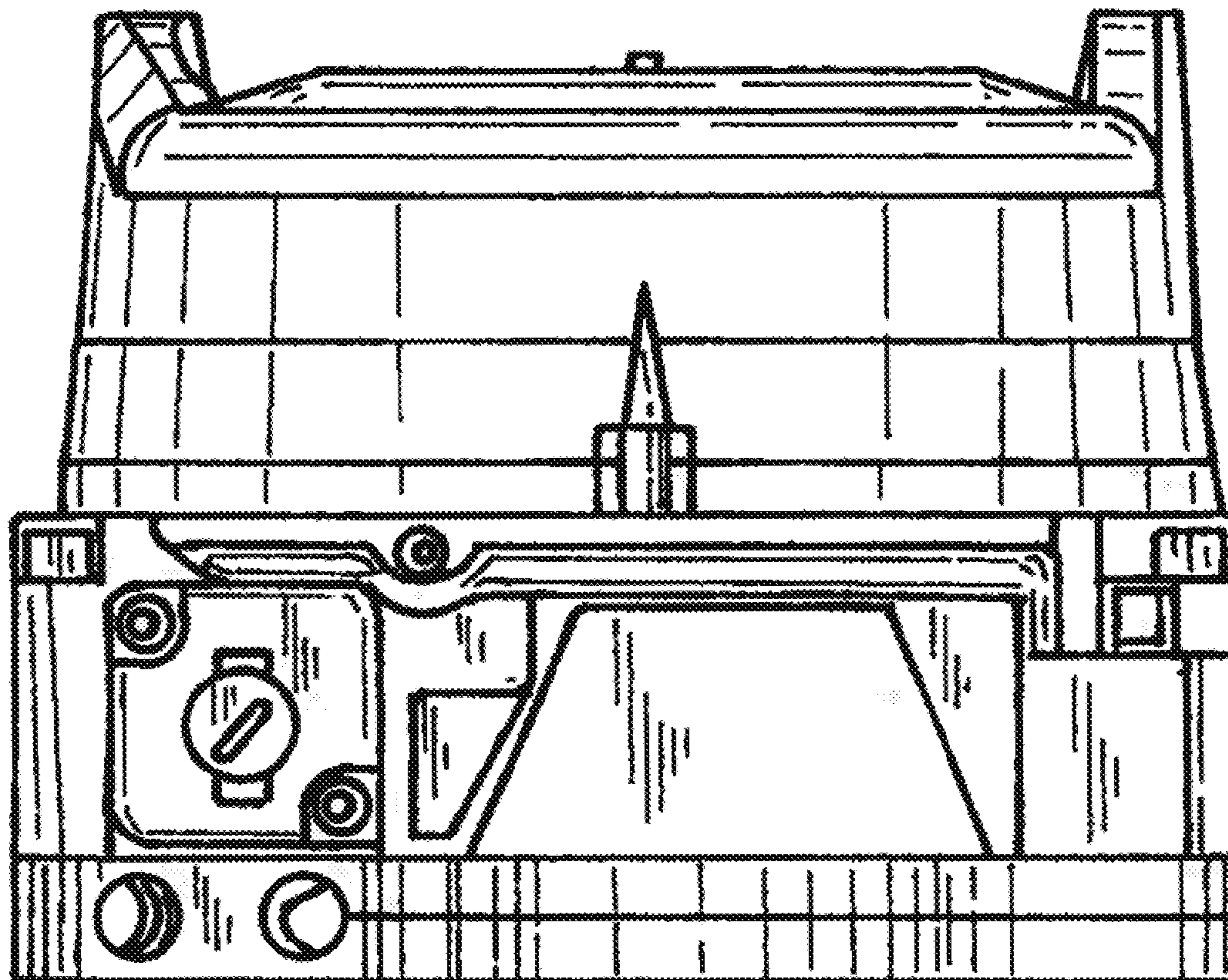
(57) **CLAIM**

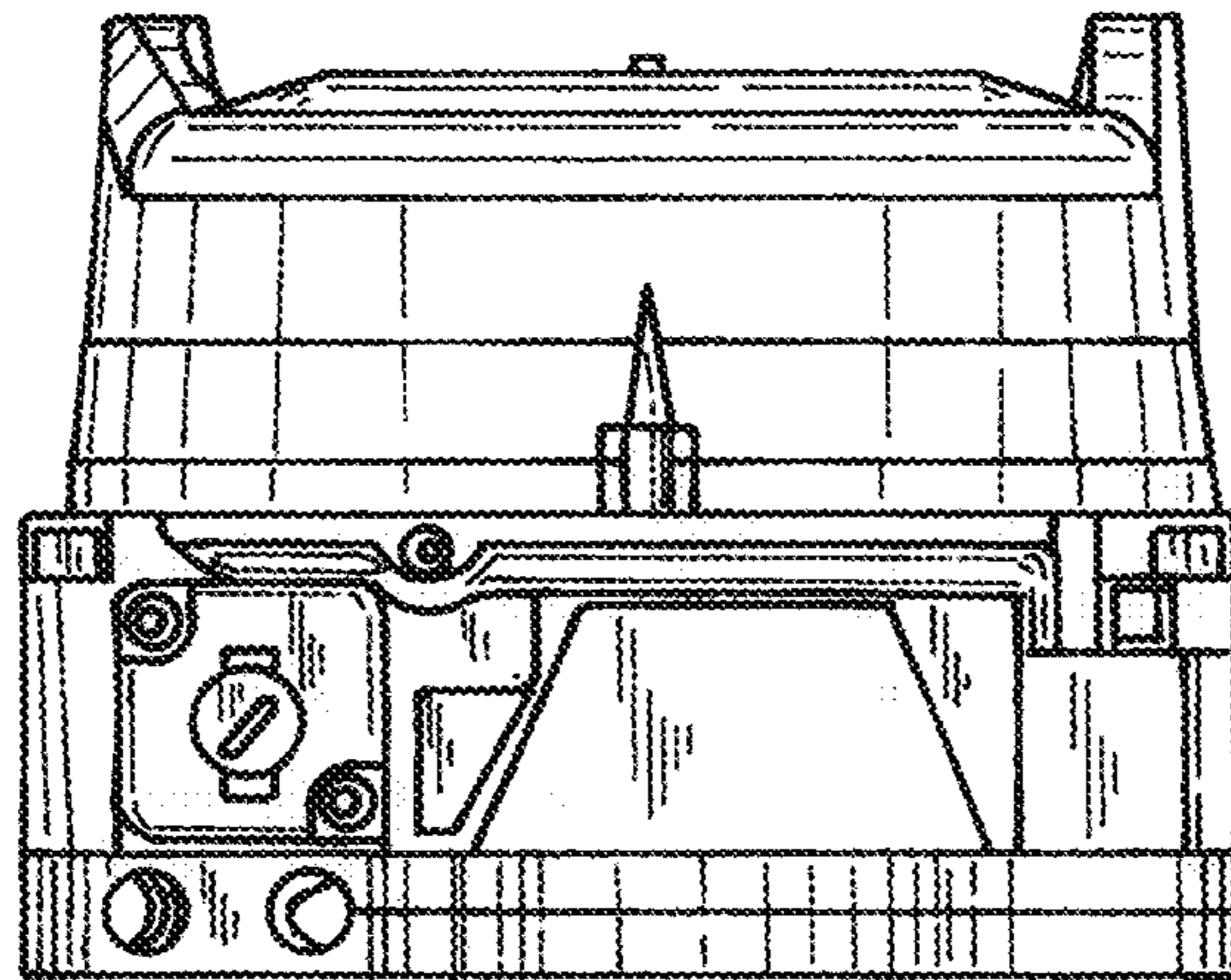
The ornamental design for a valve position communications and control module, as shown and described.

**DESCRIPTION**

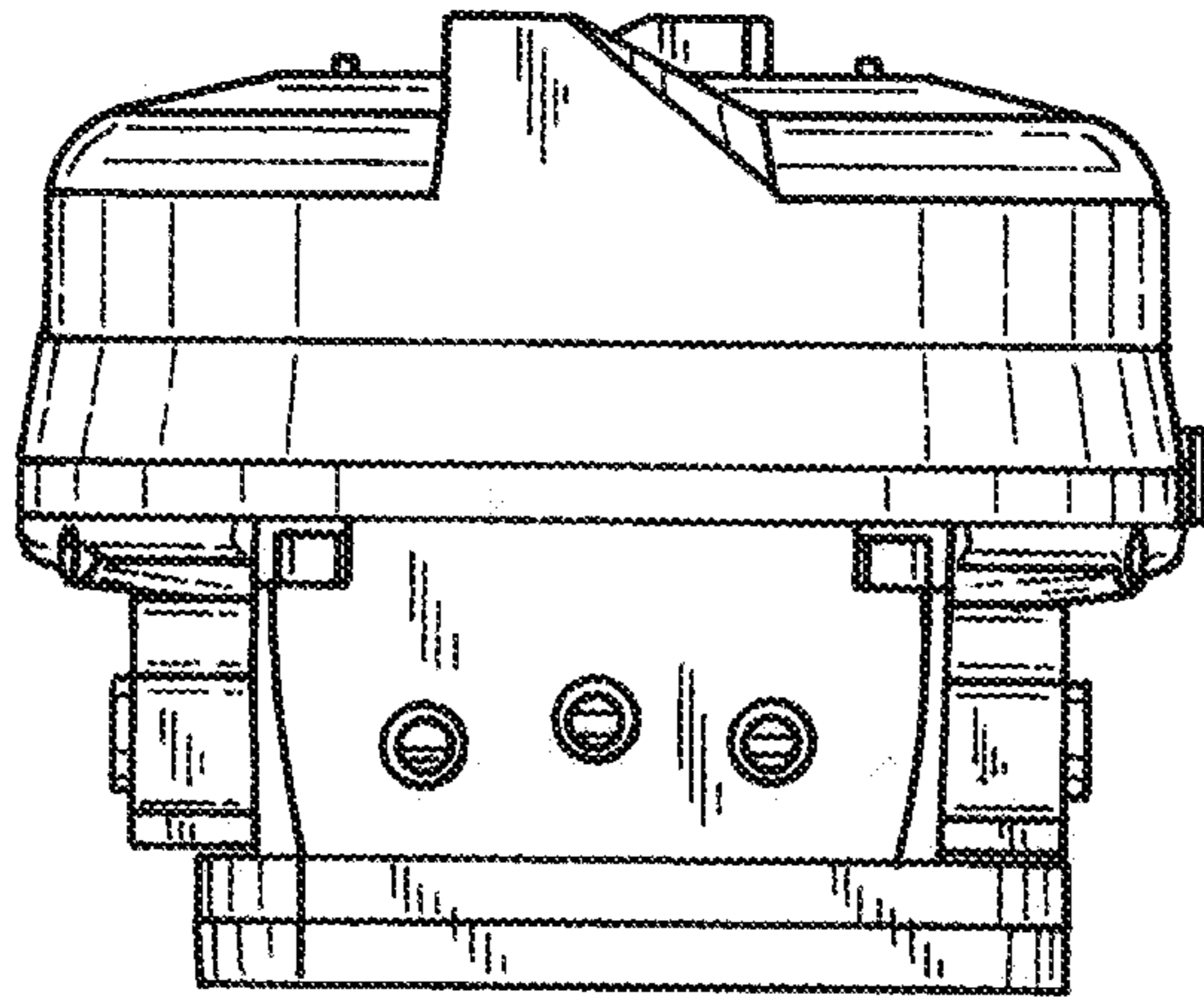
FIG. 1 is a front elevation view of a valve position communications and control module showing our new design; FIG. 2 is a left side elevation view thereof; FIG. 3 is a right side elevation view thereof; FIG. 4 is a top plan view thereof; and, FIG. 5 is a bottom view thereof.

**1 Claim, 3 Drawing Sheets**

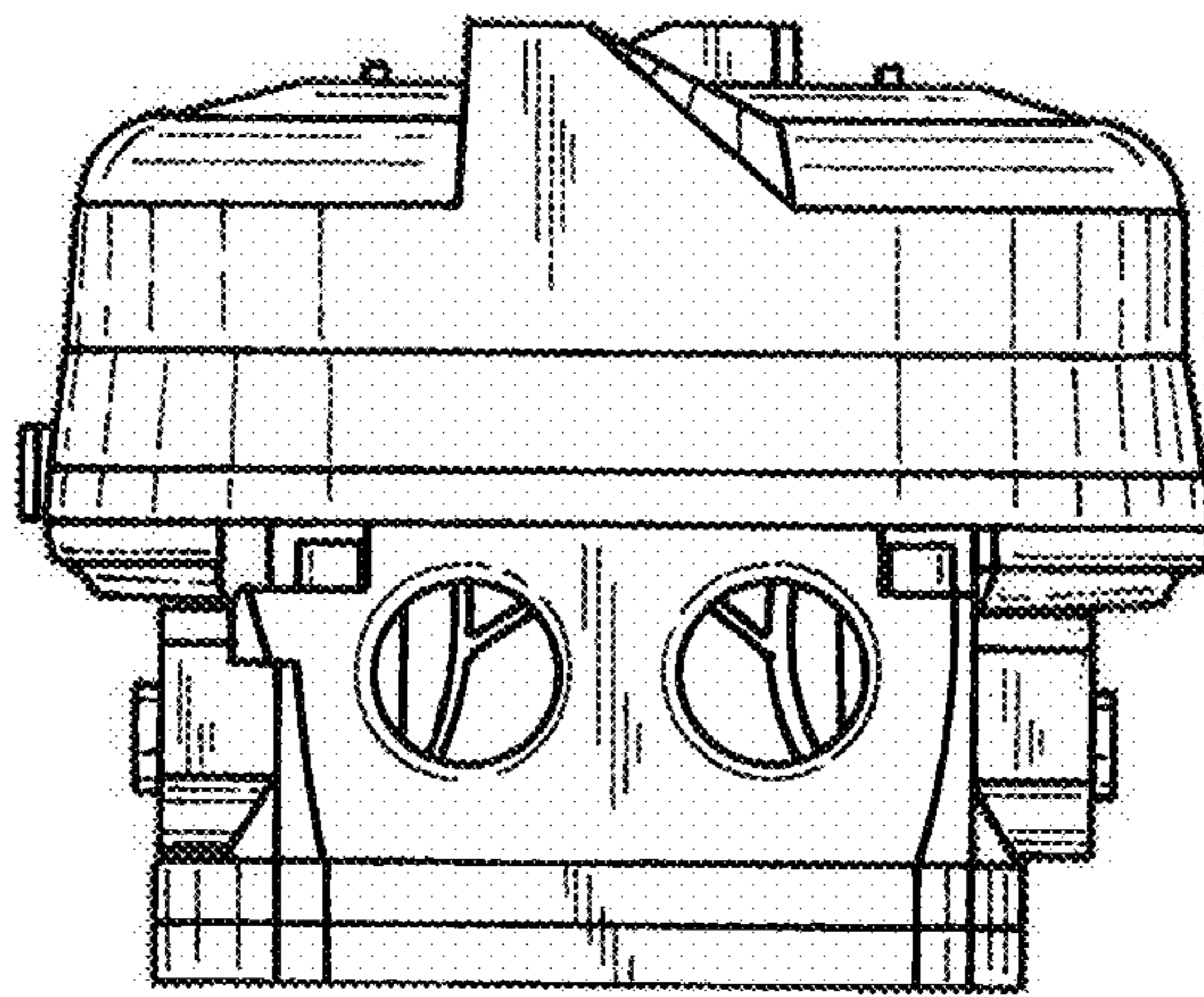




*FIG. 1*

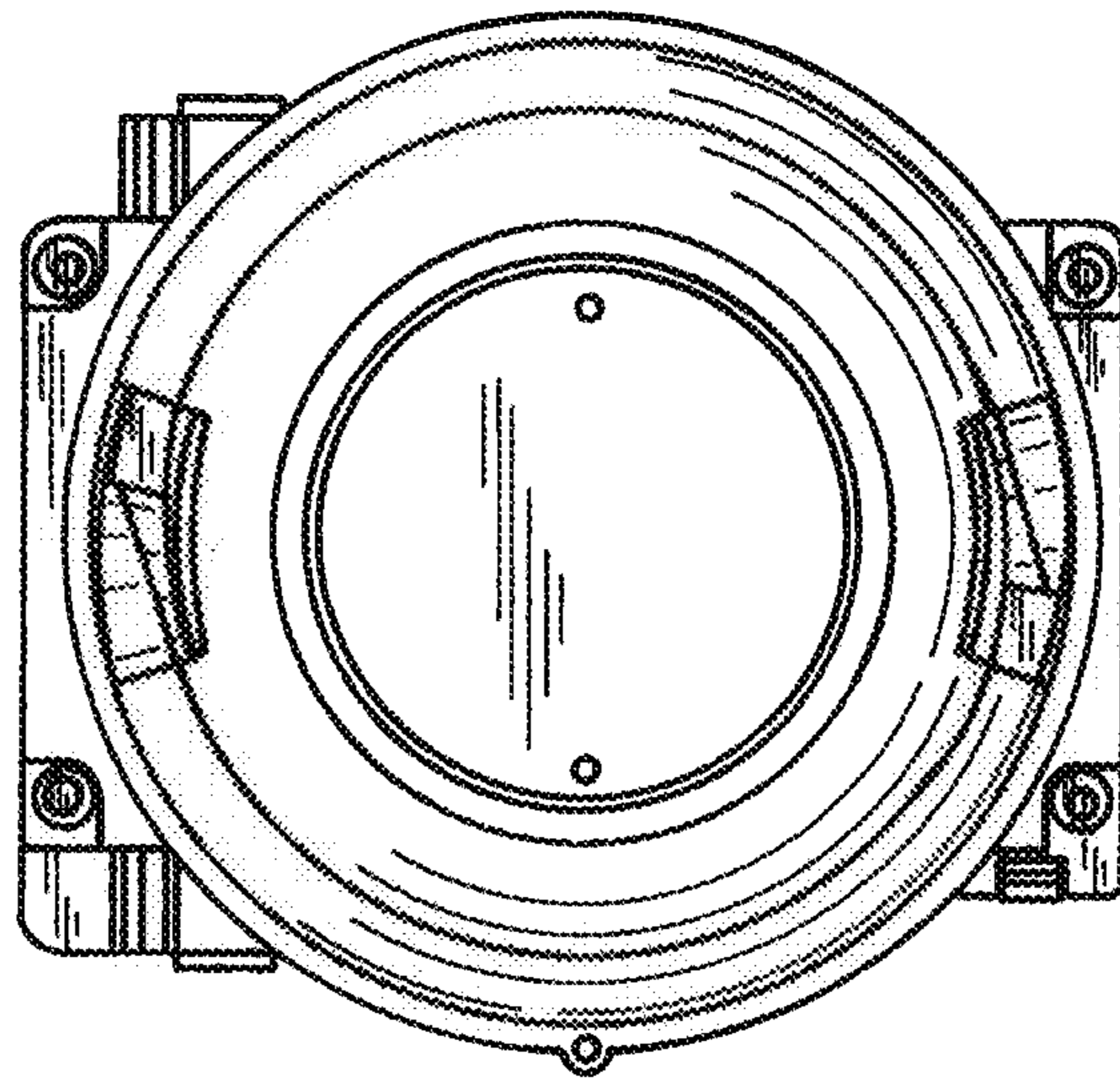


*FIG. 2*

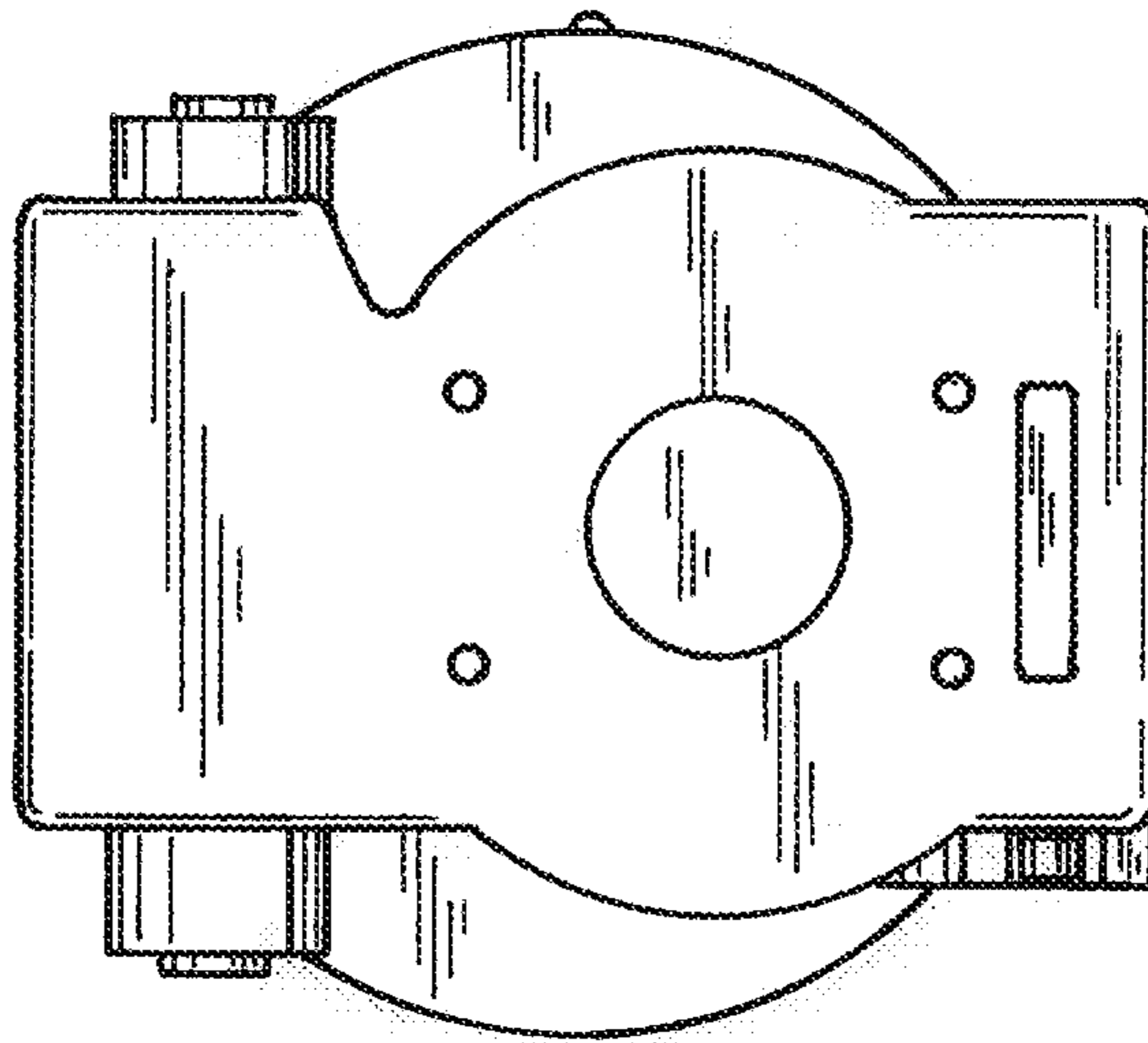


*FIG. 3*





*FIG. 4*



*FIG. 5*