



US00D686296S

(12) **United States Design Patent**
Melzer

(10) **Patent No.:** **US D686,296 S**
(45) **Date of Patent:** **** Jul. 16, 2013**

(54) **FILTER FOR A BEVERAGE DISPENSER**

(76) Inventor: **Brian Melzer**, Delray Beach, FL (US)

(**) Term: **14 Years**

(21) Appl. No.: **29/415,319**

(22) Filed: **Mar. 9, 2012**

(51) **LOC (9) Cl.** **23-01**

(52) **U.S. Cl.**
USPC **D23/209; D7/397**

(58) **Field of Classification Search**
USPC D23/207, 209; D7/397, 400; 222/1; 210/232;
426/433
See application file for complete search history.

(56) **References Cited**

U.S. PATENT DOCUMENTS

2,933,188	A *	4/1960	Jacula	210/172.3
D441,421	S *	5/2001	Aldred et al.	D23/209
6,541,055	B1 *	4/2003	Luzenberg	426/433
D551,318	S *	9/2007	MacNeil et al.	D23/209
D643,090	S *	8/2011	Cumberland et al.	D23/209
D643,508	S *	8/2011	Wilkinson et al.	D23/209
D644,297	S *	8/2011	Chen	D23/209

OTHER PUBLICATIONS

U.S. Appl. No. 13/416,194, Title: "Filter For A Beverage Dispenser," filed Mar. 9, 2012 (27 pages).

* cited by examiner

Primary Examiner — Robin V Webster

(74) *Attorney, Agent, or Firm* — McCarter & English, LLP

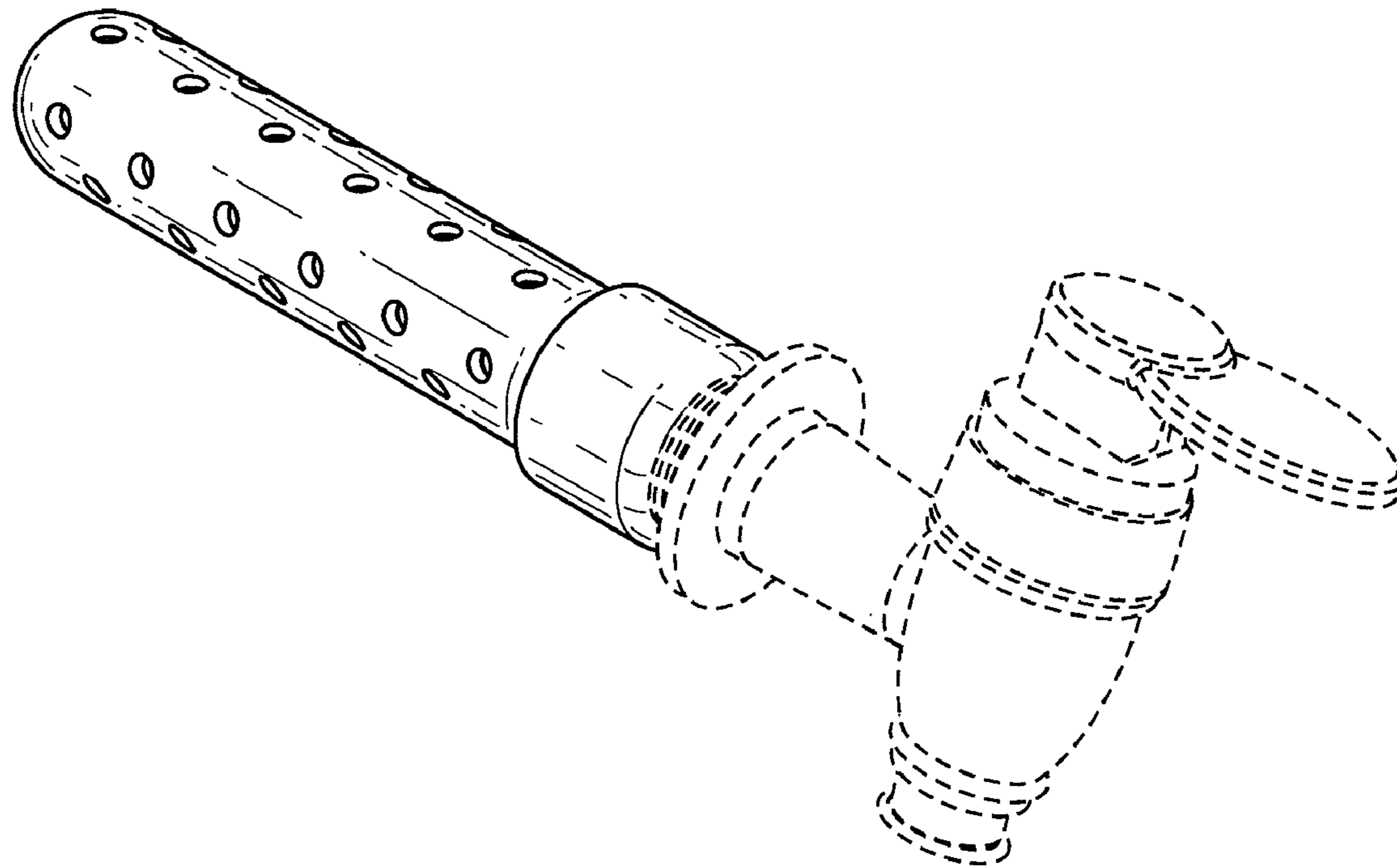
(57) **CLAIM**

The ornamental design for a filter for a beverage dispenser, as shown and described.

DESCRIPTION

FIG. 1 is a perspective view of a filter for a beverage dispenser showing my new design;
FIG. 2 is a front view thereof, the rear view being a mirror image thereof;
FIG. 3 is a left side view thereof, the right side view being a mirror image thereof;
FIG. 4 is a top view thereof; and,
FIG. 5 is a bottom view thereof.
The broken lines shown are for illustrative purposes only and form no part of the claimed design.

1 Claim, 2 Drawing Sheets



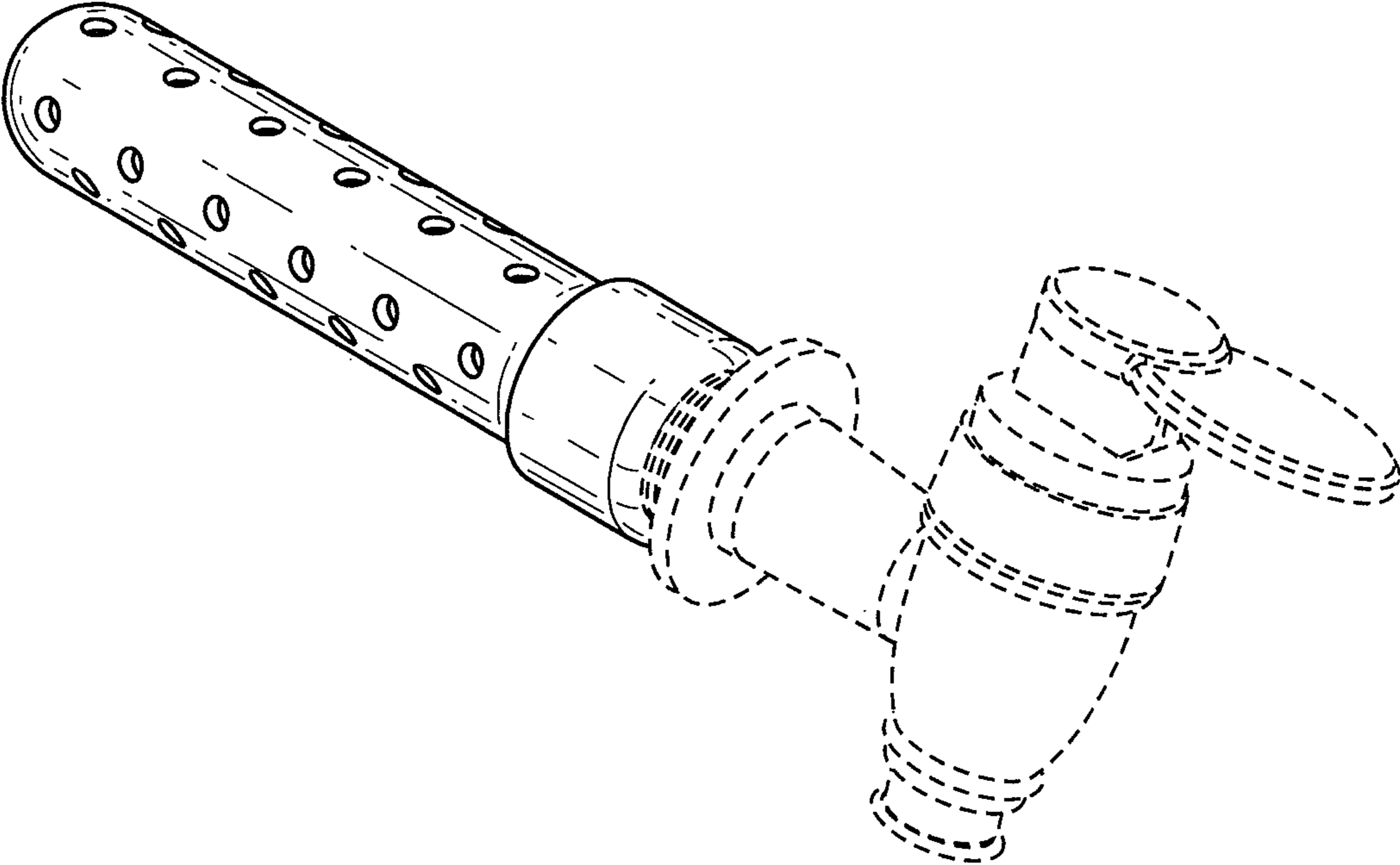


FIG. 1

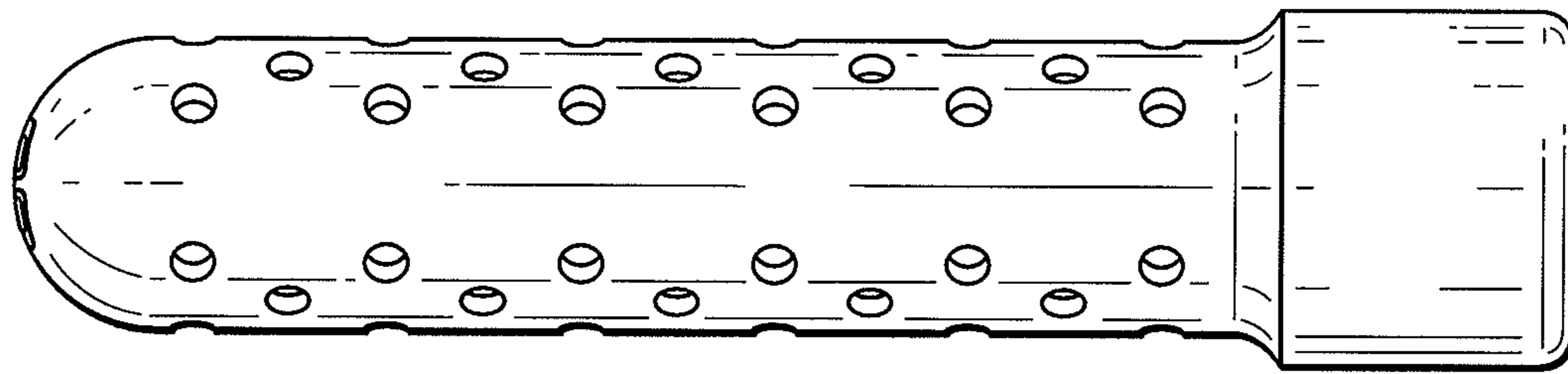


FIG. 2

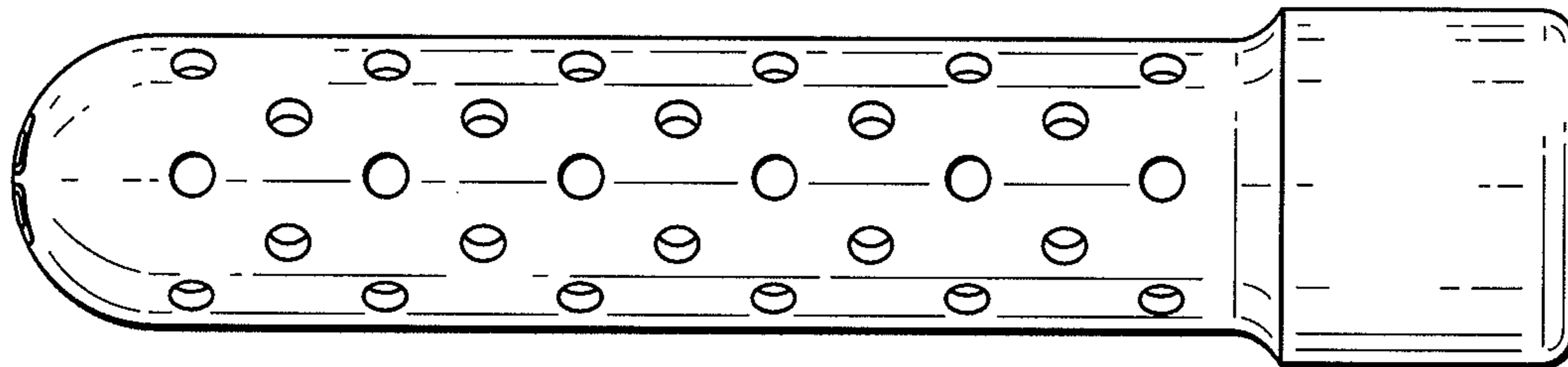


FIG. 3

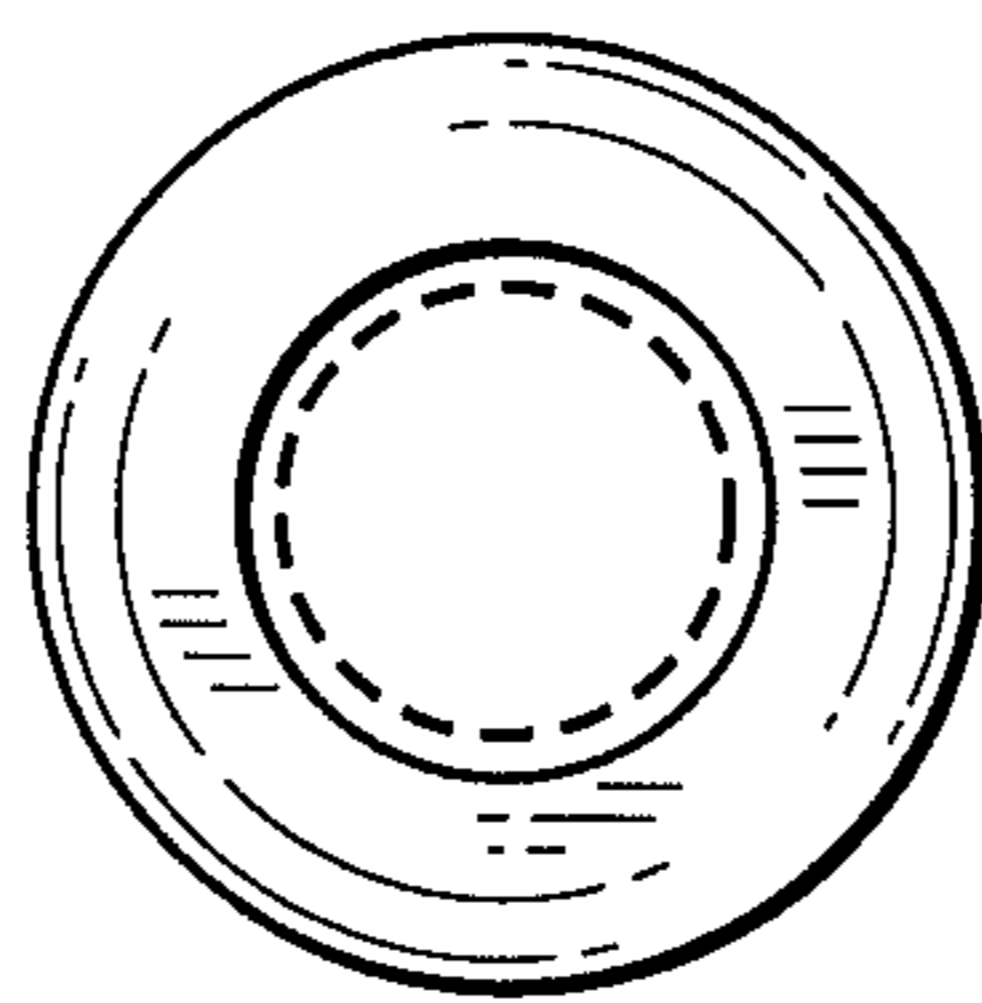


FIG. 4

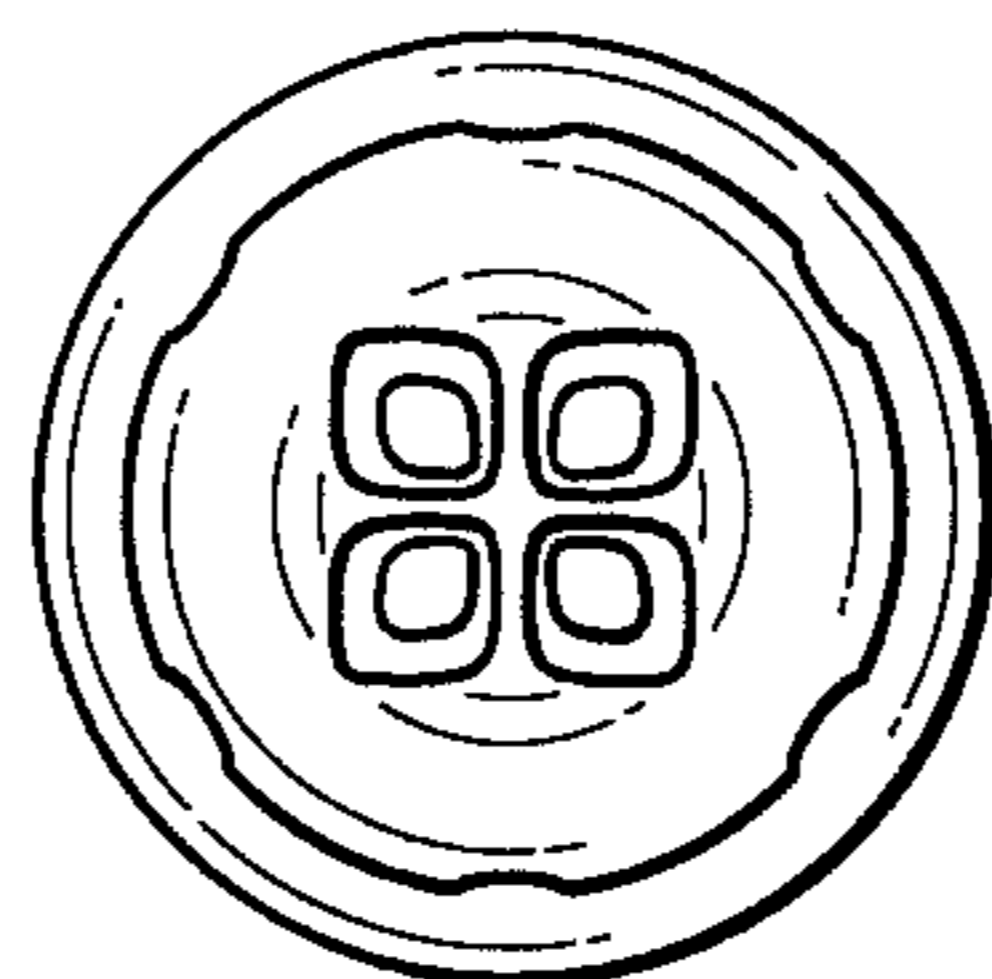


FIG. 5