



US00D686295S

(12) **United States Design Patent**
Pilcher

(10) **Patent No.:** **US D686,295 S**
(45) **Date of Patent:** **** Jul. 16, 2013**

(54) **HUNTING ACCESSORY RACK**
(76) Inventor: **Henry Dale Pilcher**, Winter Haven, FL
(US)
(**) Term: **14 Years**
(21) Appl. No.: **29/417,112**
(22) Filed: **Mar. 30, 2012**
(51) **LOC (9) Cl.** **22-99**
(52) **U.S. Cl.**
USPC **D22/199**
(58) **Field of Classification Search**
USPC D22/199; 211/64; D8/373; 224/149-150,
224/192-193, 198, 238, 243, 911-913;
D30/151-154
See application file for complete search history.

6,626,748	B2 *	9/2003	Homer, Sr.	452/189
7,296,959	B2 *	11/2007	Davis	414/462
7,341,506	B1 *	3/2008	Hogue	452/189
7,476,149	B2 *	1/2009	Burrows	452/187
7,544,120	B1 *	6/2009	Tardif et al.	452/187
8,006,954	B2 *	8/2011	Mallory	254/134.3 FT
8,210,912	B2 *	7/2012	Ugiansky	452/187
2006/0234618	A1 *	10/2006	Koch et al.	452/189
2008/0139097	A1 *	6/2008	Smick	452/189
2011/0089209	A1 *	4/2011	Dallas	224/487
2012/0199403	A1 *	8/2012	Garner et al.	177/245
2012/0252338	A1 *	10/2012	VerWys et al.	452/189

* cited by examiner

Primary Examiner — Michael A Pratt
(74) *Attorney, Agent, or Firm* — Stephen H. Hall; Bradley Arant Boult Cummings LLP

(57) **CLAIM**
I claim the ornamental design for a hunting accessory rack, as shown.

(56) **References Cited**

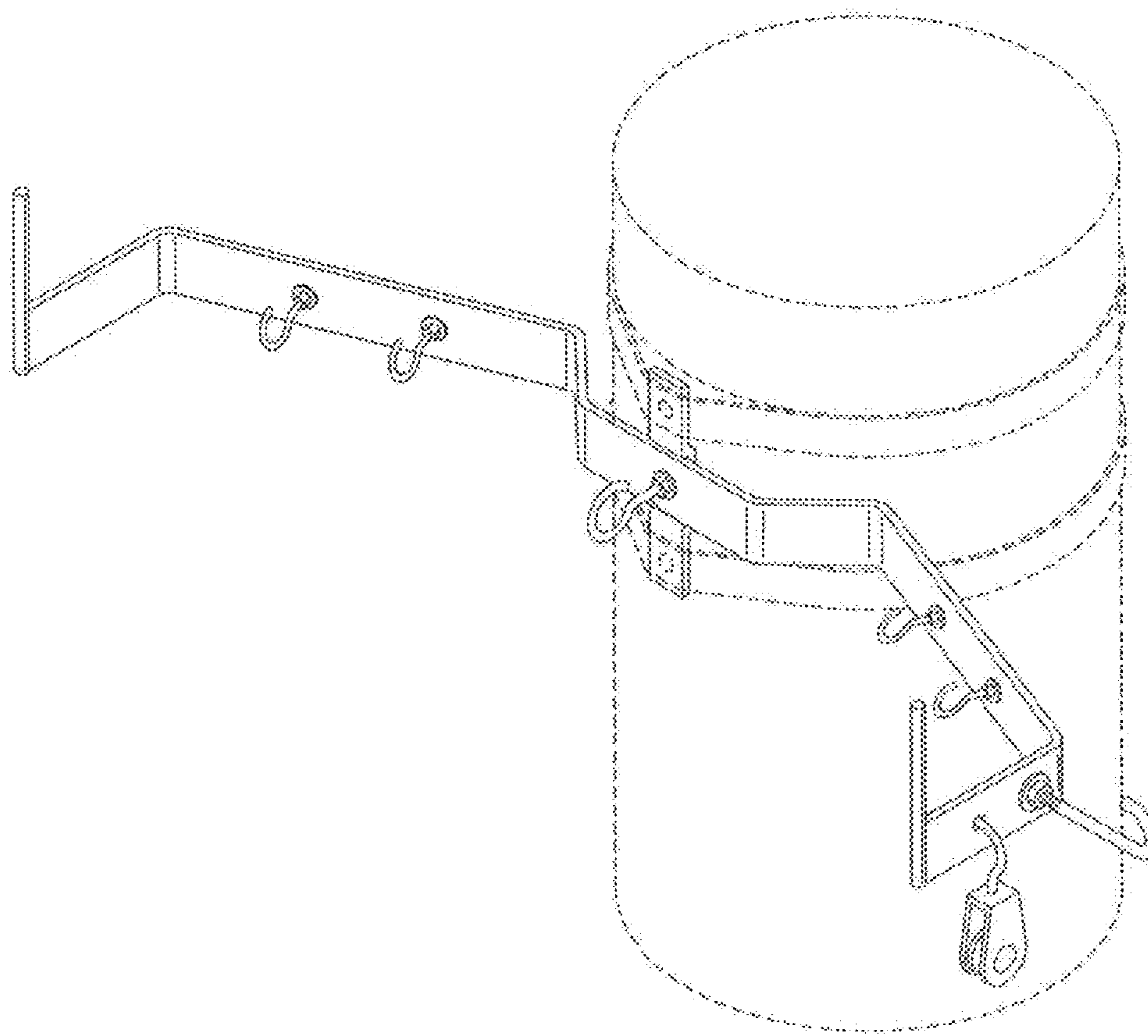
U.S. PATENT DOCUMENTS

940,434	A *	11/1909	Coultas	452/189
1,030,683	A *	6/1912	Roskopf	452/189
1,117,436	A *	11/1914	Person	452/191
2,093,732	A *	9/1937	Pawlitschek	452/191
2,710,766	A *	6/1955	Erlewine	452/192
4,909,555	A *	3/1990	Blasi	452/189
D363,339	S *	10/1995	Rohacek	D22/199
D462,416	S *	9/2002	Dallas, Sr.	D22/199

DESCRIPTION

FIG. 1 is a top left front perspective view of a hunting accessory rack.
FIG. 2 is a top view thereof.
FIG. 3 is a front view thereof.
FIG. 4 is a right view thereof; and,
FIG. 5 is a left view thereof.

1 Claim, 2 Drawing Sheets



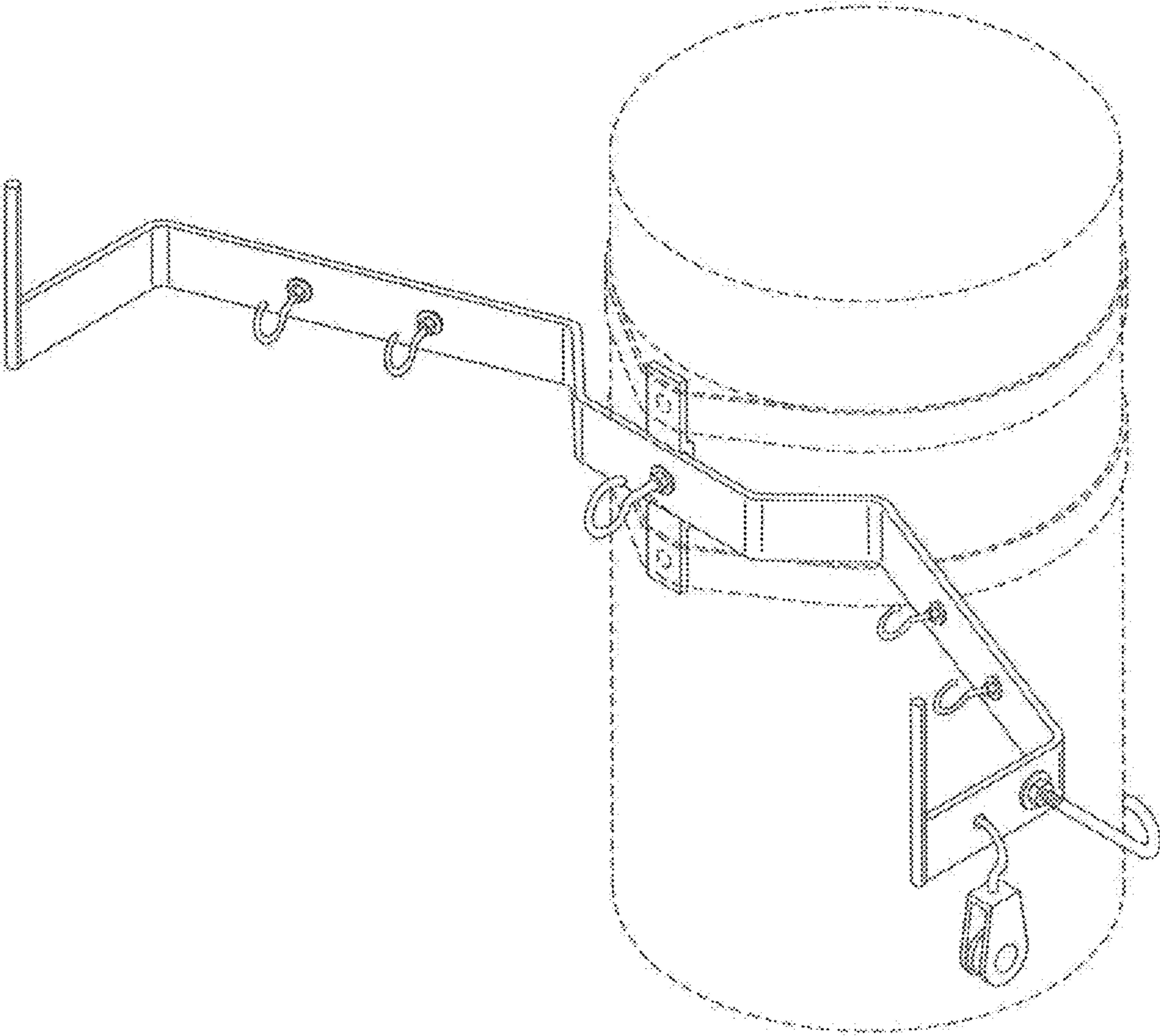


FIG. 1

FIG. 2

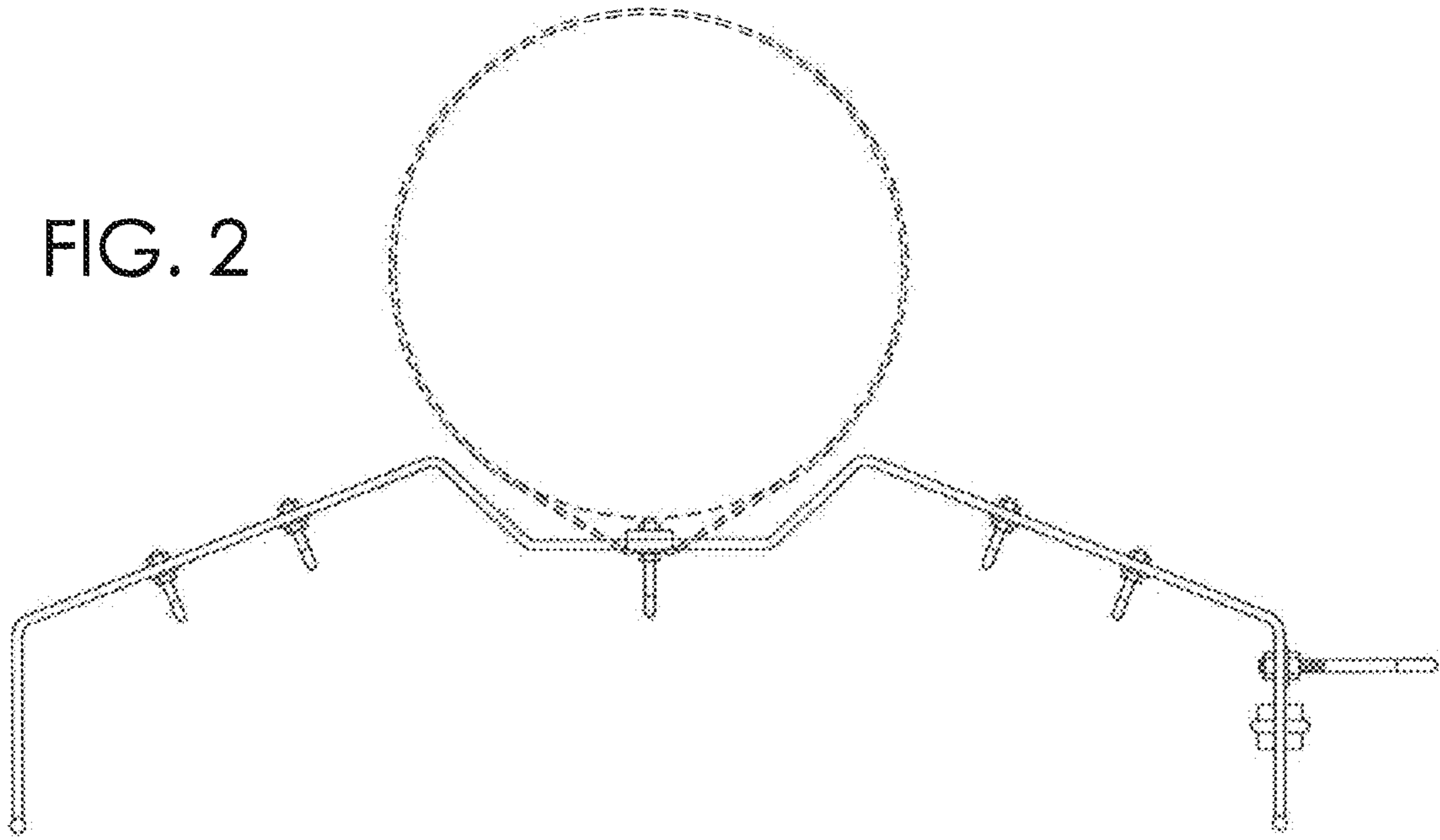


FIG. 3

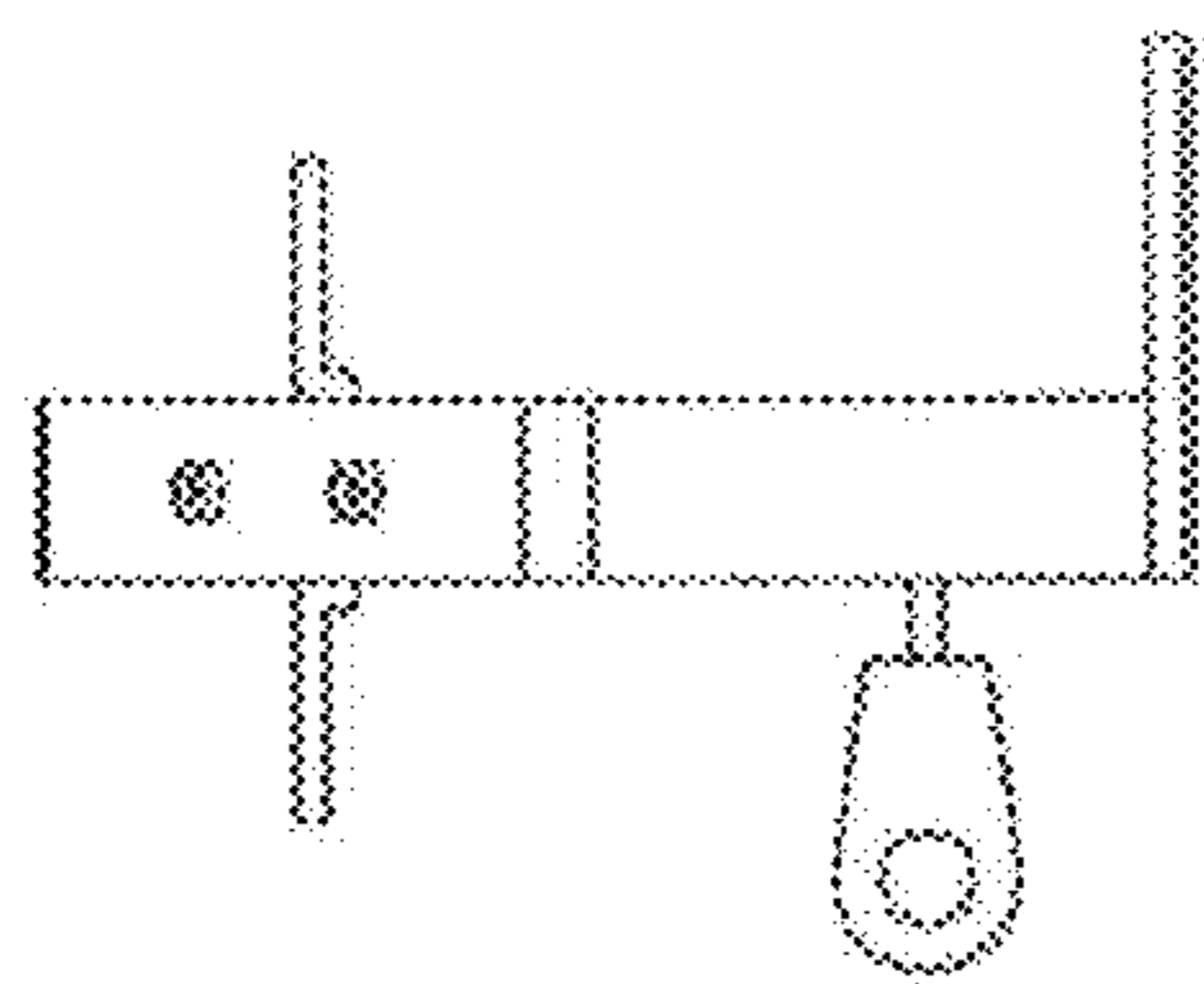
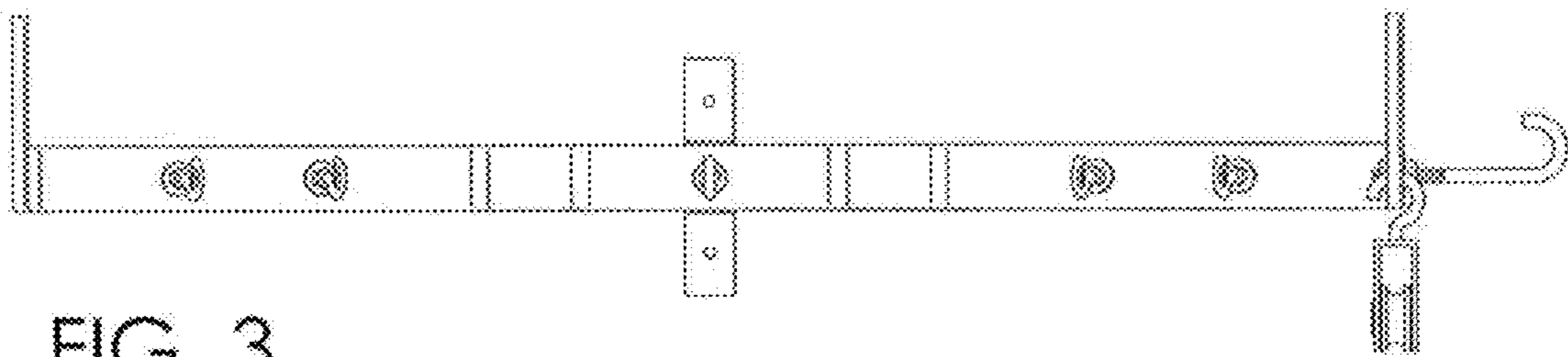


FIG. 4

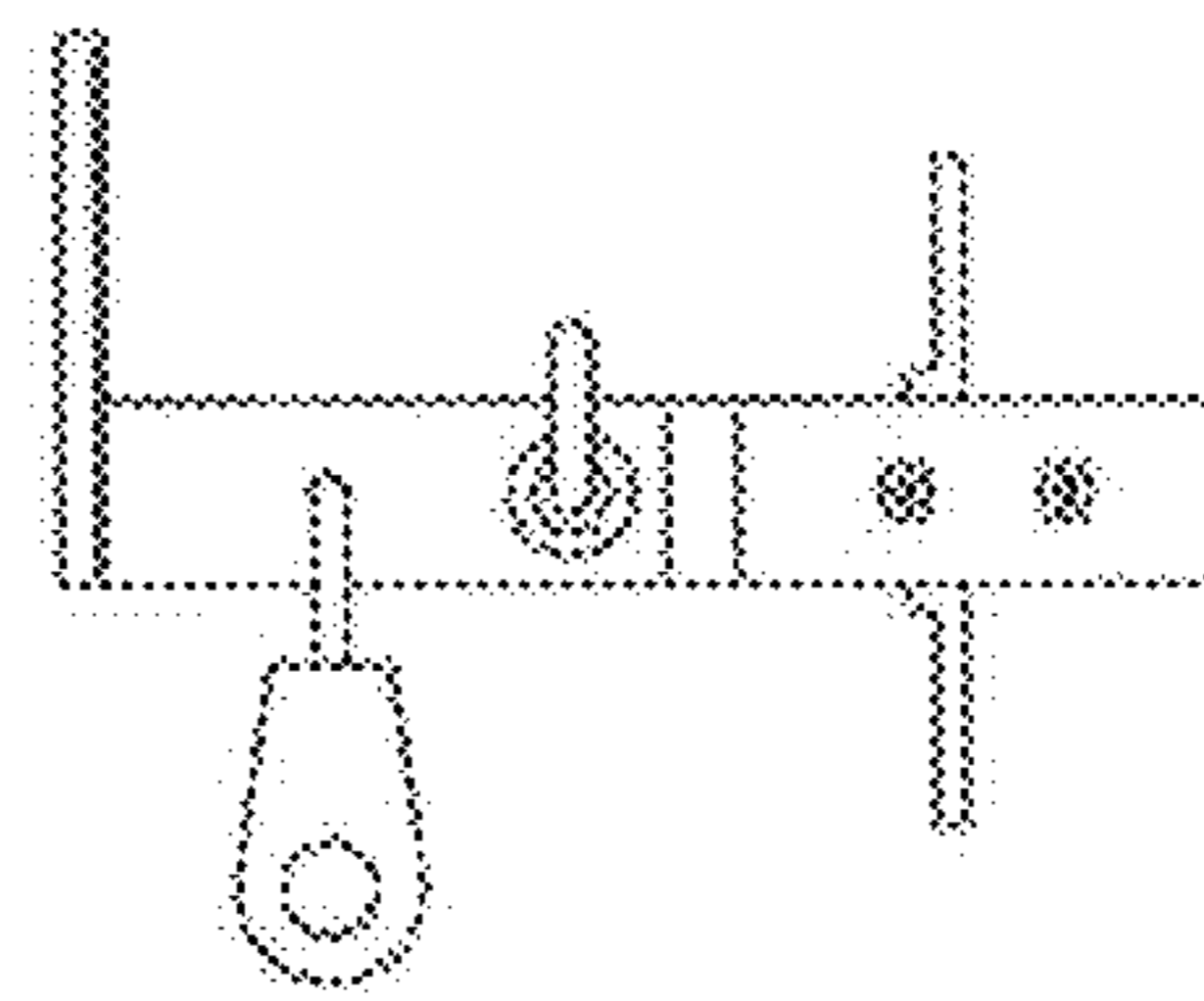


FIG. 5