



US00D686294S

(12) **United States Design Patent**  
**Ziegler**

(10) **Patent No.:** **US D686,294 S**  
(45) **Date of Patent:** **\*\* Jul. 16, 2013**

(54) **CLAMP**  
(75) Inventor: **Gerhard Ziegler**, Georgensgmünd (DE)  
(73) Assignee: **Gerhard Ziegler**, Georgensgmünd (DE)  
(\*\*) Term: **14 Years**  
(21) Appl. No.: **29/394,326**  
(22) Filed: **Jun. 15, 2011**

4,776,126	A *	10/1988	Williams	.....	42/125
5,425,191	A *	6/1995	Taylor et al.	.....	42/124
5,813,131	A *	9/1998	Werre	.....	33/645
6,594,938	B2 *	7/2003	Horton	.....	42/127
7,444,776	B2 *	11/2008	Adams	.....	42/127
7,971,384	B2 *	7/2011	Lippard	.....	42/124
8,006,430	B2 *	8/2011	Wang	.....	42/125
2008/0034638	A1 *	2/2008	Spuhr	.....	42/127
2010/0269396	A1 *	10/2010	Williams et al.	.....	42/124

\* cited by examiner

(30) **Foreign Application Priority Data**  
Jan. 20, 2011 (EM) ..... 001808197  
(51) **LOC (9) Cl.** ..... **22-01**  
(52) **U.S. Cl.**  
USPC ..... **D22/108**  
(58) **Field of Classification Search**  
USPC ..... D22/108-110, 199; D16/132, 130,  
D16/133, 330, 134; 359/399, 823, 744; 42/111,  
42/133, 119, 122  
See application file for complete search history.

*Primary Examiner* — Michael A Pratt  
(74) *Attorney, Agent, or Firm* — Lucas & Mercanti, LLP

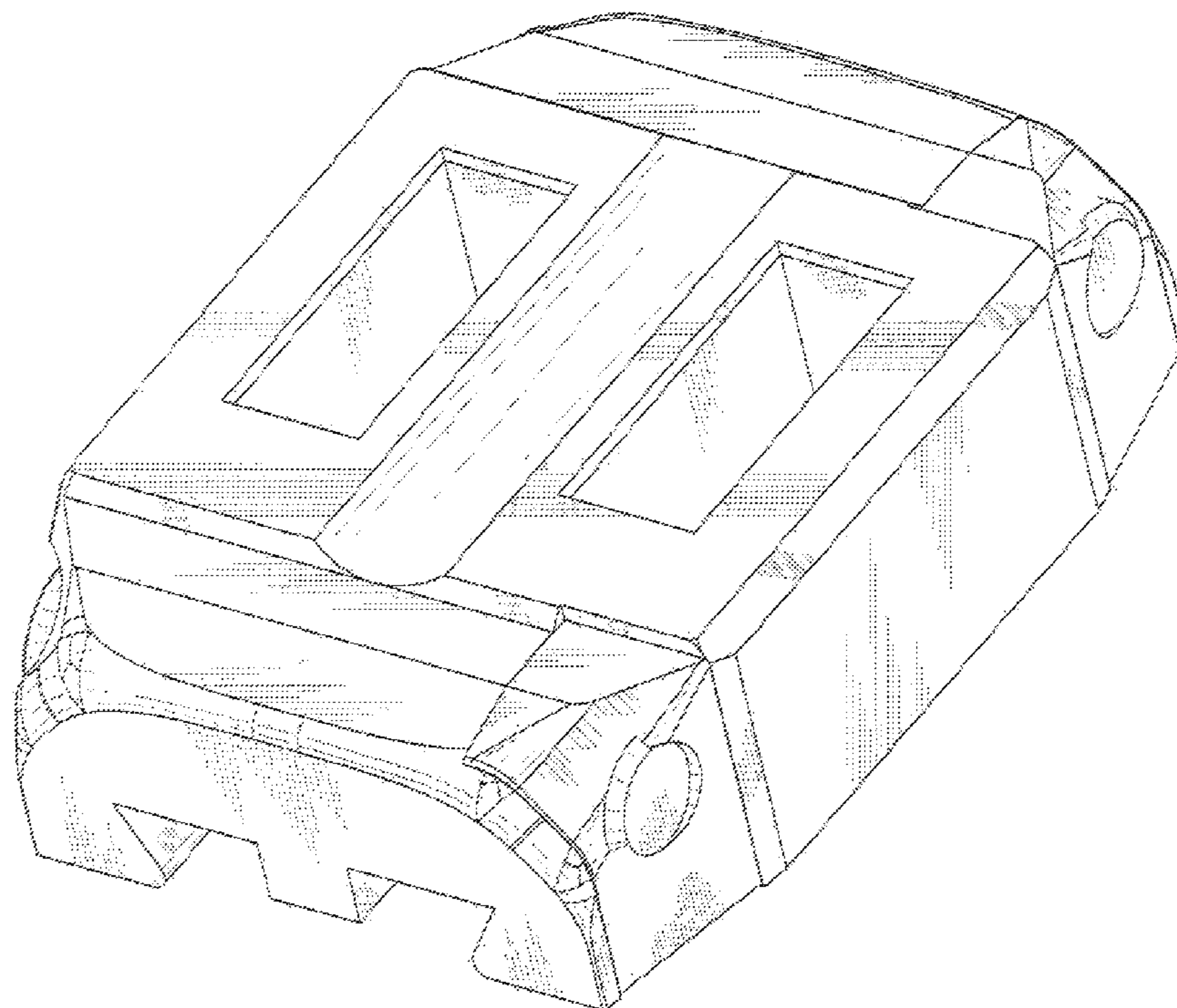
(57) **CLAIM**  
The ornamental design for a clamp, as shown and described.

**DESCRIPTION**

FIG. 1 is a perspective view of a clamp showing my new design;  
FIG. 2 is a second perspective view thereof;  
FIG. 3 is a third perspective view thereof;  
FIG. 4 is a top view thereof;  
FIG. 5 is a bottom view thereof;  
FIG. 6 is a first side view thereof;  
FIG. 7 is a second side view thereof;  
FIG. 8 is a first end view thereof; and,  
FIG. 9 is a second end view thereof.  
The broken line showing of aspects of the clamp in FIGS. 2 and 5 are included for the purpose of illustrating environment and forms no part of the claimed design.

(56) **References Cited**  
**U.S. PATENT DOCUMENTS**  
2,452,145 A \* 10/1948 Pike ..... 42/127  
3,877,166 A \* 4/1975 Ward ..... 42/127  
4,205,473 A \* 6/1980 Wilson ..... 42/127  
4,734,989 A \* 4/1988 Sanders ..... 42/137

**1 Claim, 9 Drawing Sheets**



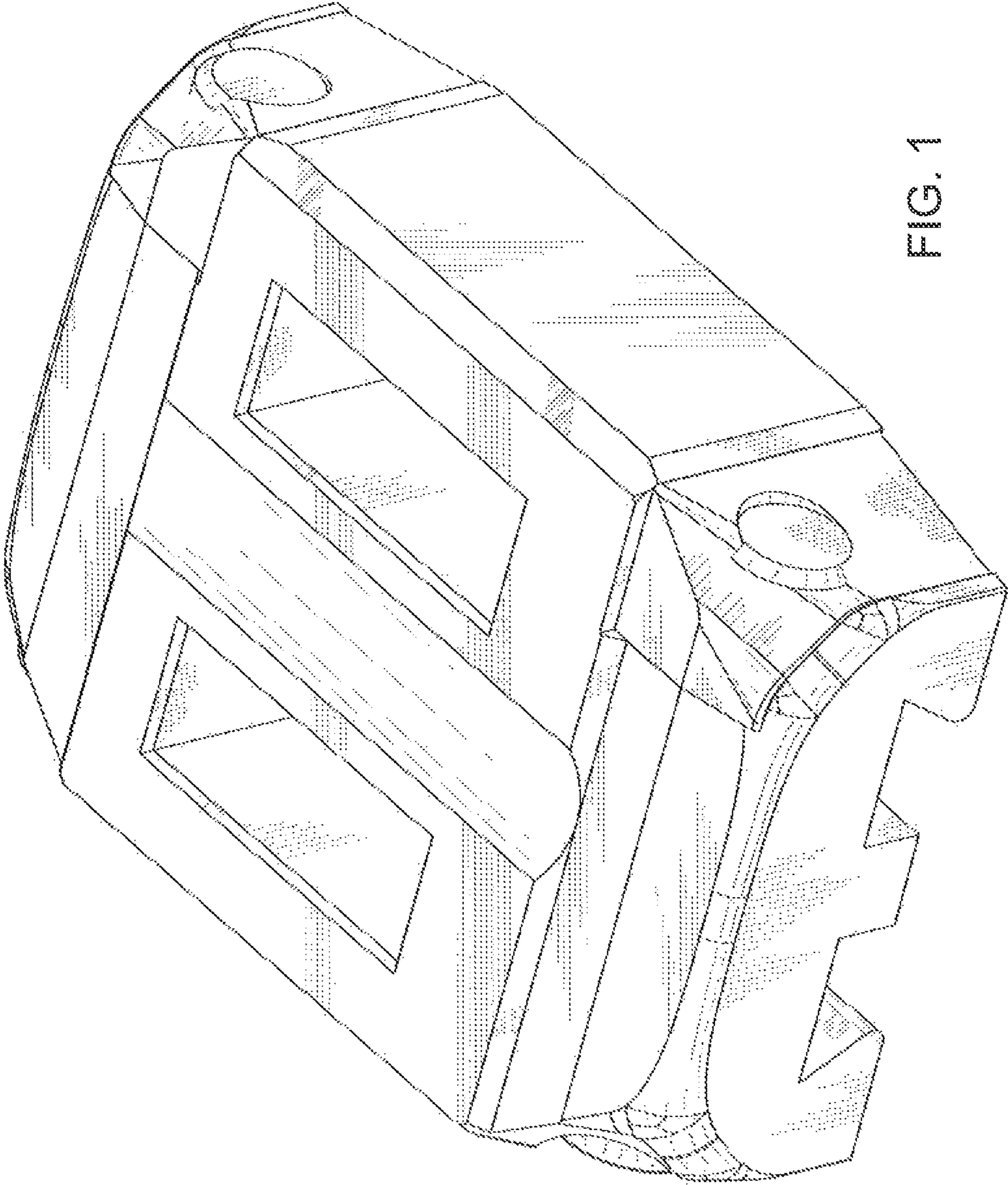


FIG. 1

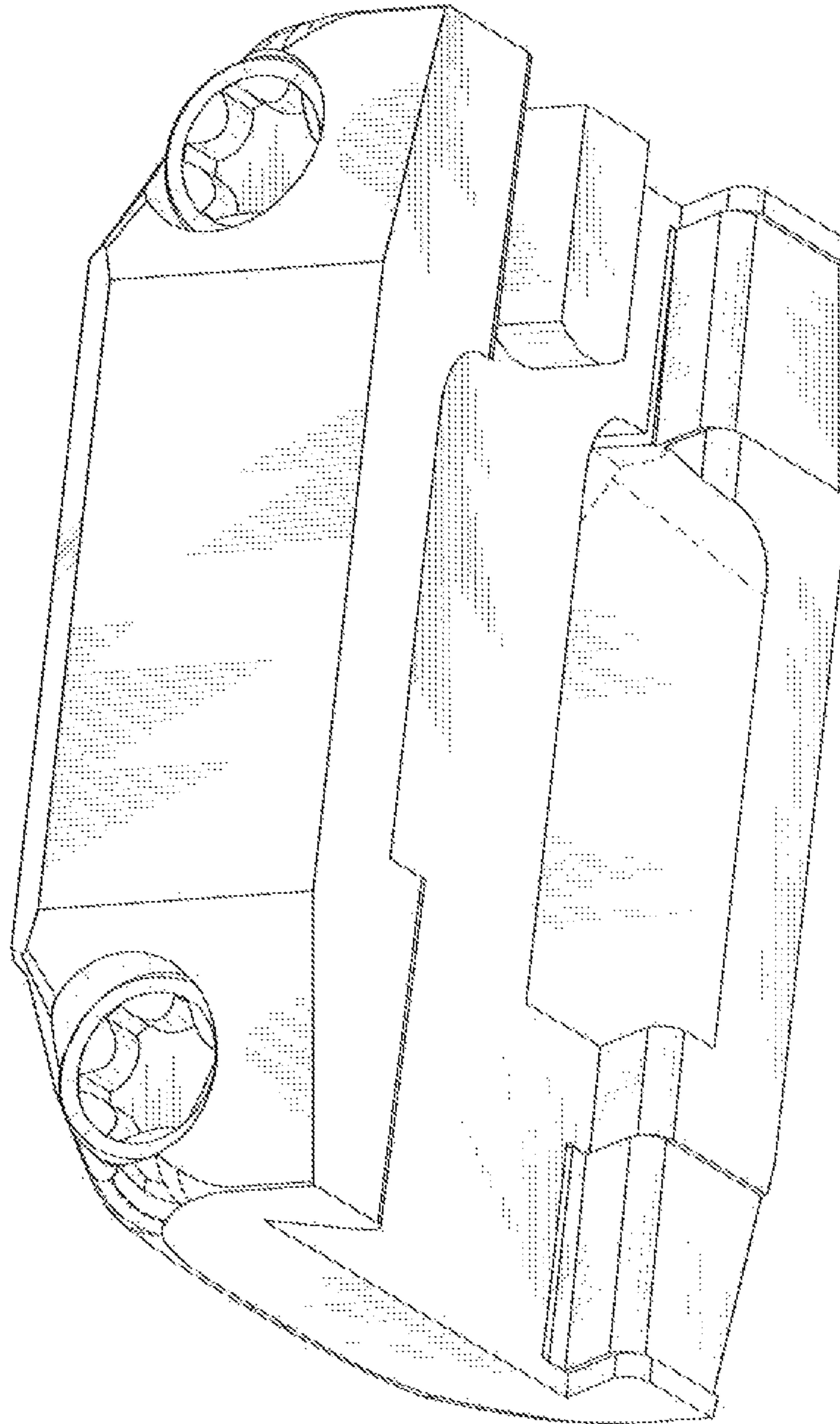


FIG. 2

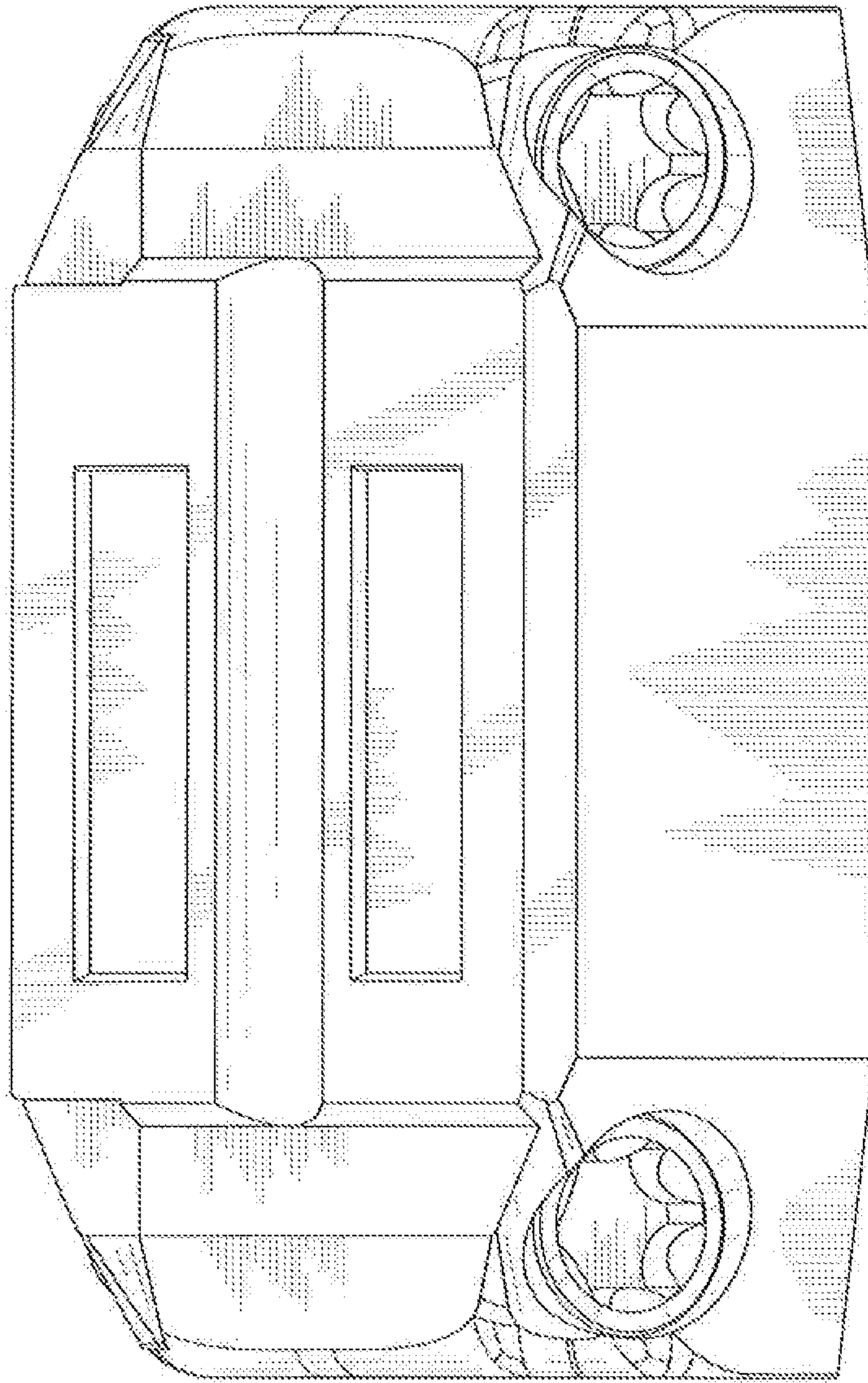


FIG. 3

FIG. 4

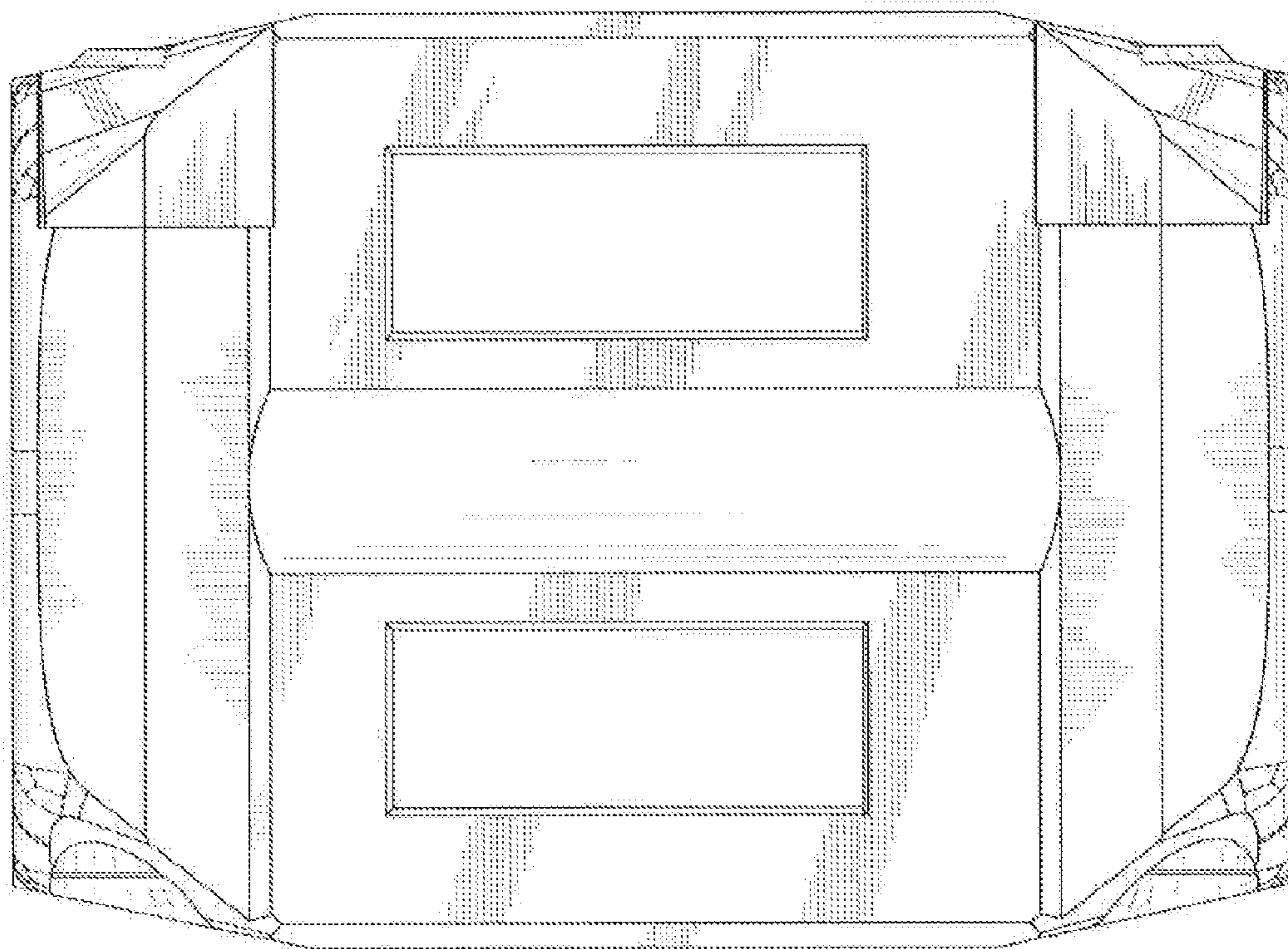
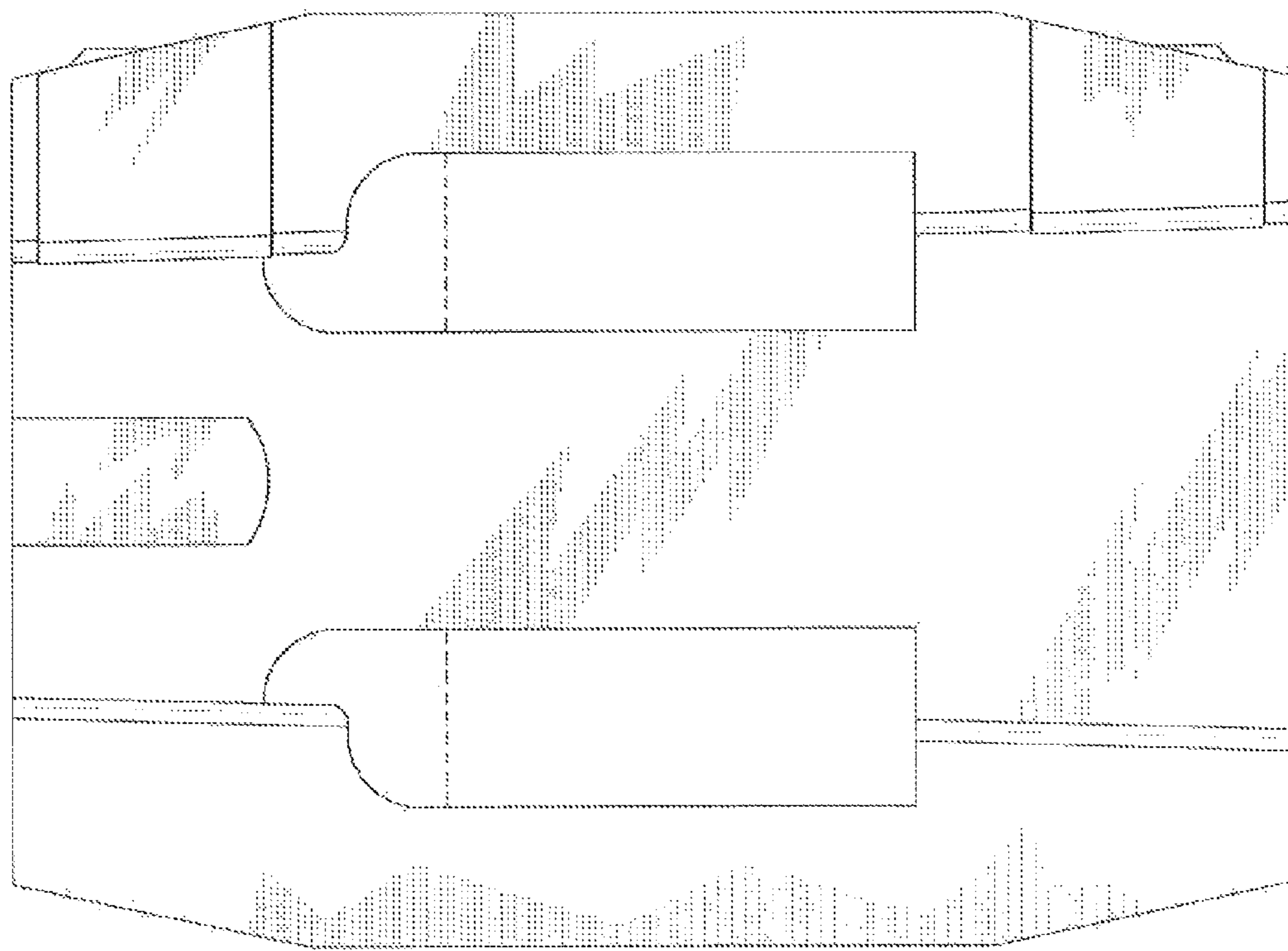


FIG. 5



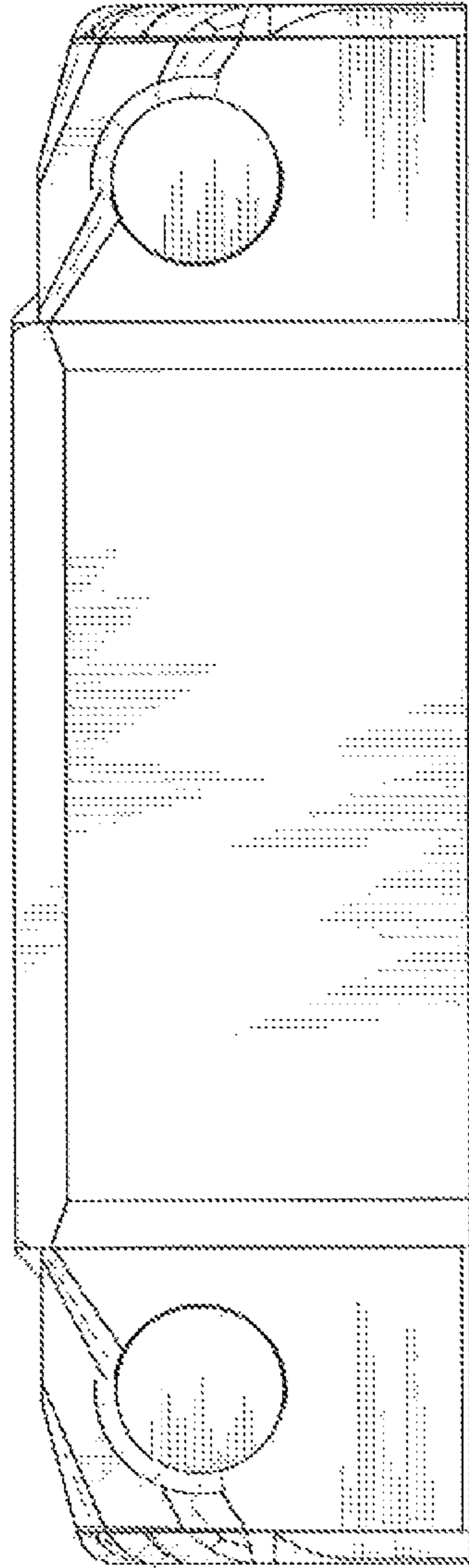


FIG. 6



FIG. 7



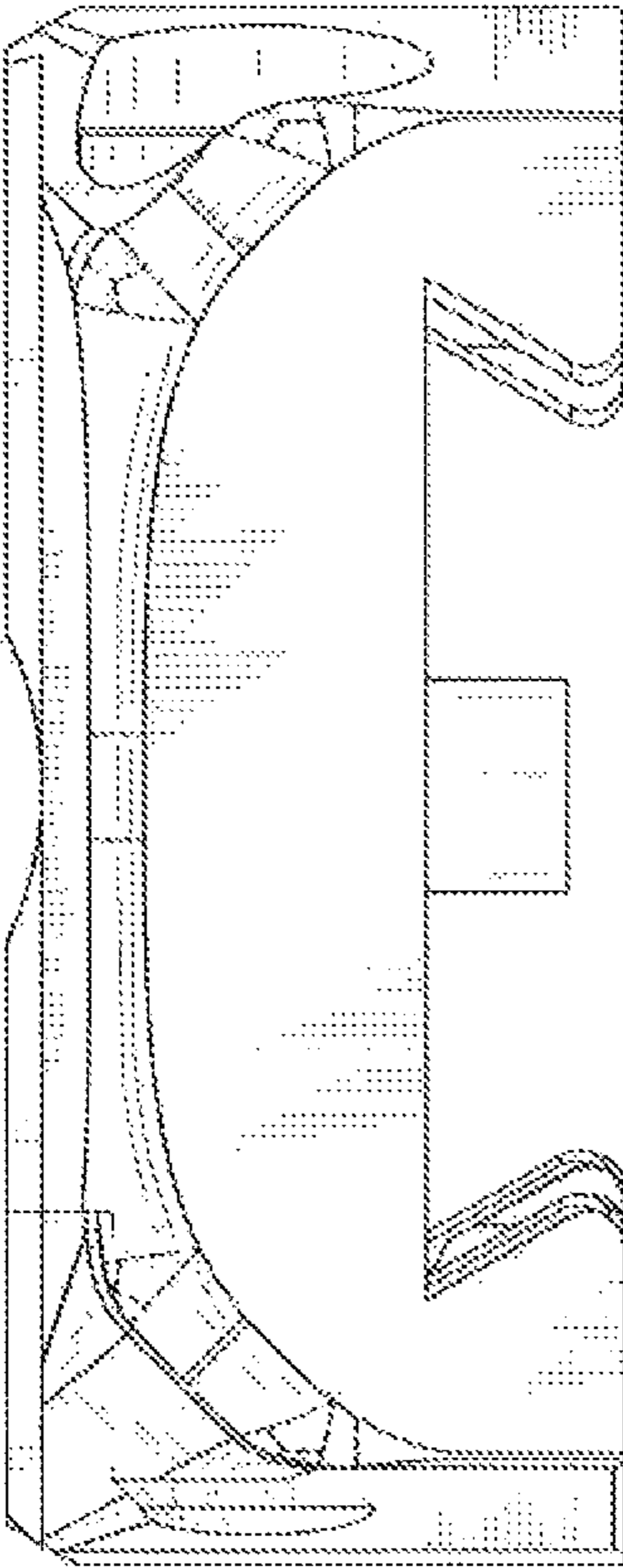


FIG. 8

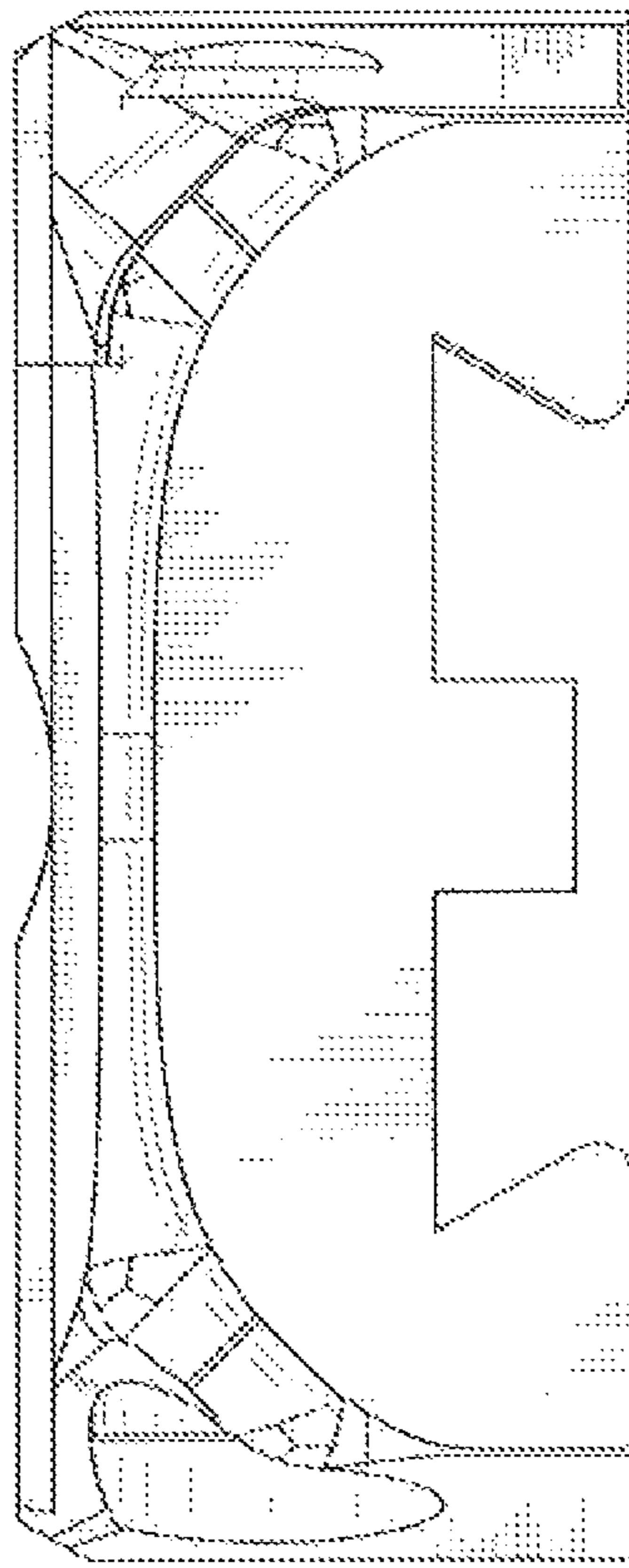


FIG. 9