



US00D686293S

(12) **United States Design Patent**
Barnett

(10) **Patent No.:** **US D686,293 S**

(45) **Date of Patent:** **** Jul. 16, 2013**

(54) **BLOW GUN**

(75) **Inventor:** **David A. Barnett**, Tarpon Springs, FL
(US)

(73) **Assignee:** **Barnett Outdoors, LLC**, Tarpon
Springs, FL (US)

(**) **Term:** **14 Years**

(21) **Appl. No.:** **29/413,098**

(22) **Filed:** **Feb. 10, 2012**

(51) **LOC (9) Cl.** **22-01**

(52) **U.S. Cl.**
USPC **D22/102**

(58) **Field of Classification Search**
USPC . D22/102, 108; 124/62, 73, 83, 85; 42/76.01,
42/77, 78; 248/62; 239/DIG. 2; 24/45

See application file for complete search history.

(56) **References Cited**

U.S. PATENT DOCUMENTS

856,813	A	*	6/1907	Schultz	124/62
D216,308	S	*	12/1969	Hirsch	D22/102
4,054,120	A	*	10/1977	Foley	124/62
D282,765	S	*	2/1986	Shipman	D22/102
D346,635	S	*	5/1994	Vang	D22/102

* cited by examiner

Primary Examiner — Michael A Pratt
(74) *Attorney, Agent, or Firm* — Jones Walker LLP

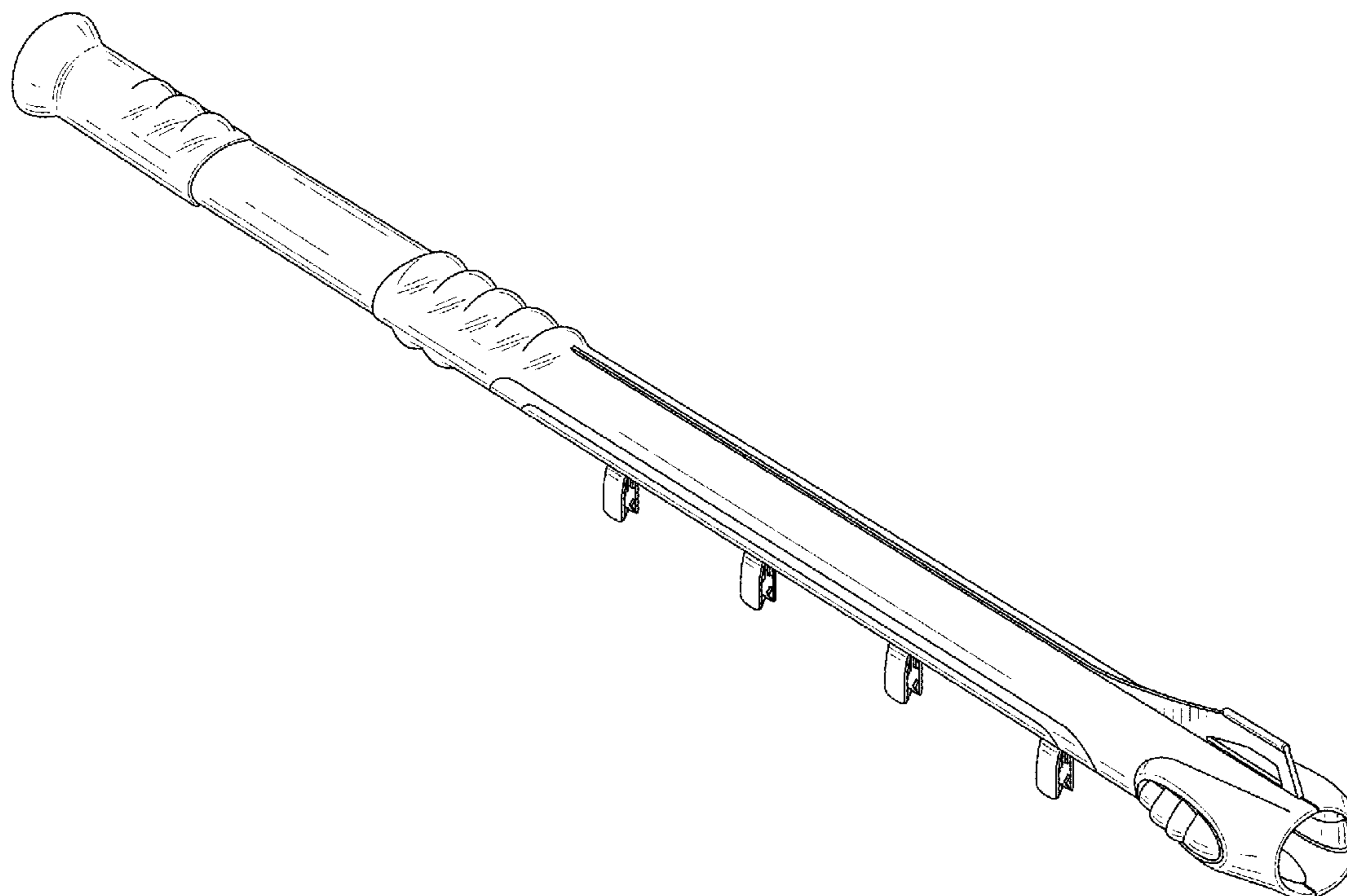
(57) **CLAIM**

I claim the ornamental design for a blow gun, as shown and described.

DESCRIPTION

FIG. 1 is a right perspective view of my new design;
FIG. 2 is a left side view thereof;
FIG. 3 is a right side view thereof;
FIG. 4 is a top view thereof;
FIG. 5 is a bottom view thereof;
FIG. 6 is a front view thereof; and,
FIG. 7 is a rear view thereof.

1 Claim, 6 Drawing Sheets



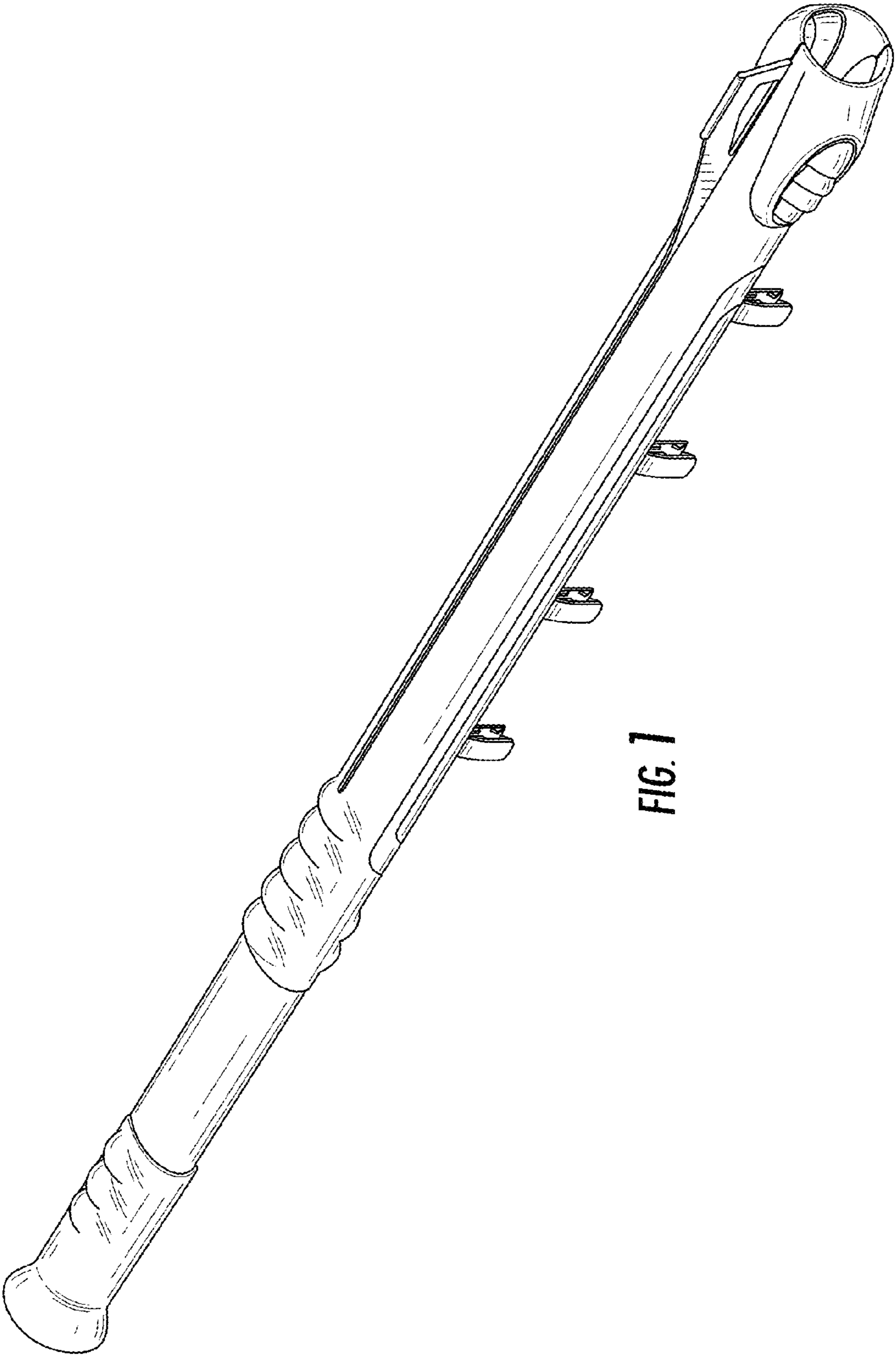


FIG. 1

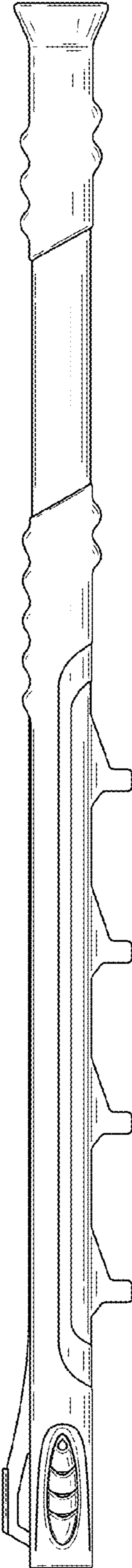


FIG. 2

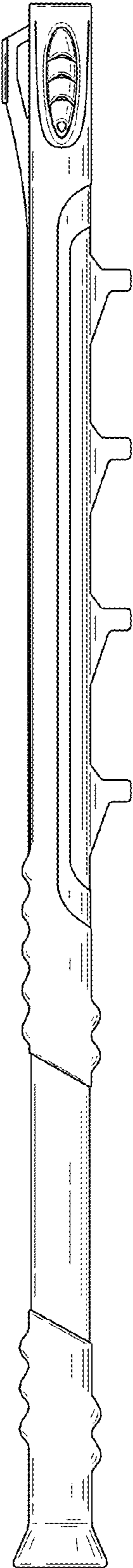


FIG. 3

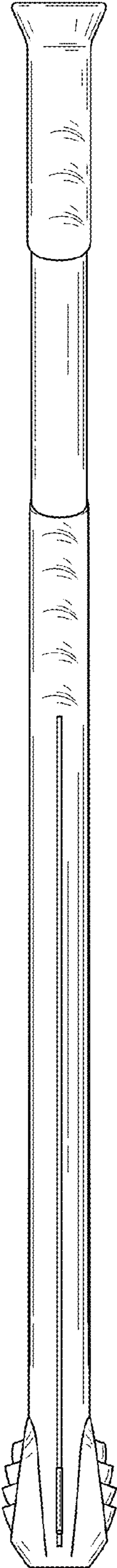


FIG. 4

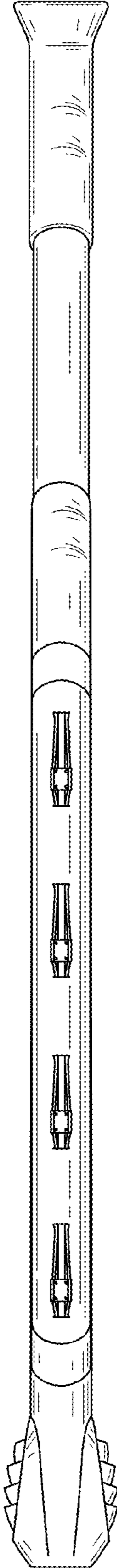


FIG. 5

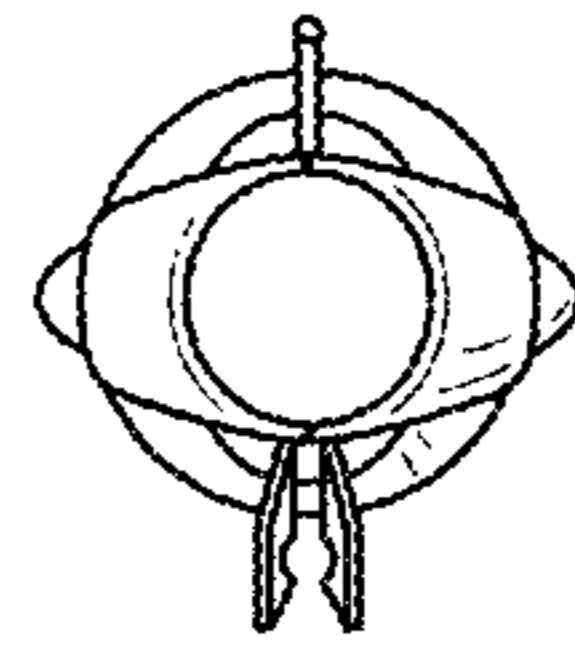


FIG. 6

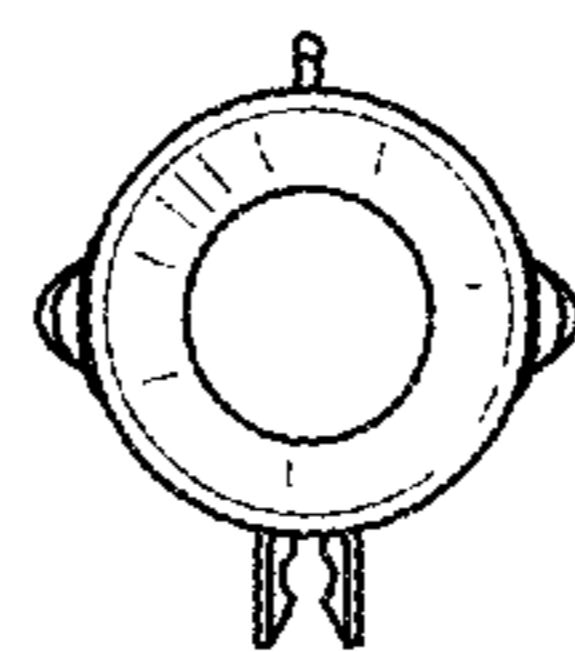


FIG. 7