



US00D686290S

(12) **United States Design Patent**
Kim et al.

(10) **Patent No.:** **US D686,290 S**
(45) **Date of Patent:** **** Jul. 16, 2013**

(54) **GOLF CLUB HEAD**

(75) Inventors: **Kevin W. Kim**, Vista, CA (US); **Philip G. Foster**, Vista, CA (US); **Matthew Myers**, San Marcos, CA (US)

(73) Assignee: **Callaway Golf Company**, Carlsbad, CA (US)

(**) Term: **14 Years**

(21) Appl. No.: **29/429,209**

(22) Filed: **Aug. 8, 2012**

(51) **LOC (9) Cl.** **21-02**

(52) **U.S. Cl.**
USPC **D21/759**

(58) **Field of Classification Search**
USPC D21/733, 752, 759; 473/324–331,
473/343–346
See application file for complete search history.

(56) **References Cited**

U.S. PATENT DOCUMENTS

D351,441 S * 10/1994 Iinuma et al. D21/752
D366,079 S * 1/1996 Kenmi D21/752

D624,979 S * 10/2010 Morris et al. D21/752
D656,211 S * 3/2012 Foster D21/752
D656,570 S * 3/2012 Foster D21/752

* cited by examiner

Primary Examiner — Mitchell Siegel

(74) *Attorney, Agent, or Firm* — Rebecca Hanovice;
Michael A. Catania; Sonia Lari

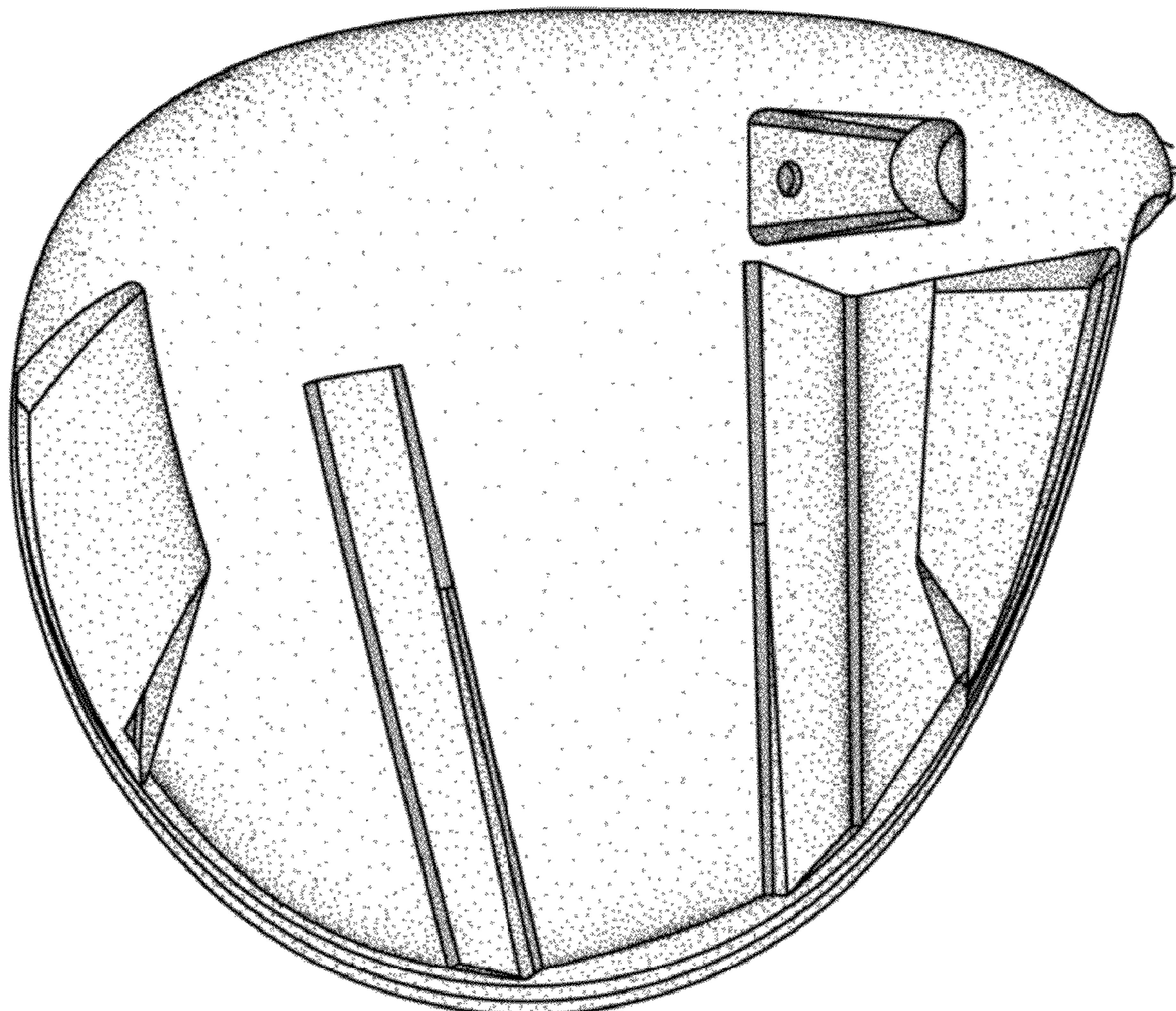
(57) **CLAIM**

The ornamental design for a golf club head, as shown and described.

DESCRIPTION

FIG. 1 is a rear perspective view of a golf club head as claimed herein;
FIG. 2 is a top perspective view thereof;
FIG. 3 is a bottom plan view thereof;
FIG. 4 is a top plan view thereof;
FIG. 5 is a left side elevational view thereof;
FIG. 6 is a right side elevational view thereof; and,
FIG. 7 is a front elevational view thereof.
The broken lines are included for the purpose of illustration and form no part of the claimed design.

1 Claim, 4 Drawing Sheets



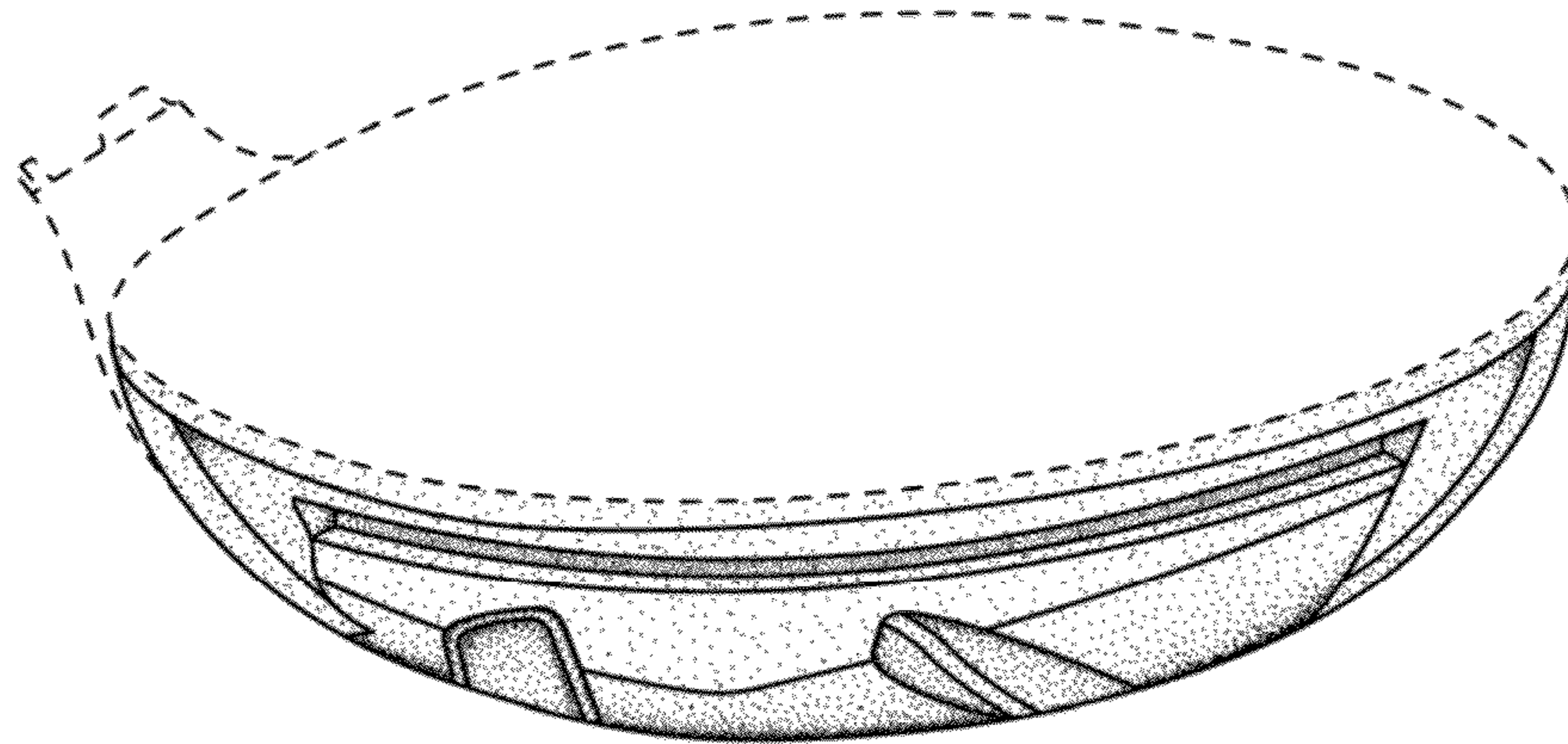


FIG. 1

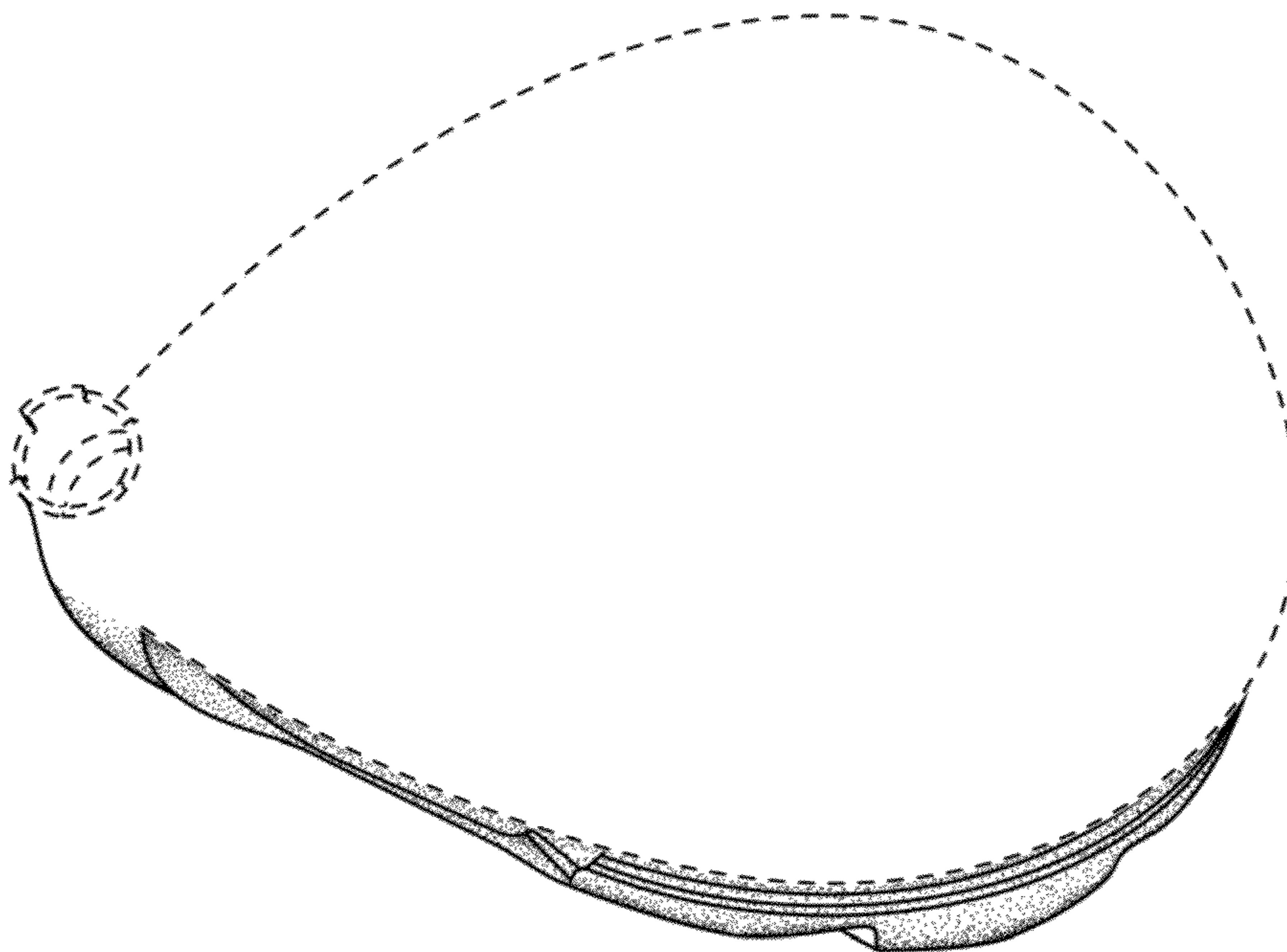


FIG. 2

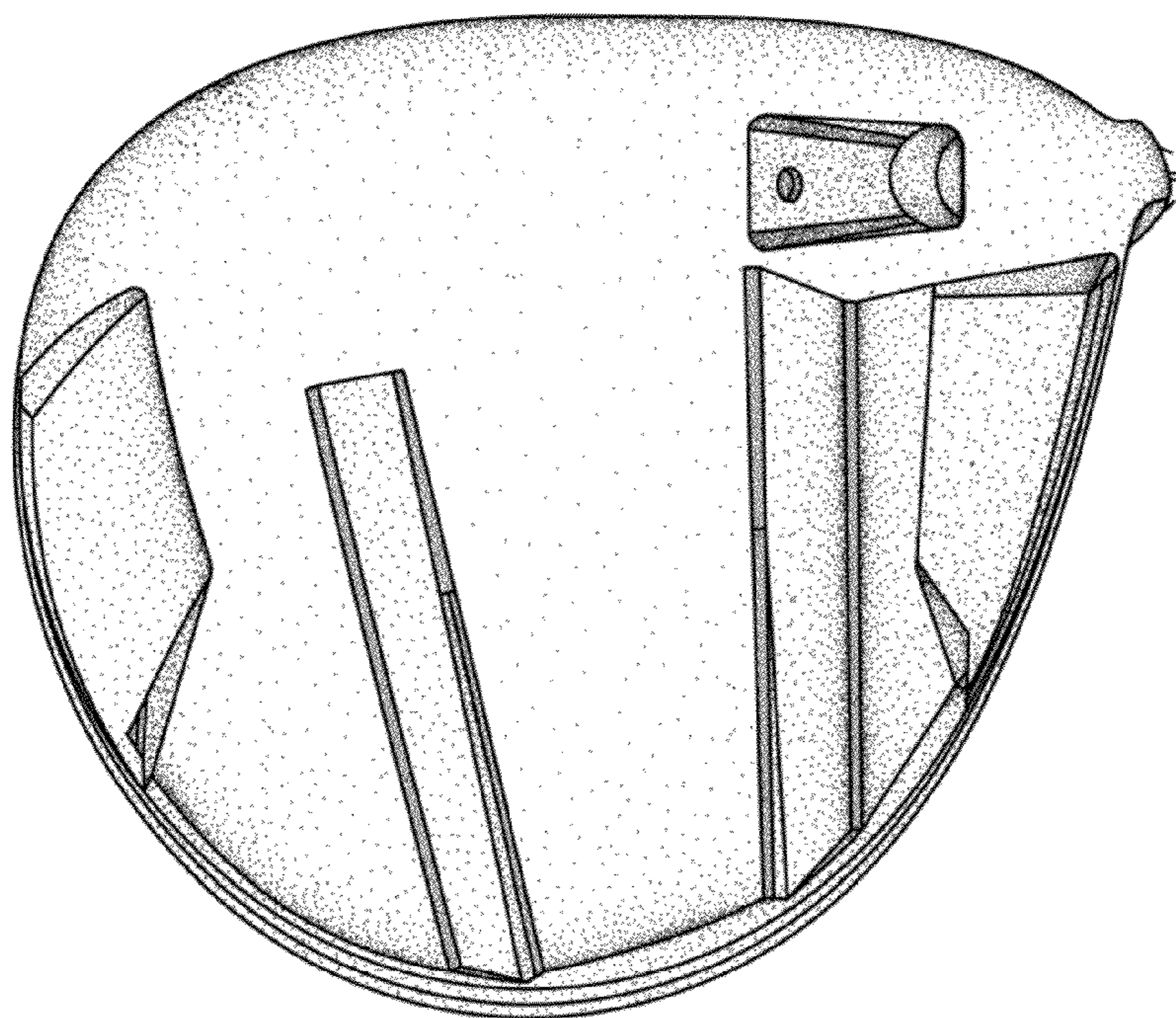


FIG. 3

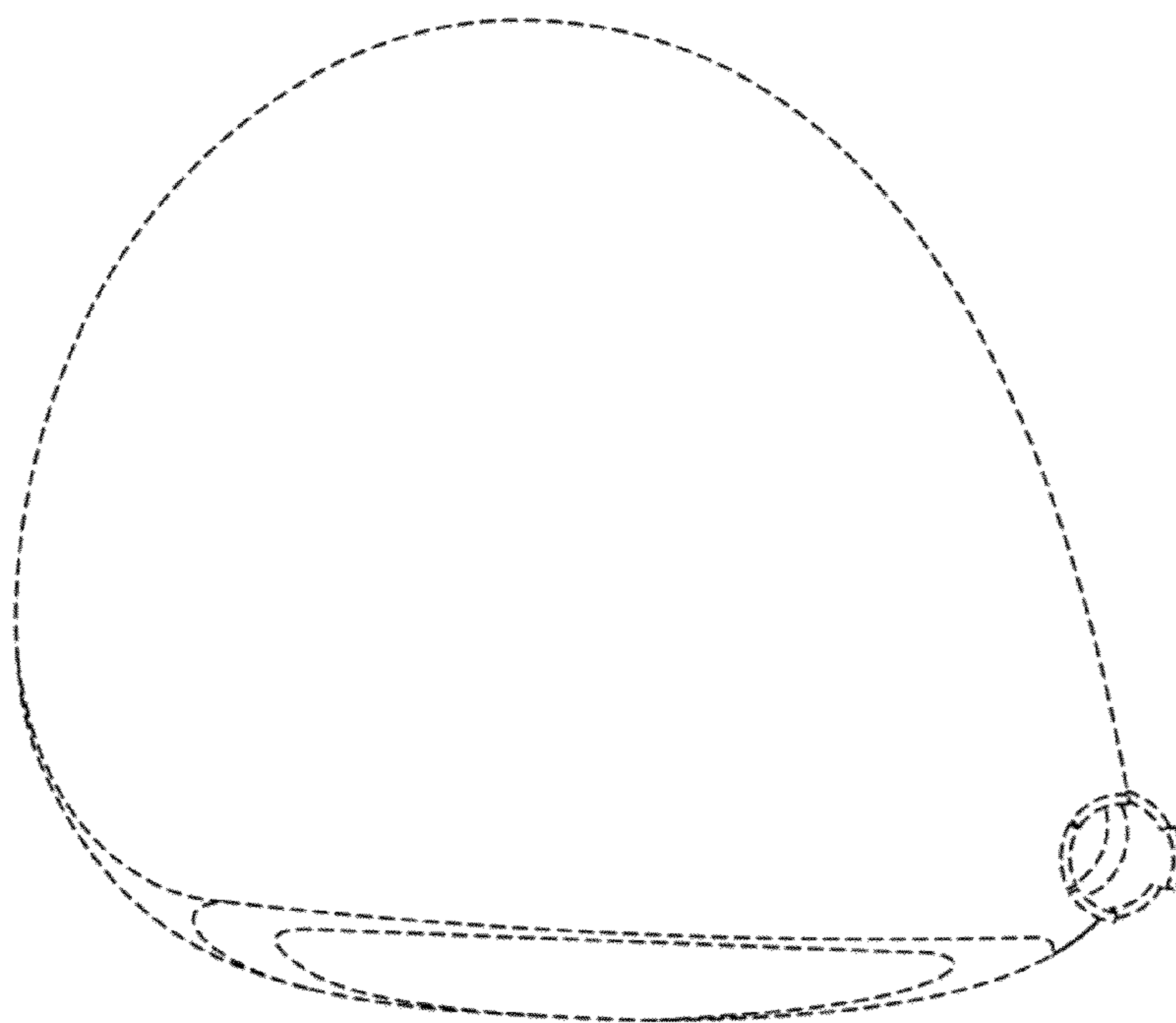


FIG. 4

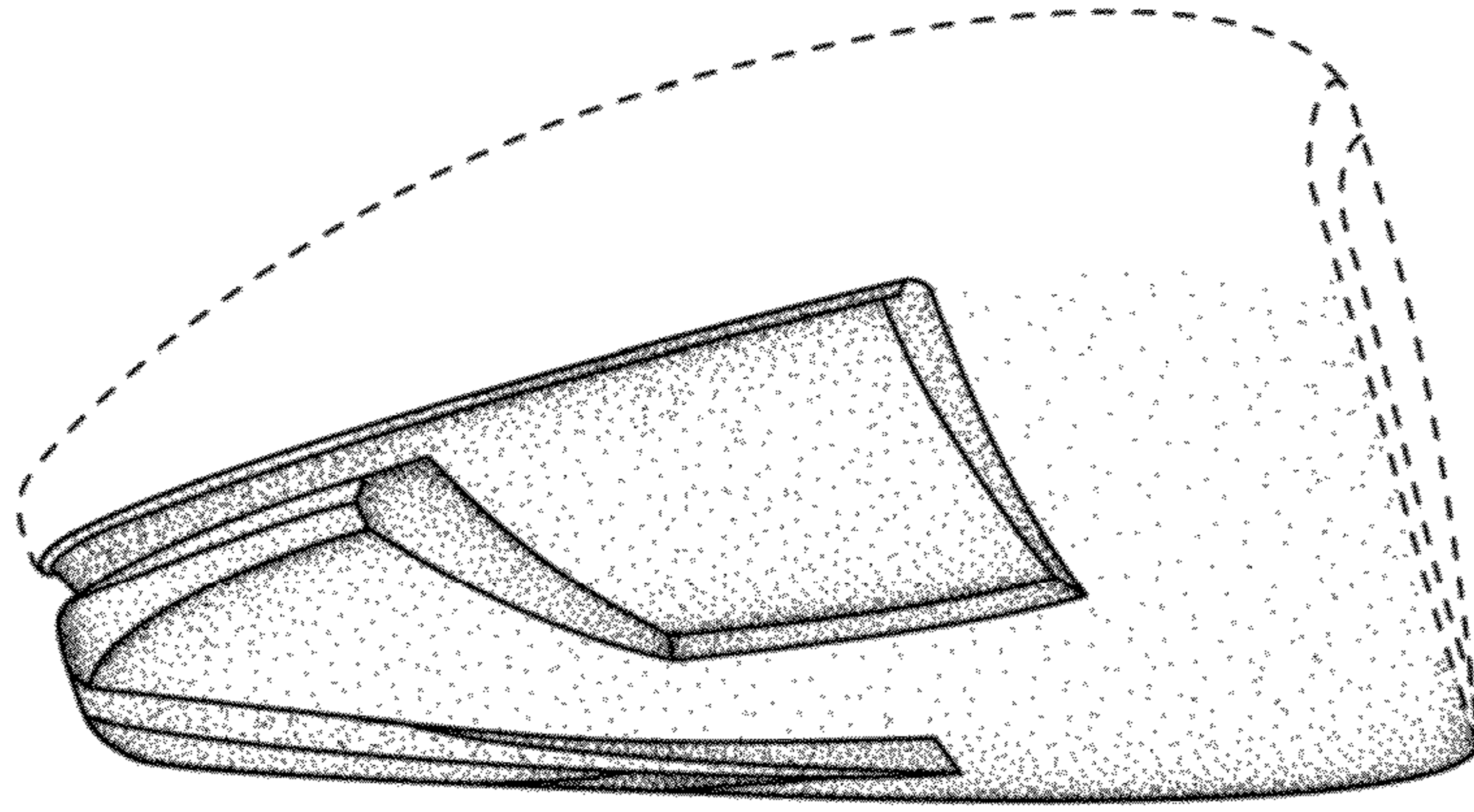


FIG. 5

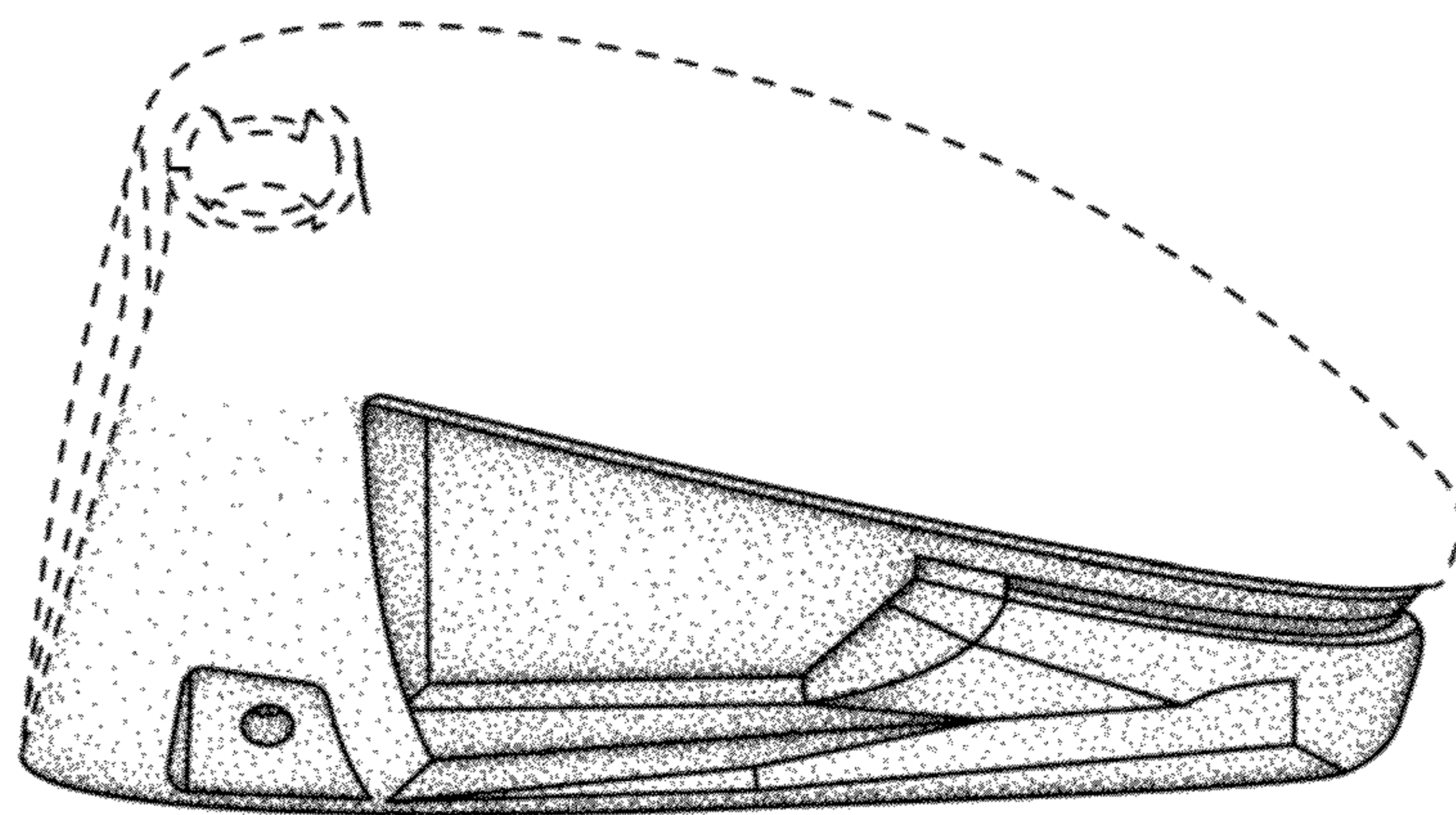


FIG. 6

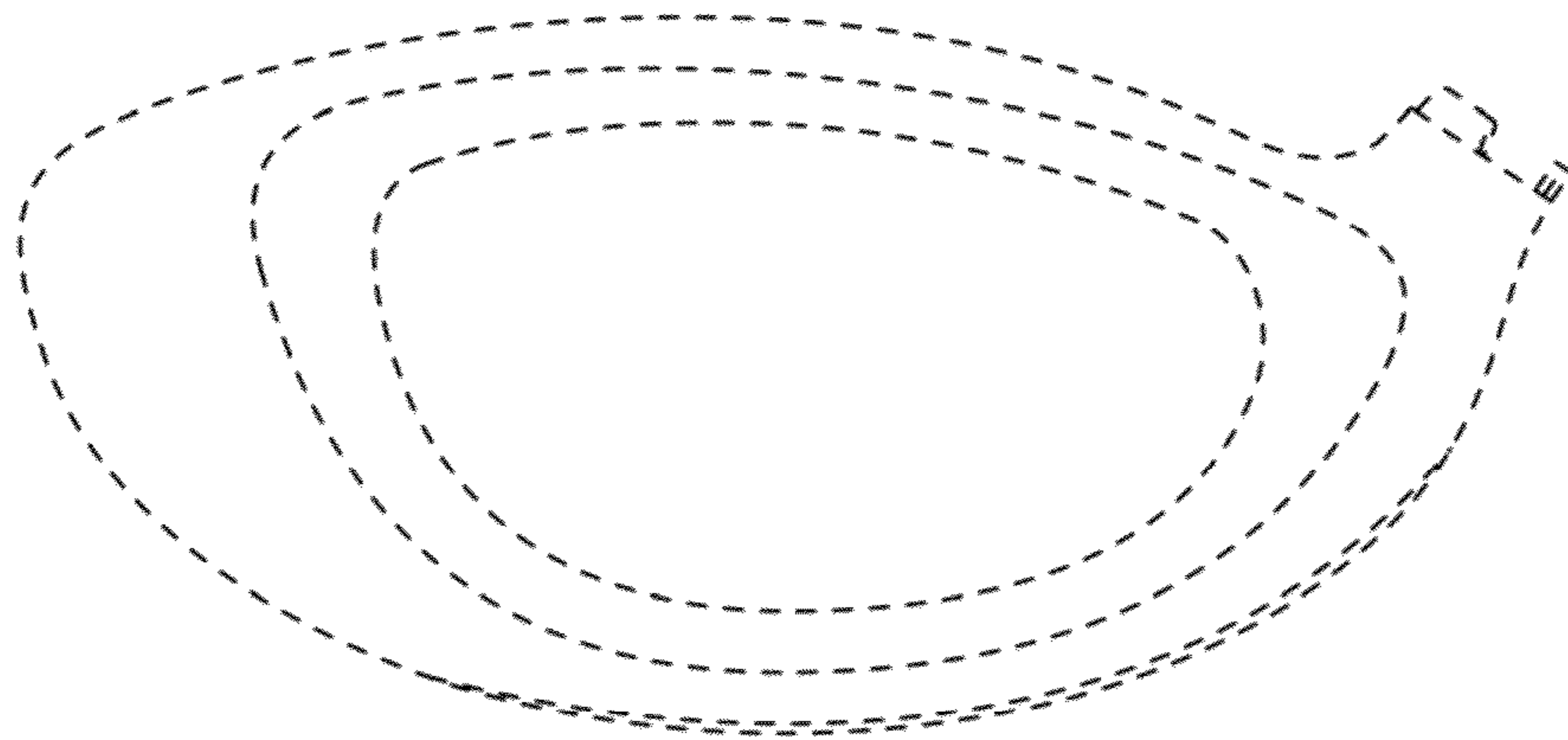


FIG. 7