



US00D686286S

(12) **United States Design Patent**  
**Orakwusi**

(10) **Patent No.:** **US D686,286 S**

(45) **Date of Patent:** **\*\* Jul. 16, 2013**

(54) **UNIVERSAL EXERCISE BAR AND PULL-UP APPARATUS**

(75) Inventor: **Obidi Orakwusi**, Owings Mills, MD (US)

(73) Assignee: **Obidi Orakwusi**, Owings Mills, MD (US)

(\*\*) Term: **14 Years**

(21) Appl. No.: **29/430,860**

(22) Filed: **Aug. 30, 2012**

(51) **LOC (9) Cl.** ..... **21-02**

(52) **U.S. Cl.**  
USPC ..... **D21/679**

(58) **Field of Classification Search**  
USPC ..... D21/662, 679, 691, 694; 482/23, 482/35-41, 94, 98, 139-143, 145, 148, 208; D6/566, 691.7, 708.16; D8/321, 349, 373  
See application file for complete search history.

(56) **References Cited**

**U.S. PATENT DOCUMENTS**

258,146	A *	5/1882	Smith	.....	482/40
D197,076	S	12/1963	Spackman et al.		
D210,469	S	3/1968	Sejersen et al.		
3,430,953	A *	3/1969	Teetor	.....	482/40
3,915,452	A *	10/1975	Winblad	.....	482/40
4,412,677	A *	11/1983	Viramontes	.....	482/39
4,458,894	A	7/1984	Dudley		
4,529,191	A *	7/1985	Miller et al.	.....	482/40
4,662,629	A *	5/1987	Plovie	.....	482/40
D297,957	S *	10/1988	Gordon, III	.....	D21/691
D301,270	S	5/1989	Levenston		
4,844,448	A	7/1989	Niznik		
4,900,015	A	2/1990	Dissinger		
D320,249	S	9/1991	Gerard		

D320,636	S	10/1991	Eckler		
D348,706	S	7/1994	Harrell		
5,417,628	A	5/1995	Vanderbleek		
5,776,033	A	7/1998	Brown		
D425,151	S	5/2000	Landfair		
6,179,748	B1	1/2001	Barr		
6,508,743	B1	1/2003	Fortin		
7,108,636	B1	9/2006	Garcia		
D554,209	S *	10/2007	Loucks	.....	D21/694
7,621,847	B2 *	11/2009	Lamle et al.	.....	482/40
D626,187	S	10/2010	Friedman et al.		
D633,156	S	2/2011	Caswell et al.		
D633,961	S *	3/2011	Loew et al.	.....	D21/679
8,172,726	B1	5/2012	Leier		
D667,901	S *	9/2012	Garcia Chavez	.....	D21/679
2005/0250619	A1	11/2005	Daikeler et al.		
2012/0115683	A1	5/2012	Ross		
2012/0115684	A1	5/2012	Nguyen		
2013/0040784	A1 *	2/2013	Gillespie et al.	.....	482/39

**FOREIGN PATENT DOCUMENTS**

GB 2474452 4/2011

\* cited by examiner

*Primary Examiner* — Susan E Krakower

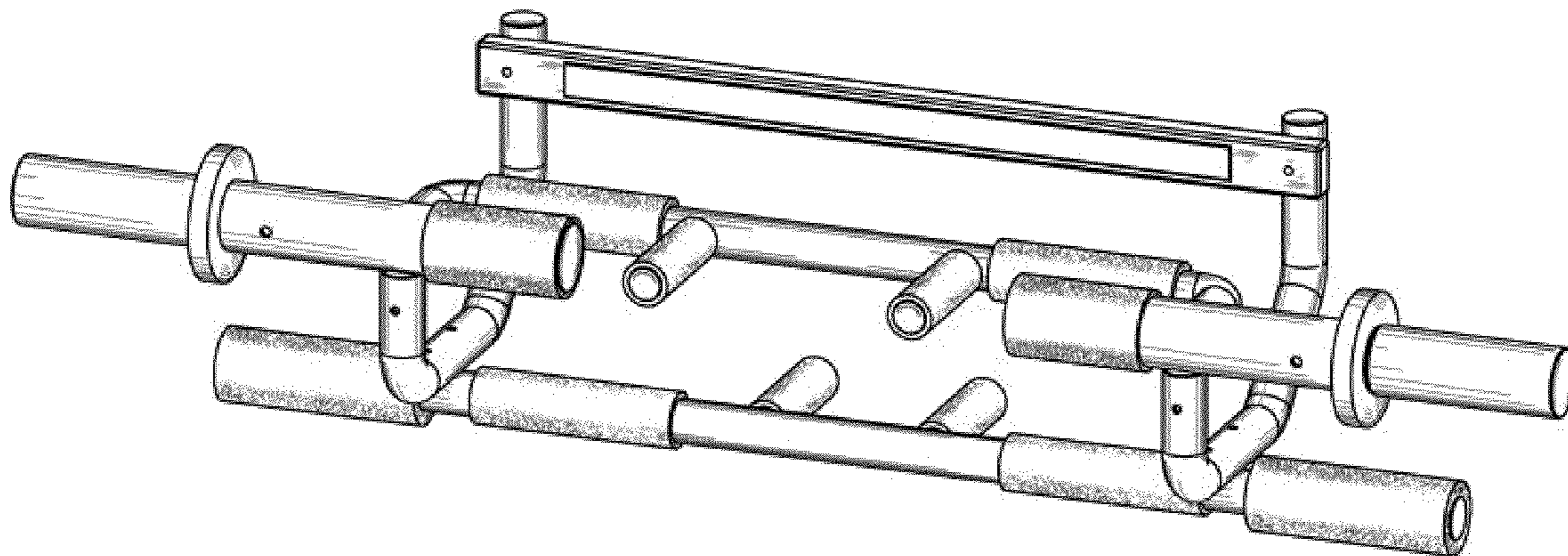
(57) **CLAIM**

The ornamental design for a universal exercise bar and pull-up apparatus, as shown and described.

**DESCRIPTION**

FIG. 1 is a perspective view of a universal exercise bar and pull-up apparatus showing my new design. FIG. 2 is a top plan view thereof. FIG. 3 is a bottom plan view thereof. FIG. 4 is a right side elevational view thereof, the opposite side being a mirror image thereof. FIG. 5 is a rear elevational view thereof; and, FIG. 6 is a front elevational view thereof.

**1 Claim, 6 Drawing Sheets**



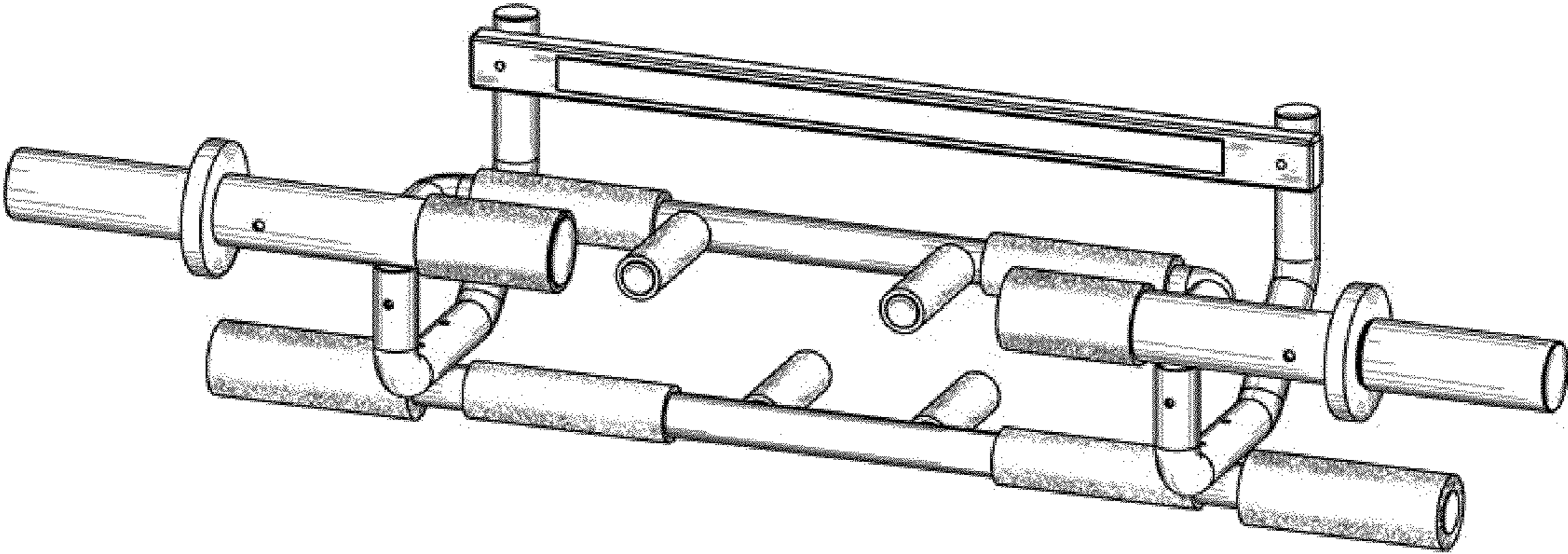


FIG. 1

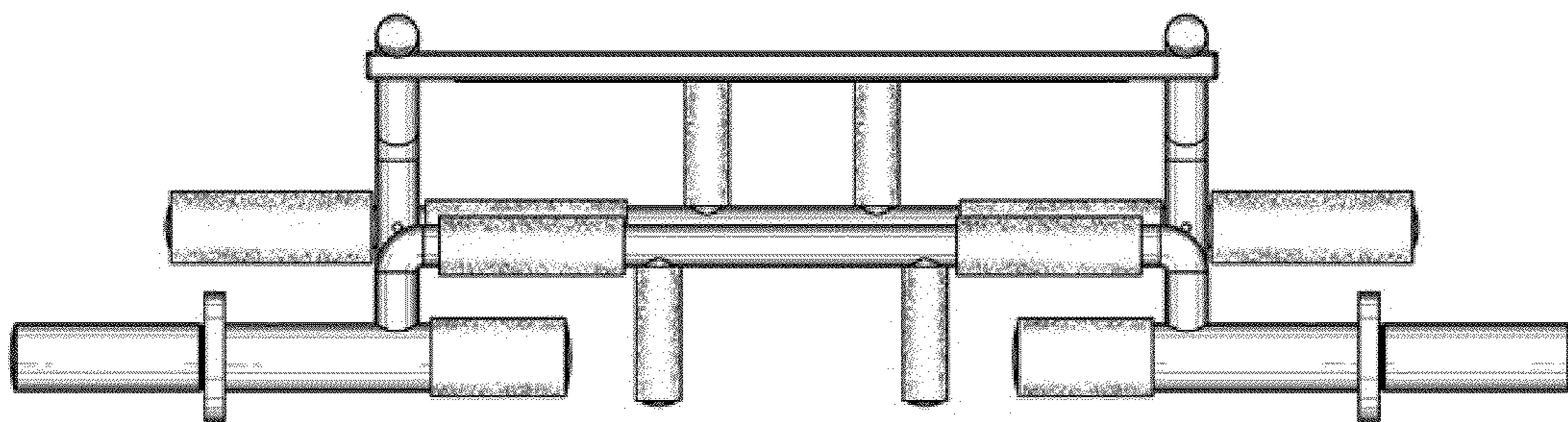


FIG. 2

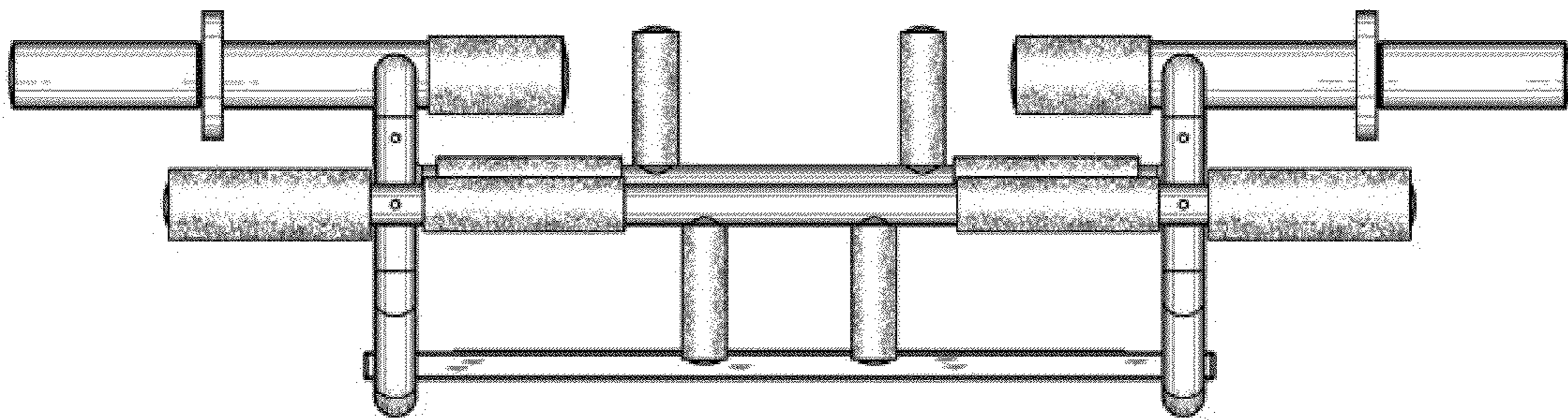


FIG. 3

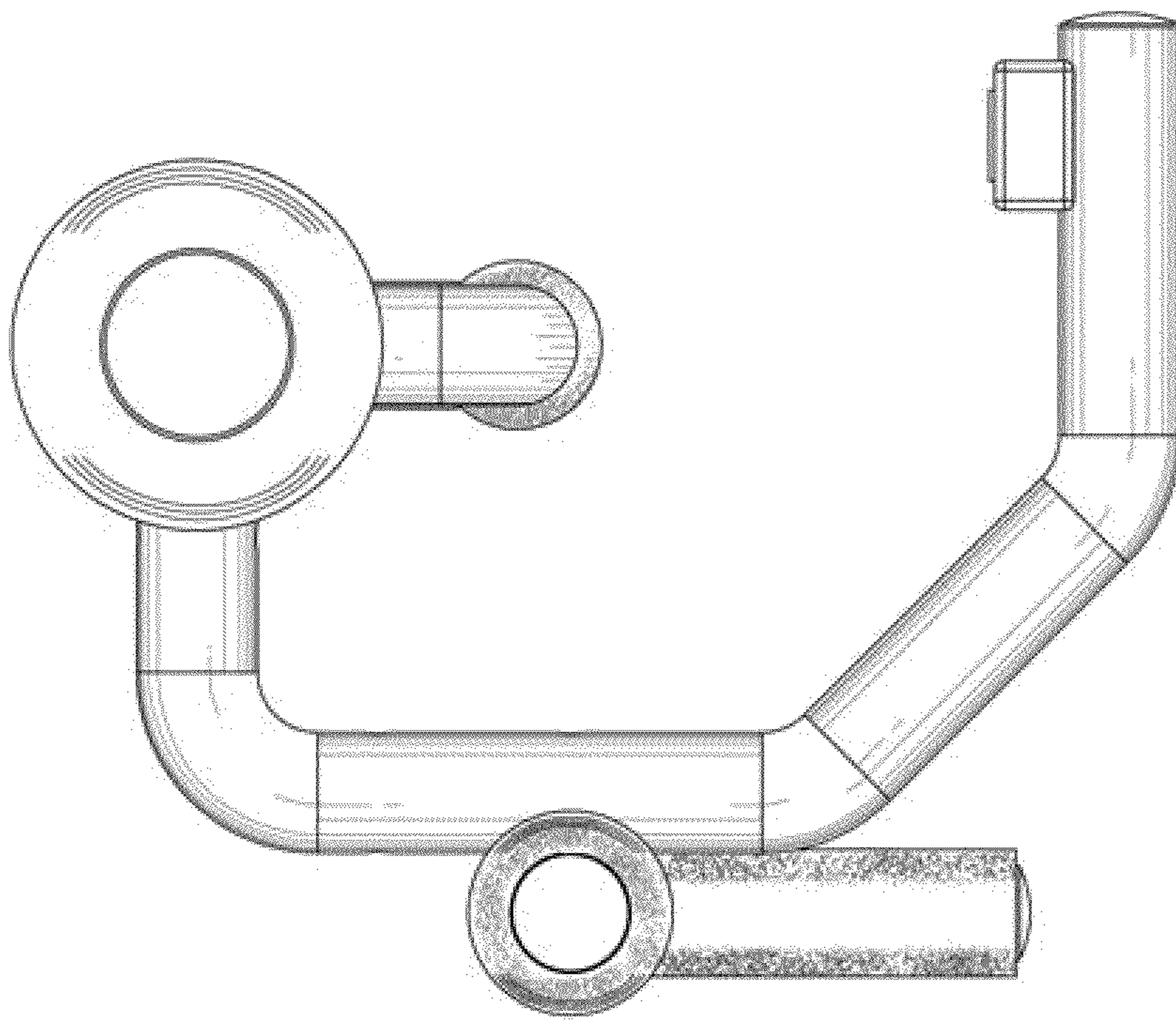


FIG. 4

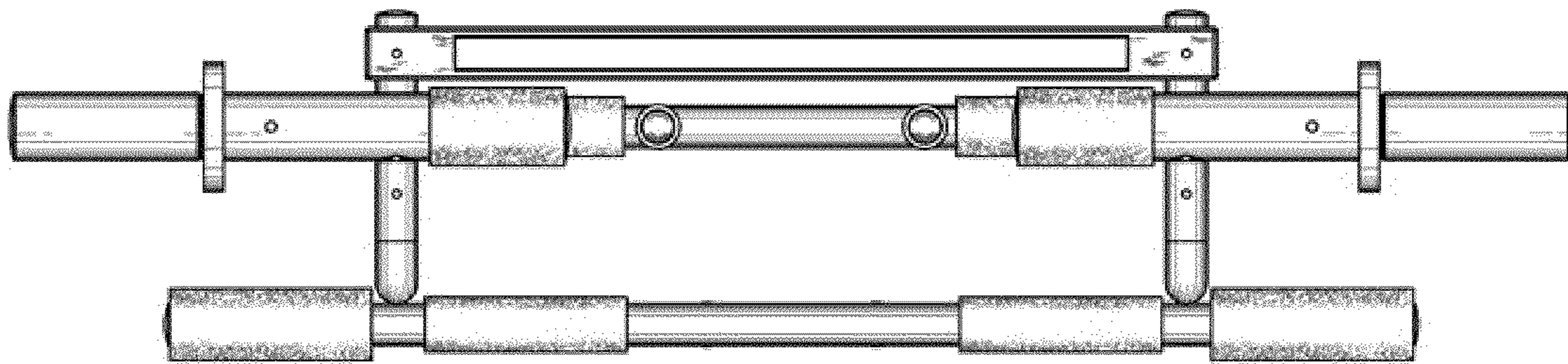


FIG. 5

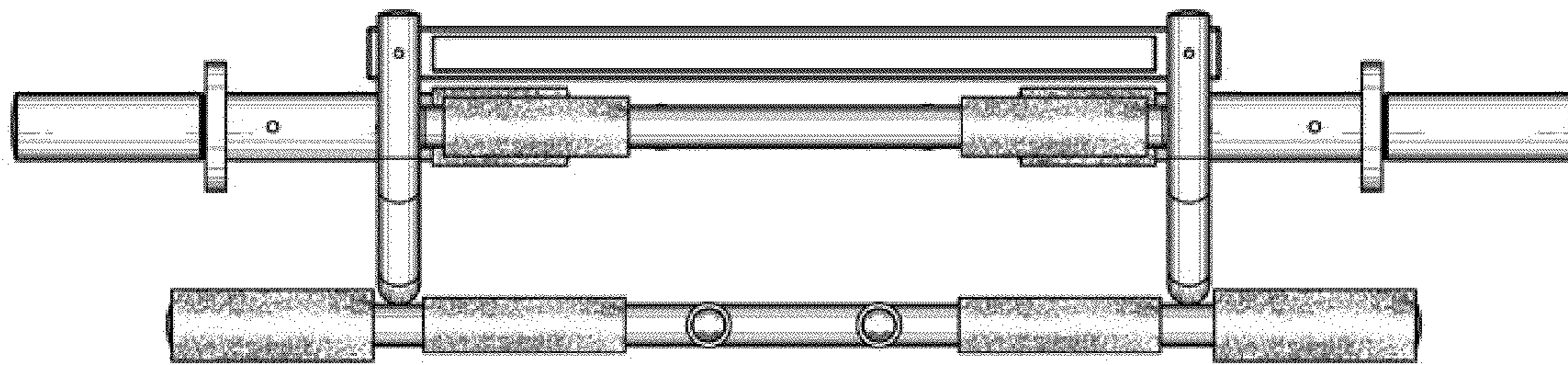


FIG. 6