



US00D686285S

(12) **United States Design Patent**
DeVita

(10) **Patent No.:** **US D686,285 S**

(45) **Date of Patent:** **** Jul. 16, 2013**

(54) **SET OF CHESS PLAYING CARDS**

Primary Examiner — George D Kirschbaum

(71) Applicant: **Mario DeVita**, Lumberton, NJ (US)

(74) *Attorney, Agent, or Firm* — QuickPatents; Kevin Prince

(72) Inventor: **Mario DeVita**, Lumberton, NJ (US)

(57) **CLAIM**

(**) Term: **14 Years**

I claim the ornamental design for a set of chess playing cards, as shown and described.

(21) Appl. No.: **29/437,244**

(22) Filed: **Nov. 14, 2012**

DESCRIPTION

(51) **LOC (9) Cl.** **21-01**

(52) **U.S. Cl.**
USPC **D21/376**

(58) **Field of Classification Search**
USPC D21/376–384; 273/236–287, 288–291
See application file for complete search history.

FIG. 1 is a front elevational view of a chess card set, showing my new design;

FIG. 2 is a left-side elevational view of one of the cards, the other cards having identical left-side elevational views and omitted for clarity of illustration, the right-side elevational view of all cards being a mirror image thereof; and,

FIG. 3 is a top plan view of FIG. 2, the bottom plan view of all cards being a mirror image thereof.

The broken lines showing text in FIG. 1 depict environmental matter and form no part of the claimed design. The rear side of each card in the set forms no part of the claimed design.

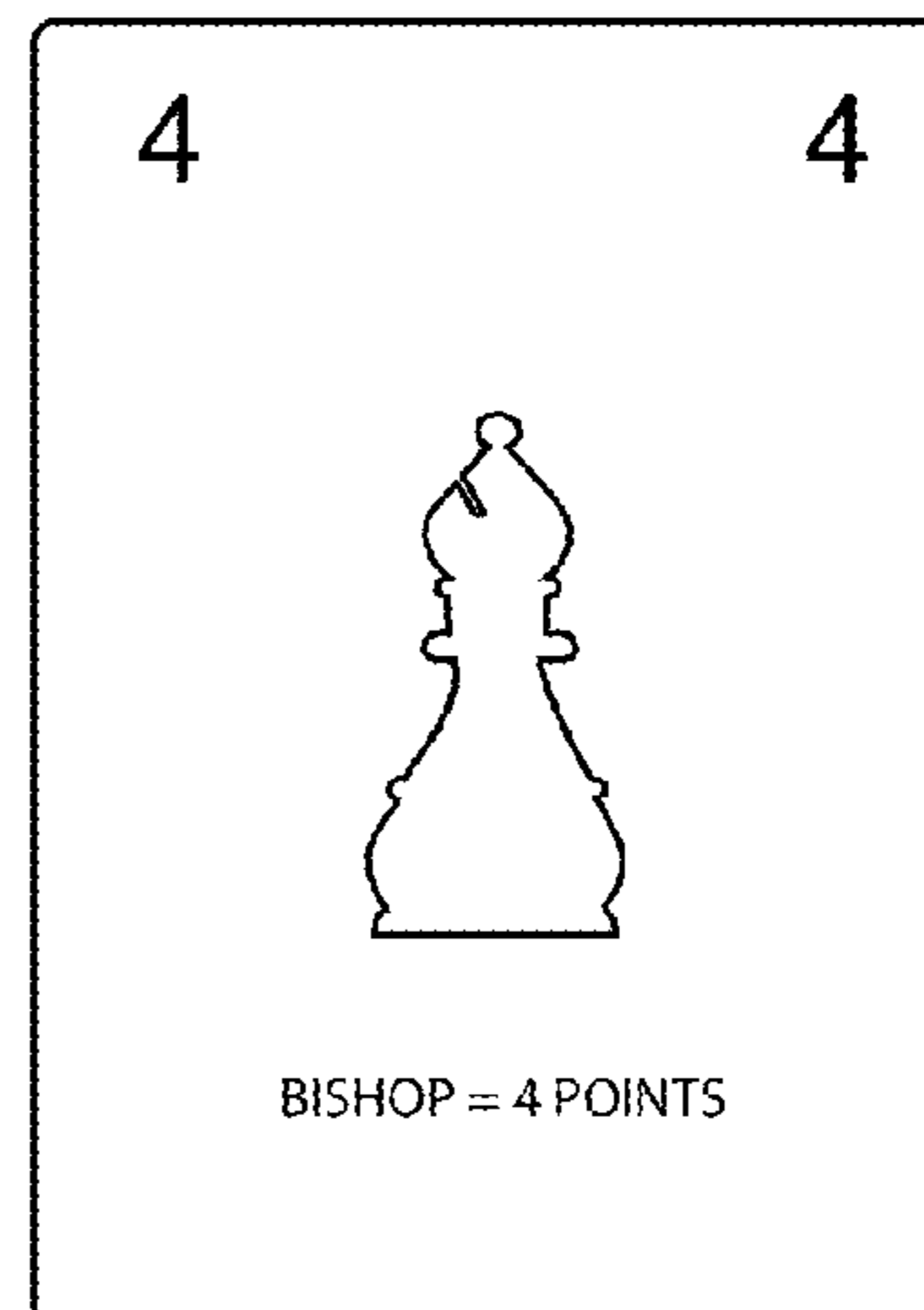
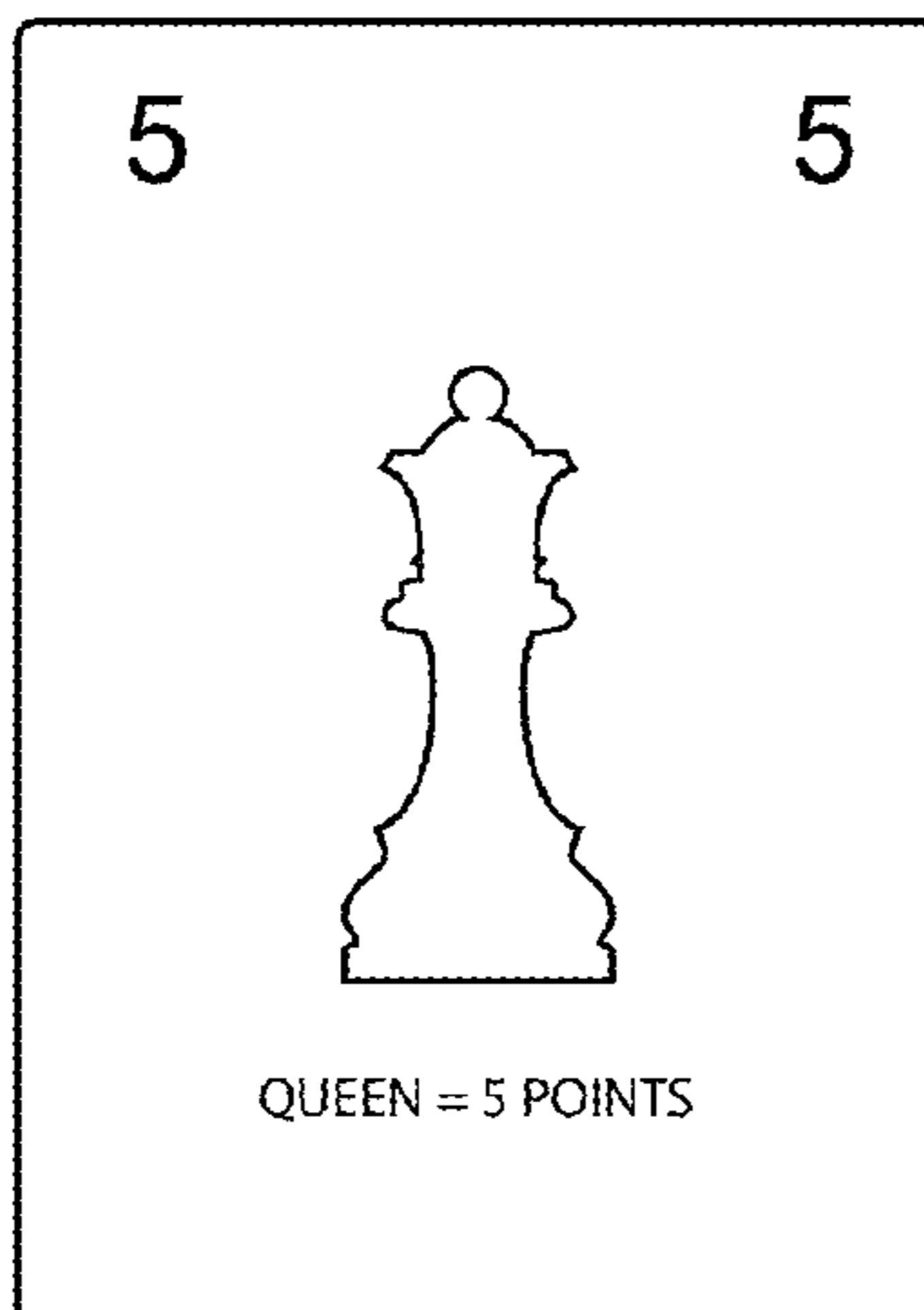
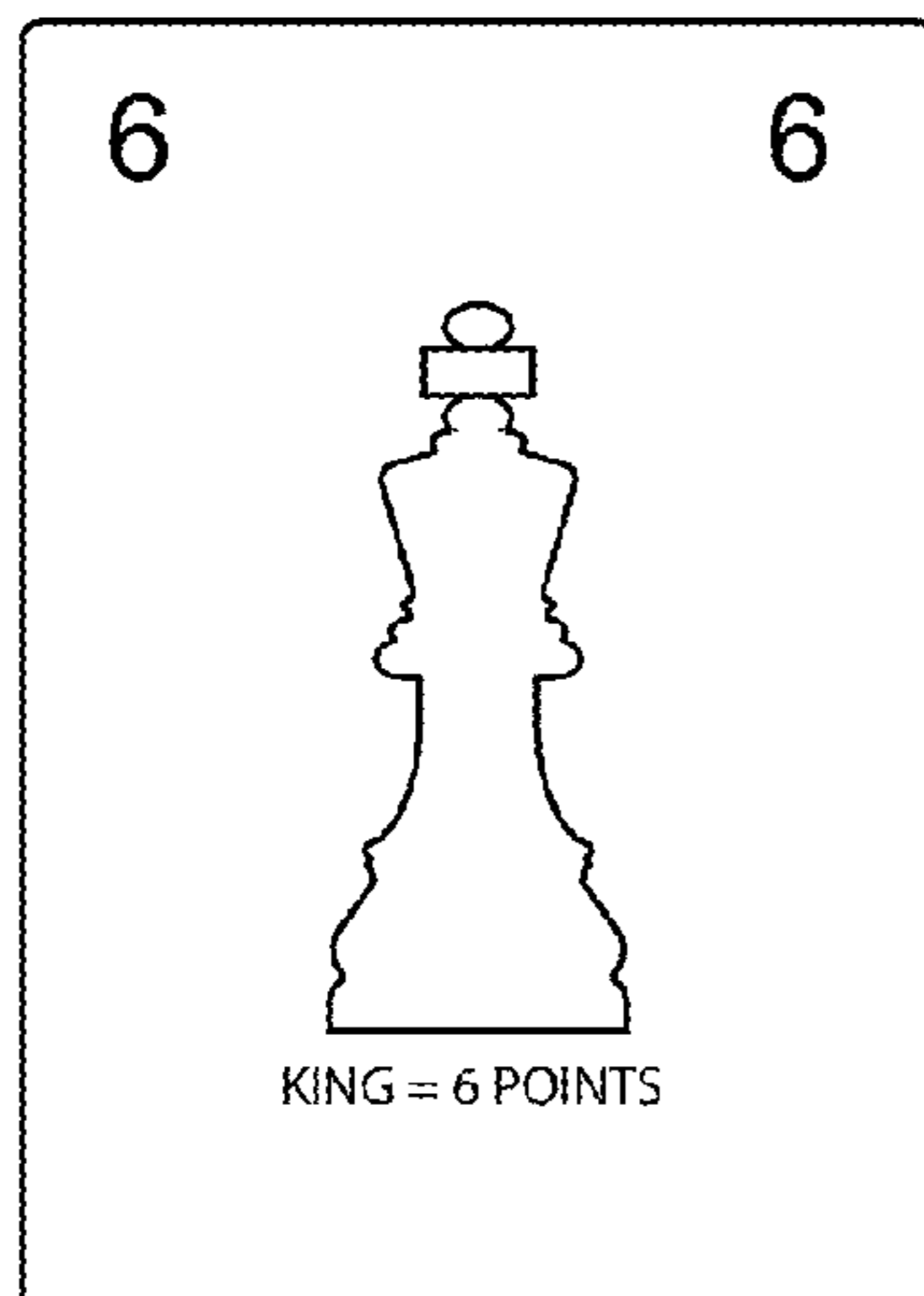
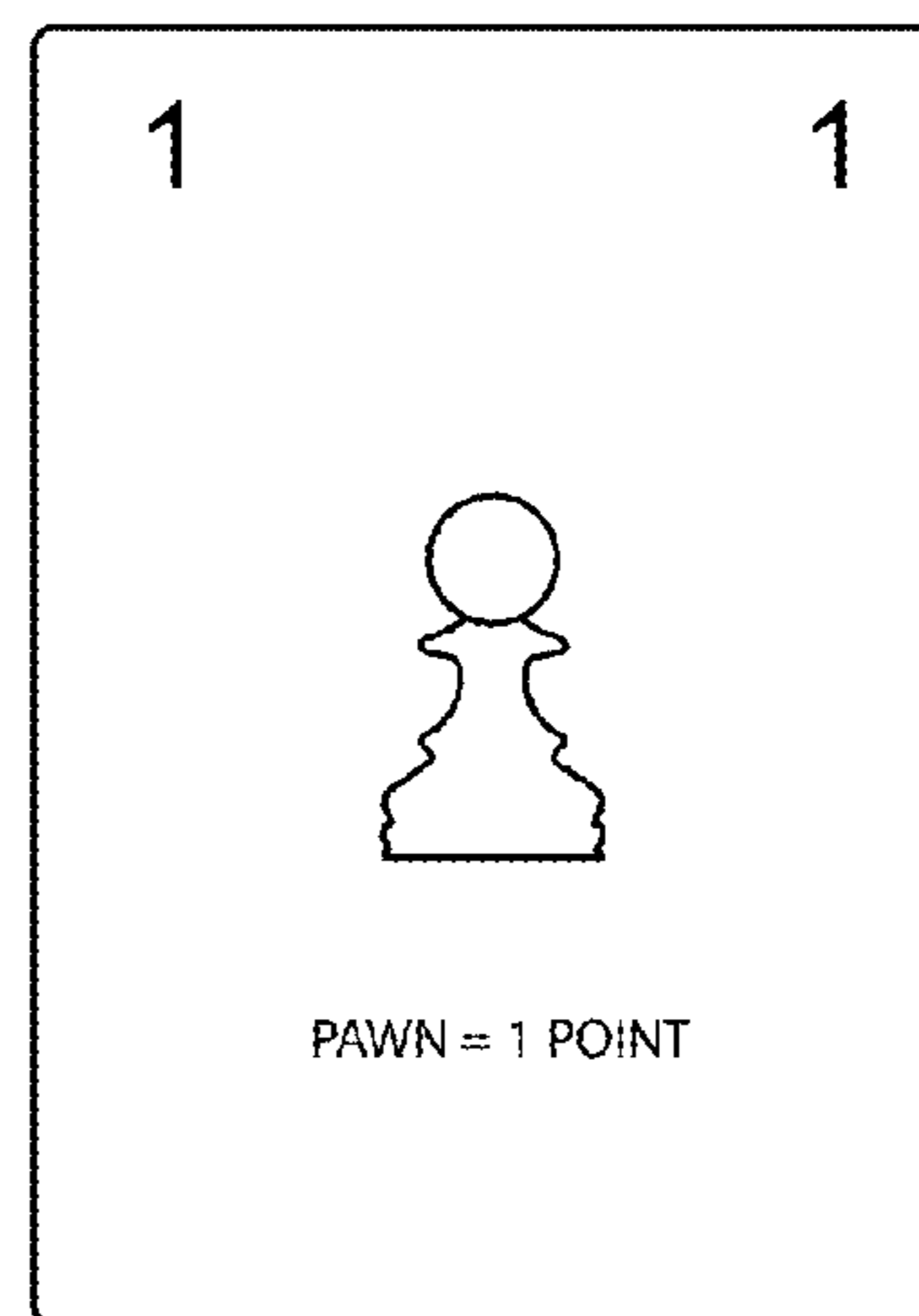
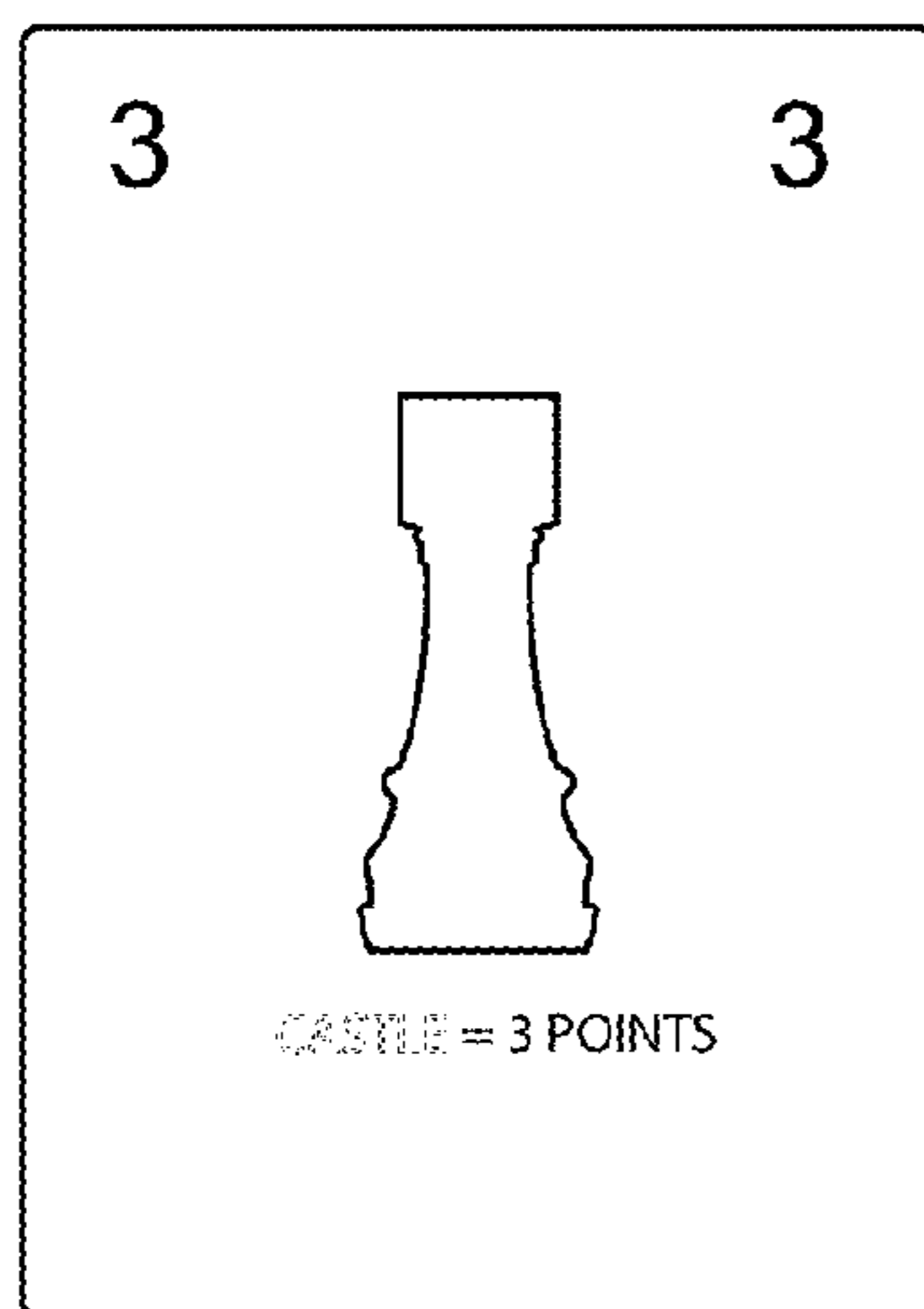
(56) **References Cited**

U.S. PATENT DOCUMENTS

3,684,287 A * 8/1972 Welter 273/260
2011/0254223 A1 * 10/2011 Valentine 273/243

* cited by examiner

1 Claim, 1 Drawing Sheet



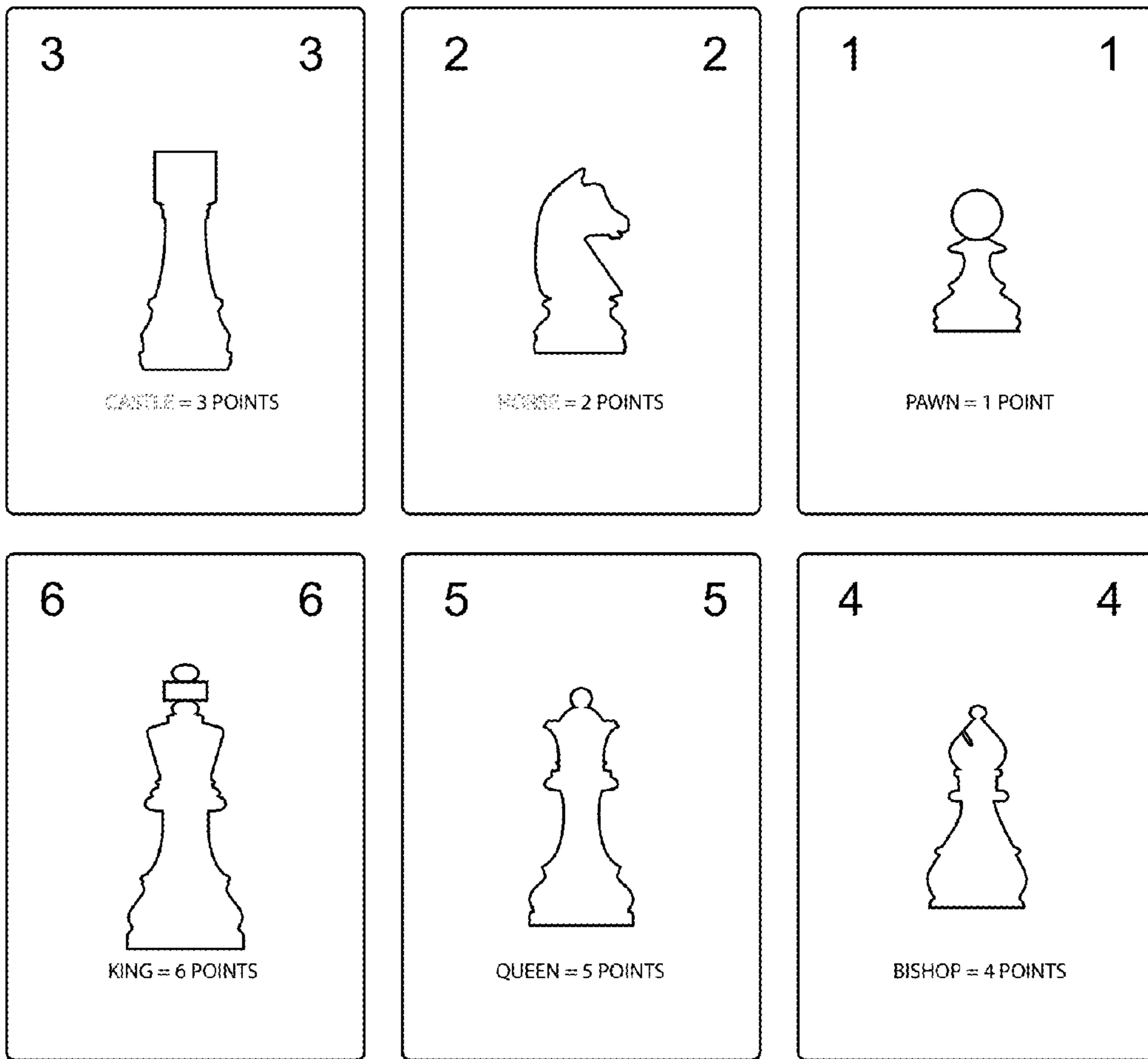


FIG. 1

FIG. 2

FIG. 3