



US00D686280S

(12) **United States Design Patent**  
**Shibata**

(10) **Patent No.:** **US D686,280 S**

(45) **Date of Patent:** **\*\* Jul. 16, 2013**

(54) **MARKING PEN**

(75) Inventor: **Tomoaki Shibata**, Tokyo (JP)

(73) Assignee: **Pentel Kabushiki Kaisha** (JP)

(\*\*) Term: **14 Years**

(21) Appl. No.: **29/395,048**

(22) Filed: **Nov. 16, 2011**

(30) **Foreign Application Priority Data**

May 17, 2011 (JP) ..... 2011-011022

(51) **LOC (9) Cl.** ..... **19-06**

(52) **U.S. Cl.**  
USPC ..... **D19/41**

(58) **Field of Classification Search**  
USPC .. D14/411; D19/35, 36, 41-51, 54-58; 24/11  
F, 11 P, 11 R; 401/52, 99-109, 192, 195,  
401/196; D28/7, 76, 88  
See application file for complete search history.

(56) **References Cited**

**U.S. PATENT DOCUMENTS**

D286,546 S \* 11/1986 Funahashi ..... D19/43  
4,906,120 A \* 3/1990 Sekiguchi et al. .... 401/268  
D330,011 S \* 10/1992 Miller et al. .... D13/150  
D389,862 S \* 1/1998 Imagawa ..... D19/43

D471,234 S \* 3/2003 Okutani ..... D19/57  
D492,722 S \* 7/2004 Oka ..... D19/49  
D522,580 S \* 6/2006 Shibata ..... D19/51  
D568,933 S \* 5/2008 Qiu et al. .... D19/43  
D569,909 S \* 5/2008 Shibata ..... D19/51  
D574,429 S \* 8/2008 Kusaba et al. .... D19/48  
D575,336 S \* 8/2008 Qiu et al. .... D19/43  
D584,357 S \* 1/2009 Oka ..... D19/57

\* cited by examiner

*Primary Examiner* — Elizabeth Albert

(74) *Attorney, Agent, or Firm* — Adams & Wilks

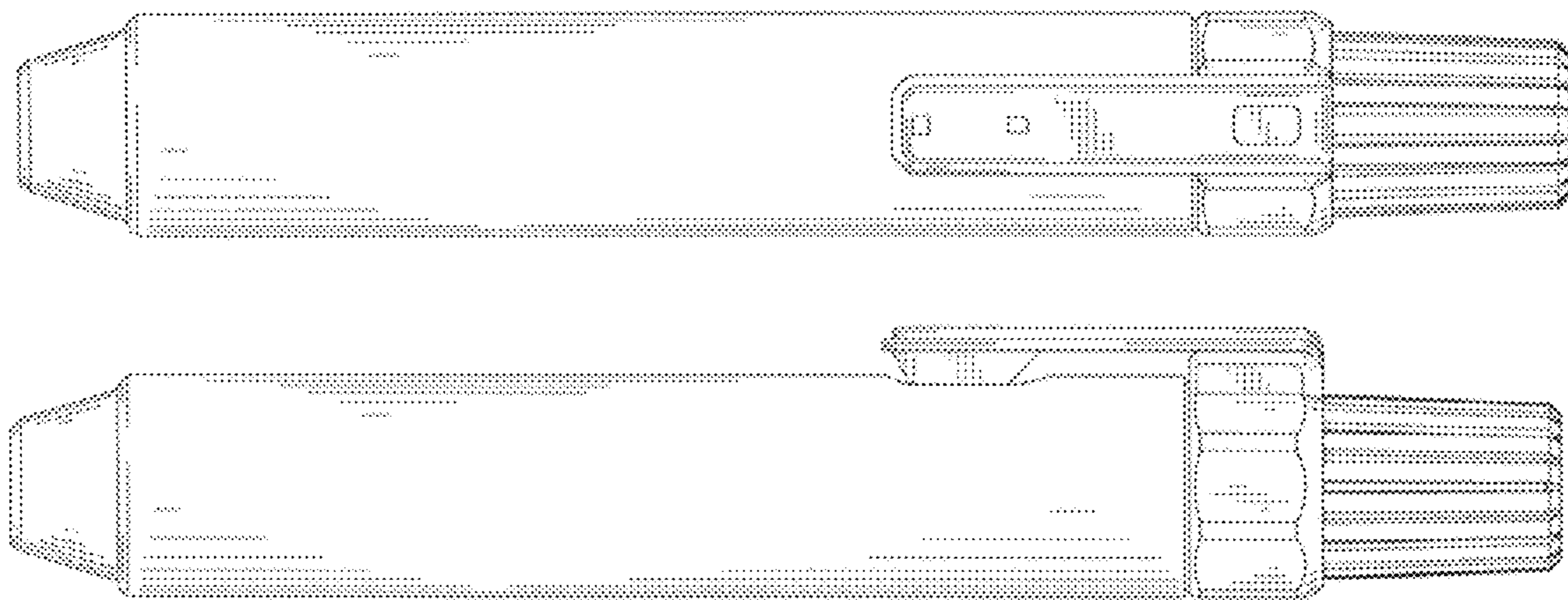
(57) **CLAIM**

The ornamental design for a marking pen, as shown and described.

**DESCRIPTION**

FIG. 1 is a perspective view of the front, top and left side of a marking pen showing my new design;  
FIG. 2 is a front view thereof;  
FIG. 3 is a rear view thereof;  
FIG. 4 is a bottom view thereof, a top view being a mirror image thereof;  
FIG. 5 is a left side view thereof;  
FIG. 6 is a right side view thereof;  
FIG. 7 is a front view thereof showing the marking pen with the nib projected; and,  
FIG. 8 is a bottom view thereof showing the marking pen with the nib projected.

**1 Claim, 4 Drawing Sheets**



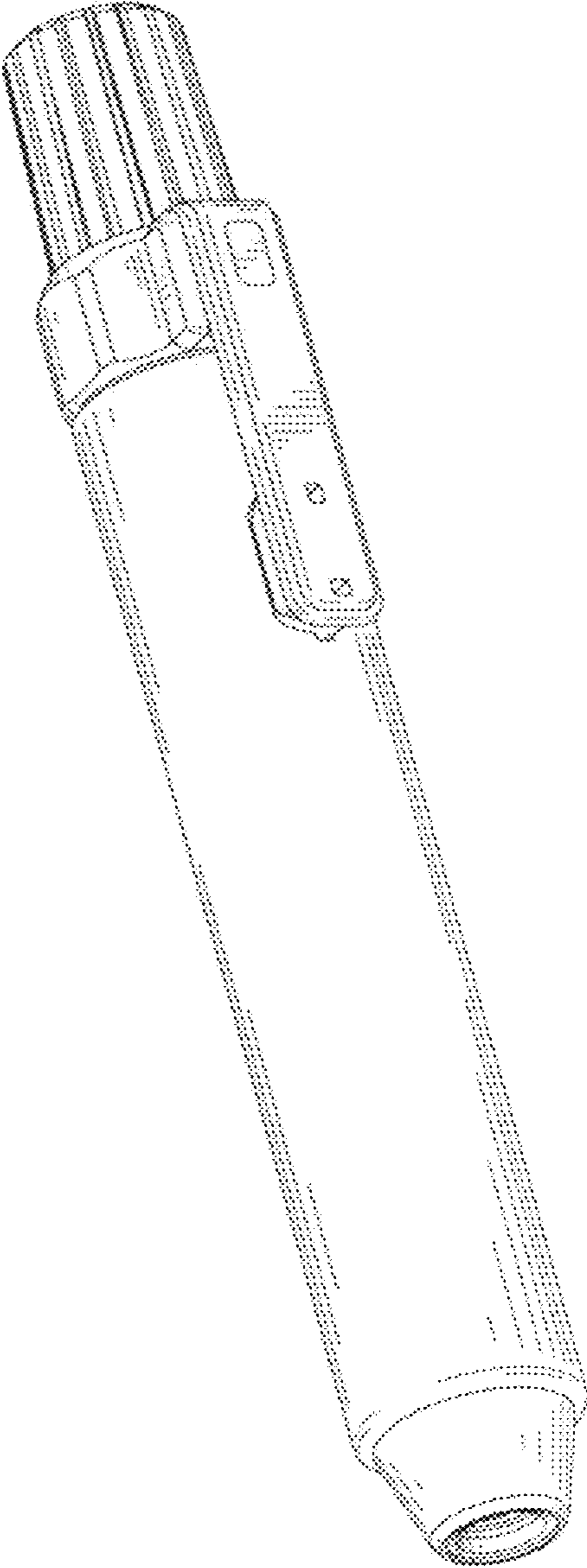


FIG. 1

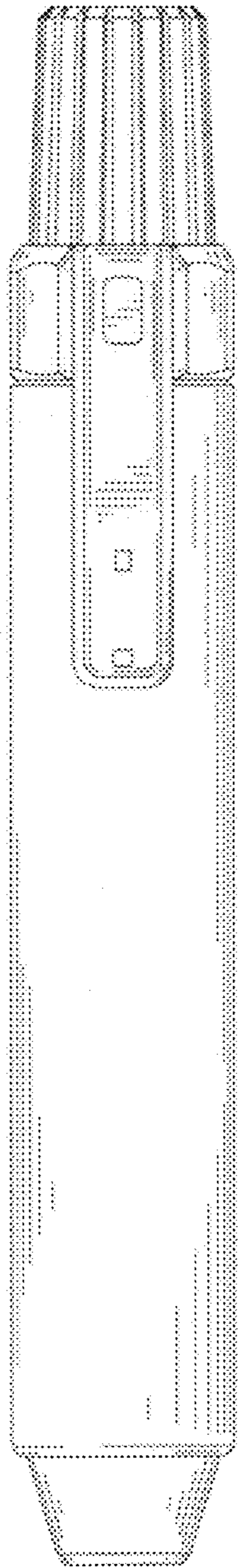


FIG. 2

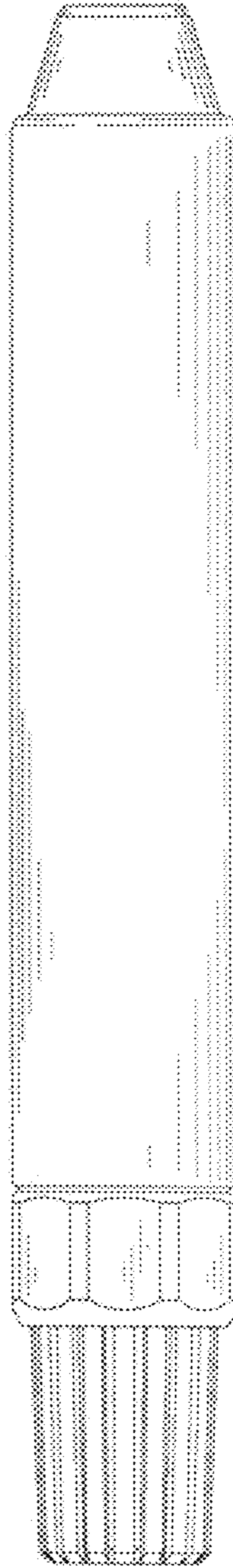


FIG. 3

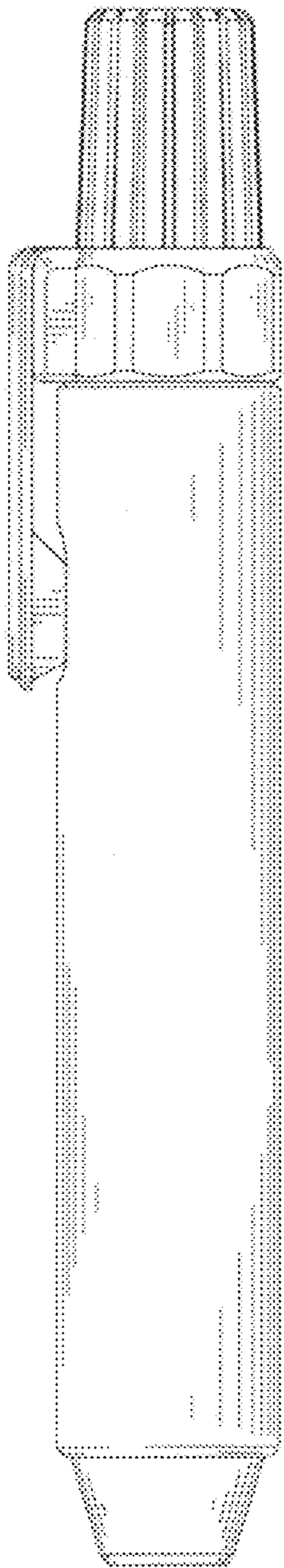


FIG. 4

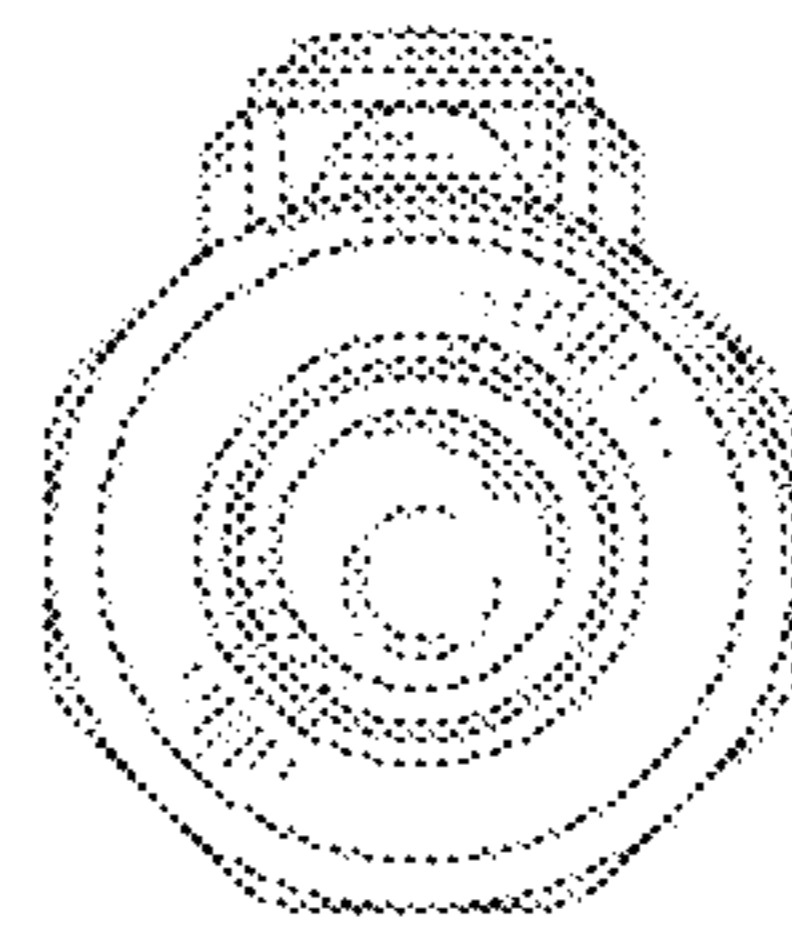


FIG. 5

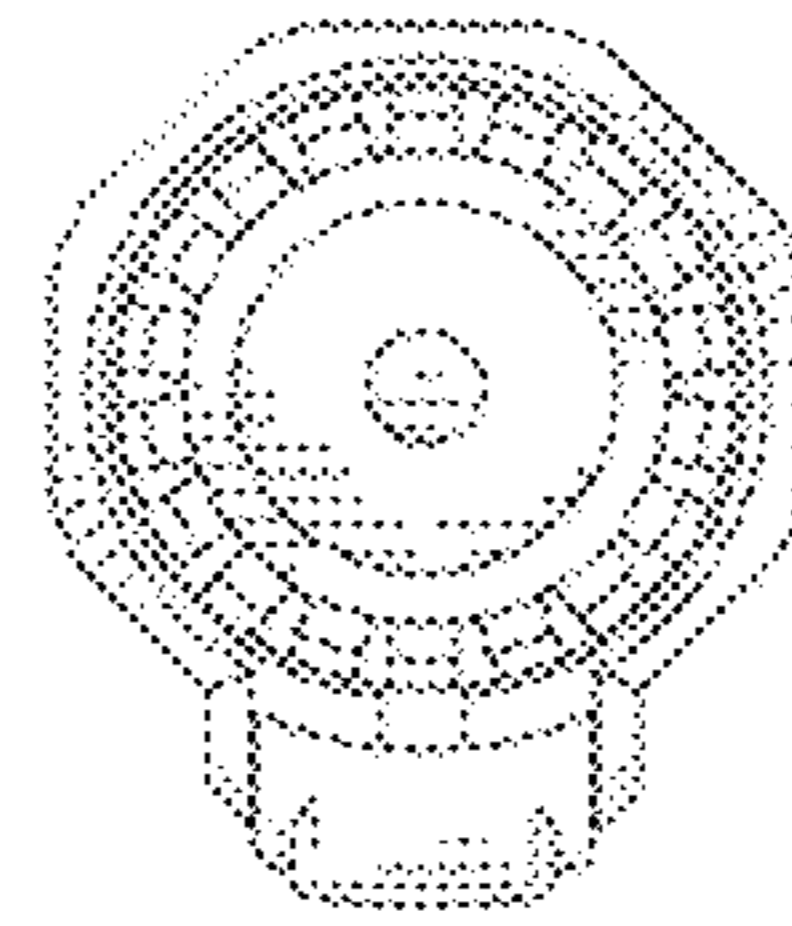


FIG. 6

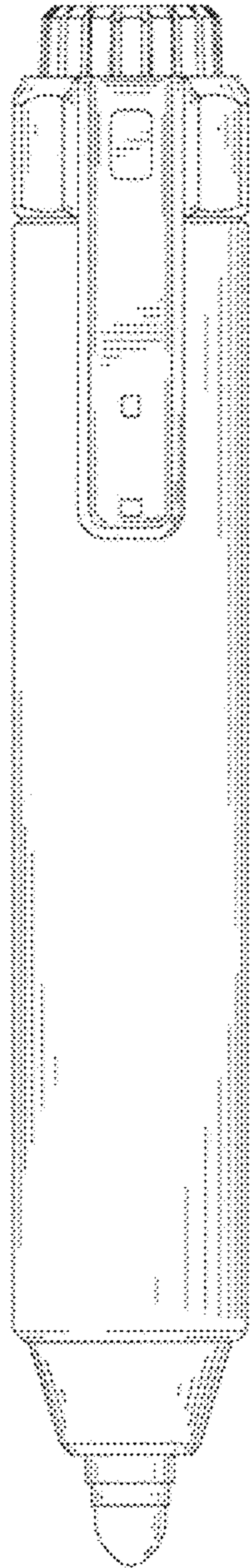


FIG. 7

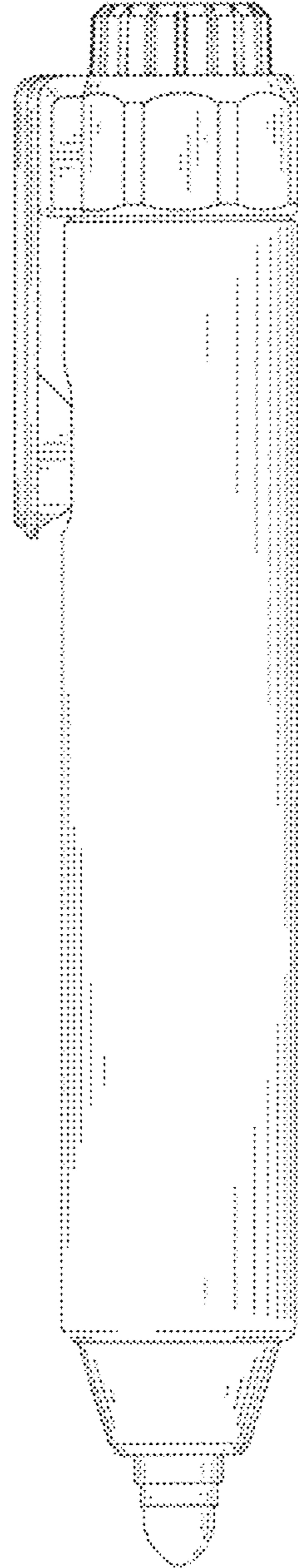


FIG. 8