



US00D686278S

(12) **United States Design Patent**
Ito

(10) **Patent No.:** **US D686,278 S**
(45) **Date of Patent:** **** Jul. 16, 2013**

(54) **INK CARTRIDGE**

(75) Inventor: **Noritsugu Ito**, Tokoname (JP)

(73) Assignee: **Brother Industries, Ltd.**, Nagoya (JP)

(**) Term: **14 Years**

(21) Appl. No.: **29/418,033**

(22) Filed: **Apr. 11, 2012**

(30) **Foreign Application Priority Data**

Oct. 14, 2011 (JP) 2011-23566

(51) **LOC (9) Cl.** **18-02**

(52) **U.S. Cl.**
USPC **D18/56**

(58) **Field of Classification Search**
USPC D18/56; 347/86-87
See application file for complete search history.

(56) **References Cited**

U.S. PATENT DOCUMENTS

D298,256 S *	10/1988	Shibata	D18/43
D391,293 S *	2/1998	Hino et al.	D18/56
D444,810 S *	7/2001	Itoh	D18/43
D460,480 S *	7/2002	Yamada et al.	D18/56
D511,791 S *	11/2005	Sheldon et al.	D18/56
D530,365 S *	10/2006	Wakayama et al.	D18/56

D543,236 S *	5/2007	Hattori	D18/56
D586,388 S *	2/2009	Pomfret	D18/56
D611,531 S *	3/2010	Hatasa et al.	D18/56
D621,871 S *	8/2010	Maeshima et al.	D18/43
D642,610 S *	8/2011	Gault et al.	D18/56

* cited by examiner

Primary Examiner — Cathy A MacCormac

(74) *Attorney, Agent, or Firm* — Oliff & Berridge, PLC

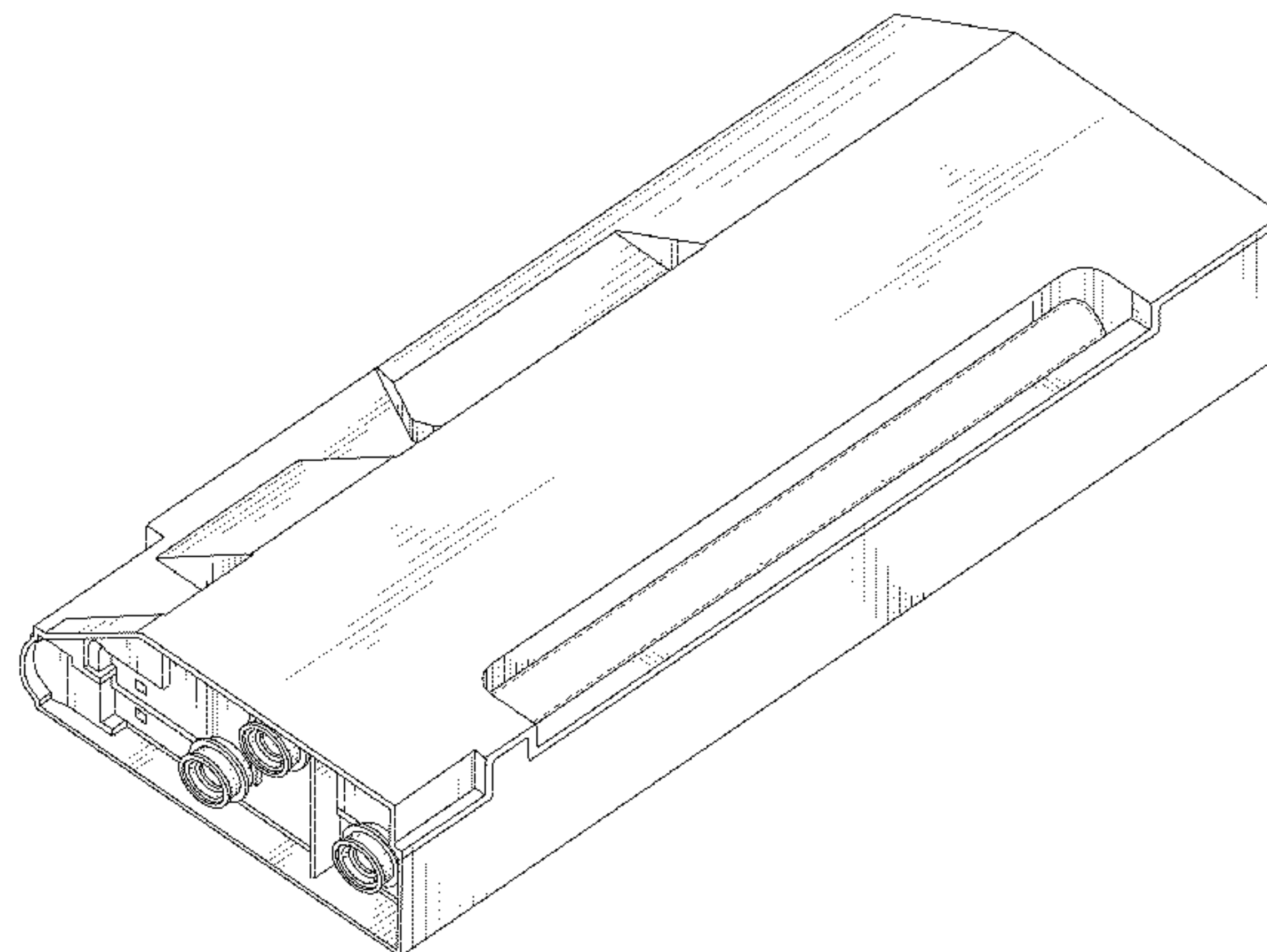
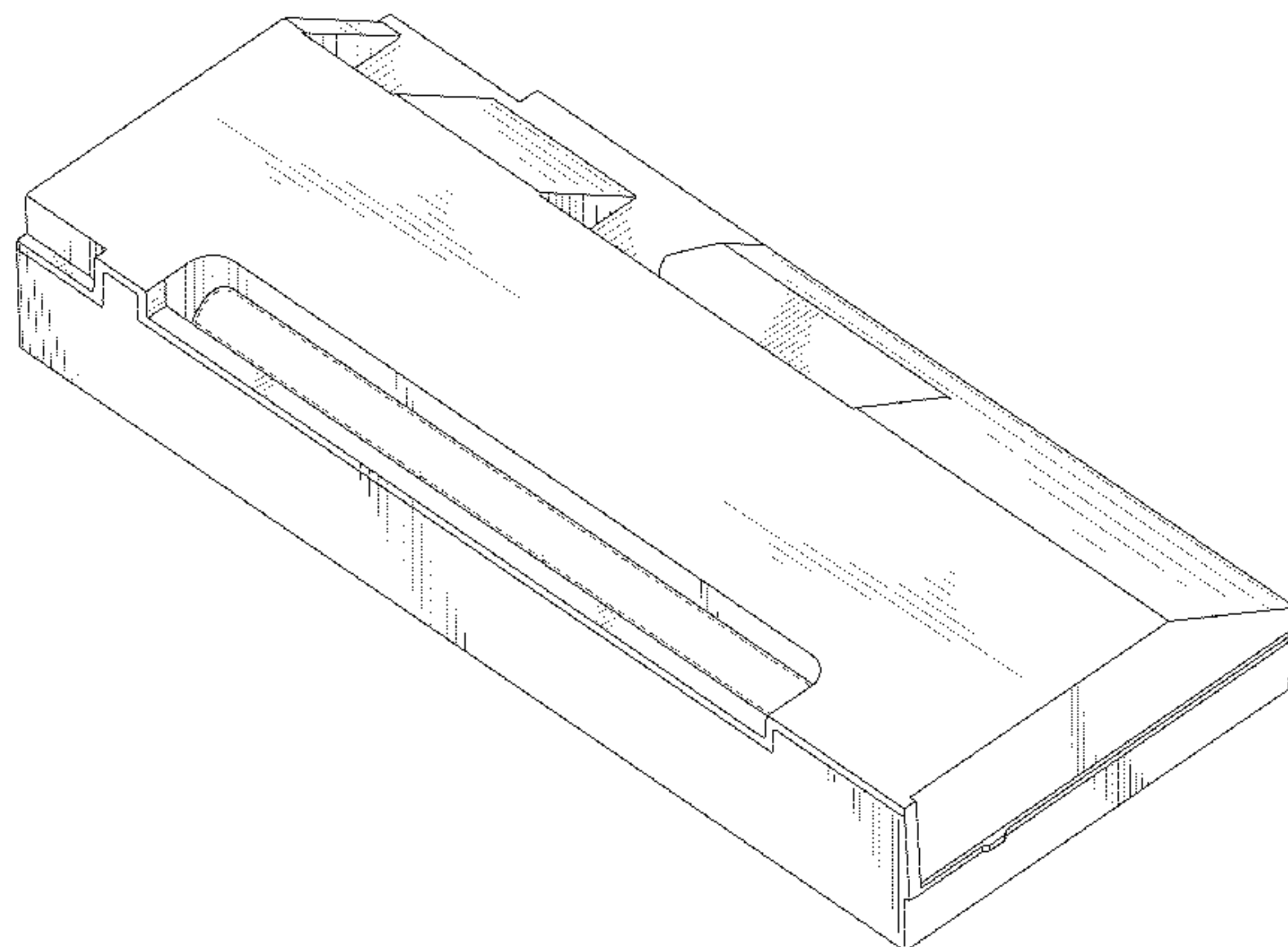
(57) **CLAIM**

The ornamental design for an ink cartridge, as shown and described.

DESCRIPTION

FIG. 1 is a top, front, right-side perspective view of an ink cartridge;
 FIG. 2 is a top, front, left-side perspective view thereof;
 FIG. 3 is a front view thereof;
 FIG. 4 is a top view thereof;
 FIG. 5 is a right-side view thereof;
 FIG. 6 is a left-side view thereof;
 FIG. 7 is a rear view thereof;
 FIG. 8 is a bottom view thereof; and,
 FIG. 9 is a top, rear, left-side perspective view thereof.
 The broken lines depict unclaimed portions only and form no part of the claimed design.

1 Claim, 8 Drawing Sheets



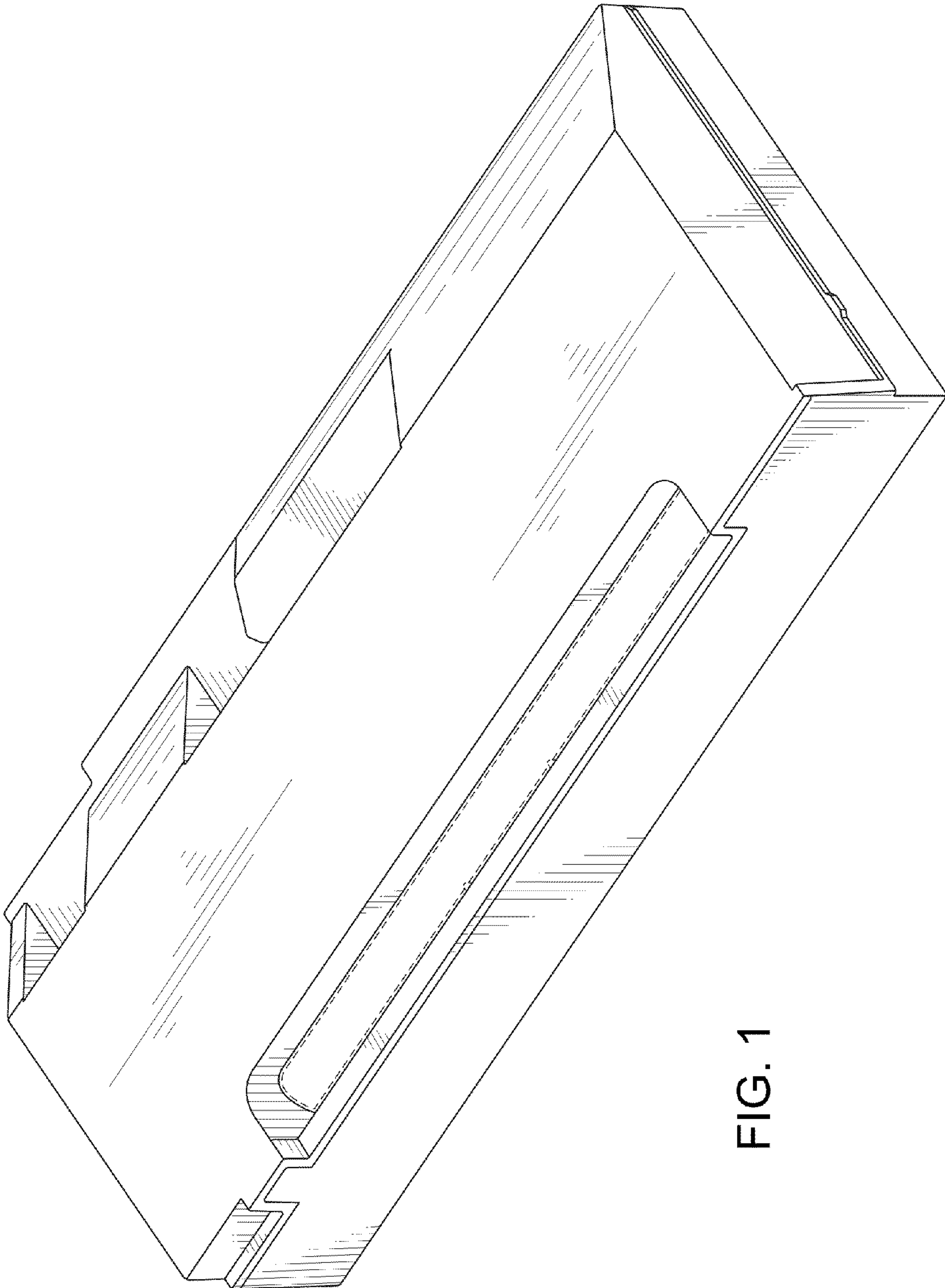


FIG. 1

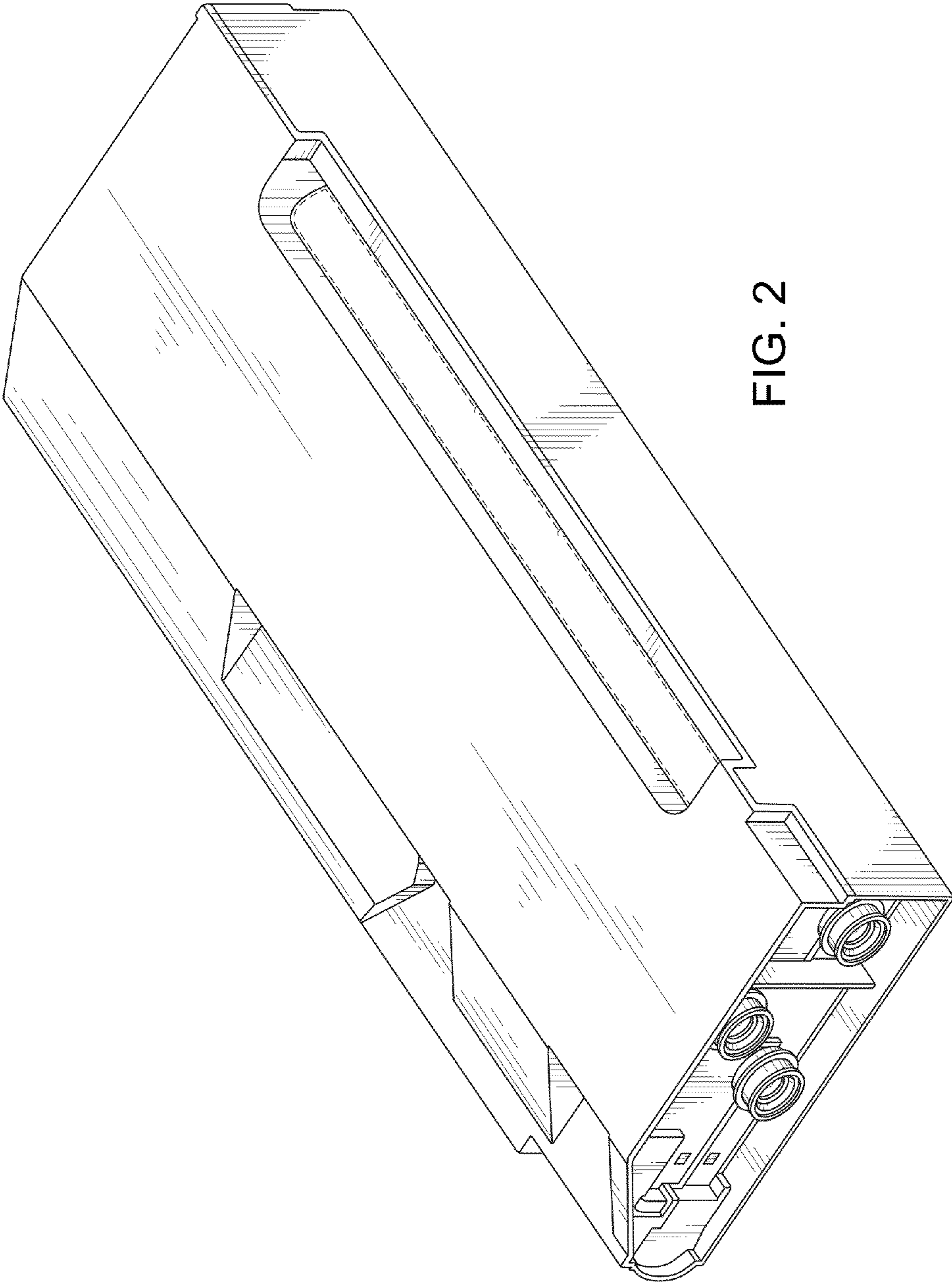


FIG. 2

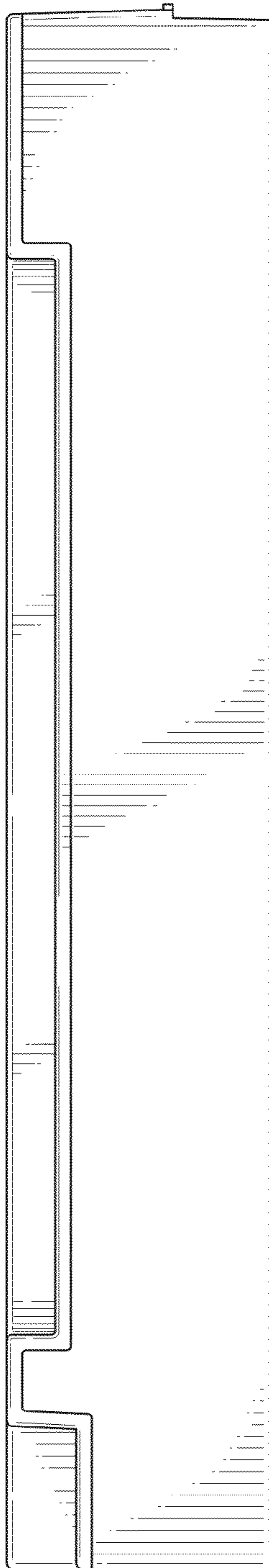


FIG. 3

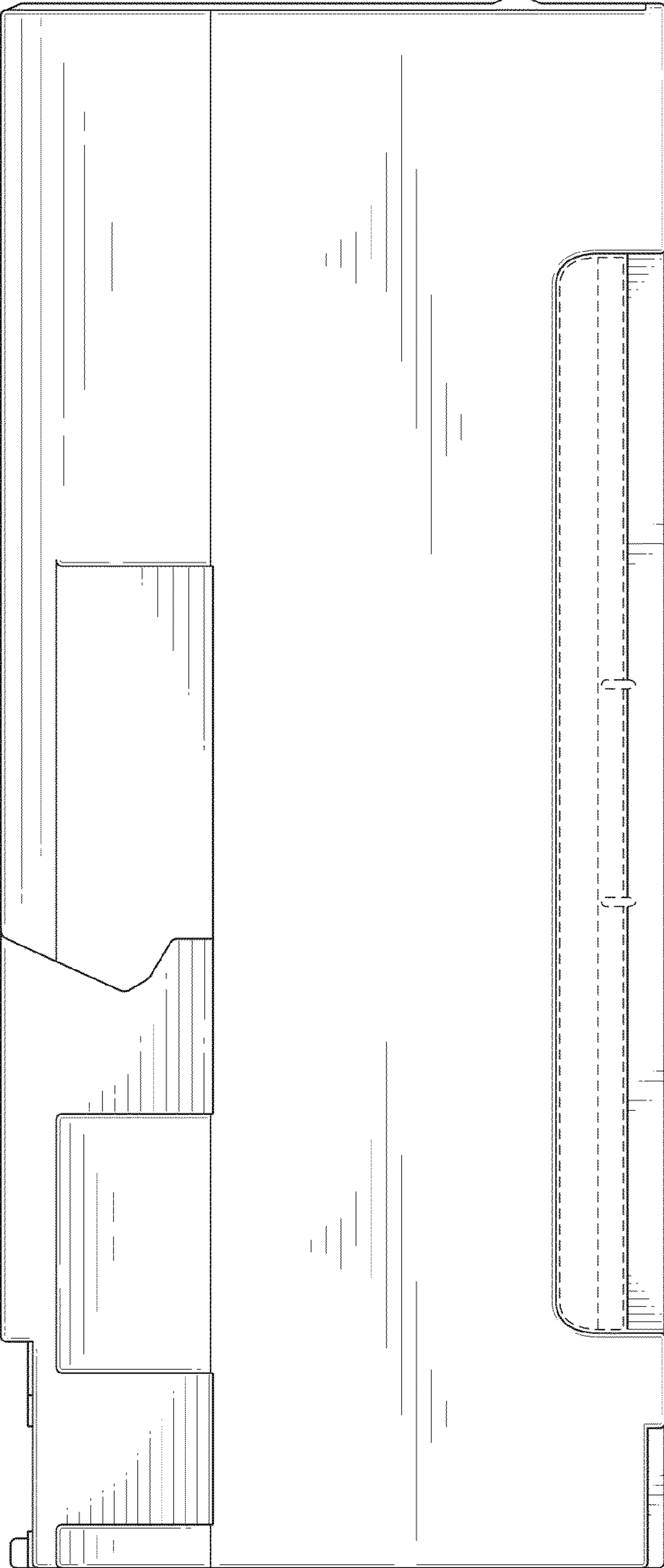


FIG. 4

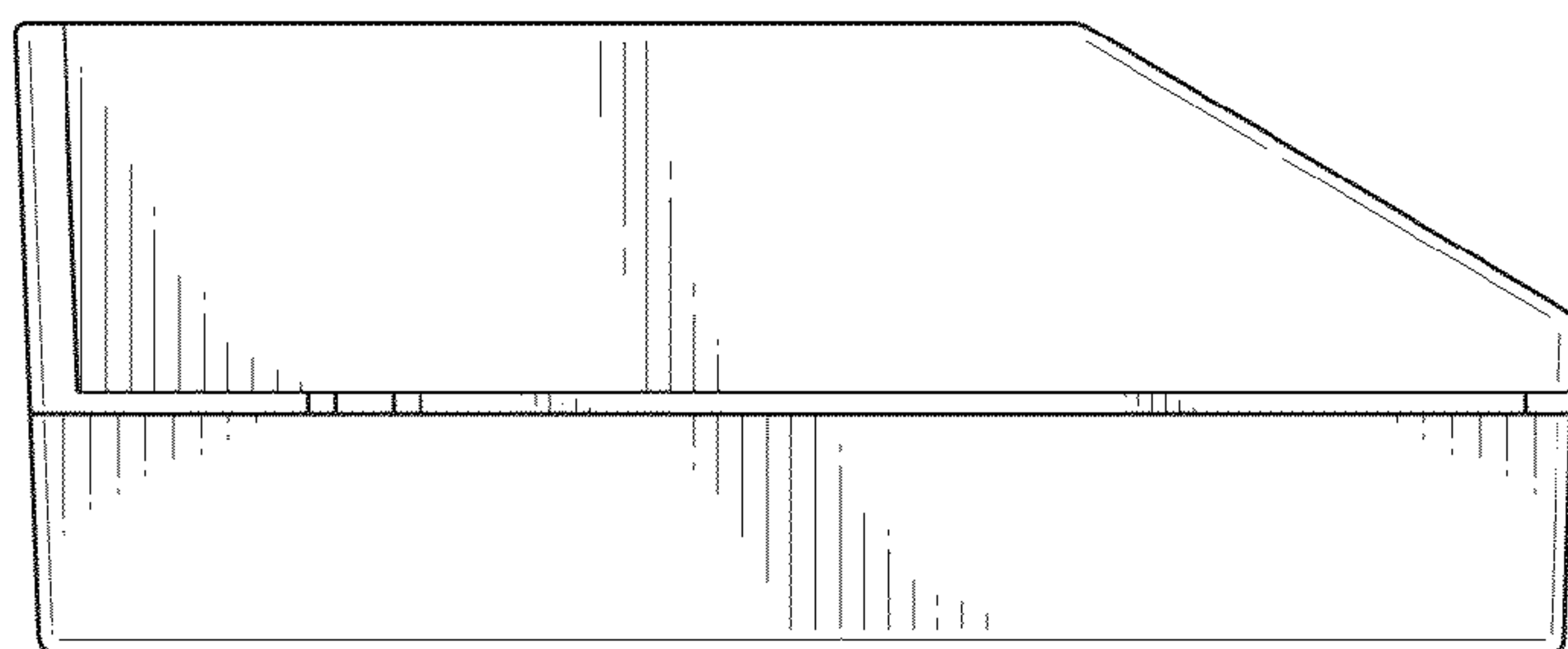


FIG. 5

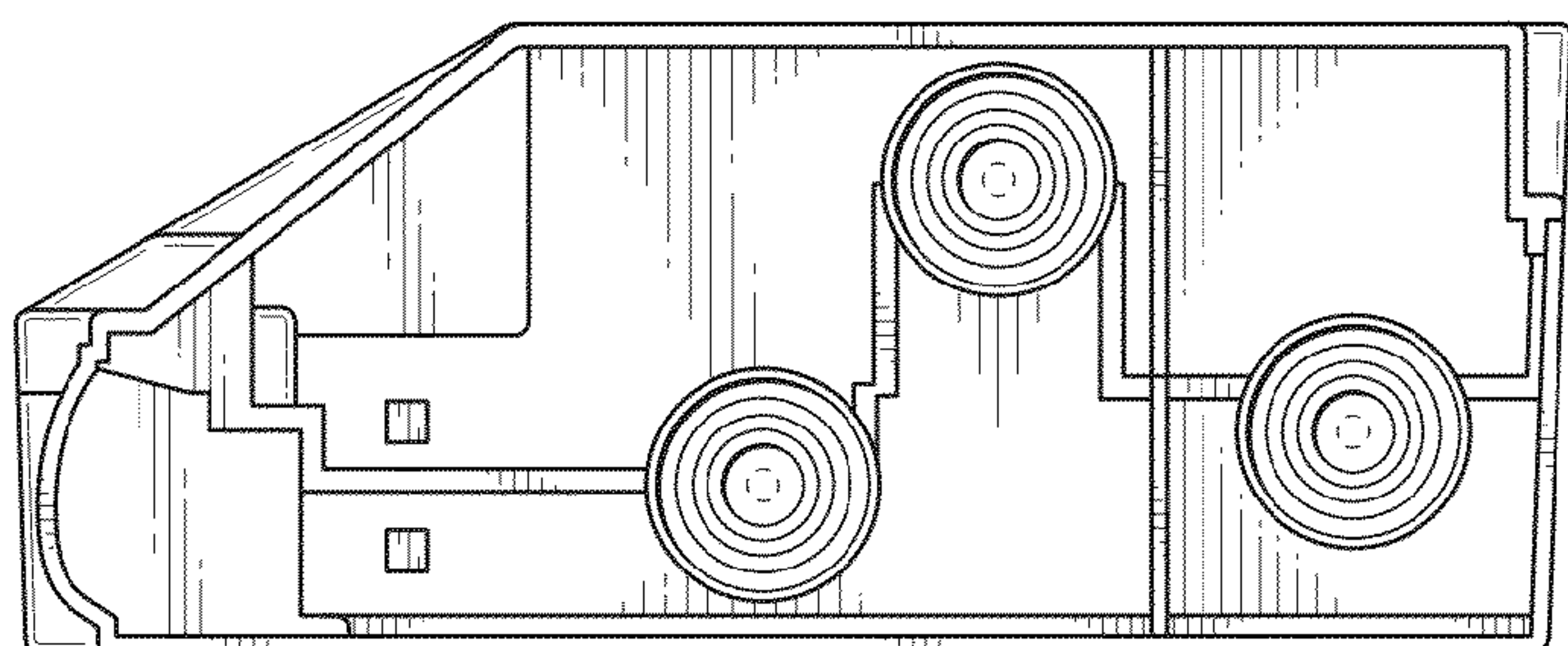


FIG. 6

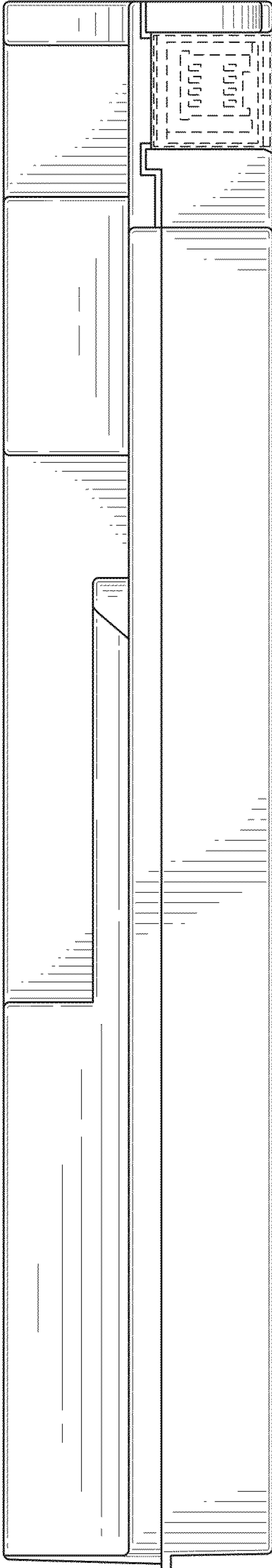


FIG. 7

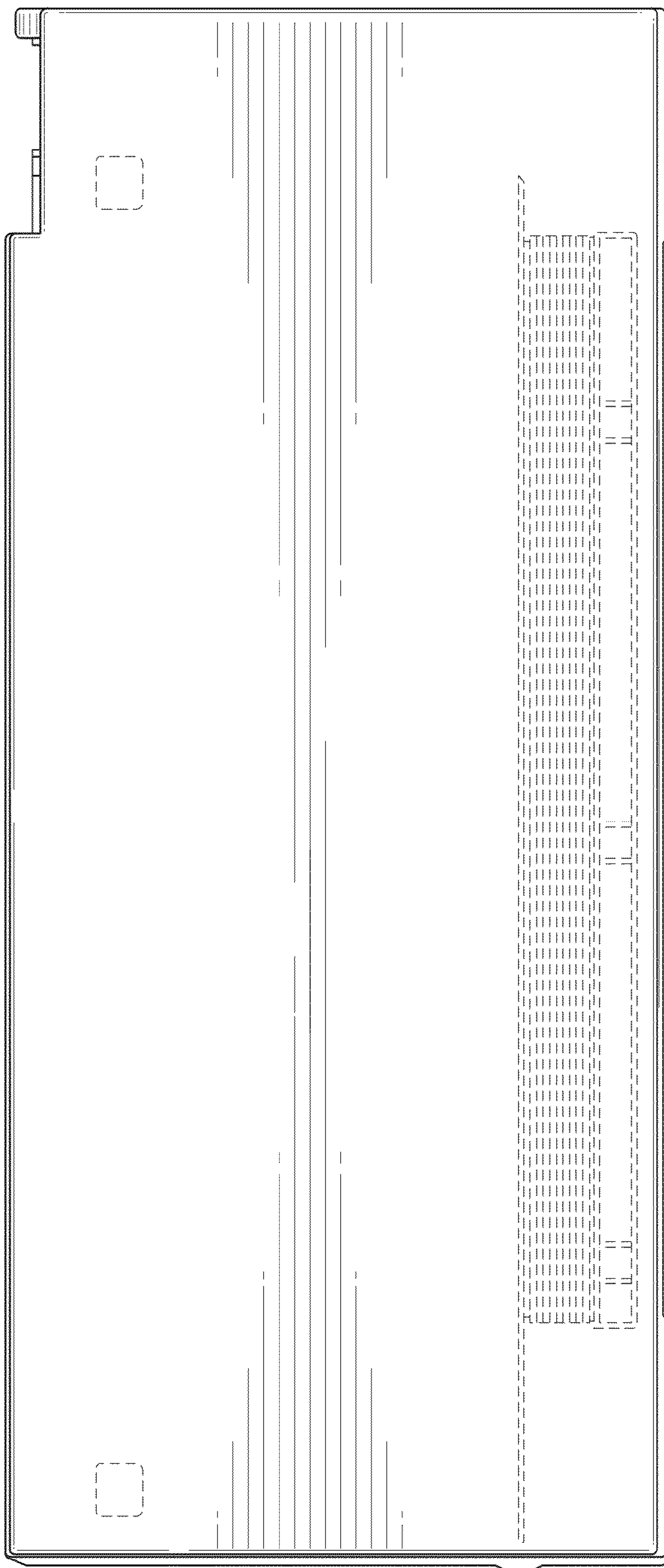


FIG. 8

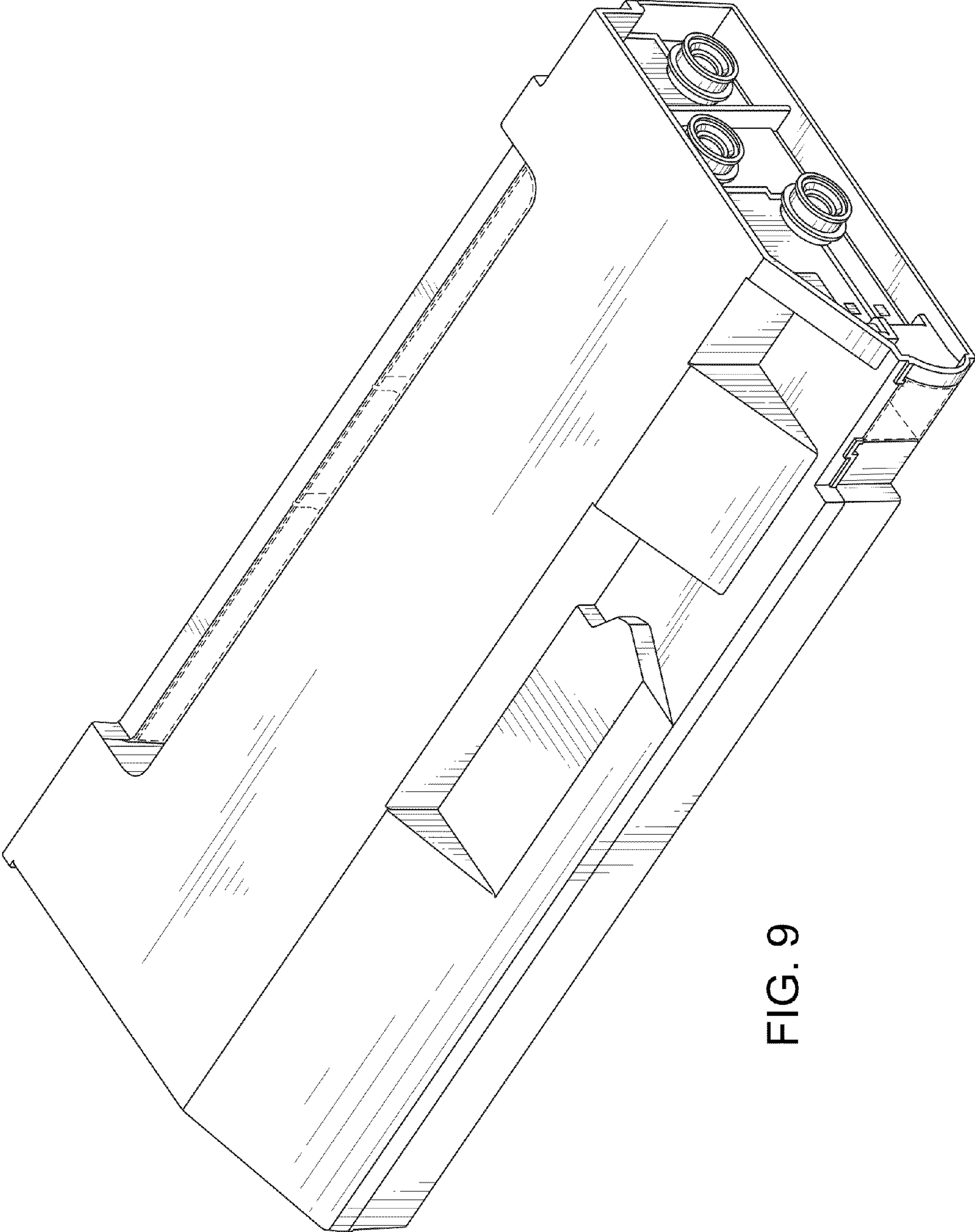


FIG. 9