



US00D686277S

(12) **United States Design Patent**
Gilbert et al.

(10) **Patent No.:** **US D686,277 S**
(45) **Date of Patent:** **** Jul. 16, 2013**

(54) **OFFICE PRINTER**

(75) Inventors: **John B. Gilbert**, Portland, OR (US);
Donald A. Brown, Honeoye Falls, NY
(US); **Brett Heidtke**, Tigard, OR (US);
Yuko Kamimoto, Kanagawa (JP)

(73) Assignee: **Xerox Corporation**, Norwalk, CT (US)

(**) Term: **14 Years**

(21) Appl. No.: **29/405,064**

(22) Filed: **Oct. 28, 2011**

(51) **LOC (9) Cl.** **14-02**

(52) **U.S. Cl.**
USPC **D18/55**

(58) **Field of Classification Search**

USPC D18/19, 36-38, 50, 52, 54, 54.1,
D18/55; D14/420-425, 462-470; 400/613,
400/613.1-613.4, 690.1-690.4, 691-694
See application file for complete search history.

(56) **References Cited**

U.S. PATENT DOCUMENTS

D430,596 S * 9/2000 Shiozaki et al. D18/54
D447,765 S * 9/2001 Hatanaka et al. D18/39
D493,817 S * 8/2004 Yoshida et al. D18/39
D502,210 S * 2/2005 Katori et al. D18/39
D521,544 S * 5/2006 Saito D18/39

D589,550 S * 3/2009 Clark, III D18/39
D619,639 S * 7/2010 Brown et al. D18/40
D628,619 S * 12/2010 Penke et al. D18/40
D642,212 S * 7/2011 Terenzio et al. D18/55
D650,834 S * 12/2011 Brown et al. D18/39
D665,012 S * 8/2012 Saito et al. D18/39
2004/0096237 A1* 5/2004 Asai 399/107

* cited by examiner

Primary Examiner — Cathy A MacCormac

(74) *Attorney, Agent, or Firm* — Tallam I. Nguti

(57) **CLAIM**

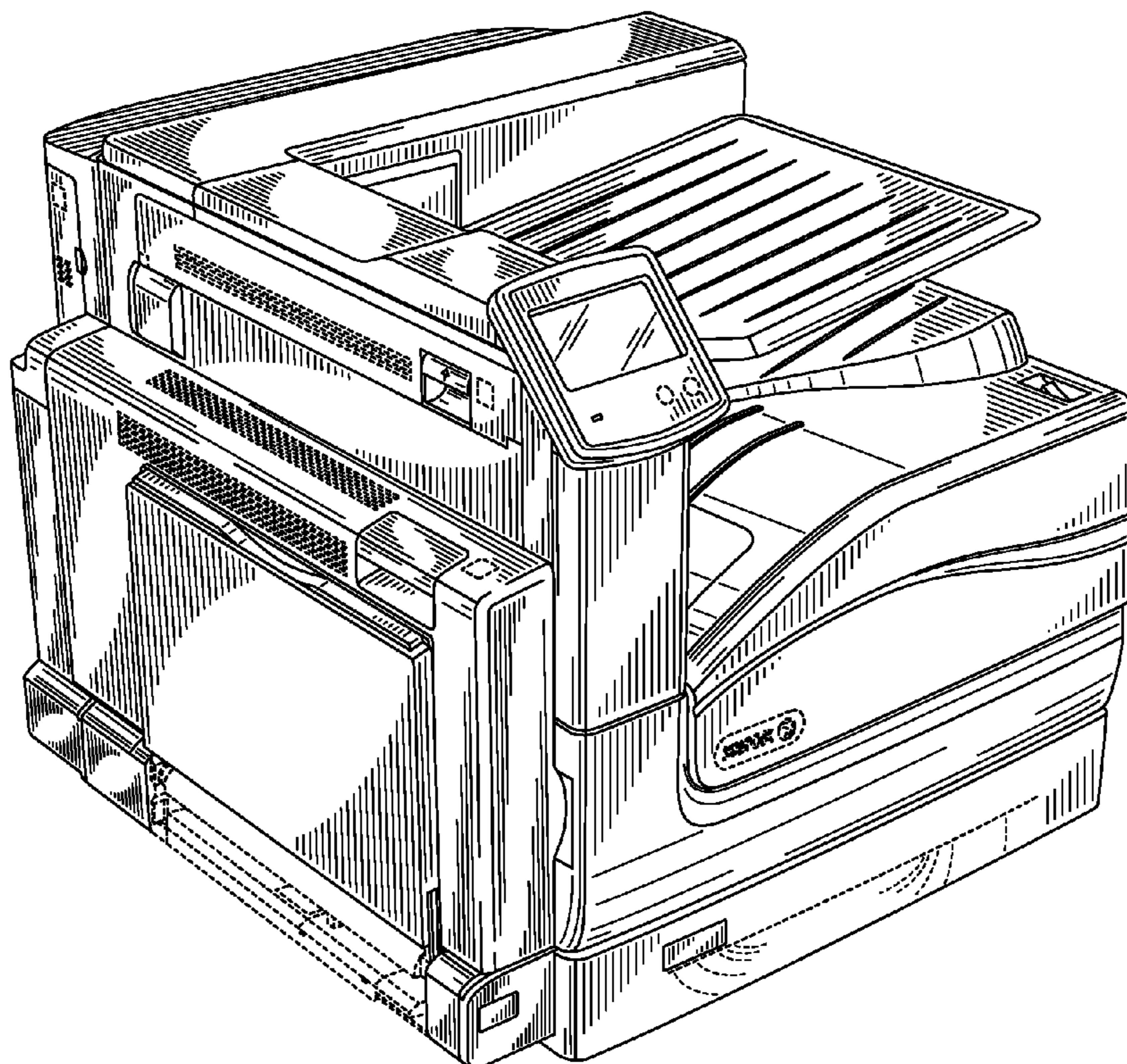
The ornamental design for an office printer, as shown and described.

DESCRIPTION

FIG. 1 is a perspective view of an office printer in accordance with the present invention;
FIG. 2 is a front view thereof;
FIG. 3 is a right side view thereof;
FIG. 4 is a rear view thereof;
FIG. 5 is a left side view thereof;
FIG. 6 is a top plan view thereof; and,
FIG. 7 is a bottom plan view thereof.

The features shown in broken lines in the drawing figures depict environmental subject matter only and form no part of the claimed design.

1 Claim, 7 Drawing Sheets



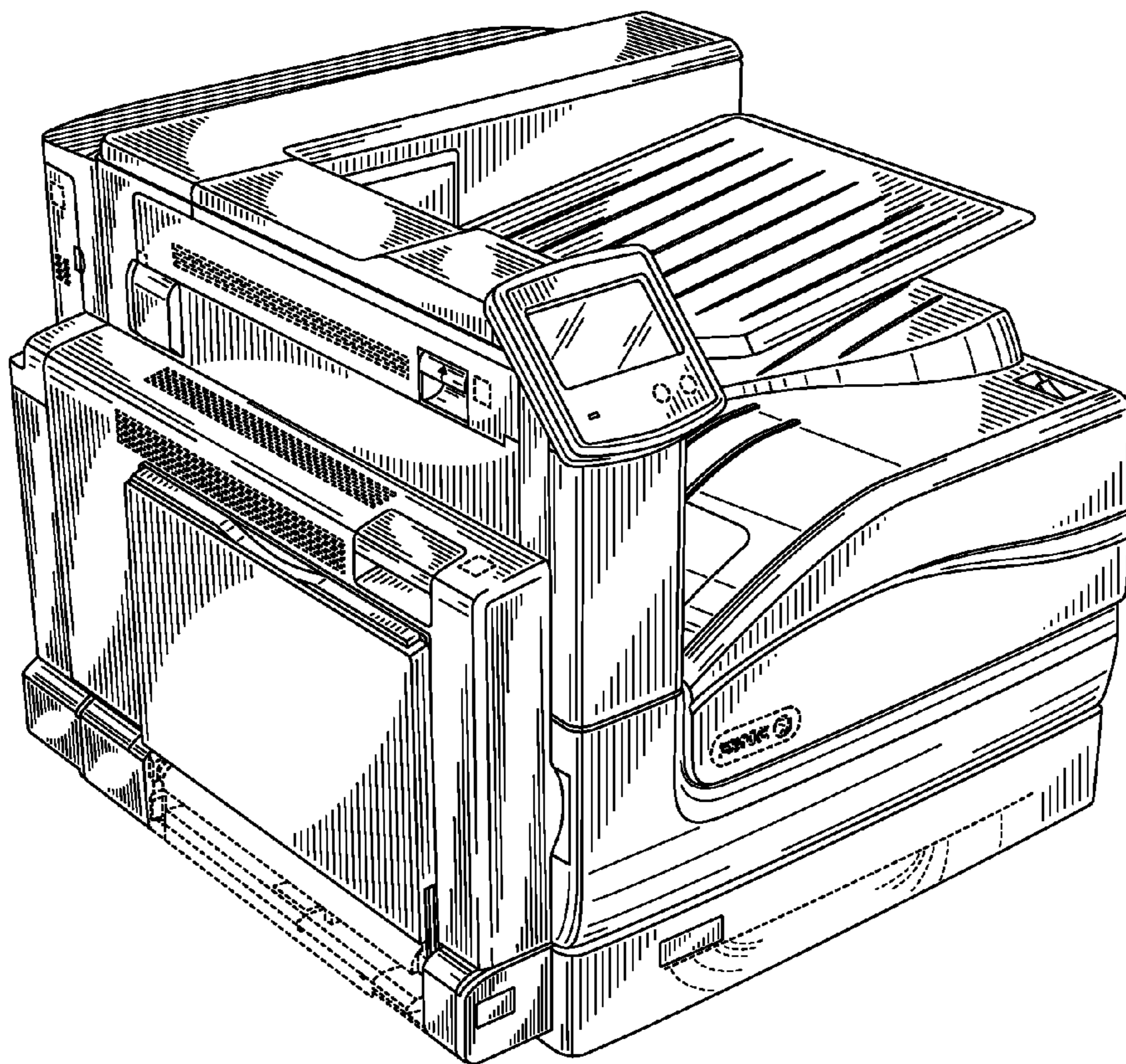


FIG. 1

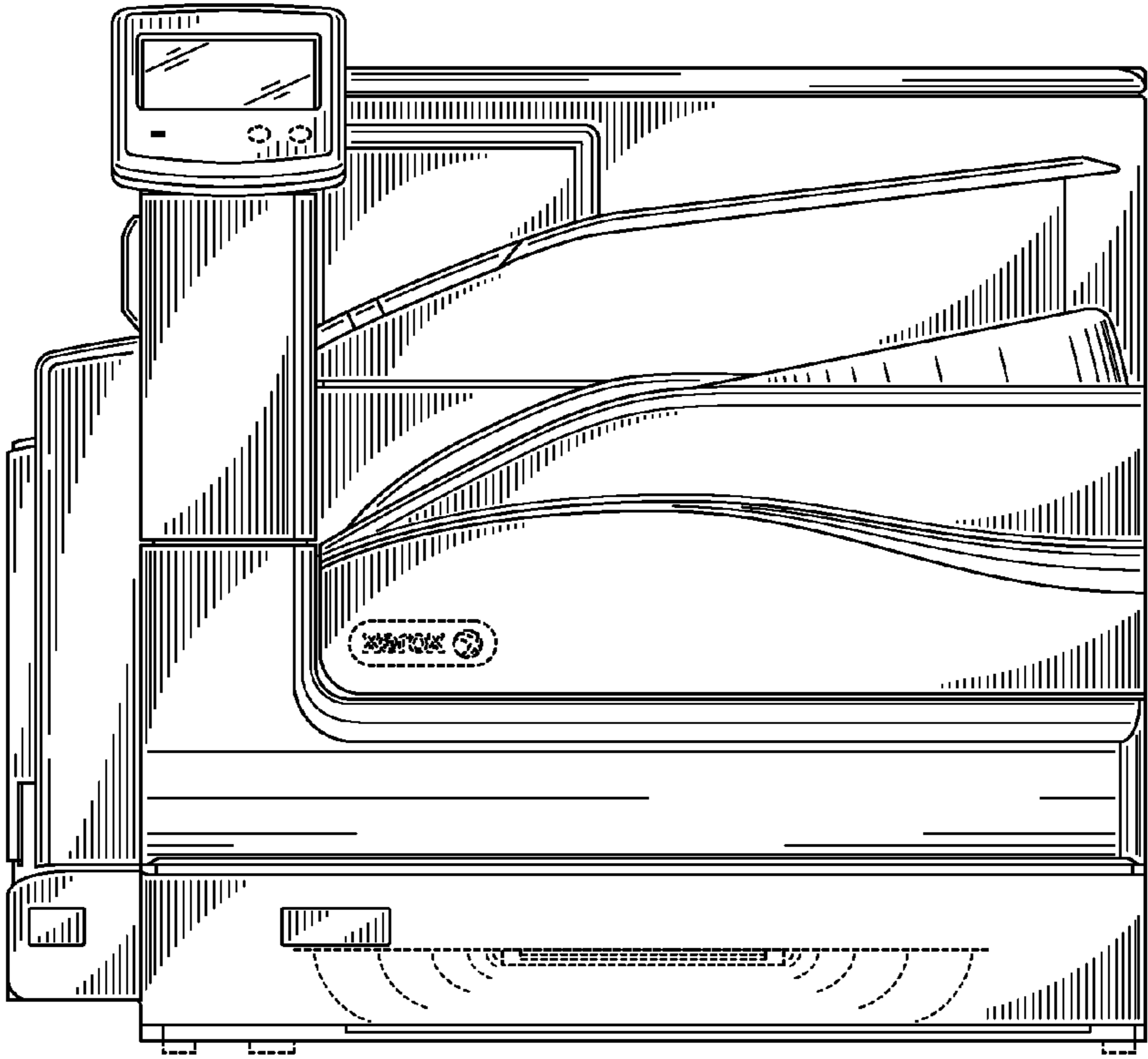


FIG. 2

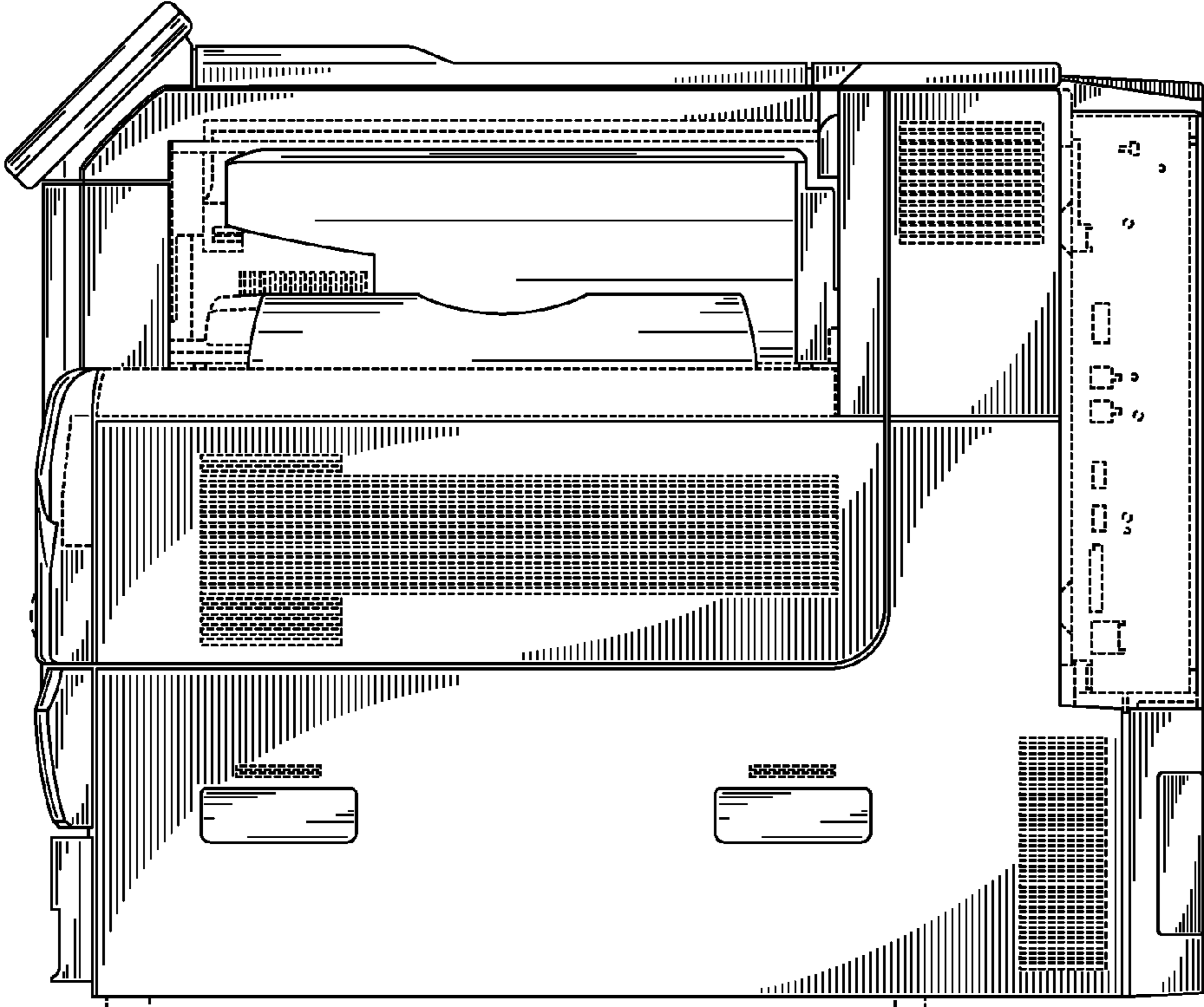


FIG. 3

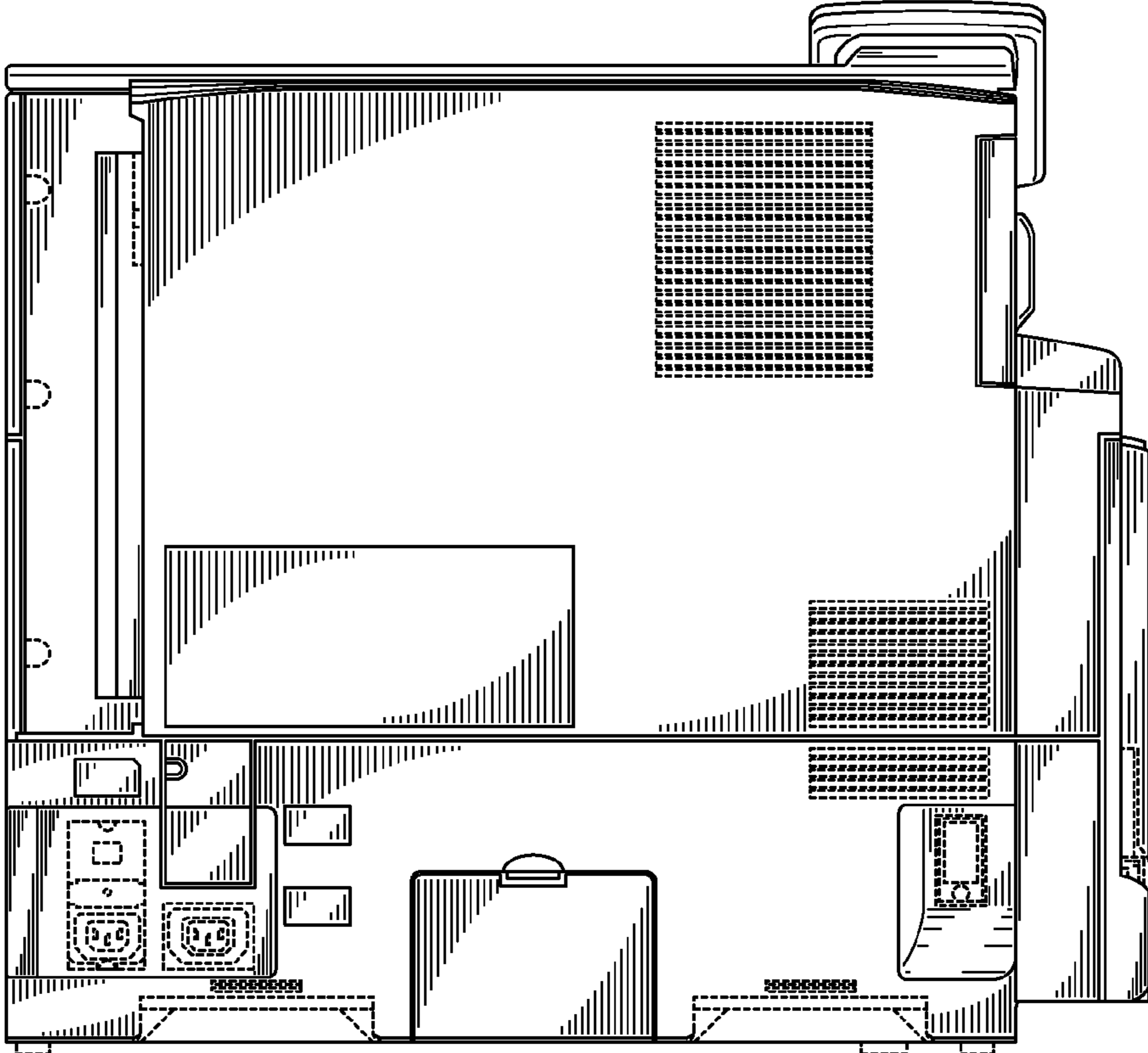


FIG. 4

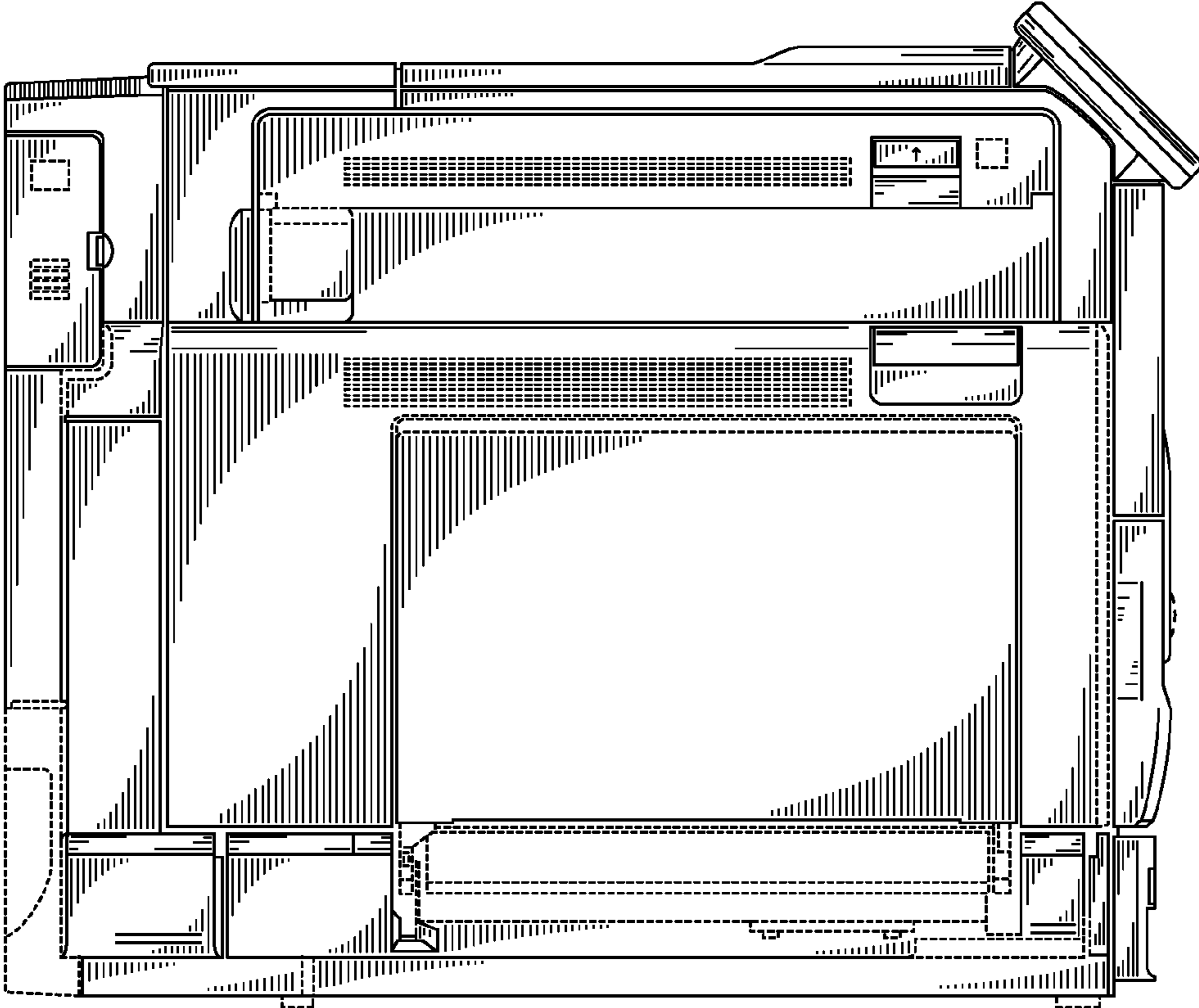


FIG. 5

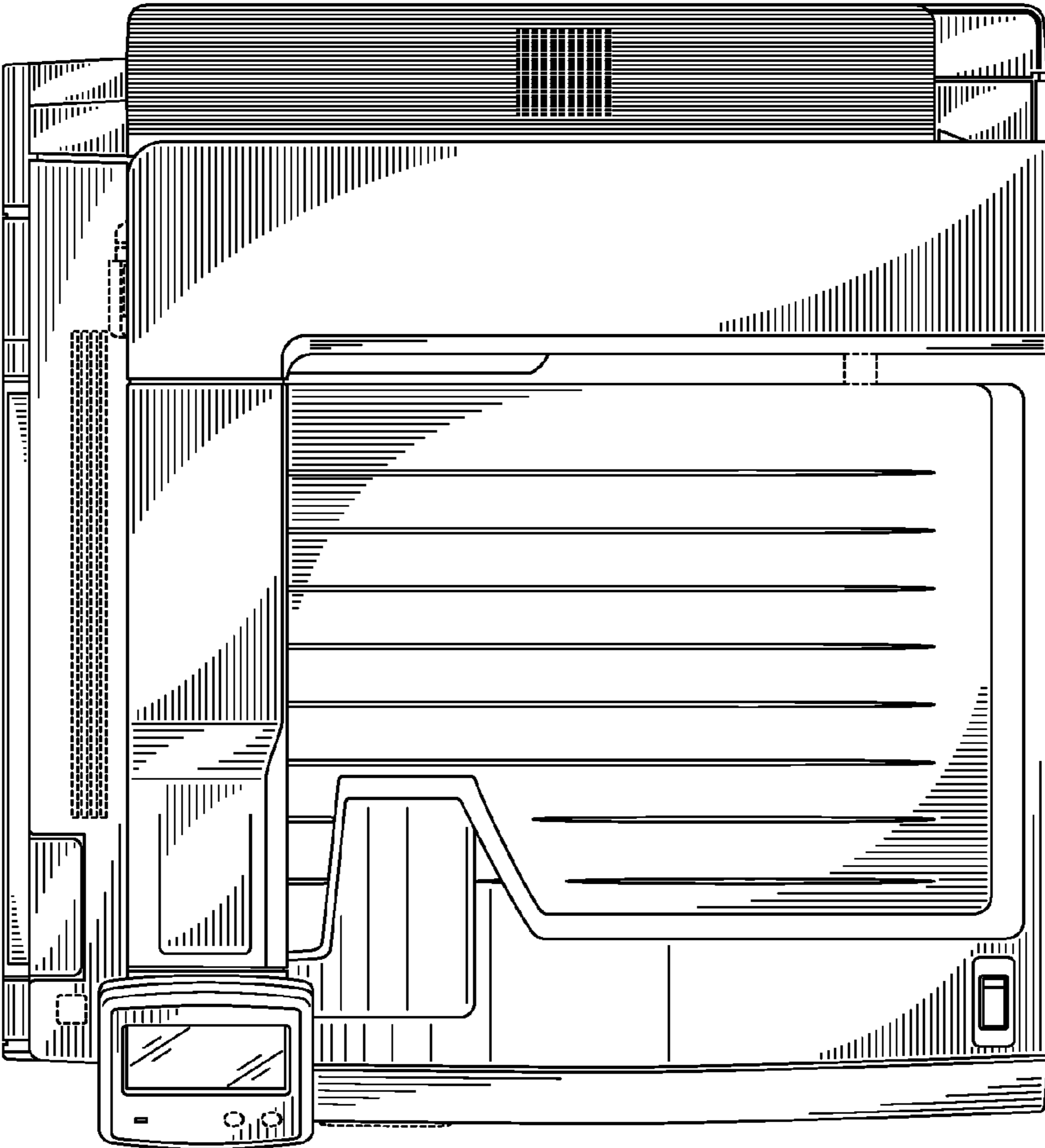


FIG. 6

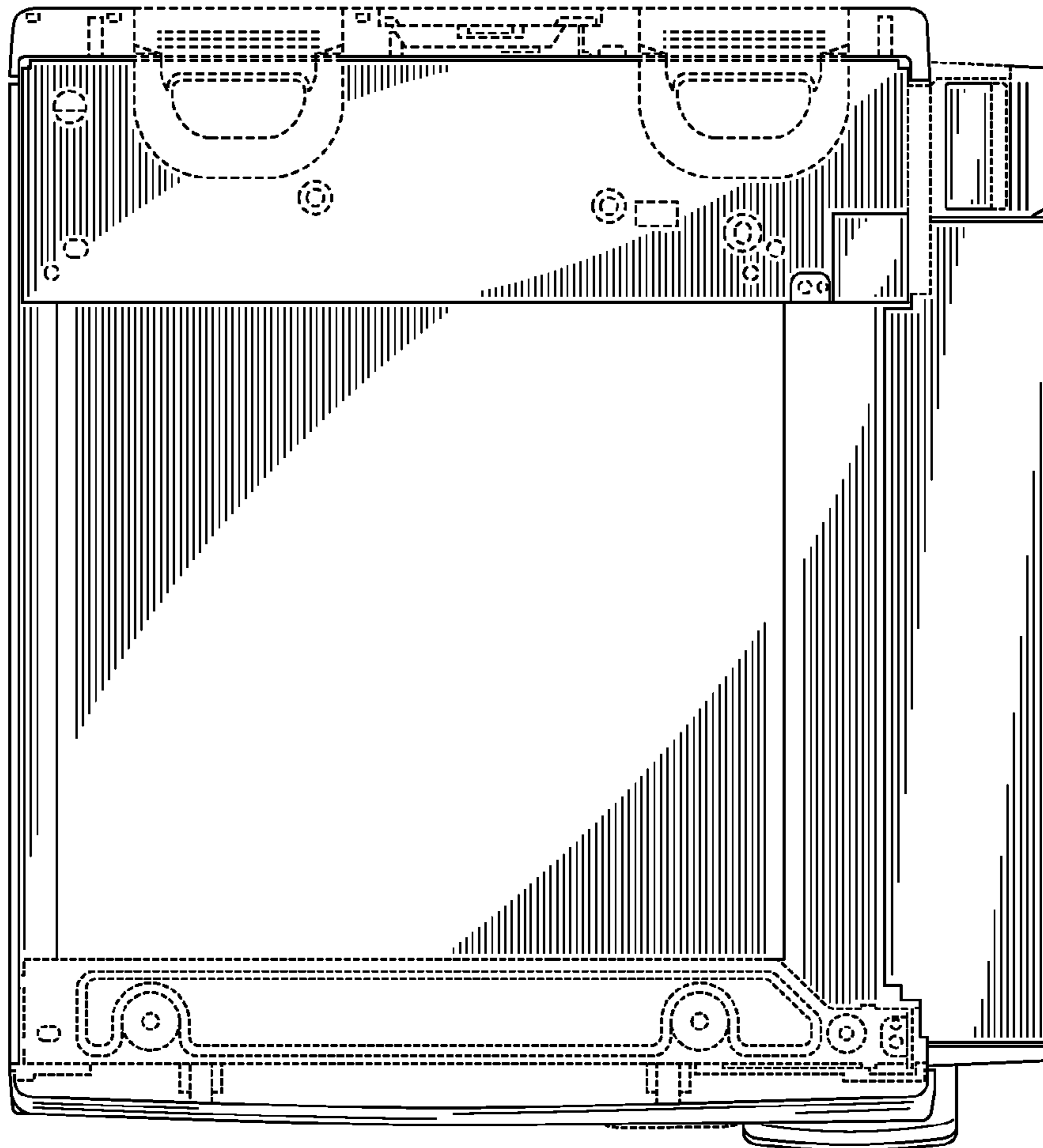


FIG. 7