



US00D686275S

(12) **United States Design Patent**  
**Nakazawa**

(10) **Patent No.:** **US D686,275 S**  
(45) **Date of Patent:** **\*\* Jul. 16, 2013**

(54) **PRINTER**

(75) Inventor: **Kenichirou Nakazawa**, Yamanashi-Ken (JP)

(73) Assignees: **Nisca Kabushiki Kaisha**,  
Minamikoma-Gun, Yamanashi-Ken (JP);  
**Toppan Printing Co., Ltd.**, Tokyo (JP)

(\*\*) Term: **14 Years**

(21) Appl. No.: **29/392,666**

(22) Filed: **May 25, 2011**

(30) **Foreign Application Priority Data**

Nov. 26, 2010 (JP) ..... 2010-028269

(51) **LOC (9) Cl.** ..... **14-02**

(52) **U.S. Cl.**  
USPC ..... **D18/50**

(58) **Field of Classification Search**  
USPC ..... D18/14, 19, 36-37, 50, 54, 54.1,  
D18/55; D14/452-425, 463-470; 400/613,  
400/613.1-613.4, 690, 690.1-690.4, 691-694  
See application file for complete search history.

(56) **References Cited**

**U.S. PATENT DOCUMENTS**

D325,927 S \* 5/1992 Fushiya ..... D18/54  
D432,160 S \* 10/2000 Kabumoto et al. .... D18/37  
D454,879 S \* 3/2002 Lin et al. .... D14/420  
D464,969 S \* 10/2002 Byun et al. .... D14/420

D470,884 S \* 2/2003 Gotham et al. .... D18/55  
D528,151 S \* 9/2006 Hattori ..... D18/50  
D552,166 S \* 10/2007 Ohashi ..... D18/50  
D559,900 S \* 1/2008 Kimura et al. .... D18/50  
D578,535 S \* 10/2008 Schmitz ..... D14/421  
D579,487 S \* 10/2008 Yamada ..... D18/50  
D607,507 S \* 1/2010 Kimura et al. .... D18/55  
D622,760 S \* 8/2010 Kimura et al. .... D18/50  
D636,018 S \* 4/2011 Kimura et al. .... D18/50  
D641,393 S \* 7/2011 Kim et al. .... D18/14  
D641,394 S \* 7/2011 Inada ..... D18/50

\* cited by examiner

*Primary Examiner* — Cathy A MacCormac

(74) *Attorney, Agent, or Firm* — Day Pitney LLP

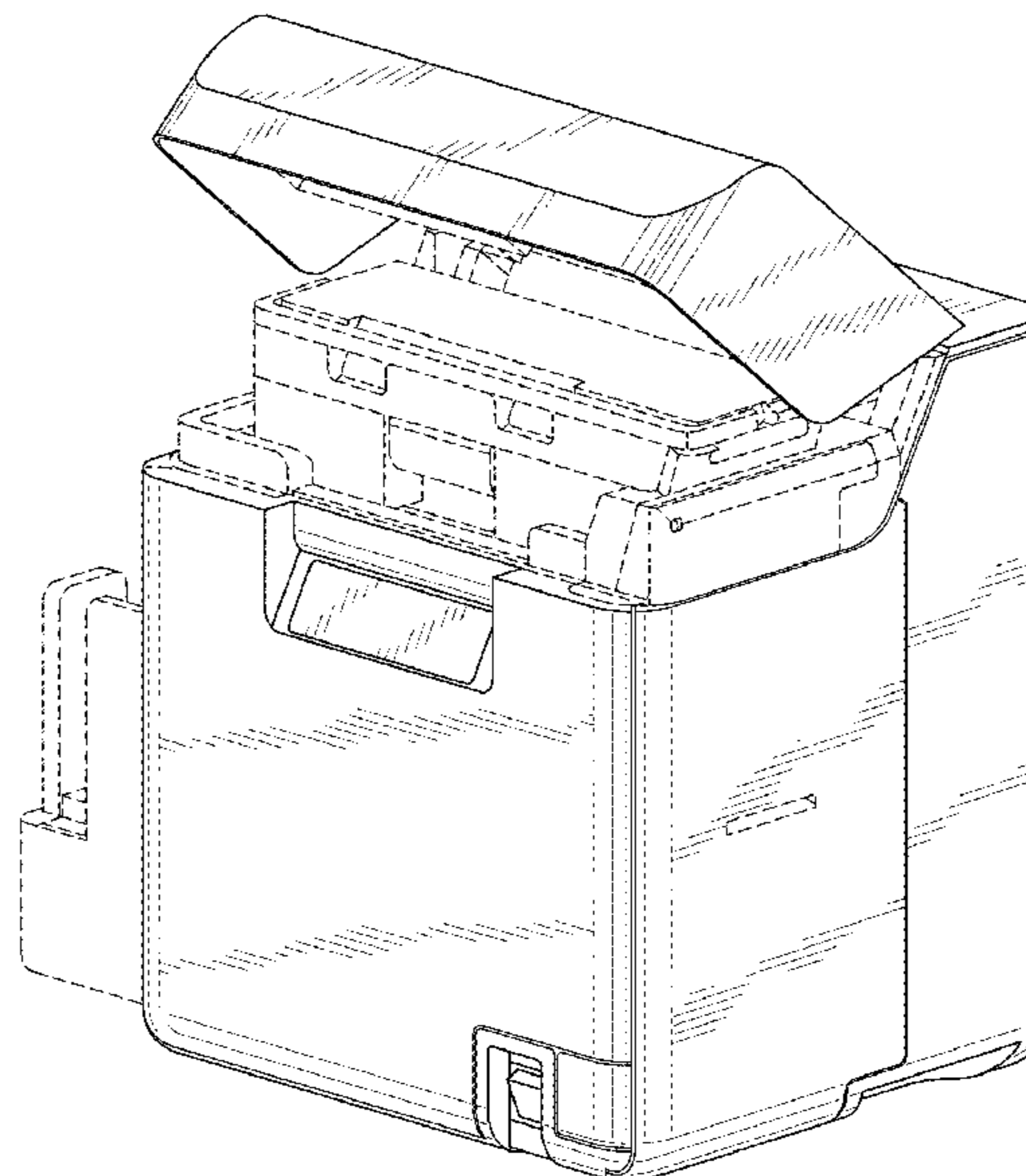
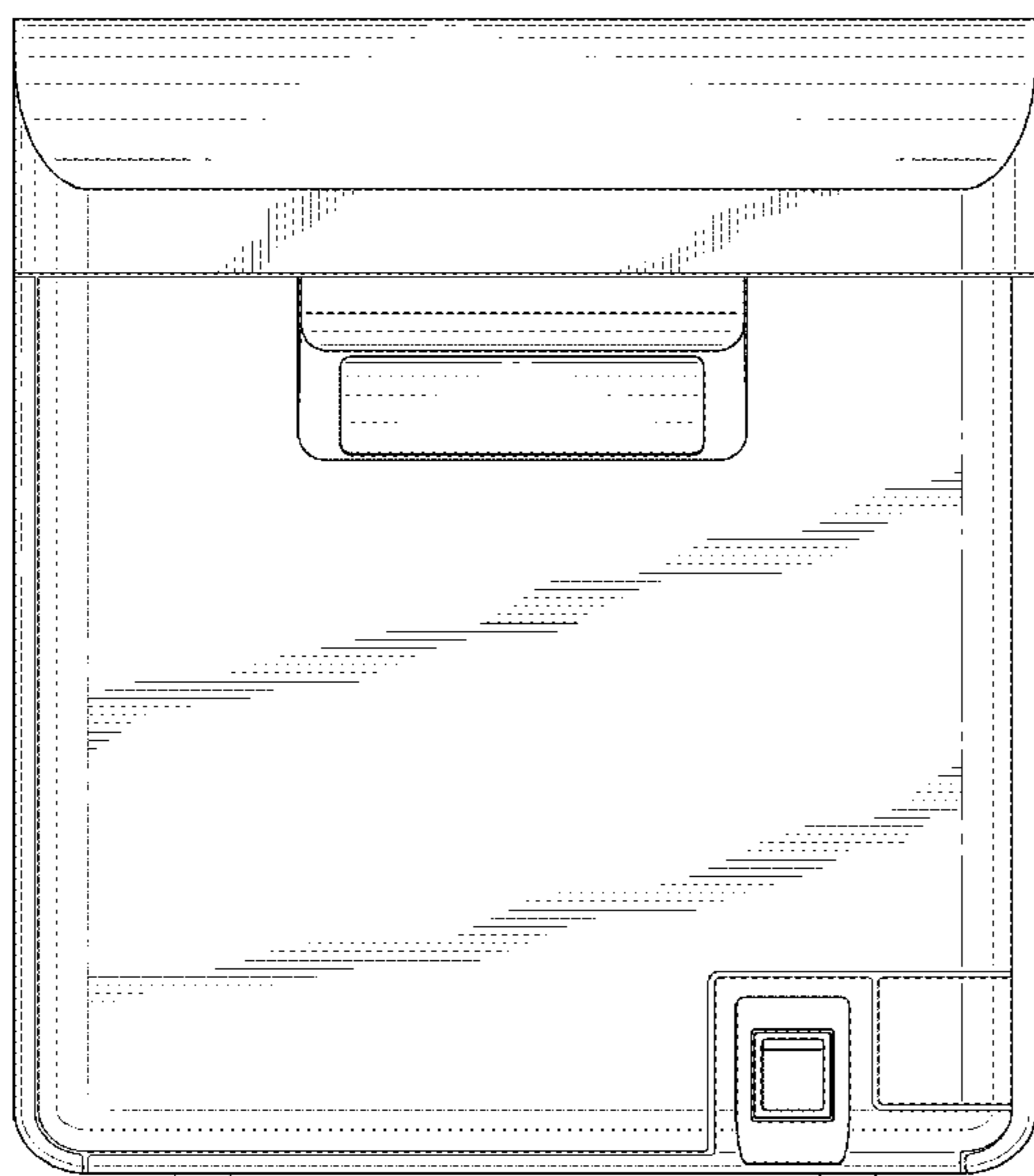
(57) **CLAIM**

The ornamental design for a printer, as shown and described.

**DESCRIPTION**

FIG. 1 is a front view of my ornamental design for a printer;  
FIG. 2 is a rear view thereof;  
FIG. 3 is a top plan view thereof;  
FIG. 4 is a bottom plan view thereof;  
FIG. 5 is a left side view thereof;  
FIG. 6 is a right side view thereof;  
FIG. 7 is a top front perspective view thereof;  
FIG. 8 is a view similar to FIG. 7 with an attachment in place for use; and,  
FIG. 9 is a view similar to FIG. 8 with the top cover of my printer open.  
The broken lines in each of the figures are for environmental purposes only and form no part of the claimed design.

**1 Claim, 9 Drawing Sheets**



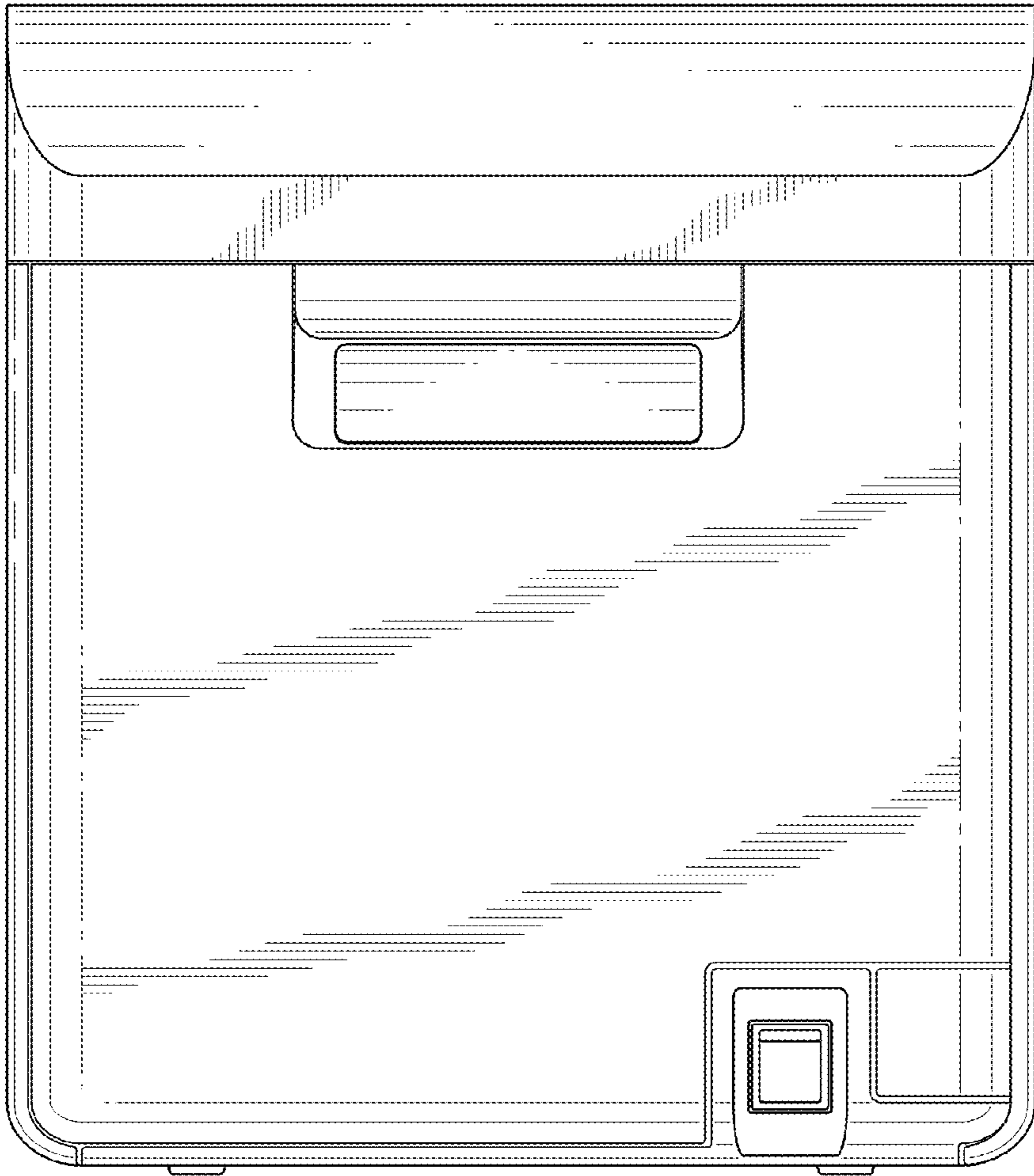


FIG. 1

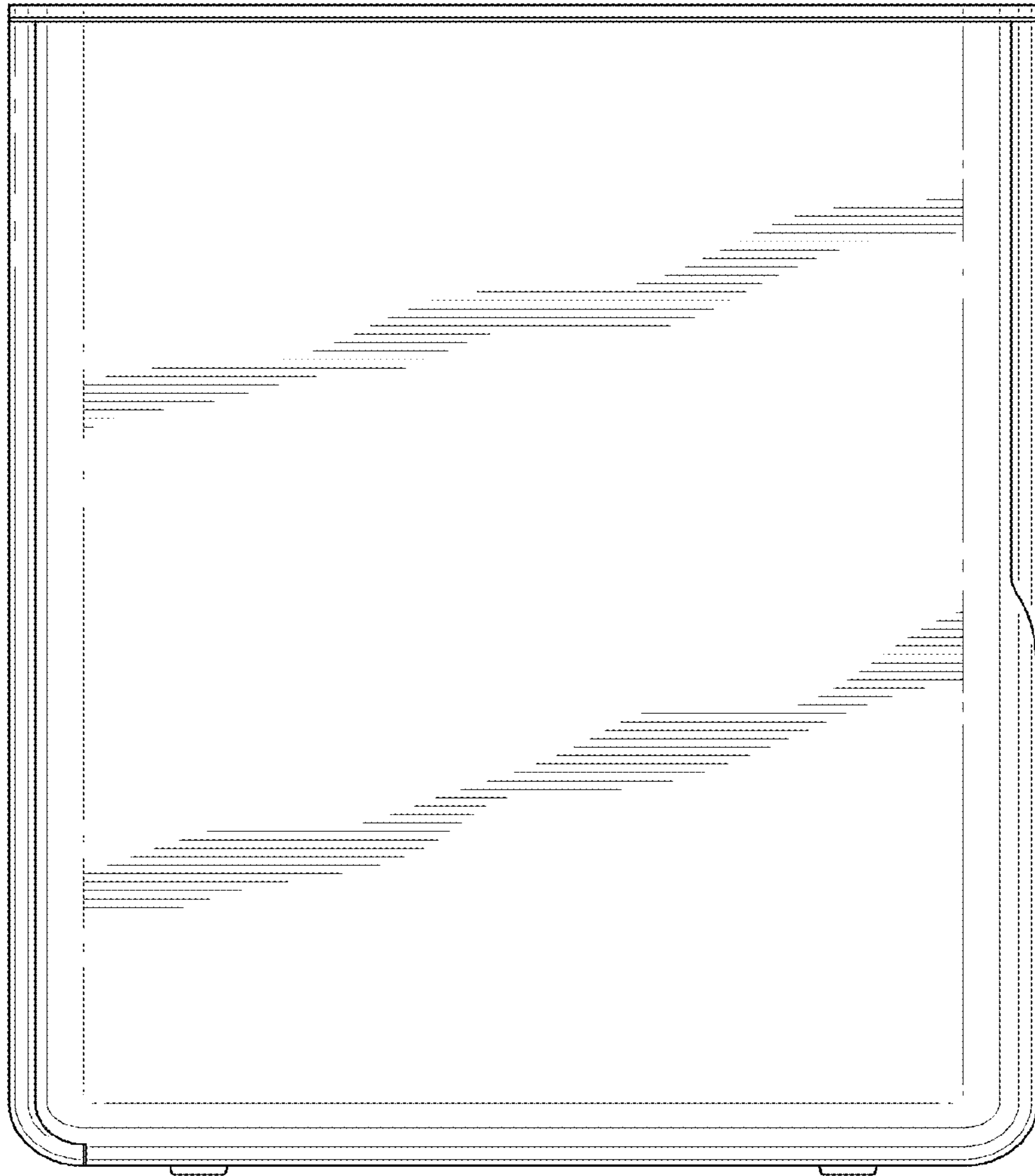


FIG. 2

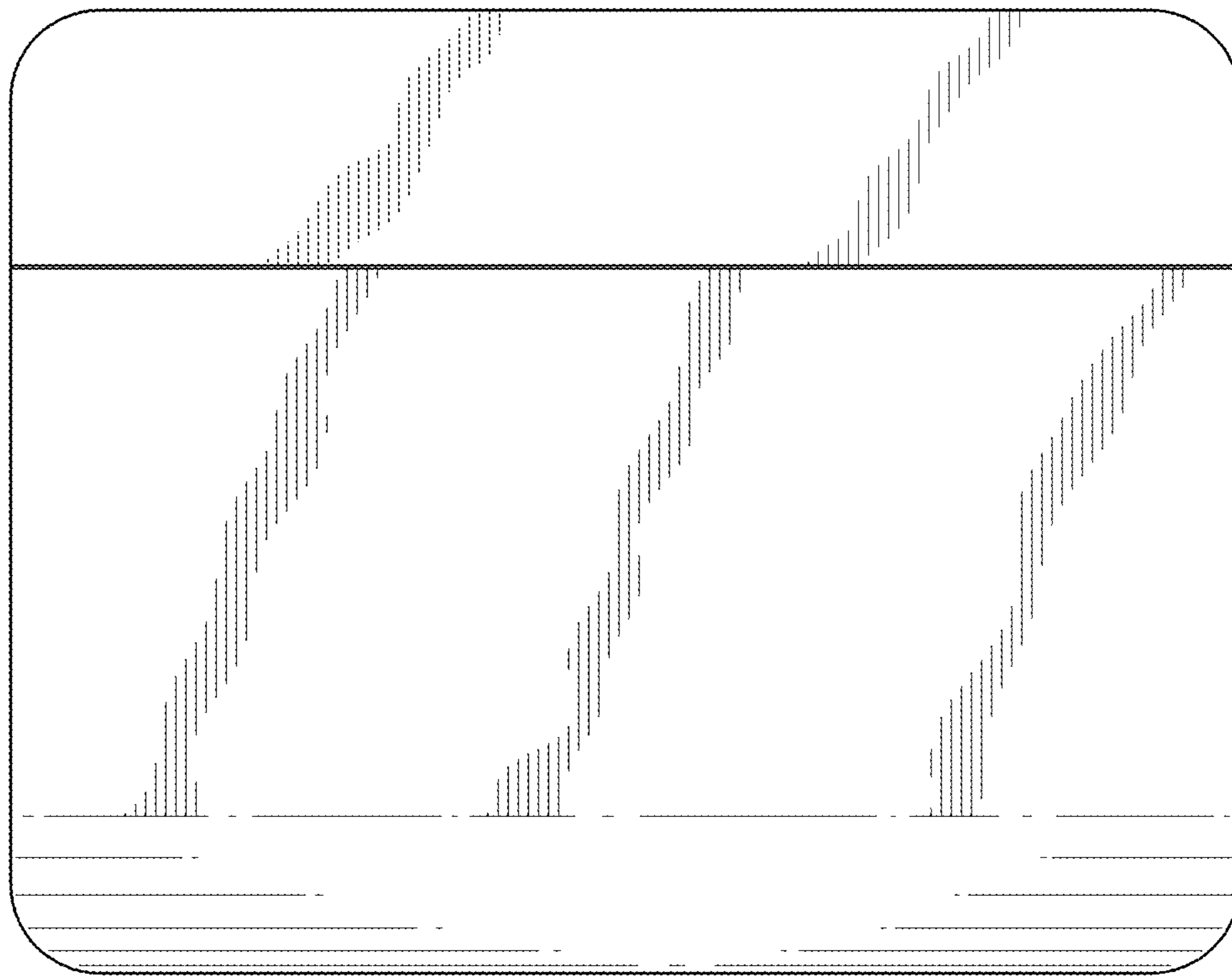


FIG. 3

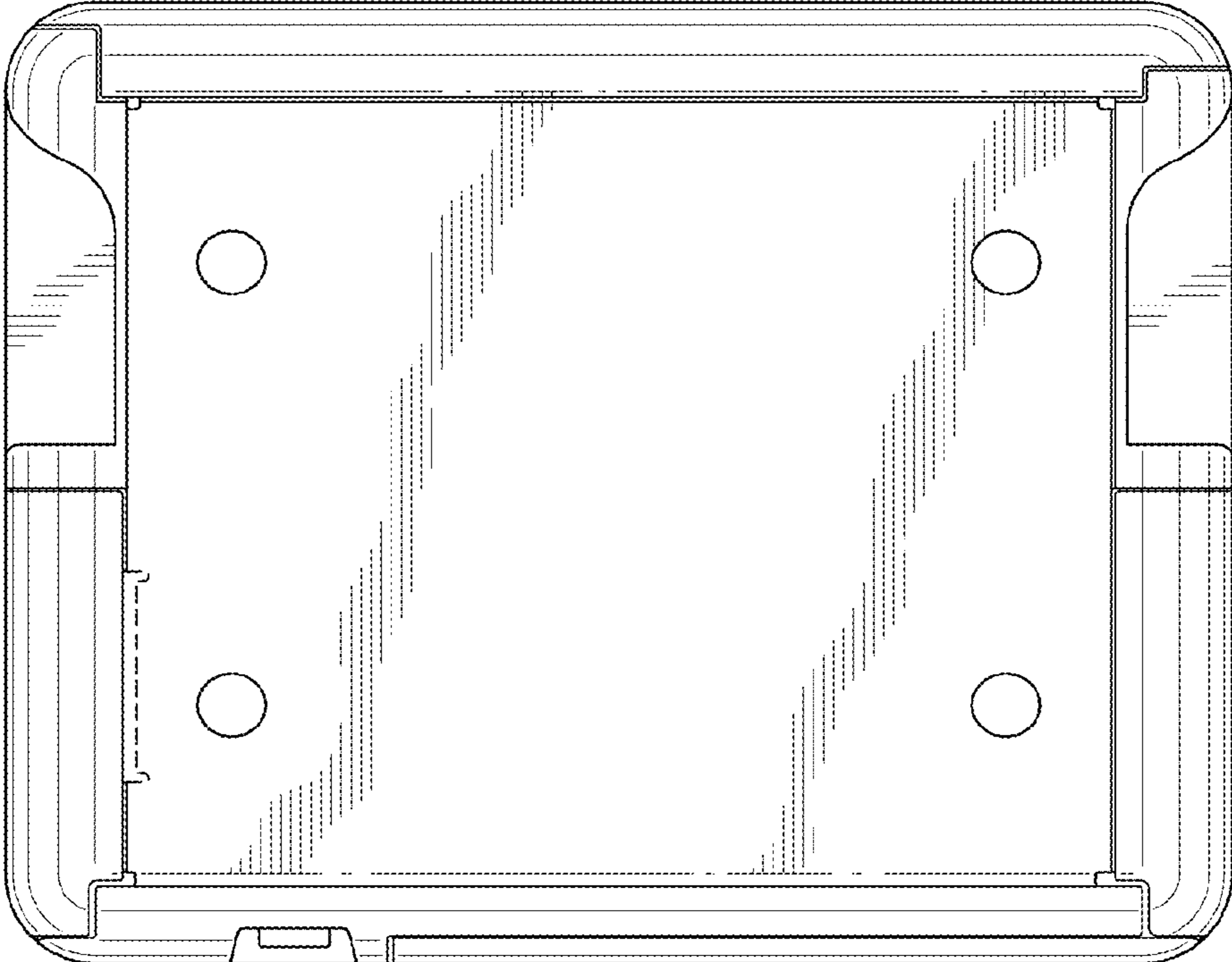


FIG.4

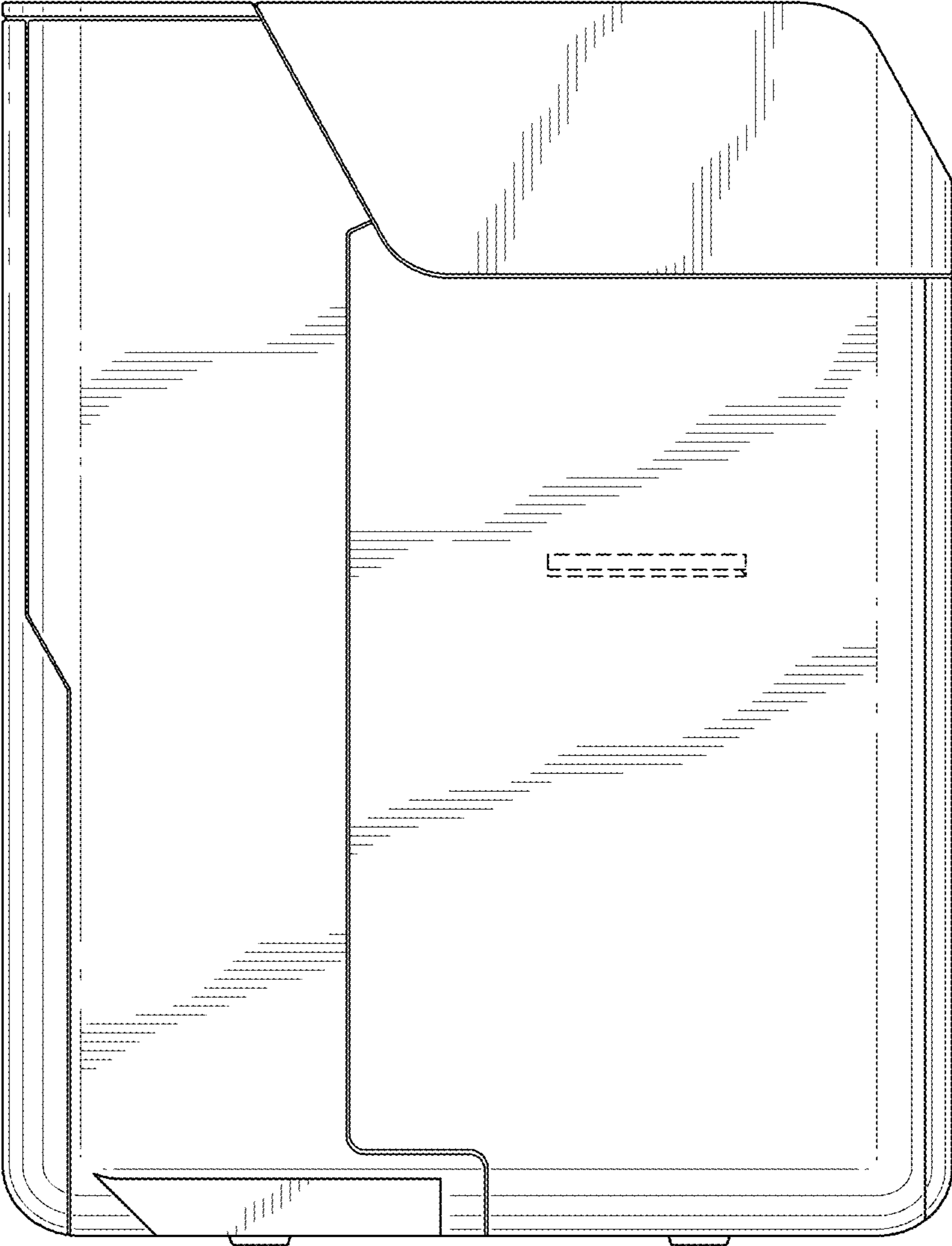


FIG. 5

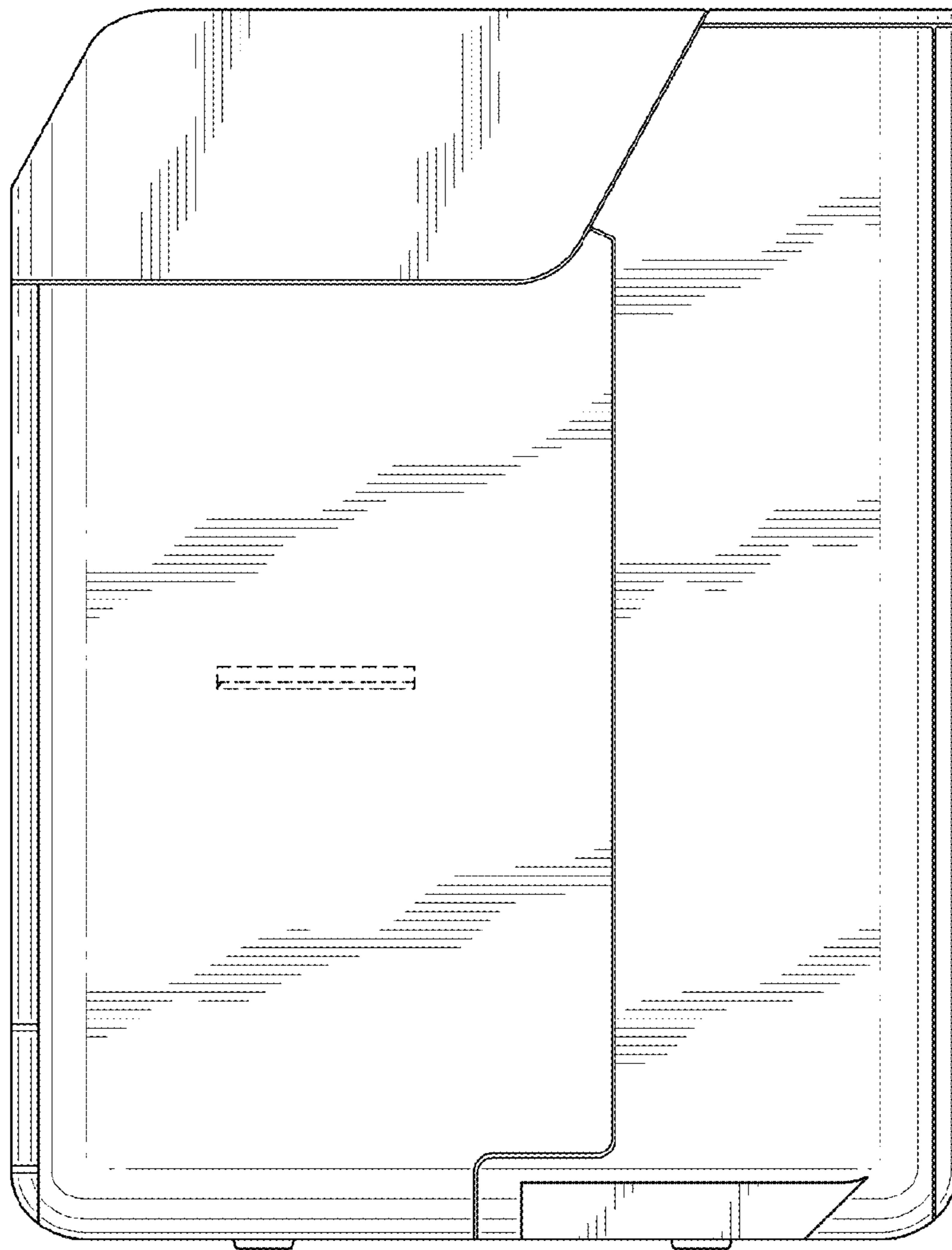


FIG.6

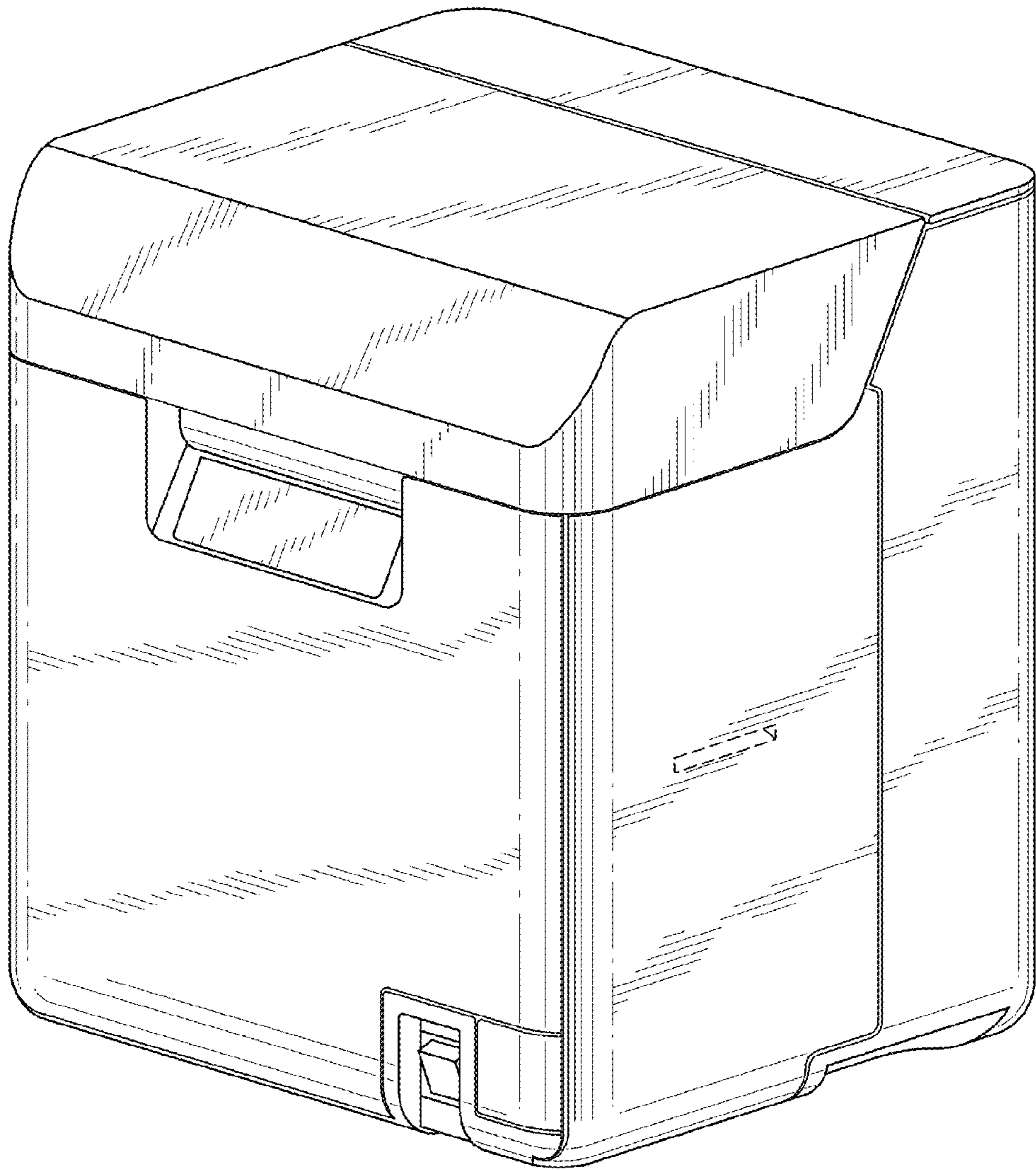


FIG. 7



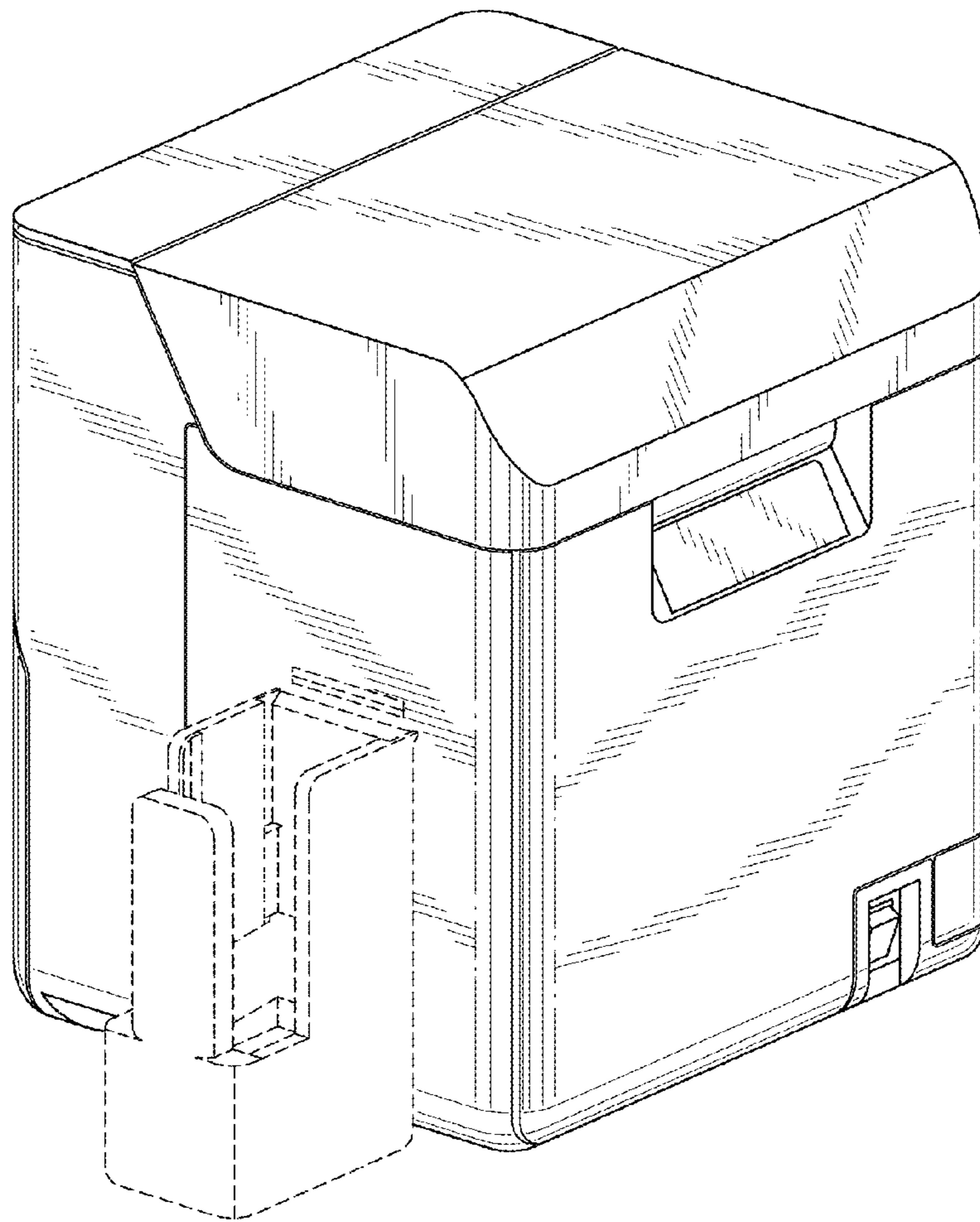


FIG. 8

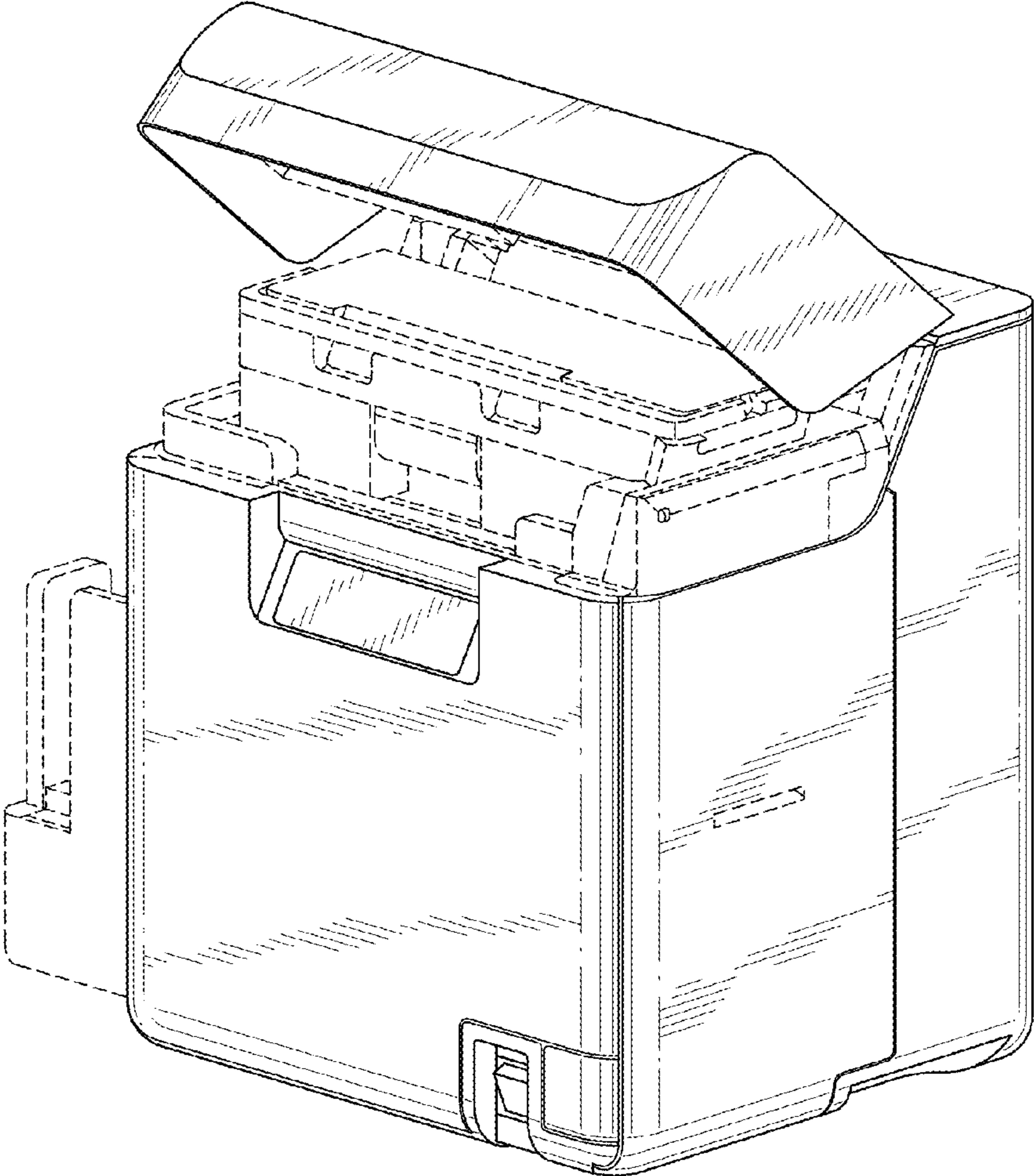


FIG. 9