



US00D686273S

(12) **United States Design Patent**  
**Kurokawa**

(10) **Patent No.:** **US D686,273 S**  
(45) **Date of Patent:** **\*\* Jul. 16, 2013**

(54) **BANK-NOTE CHECKING MACHINE**

(75) Inventor: **Tadashi Kurokawa**, Tokyo (JP)

(73) Assignee: **Kabushiki Kaisha Toshiba** (JP)

(\*\*) Term: **14 Years**

(21) Appl. No.: **29/398,162**

(22) Filed: **Jul. 27, 2011**

(30) **Foreign Application Priority Data**

Mar. 15, 2011 (JP) ..... 2011-005878

(51) **LOC (9) Cl.** ..... **18-01**

(52) **U.S. Cl.**  
USPC ..... **D18/3.3**

(58) **Field of Classification Search**  
USPC ... D18/3.1, 3.3, 12.1, 46, 47, 48, 49; D99/28,  
D99/34, 35, 43, 99; D10/46, 97; 209/2, 3,  
209/4; 235/379; 382/135; 101/2, 3.1, 4, 5  
See application file for complete search history.

(56) **References Cited**

U.S. PATENT DOCUMENTS

D274,520 S *	7/1984	Bressler	.....	D18/49
D279,479 S *	7/1985	Hilton	.....	D18/3.3
D338,905 S *	8/1993	Helgeson	.....	D18/3.3
D369,984 S *	5/1996	Larsen	.....	D10/97
5,938,044 A *	8/1999	Weggesser	.....	209/534
D438,556 S *	3/2001	Kato et al.	.....	D18/3.3
D439,604 S *	3/2001	Takagi et al.	.....	D18/3.3

6,913,130 B1 *	7/2005	Mazur et al.	.....	194/207
6,980,684 B1 *	12/2005	Munro et al.	.....	382/135
D562,377 S *	2/2008	Kuroda	.....	D18/3.3
D590,870 S *	4/2009	Kuwada	.....	D18/3.3
D652,444 S *	1/2012	Inage et al.	.....	D18/3.3

FOREIGN PATENT DOCUMENTS

JP 1301922 5/2007

\* cited by examiner

*Primary Examiner* — Elizabeth J Oswecki

(74) *Attorney, Agent, or Firm* — Banner & Witcoff, Ltd.

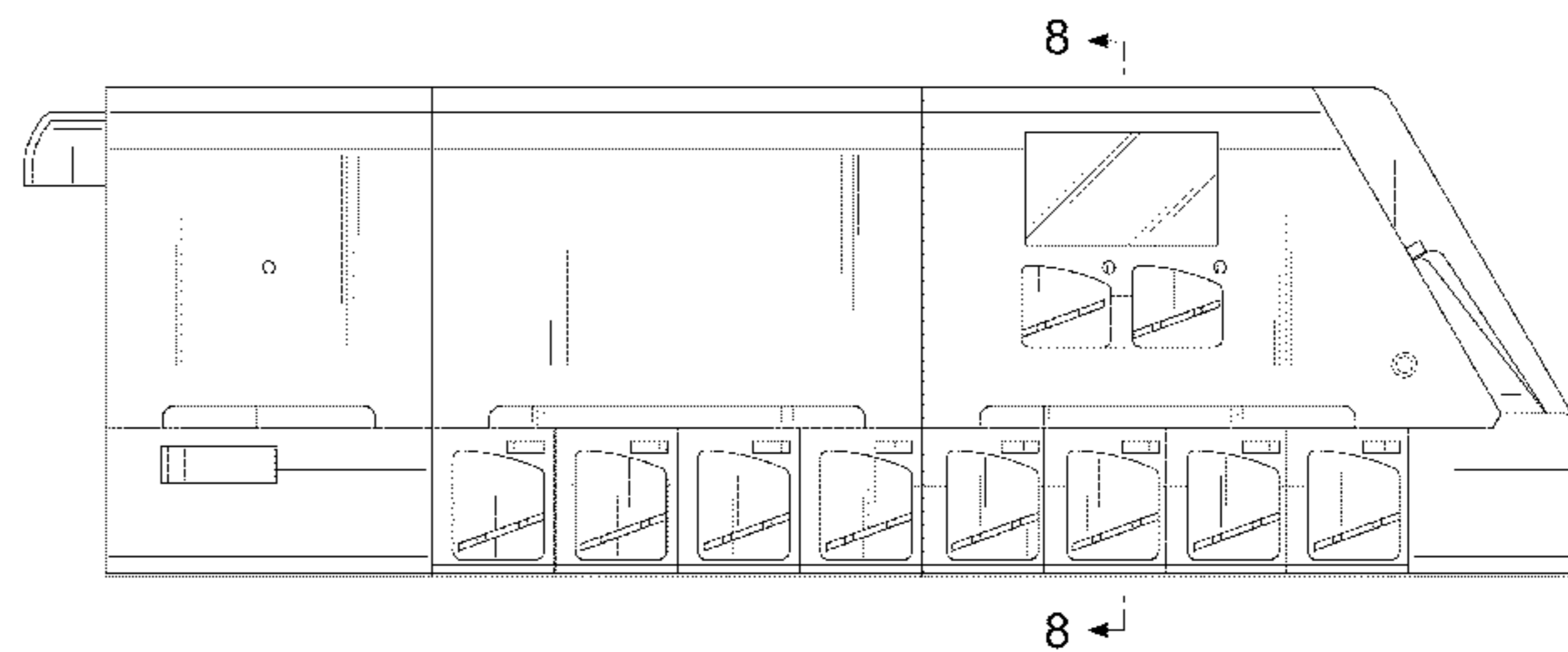
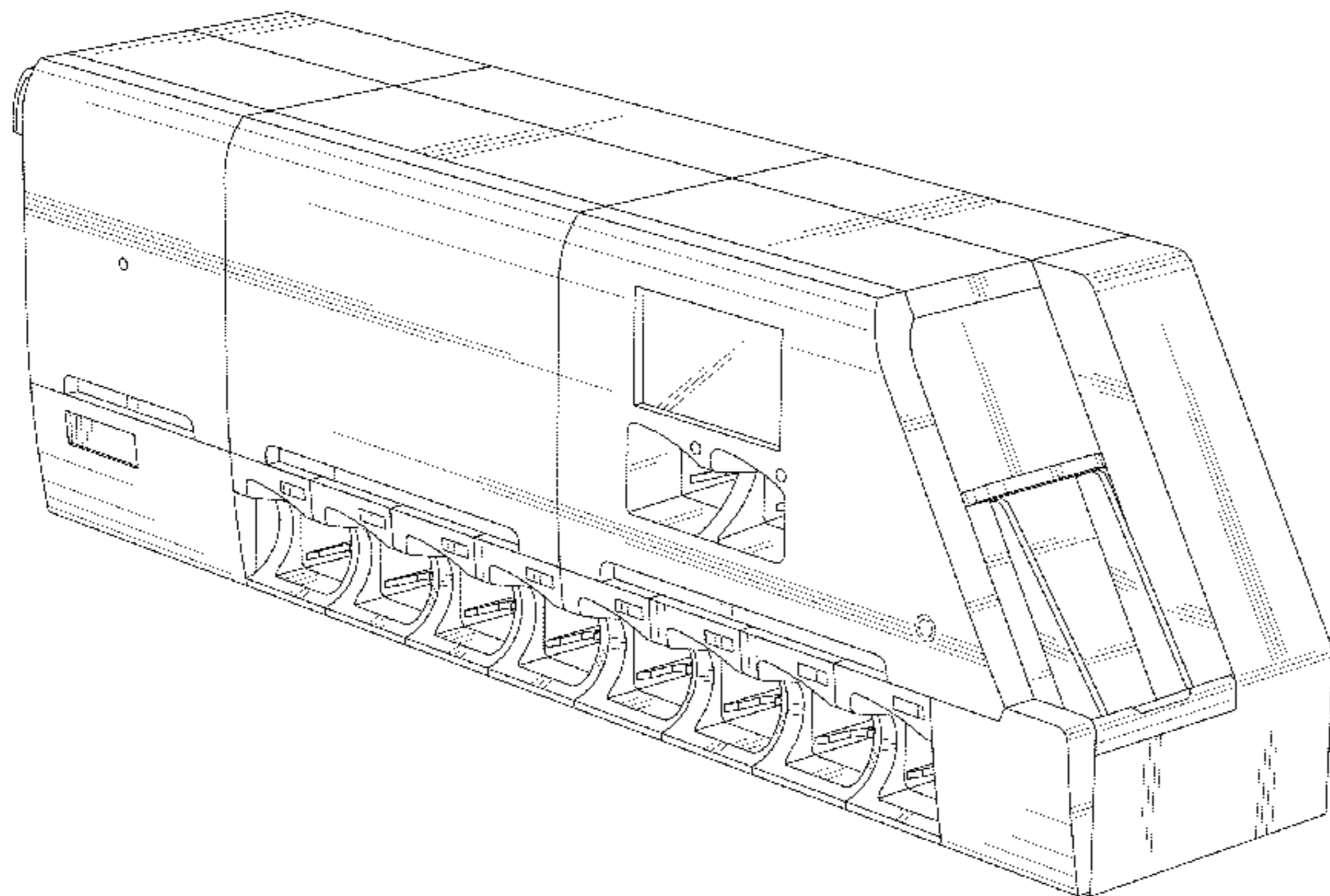
(57) **CLAIM**

The ornamental design for a bank-note checking machine.

**DESCRIPTION**

FIG. 1 is a front, top, right side perspective view of a bank-note checking machine, showing my new design;  
 FIG. 2 is a front elevational view thereof;  
 FIG. 3 is a rear elevational view thereof;  
 FIG. 4 is a top plan view thereof;  
 FIG. 5 is a bottom plan view thereof;  
 FIG. 6 is a left side elevational view thereof;  
 FIG. 7 is a right side elevational view thereof;  
 FIG. 8 is an enlarged cross sectional view thereof, taken along line 8-8 in FIG. 2; and,  
 FIG. 9 is another enlarged cross sectional view thereof, taken along line 9-9 in FIG. 7.  
 The broken lines in FIGS. 1, 2, 8 and 9 form no part of the claimed design.

**1 Claim, 8 Drawing Sheets**



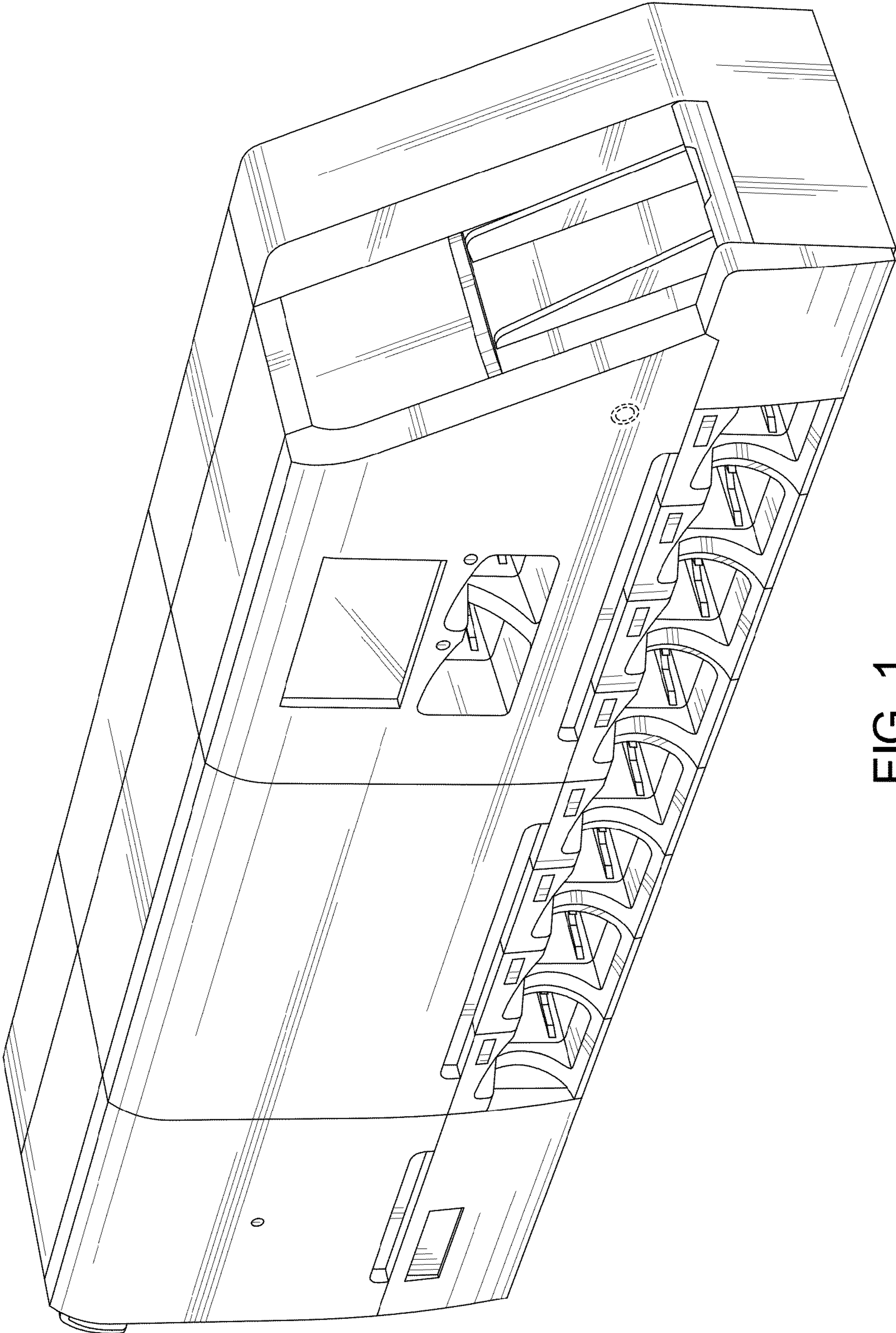


FIG. 1

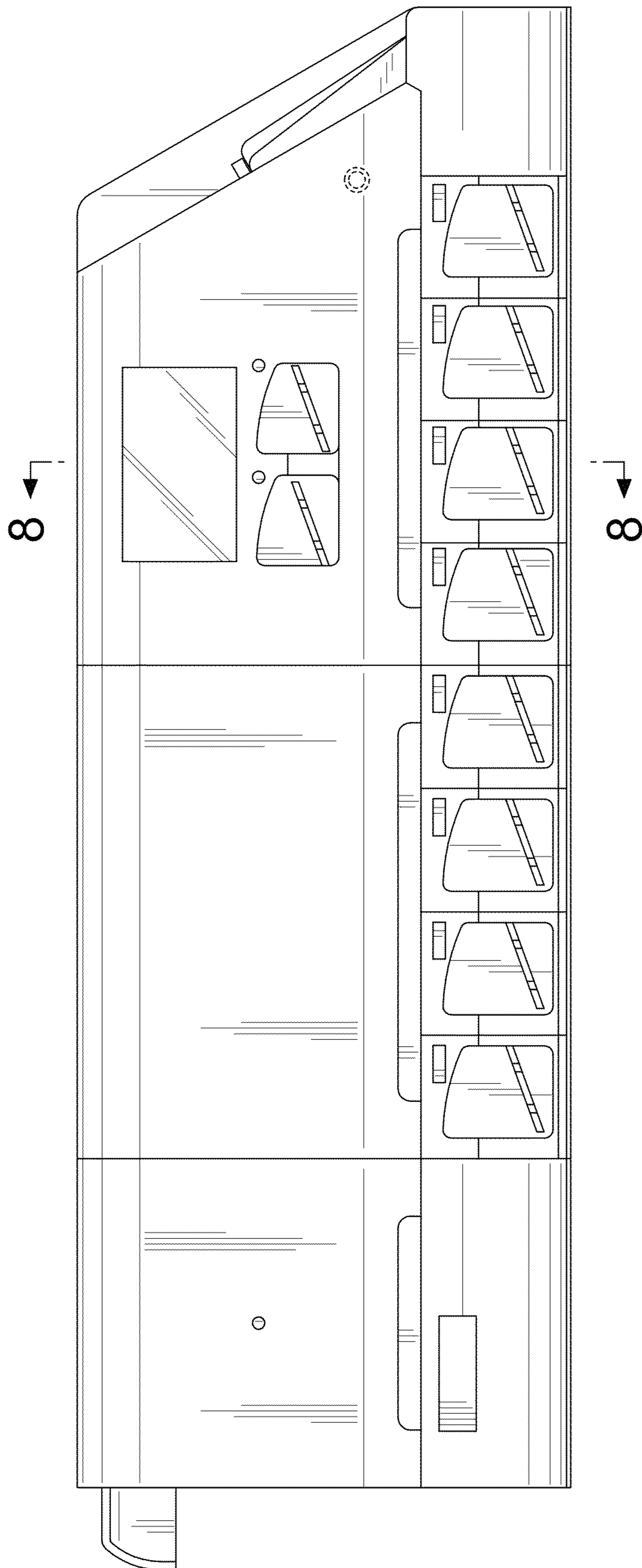


FIG. 2

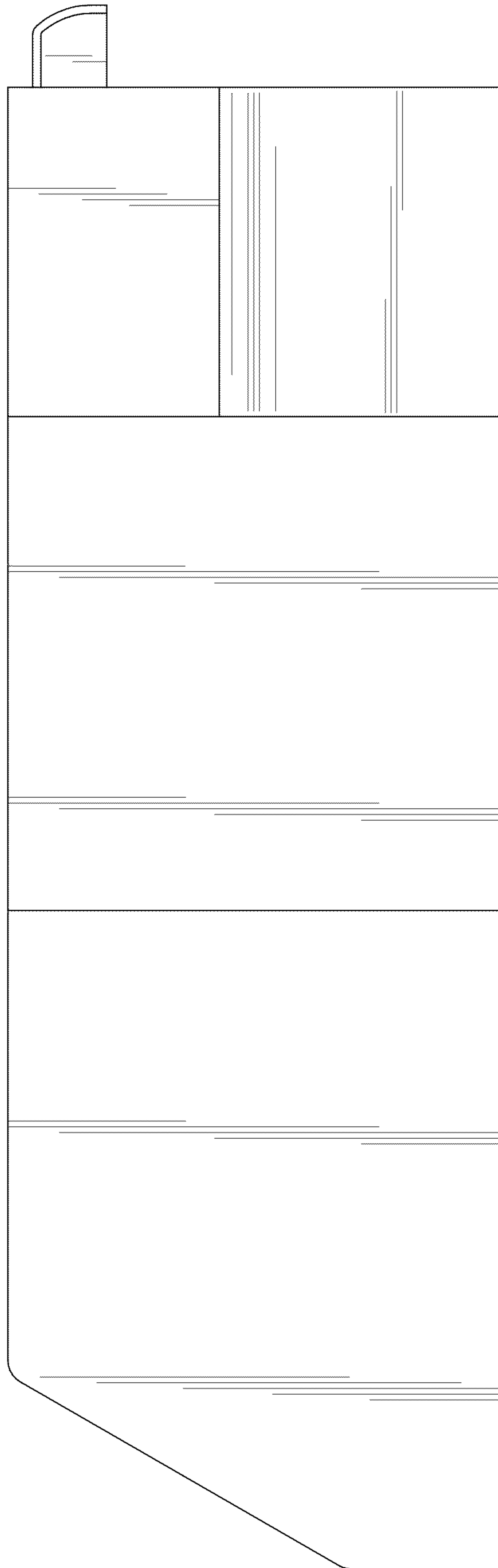


FIG. 3

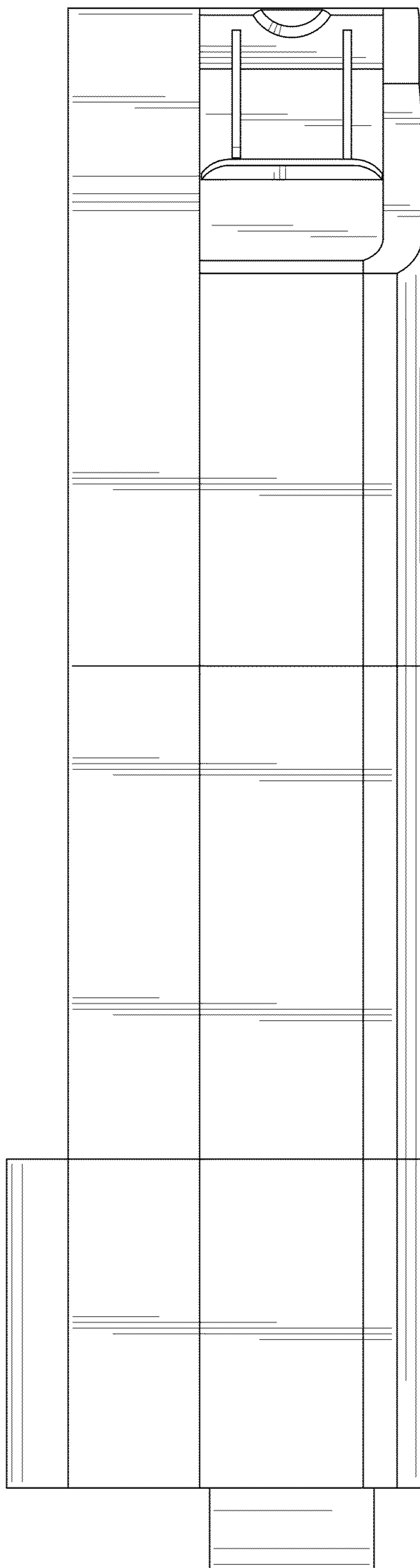


FIG. 4

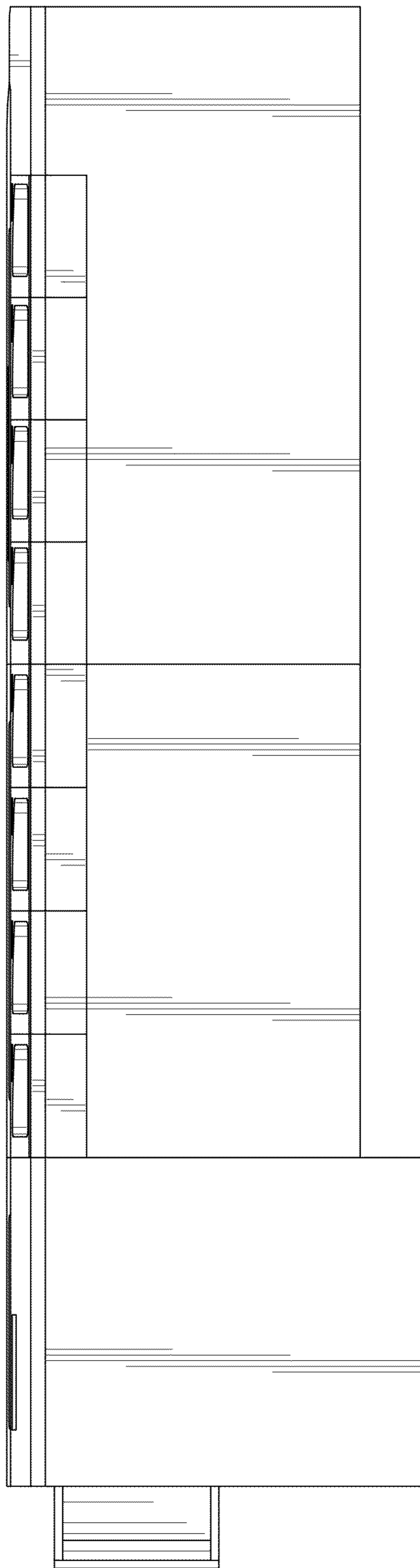


FIG. 5

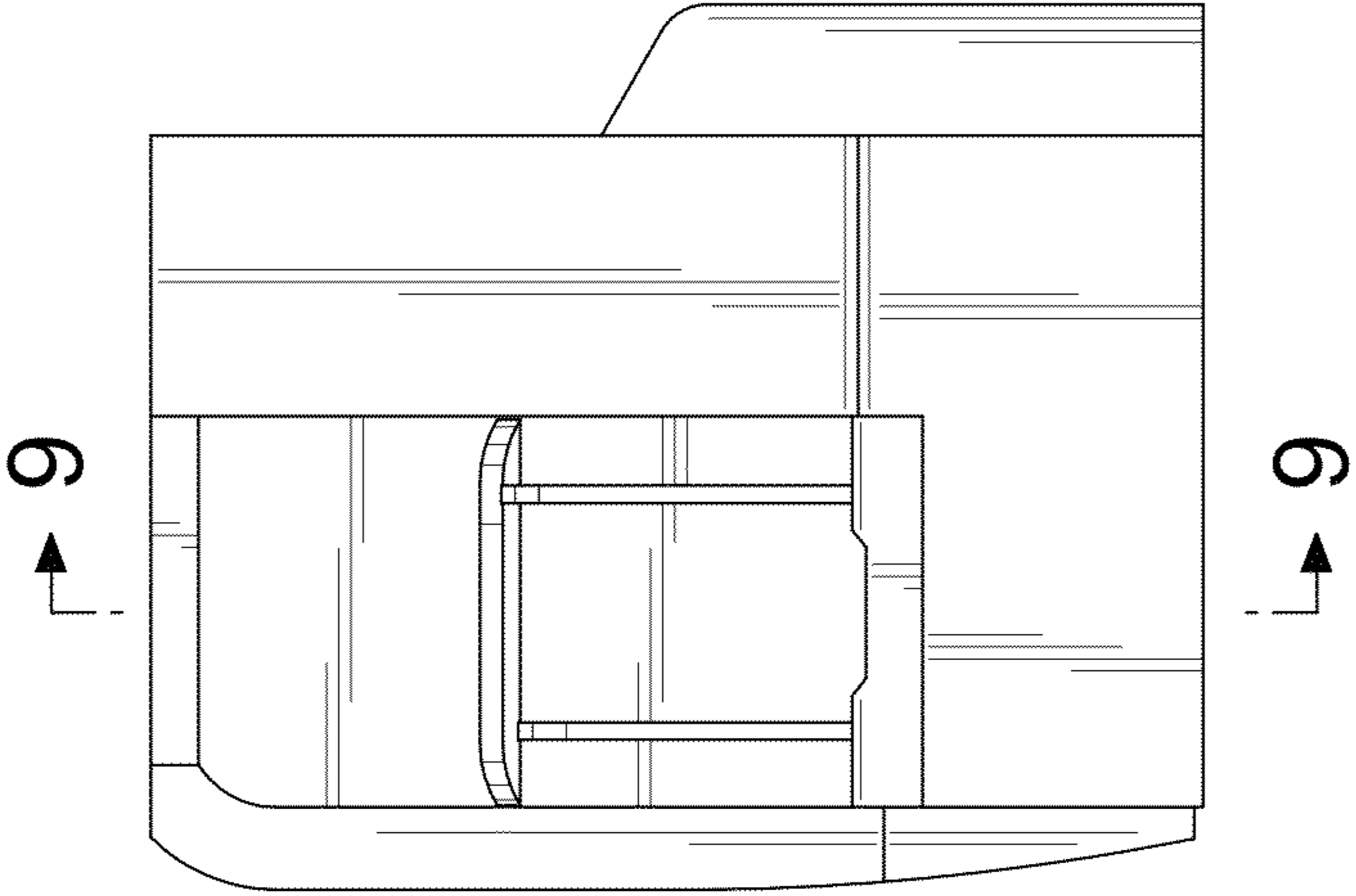


FIG. 7

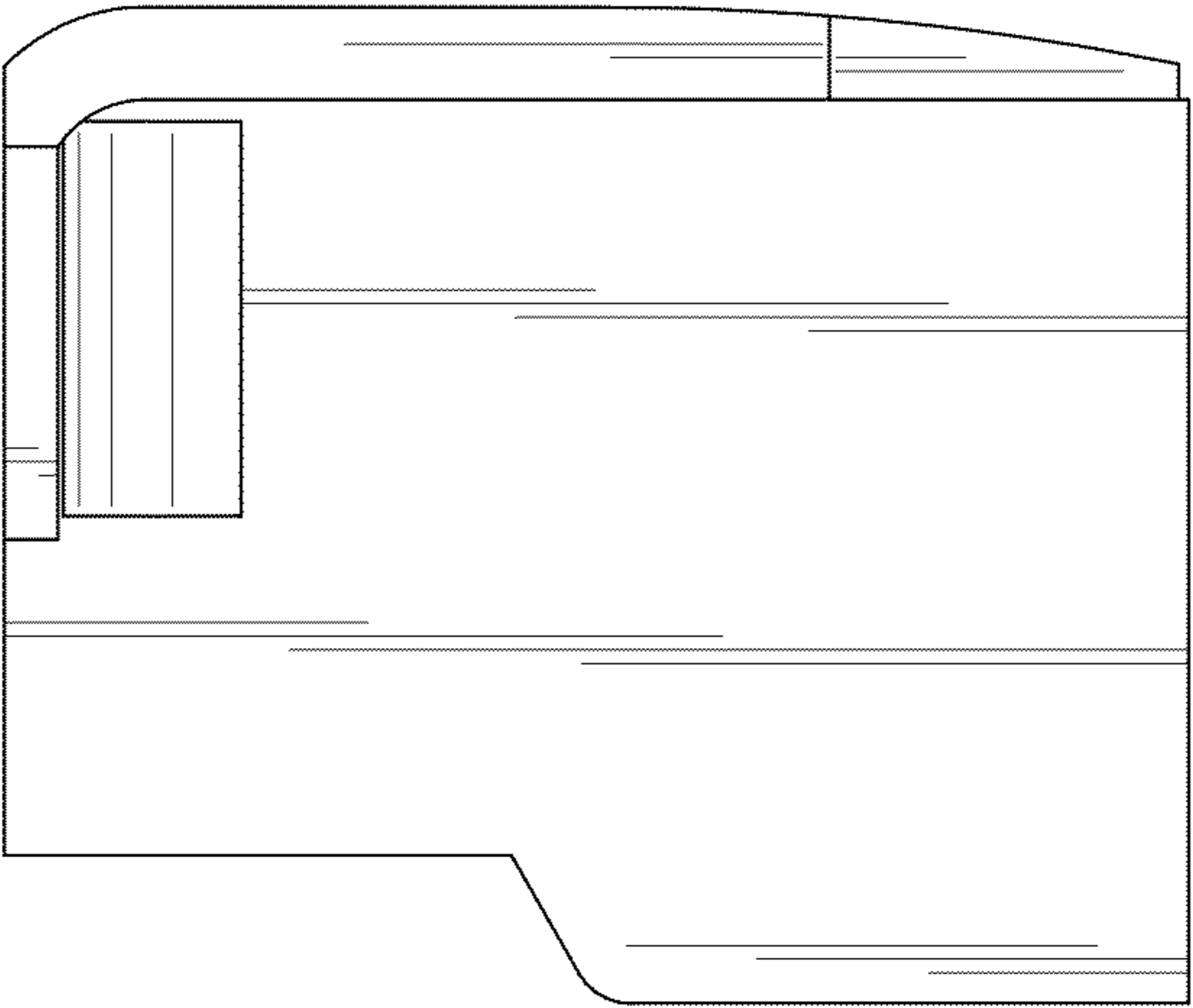


FIG. 6

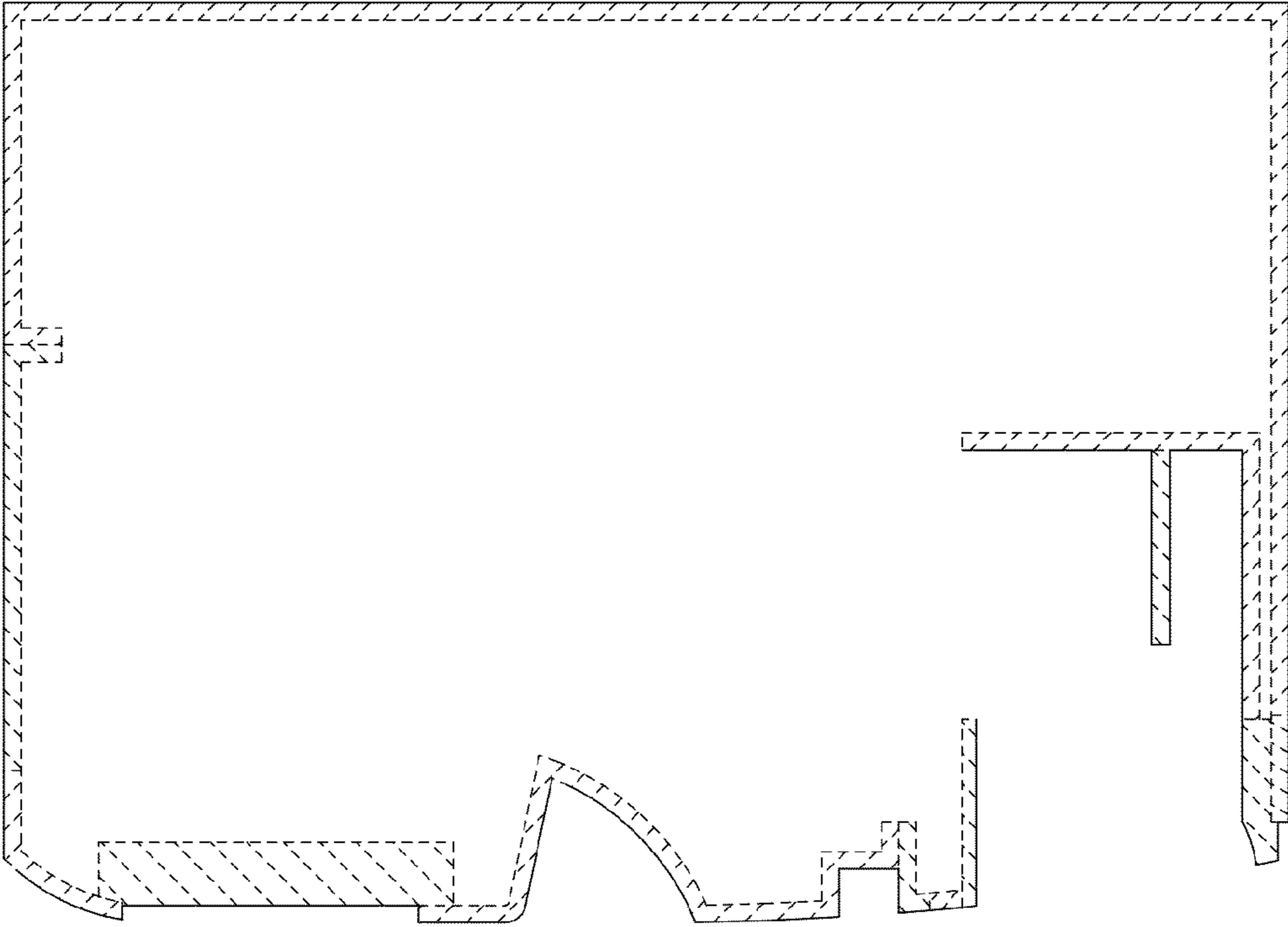


FIG. 8



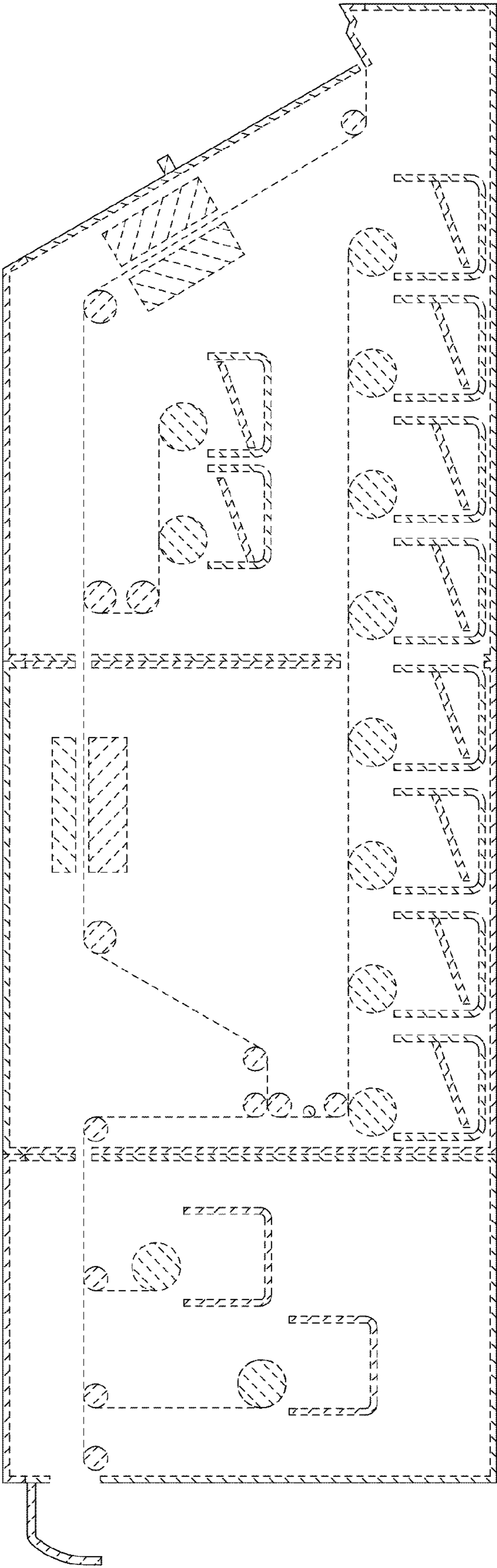


FIG. 9