



US00D686272S

(12) **United States Design Patent**
Umehara et al.

(10) **Patent No.:** **US D686,272 S**
(45) **Date of Patent:** **** Jul. 16, 2013**

(54) **CAMERA GRIP WITH A LIGHT**

(75) Inventors: **Takashi Umehara**, Tokyo (JP); **Akio Shindate**, London (GB)

(73) Assignee: **Nikon Corporation**, Tokyo (JP)

(**) Term: **14 Years**

(21) Appl. No.: **29/415,347**

(22) Filed: **Mar. 9, 2012**

(30) **Foreign Application Priority Data**

Sep. 15, 2011 (JP) 2011-021151

(51) **LOC (9) Cl.** **16-05**

(52) **U.S. Cl.**
USPC **D16/243**

(58) **Field of Classification Search**
USPC .. D16/237, 239, 242, 243; 352/243; 348/373,
348/376; 396/422, 423, 424
See application file for complete search history.

(56) **References Cited**

U.S. PATENT DOCUMENTS

D261,524 S *	10/1981	Kando et al.	D16/243
D319,068 S *	8/1991	Shinano	D16/243
5,066,966 A *	11/1991	Kawano	396/424
5,343,263 A *	8/1994	Takemae et al.	396/423
D470,518 S *	2/2003	Su et al.	D16/202

7,280,151 B2 *	10/2007	Kojima et al.	348/373
2005/0174479 A1 *	8/2005	Kosako	348/376
2009/0028541 A1 *	1/2009	Livitz	396/422

* cited by examiner

Primary Examiner — Adir Aronovich

(74) *Attorney, Agent, or Firm* — Wolf, Greenfield & Sacks, P.C.; Randy J. Pritzker

(57) **CLAIM**

The ornamental design for a camera grip with a light, as shown and described.

DESCRIPTION

FIG. 1 is a front perspective view of a camera grip with a light showing our new design;
FIG. 2 is a rear perspective view thereof;
FIG. 3 is a front elevational view thereof;
FIG. 4 is a rear elevational view thereof;
FIG. 5 is a top plan view thereof;
FIG. 6 is a bottom plan view thereof;
FIG. 7 is a right side elevational view thereof;
FIG. 8 is a left side elevational view thereof; and,
FIG. 9 is a reduced front perspective view thereof, showing the article in use.

The features shown in broken lines in the drawings depict environmental subject matter only and form no part of the claimed design.

1 Claim, 9 Drawing Sheets

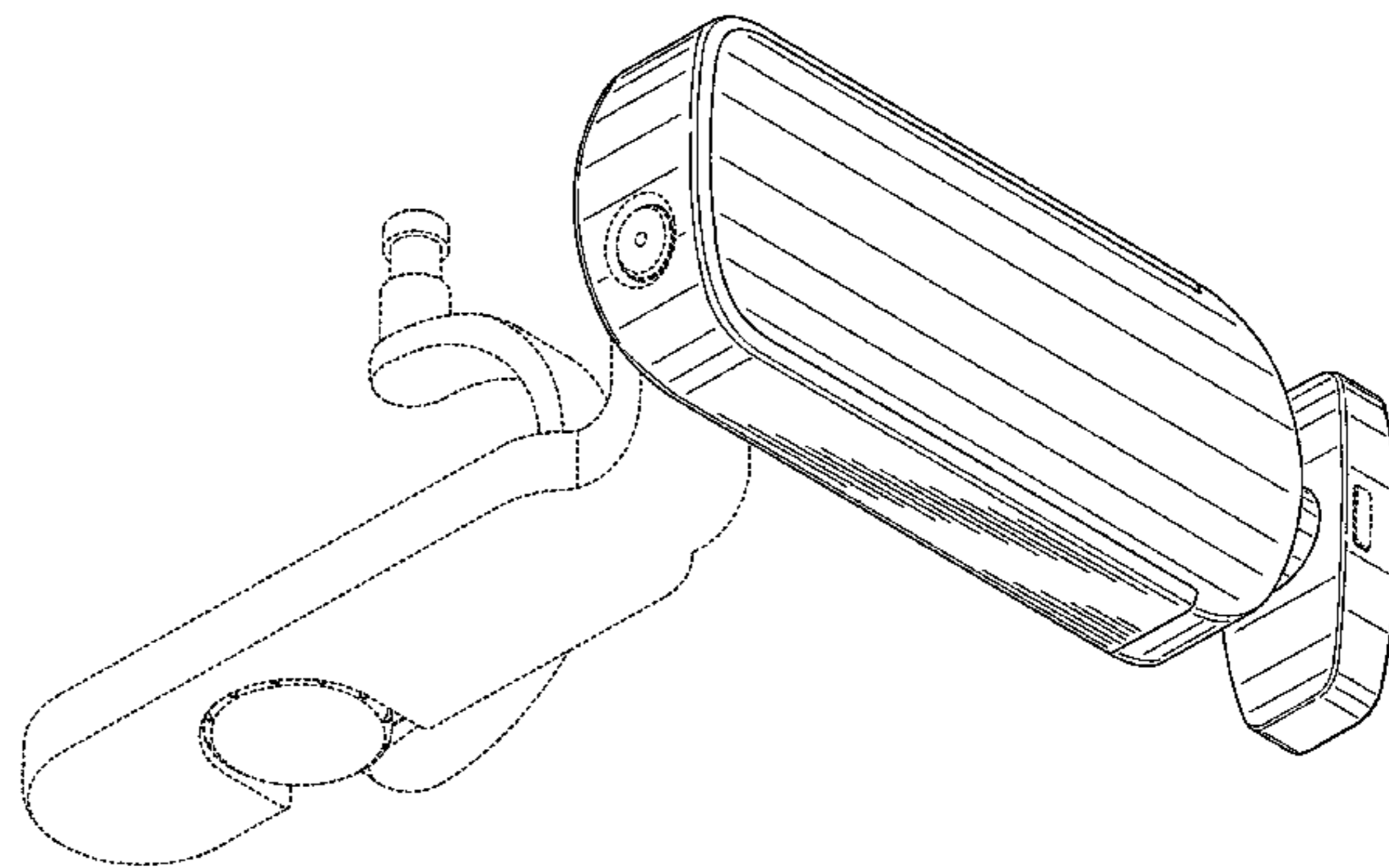
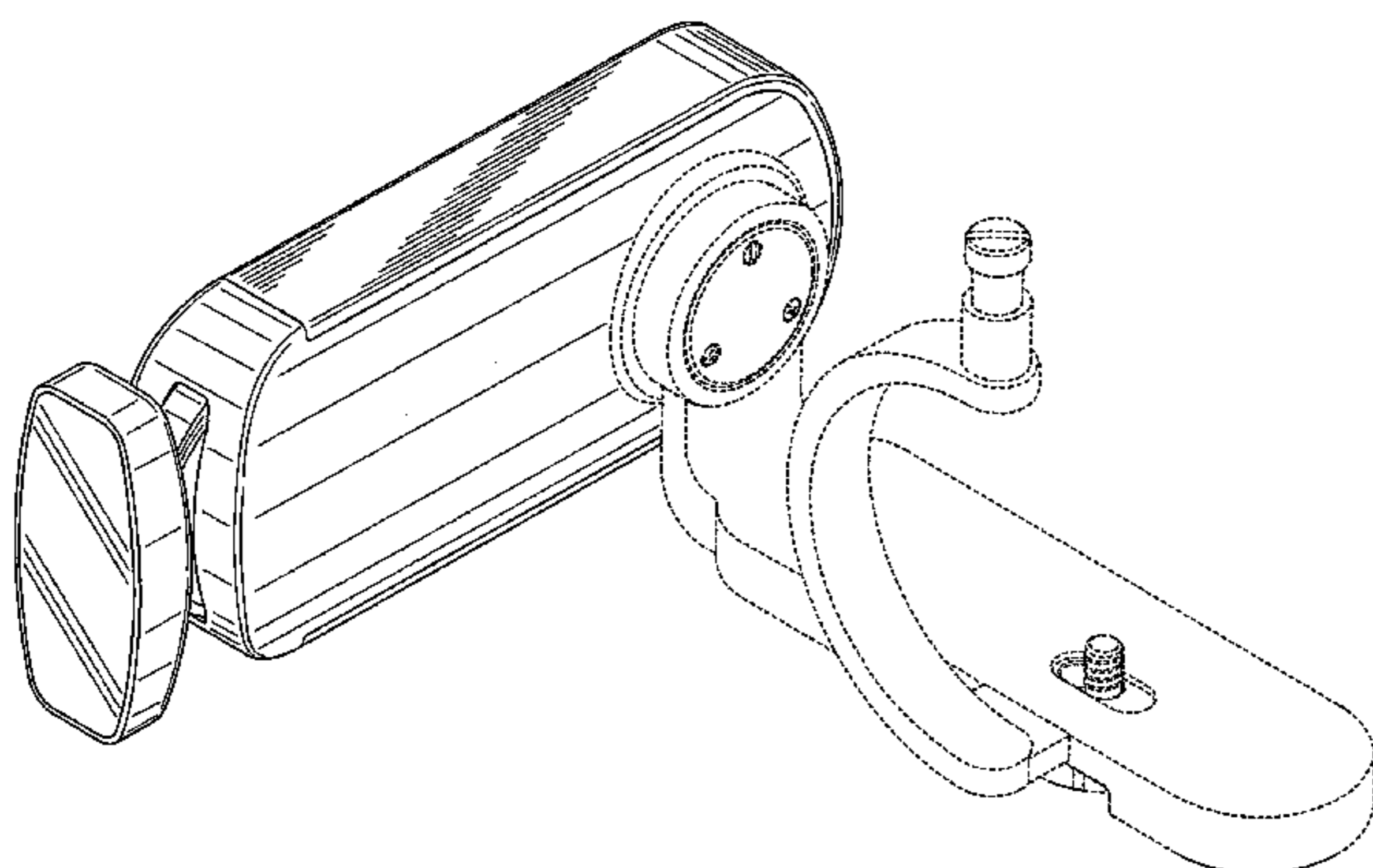
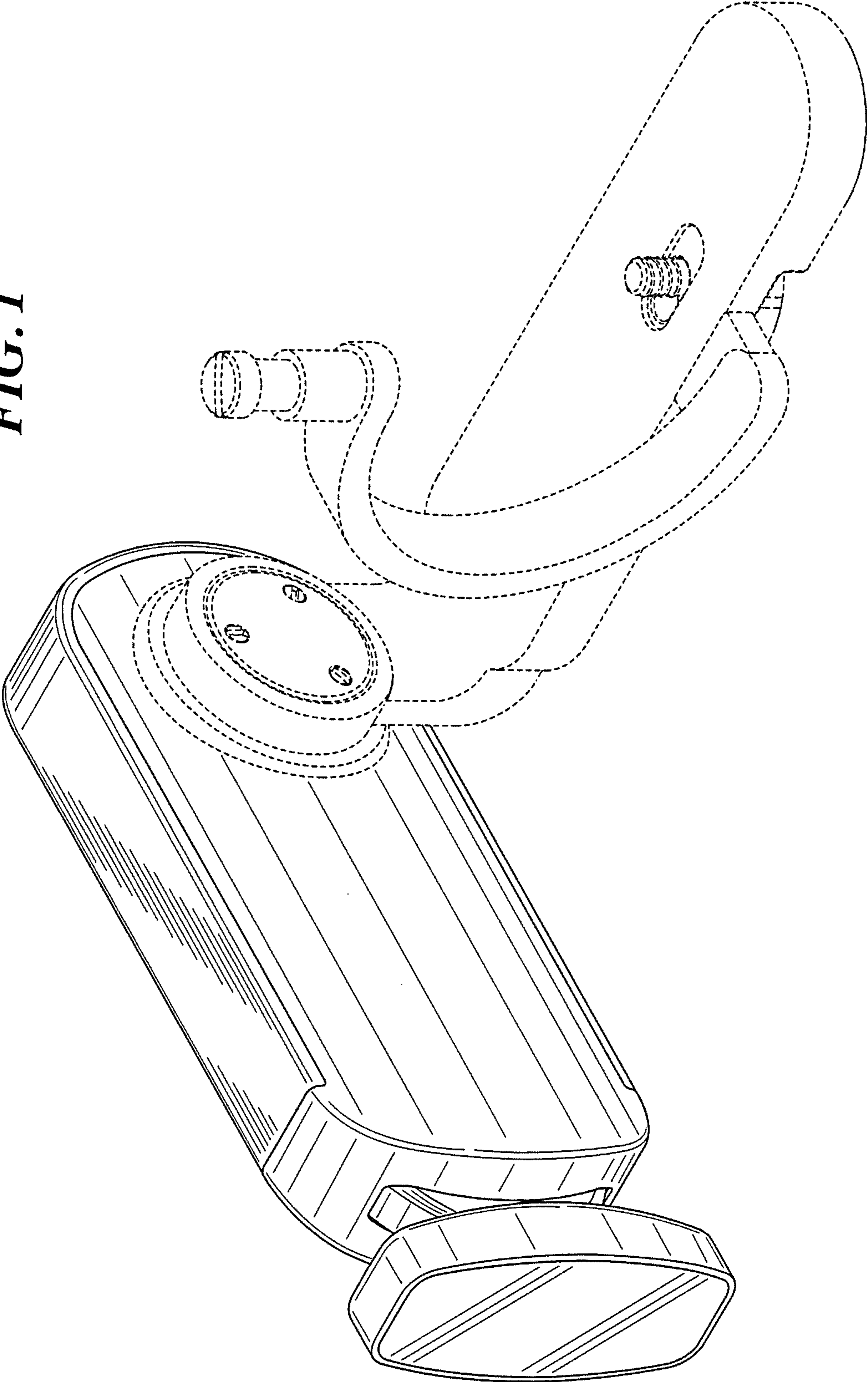


FIG. 1



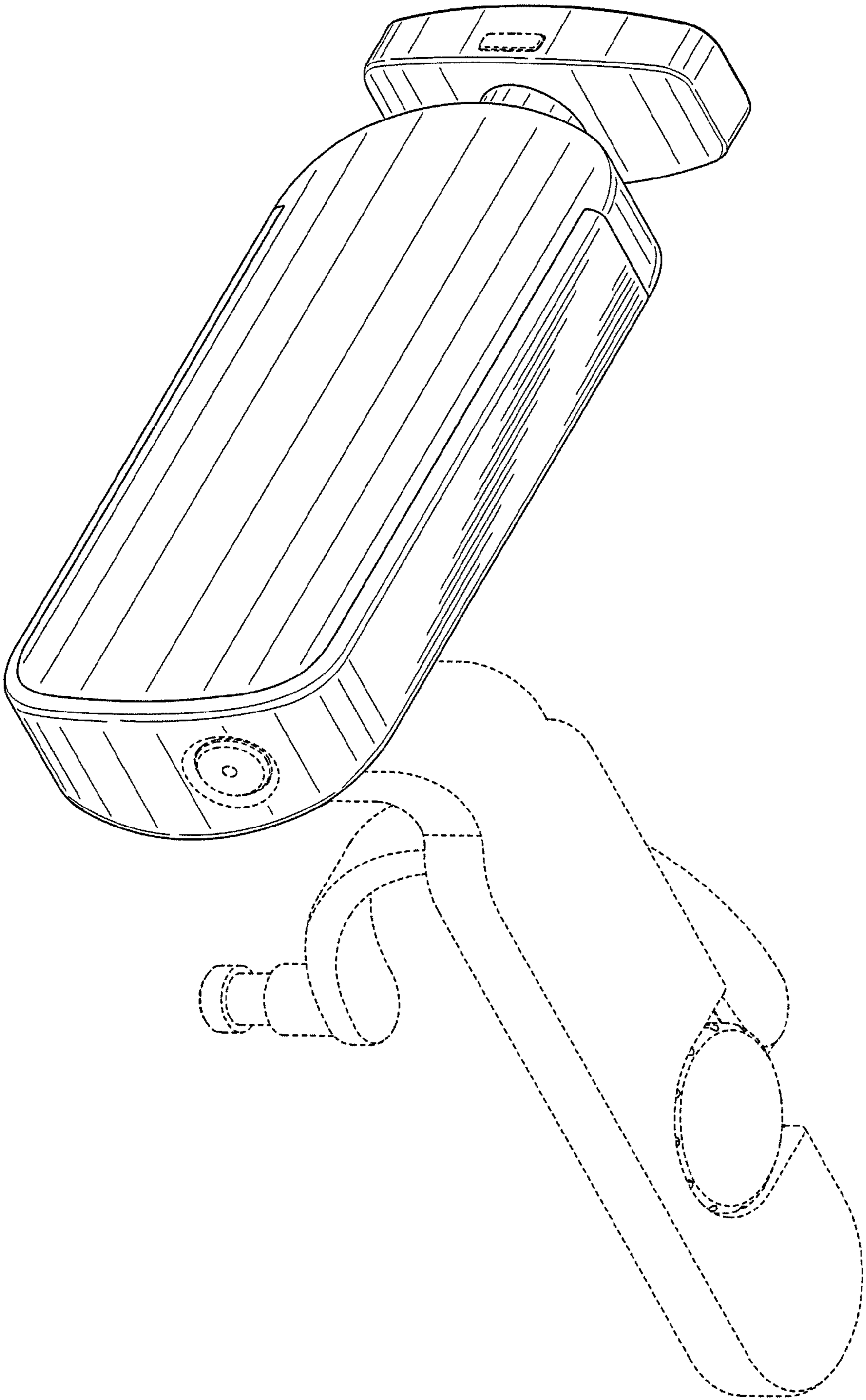


FIG. 2

FIG. 3

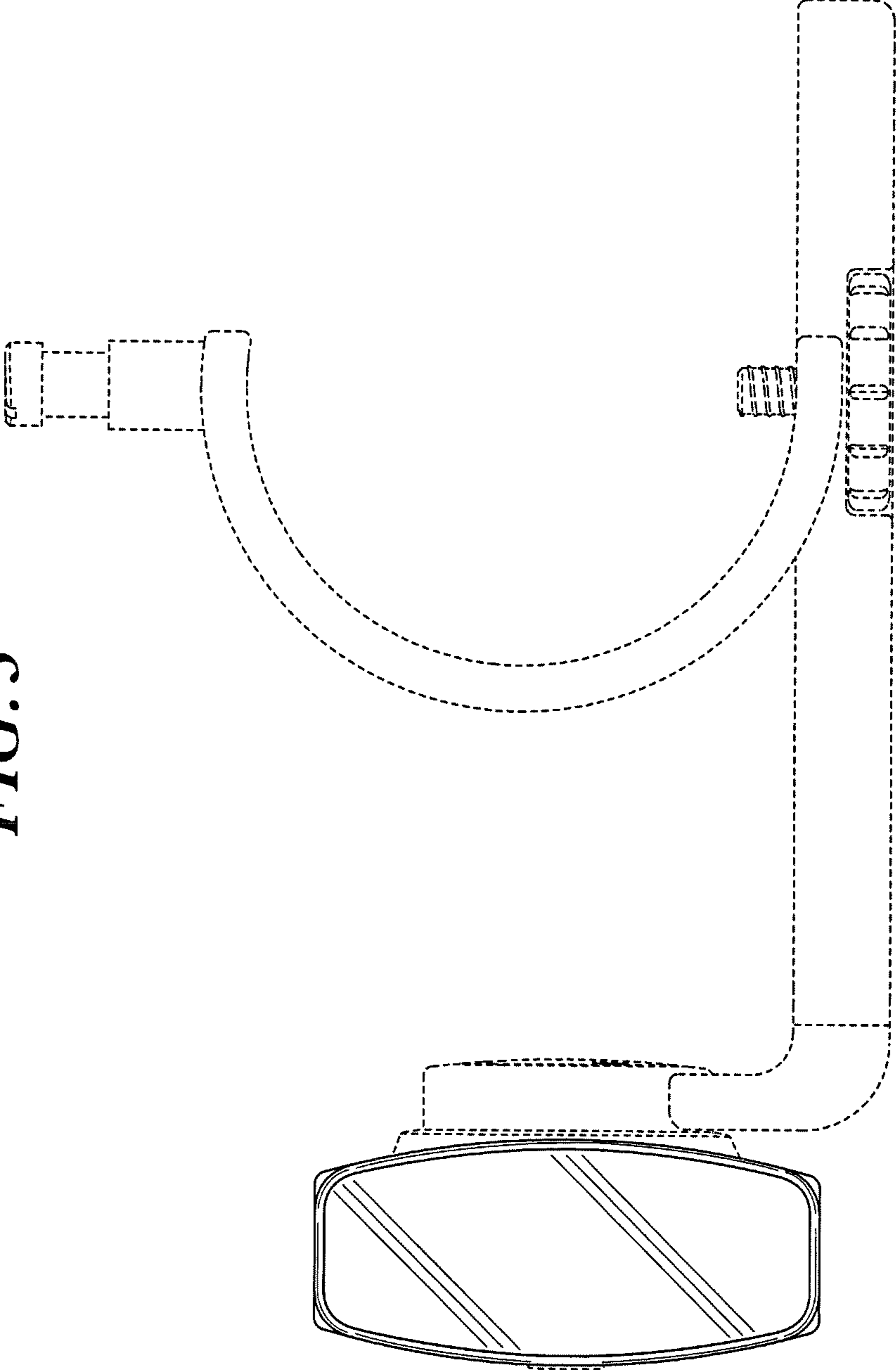


FIG. 4

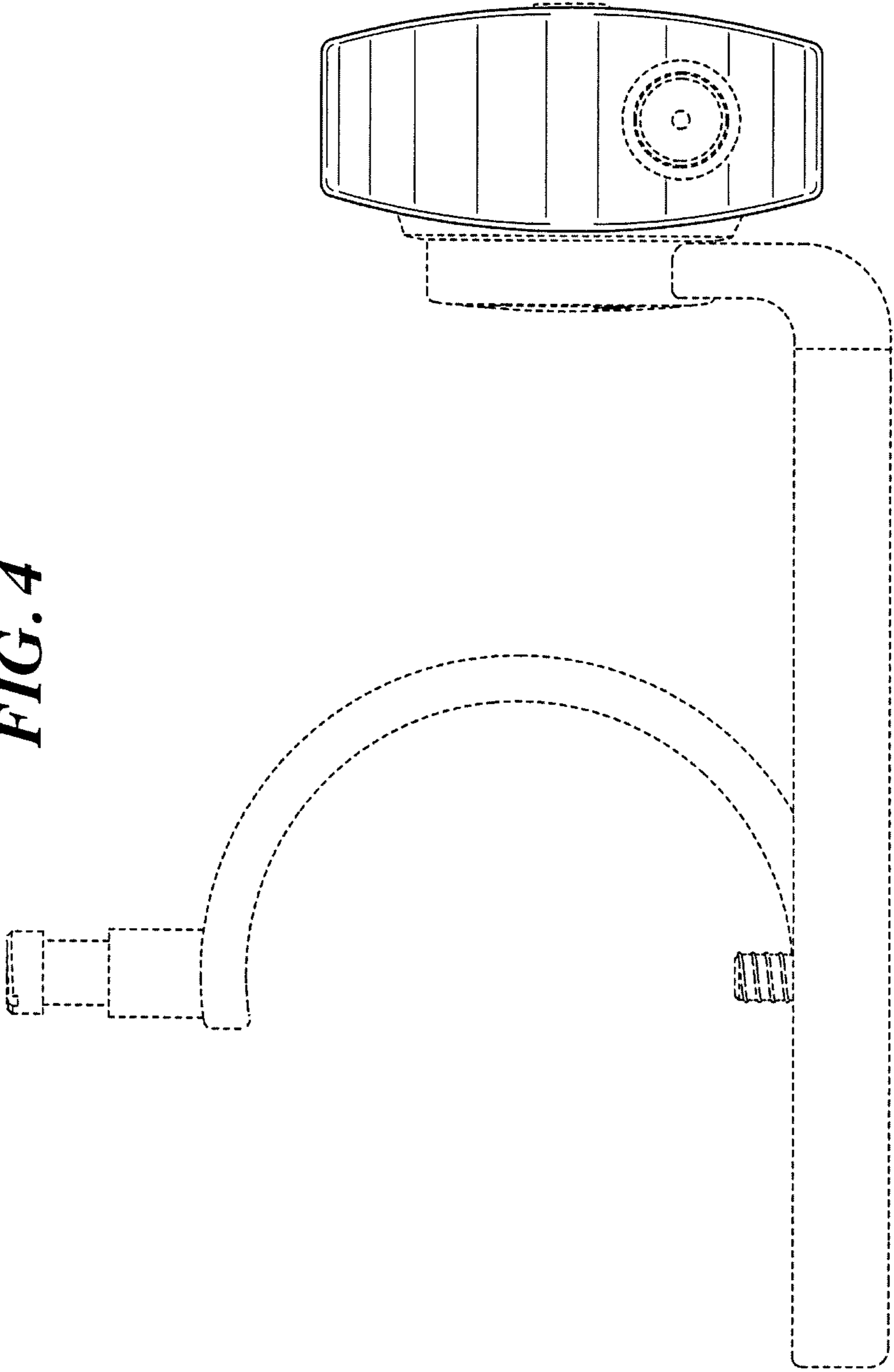


FIG. 5

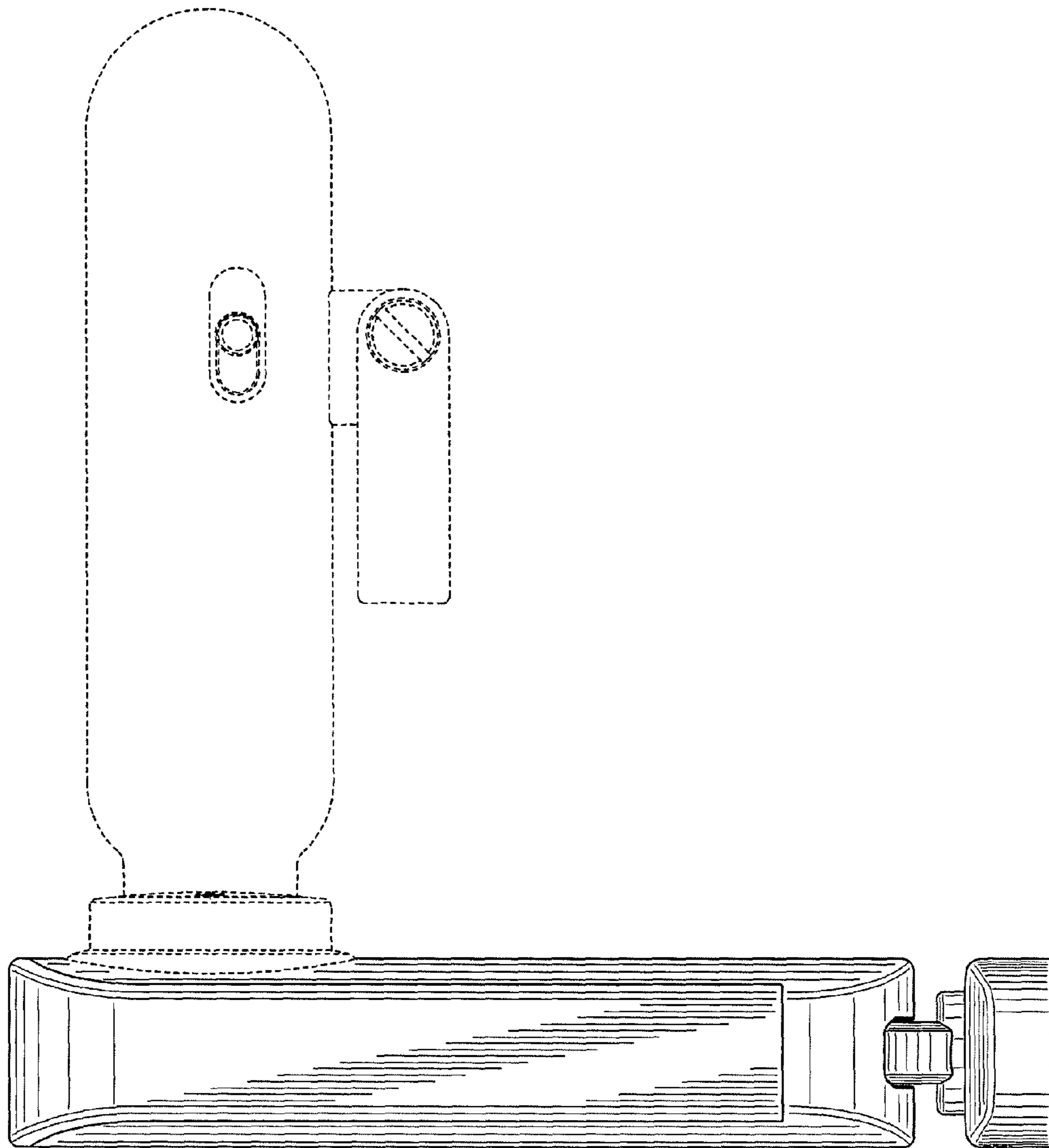
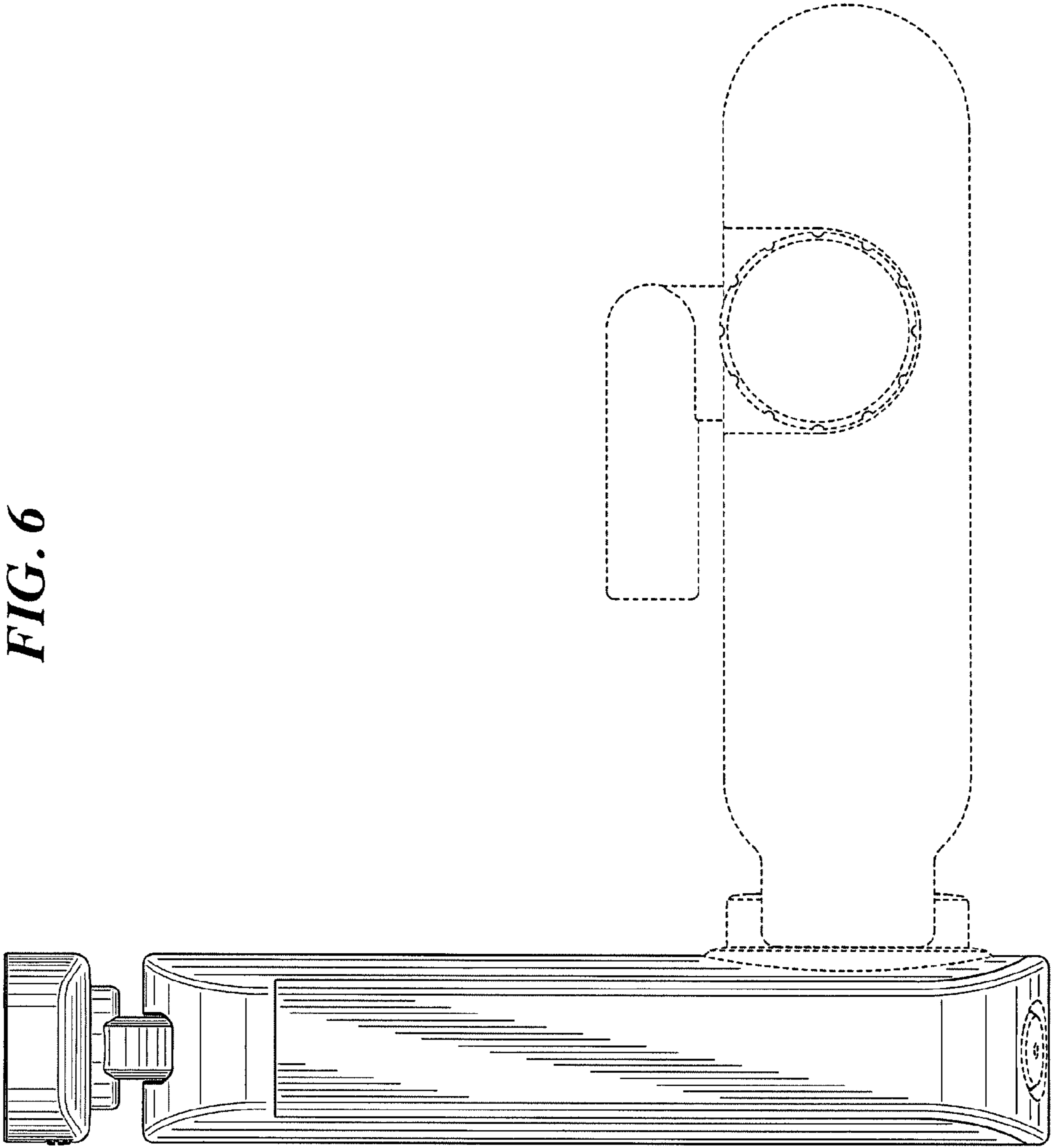


FIG. 6



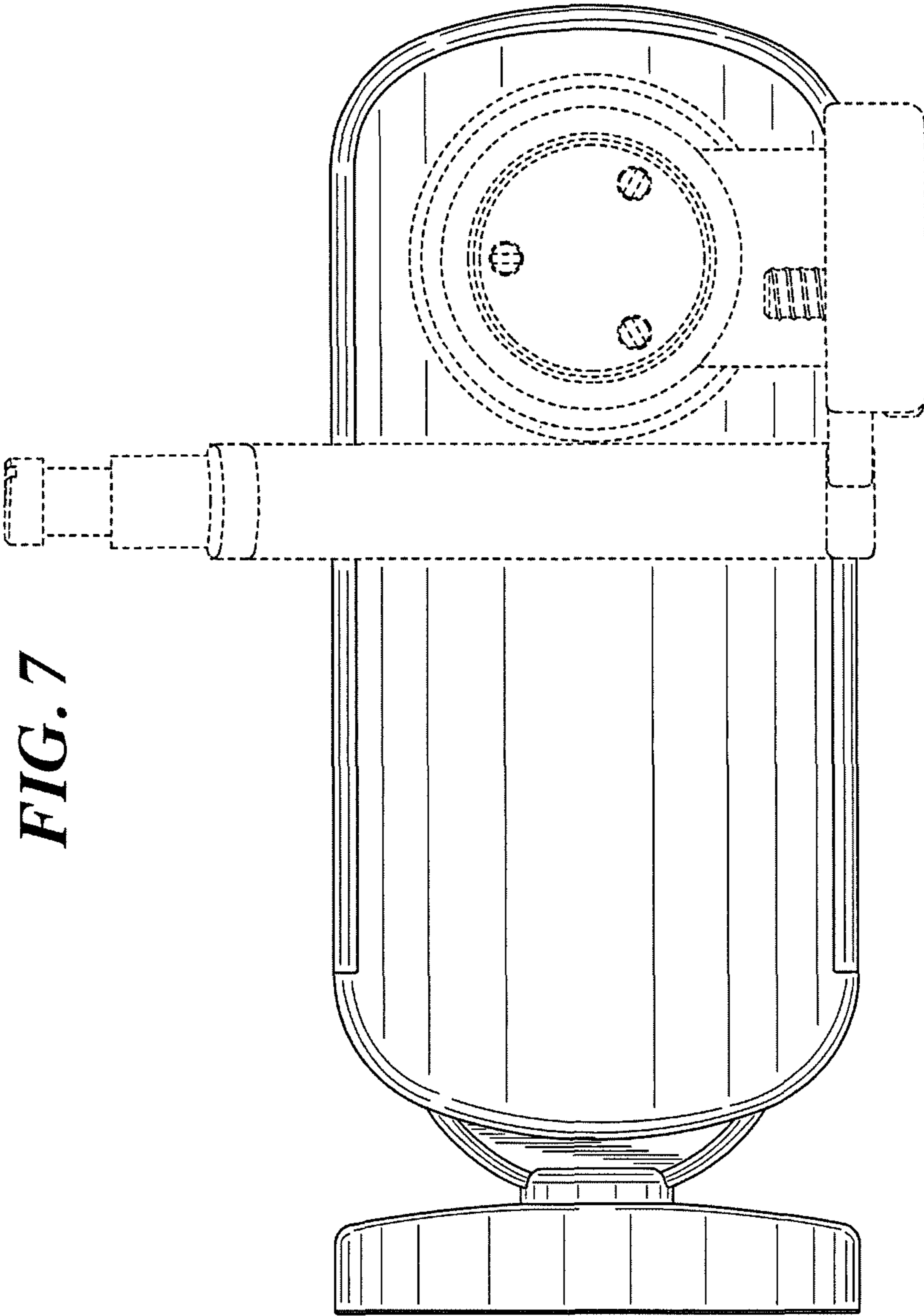


FIG. 7

FIG. 8

