



US00D686271S

(12) **United States Design Patent**  
**Tanaka**

(10) **Patent No.:** **US D686,271 S**  
(45) **Date of Patent:** **\*\* Jul. 16, 2013**

(54) **LAMP UNIT FOR PROJECTOR**

(75) Inventor: **Katsunori Tanaka**, Azumino (JP)

(73) Assignee: **Seiko Epson Corporation**, Tokyo (JP)

(\*\*) Term: **14 Years**

(21) Appl. No.: **29/423,244**

(22) Filed: **May 30, 2012**

(30) **Foreign Application Priority Data**

Apr. 27, 2012 (JP) ..... 2012-010046

(51) **LOC (9) Cl.** ..... **16-02**

(52) **U.S. Cl.**  
USPC ..... **D16/235**

(58) **Field of Classification Search**  
USPC ..... D16/221, 225, 235; D26/1, 24; 352/198,  
352/203; 353/52, 87, 61, 119; 362/241, 261,  
362/263-264, 294, 345, 362, 373  
See application file for complete search history.

(56) **References Cited**

**U.S. PATENT DOCUMENTS**

D605,684 S \* 12/2009 Takizawa ..... D16/235  
D616,482 S \* 5/2010 Nishi et al. .... D16/235

D645,892 S \* 9/2011 Nishi ..... D16/235  
8,132,924 B2 \* 3/2012 Nishi et al. .... 353/61  
D673,202 S \* 12/2012 Takizawa ..... D16/235  
2010/0103382 A1 \* 4/2010 Onodera et al. .... 353/52  
2011/0216285 A1 \* 9/2011 Saito et al. .... 353/52  
2013/0010267 A1 \* 1/2013 Tanaka ..... 353/52

\* cited by examiner

*Primary Examiner* — Wan Laymon

(74) *Attorney, Agent, or Firm* — Oliff & Berridge, PLC

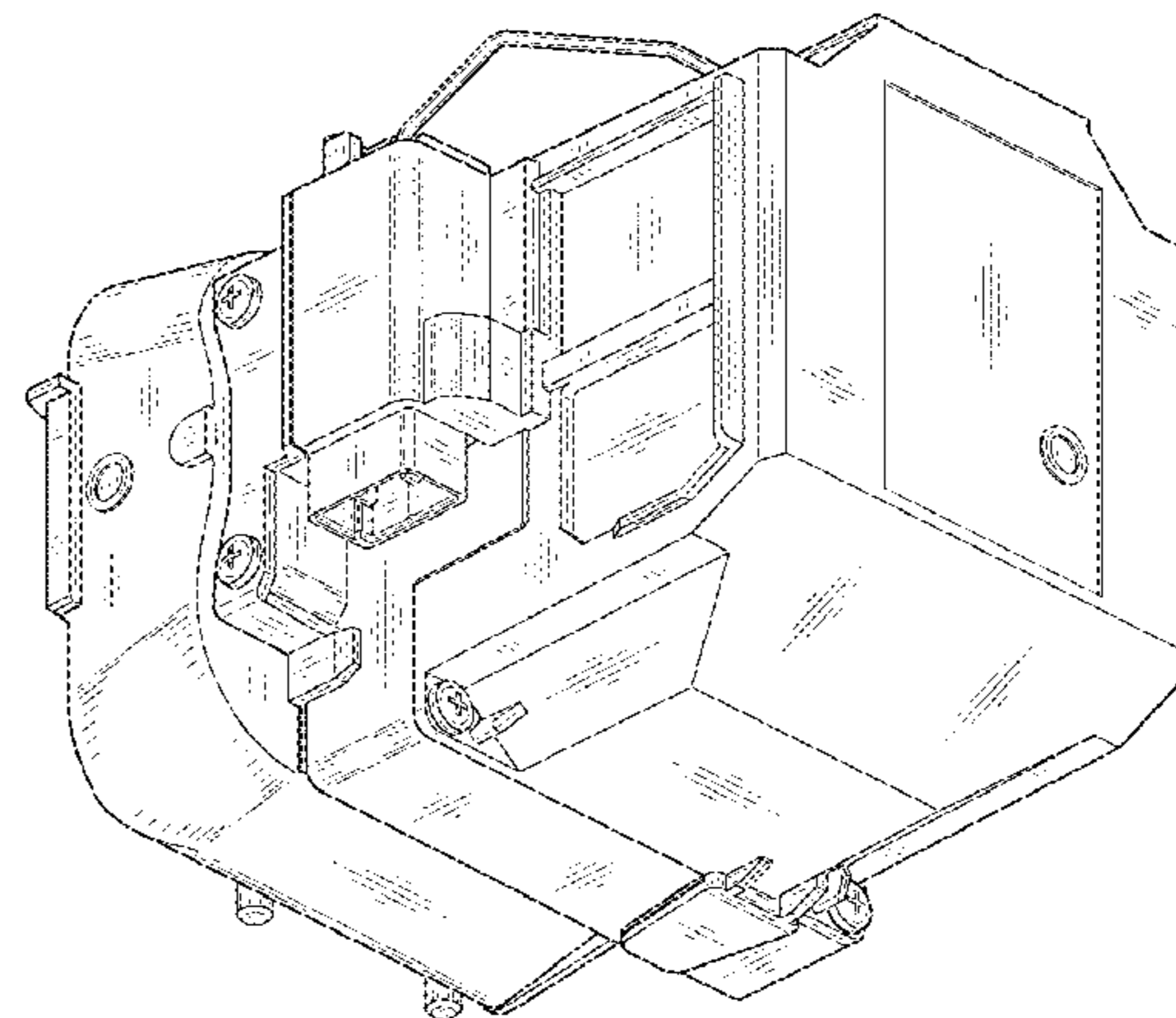
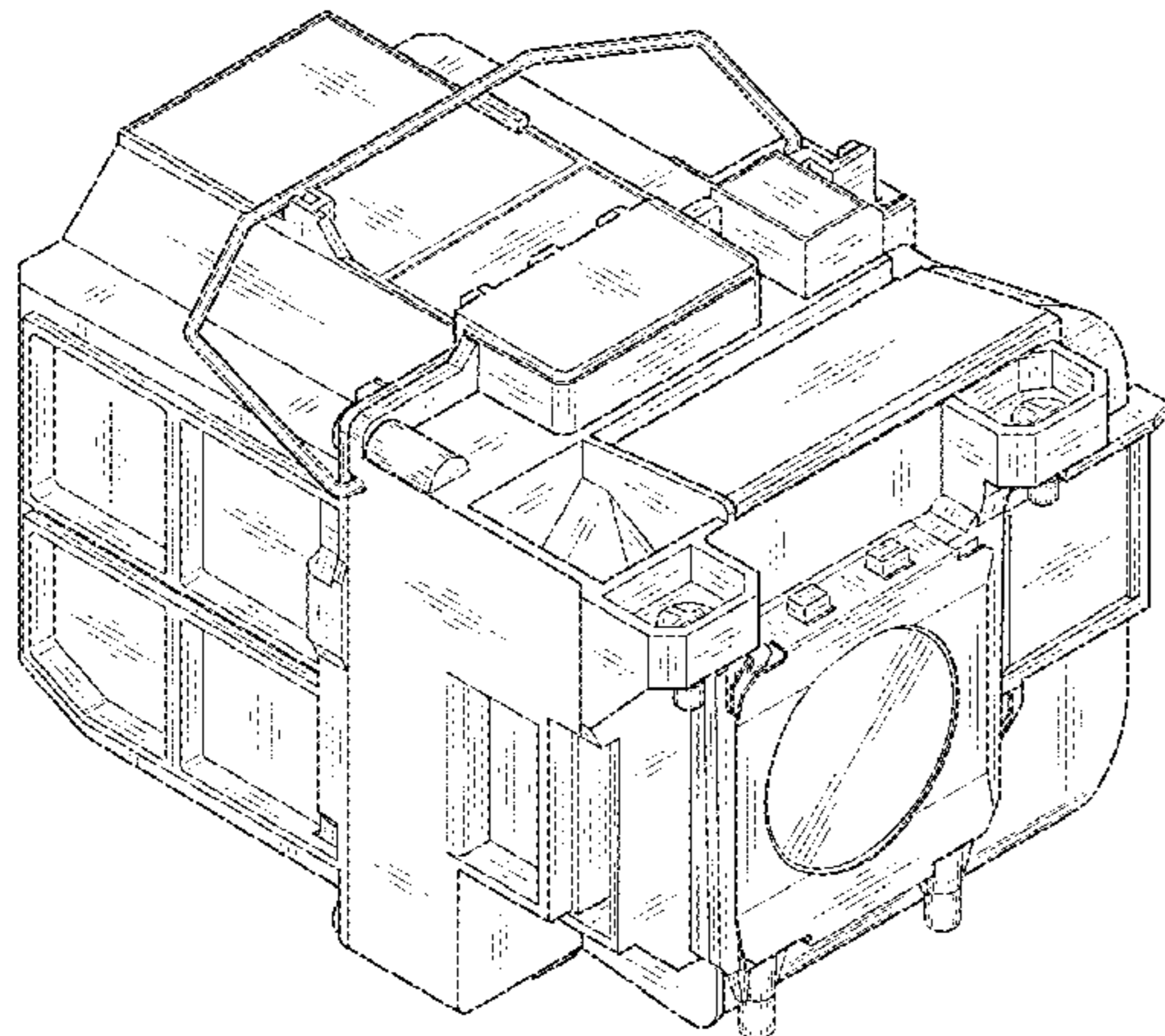
(57) **CLAIM**

The ornamental design for a lamp unit for projector, as shown and described.

**DESCRIPTION**

FIG. 1 is a top, front, left-side perspective view of a projector; FIG. 2 is a bottom, rear, right-side perspective view thereof; FIG. 3 is front view thereof; FIG. 4 is a rear view thereof; FIG. 5 is a left-side view thereof; FIG. 6 is a right-side view thereof; FIG. 7 is a top view thereof; and, FIG. 8 is a bottom view thereof.

**1 Claim, 5 Drawing Sheets**



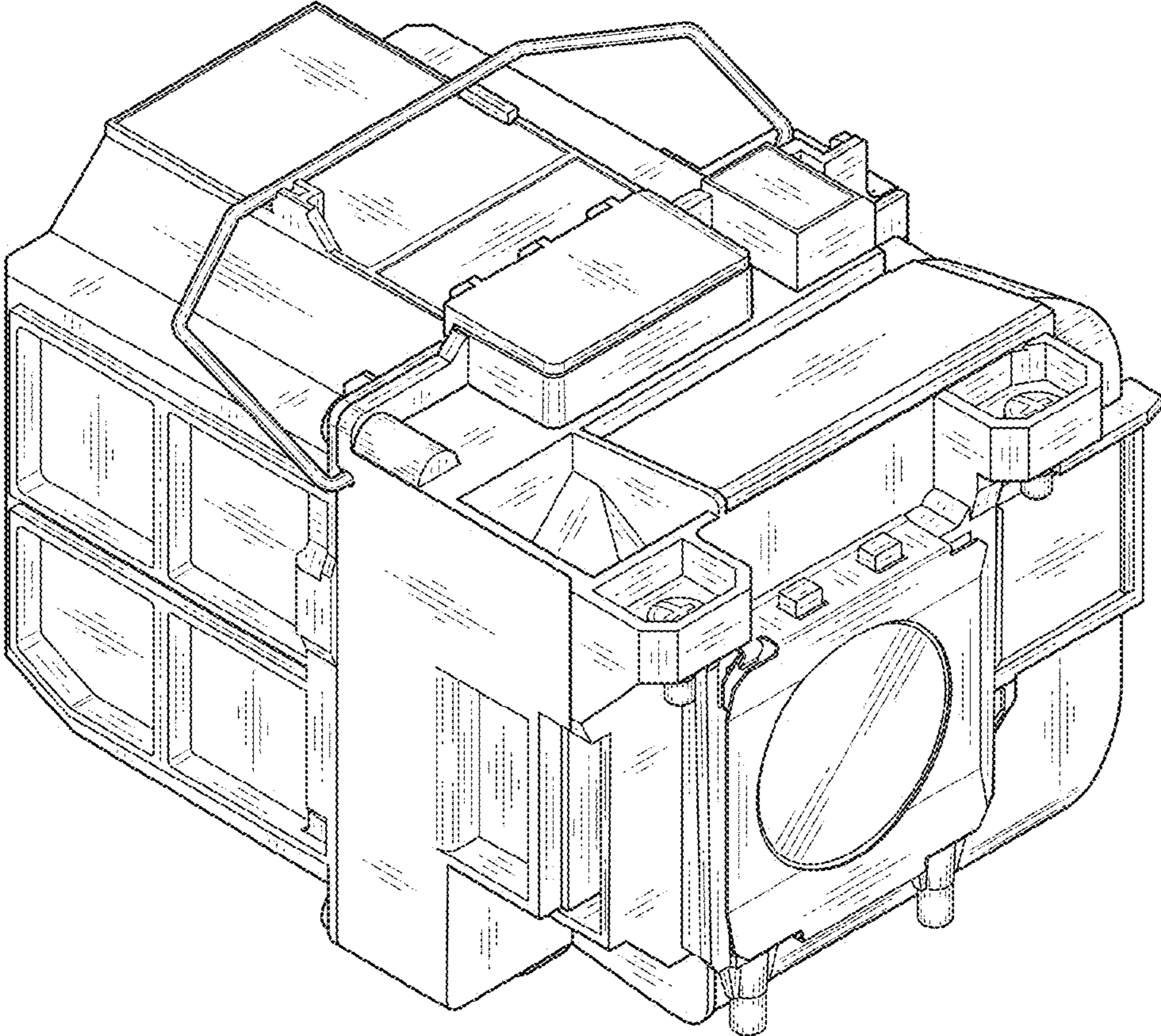


FIG. 1

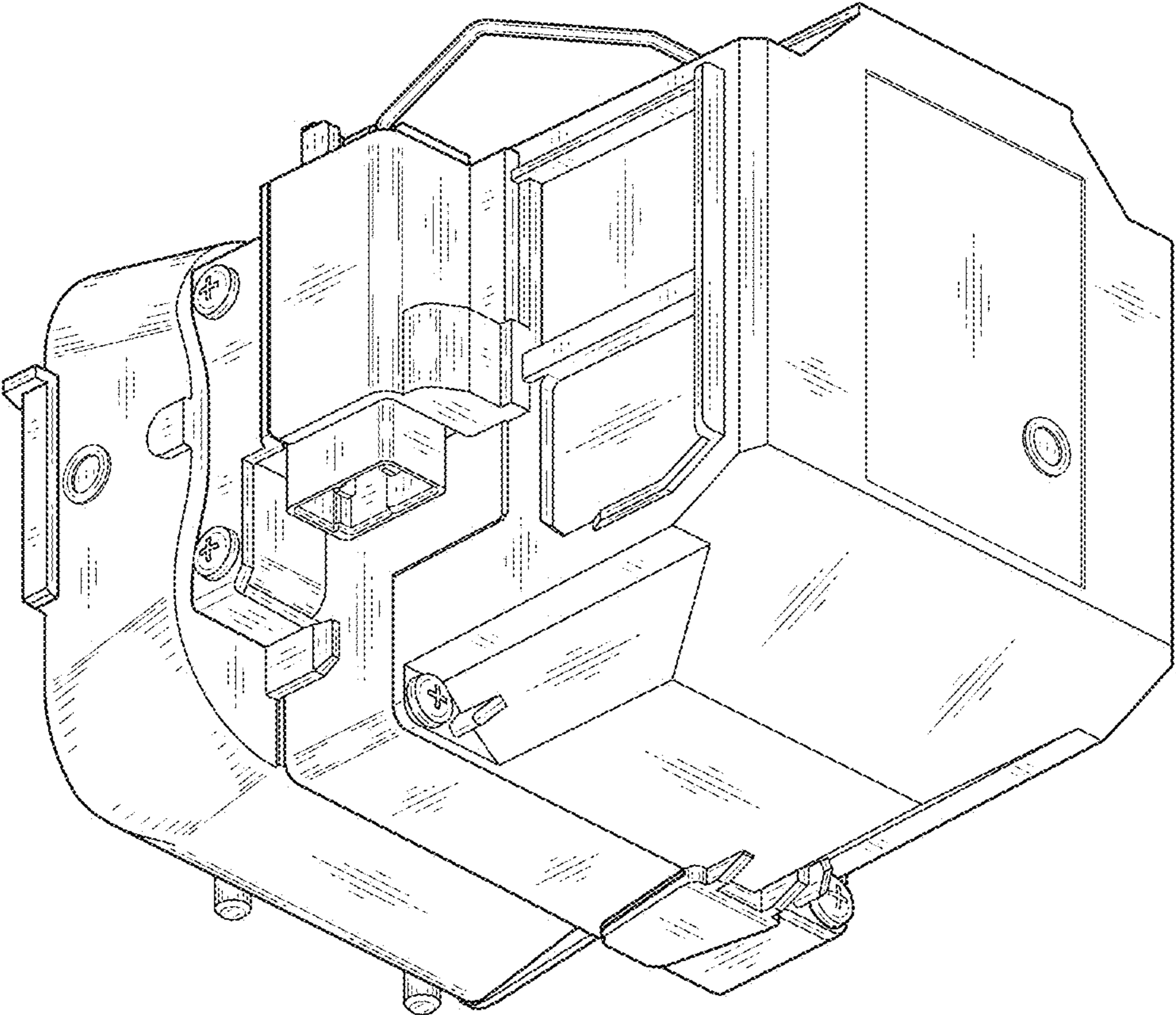


FIG. 2



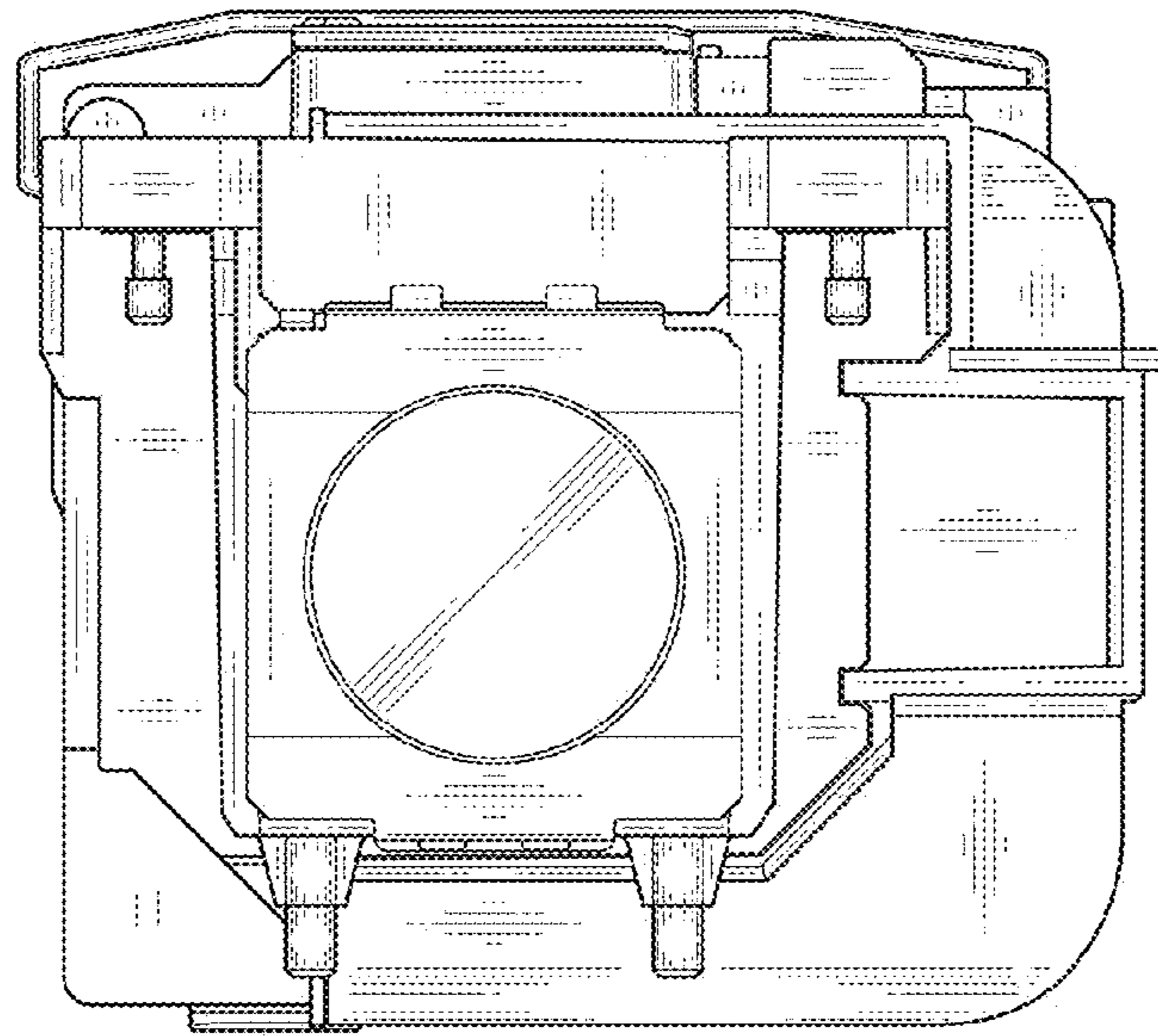


FIG. 3

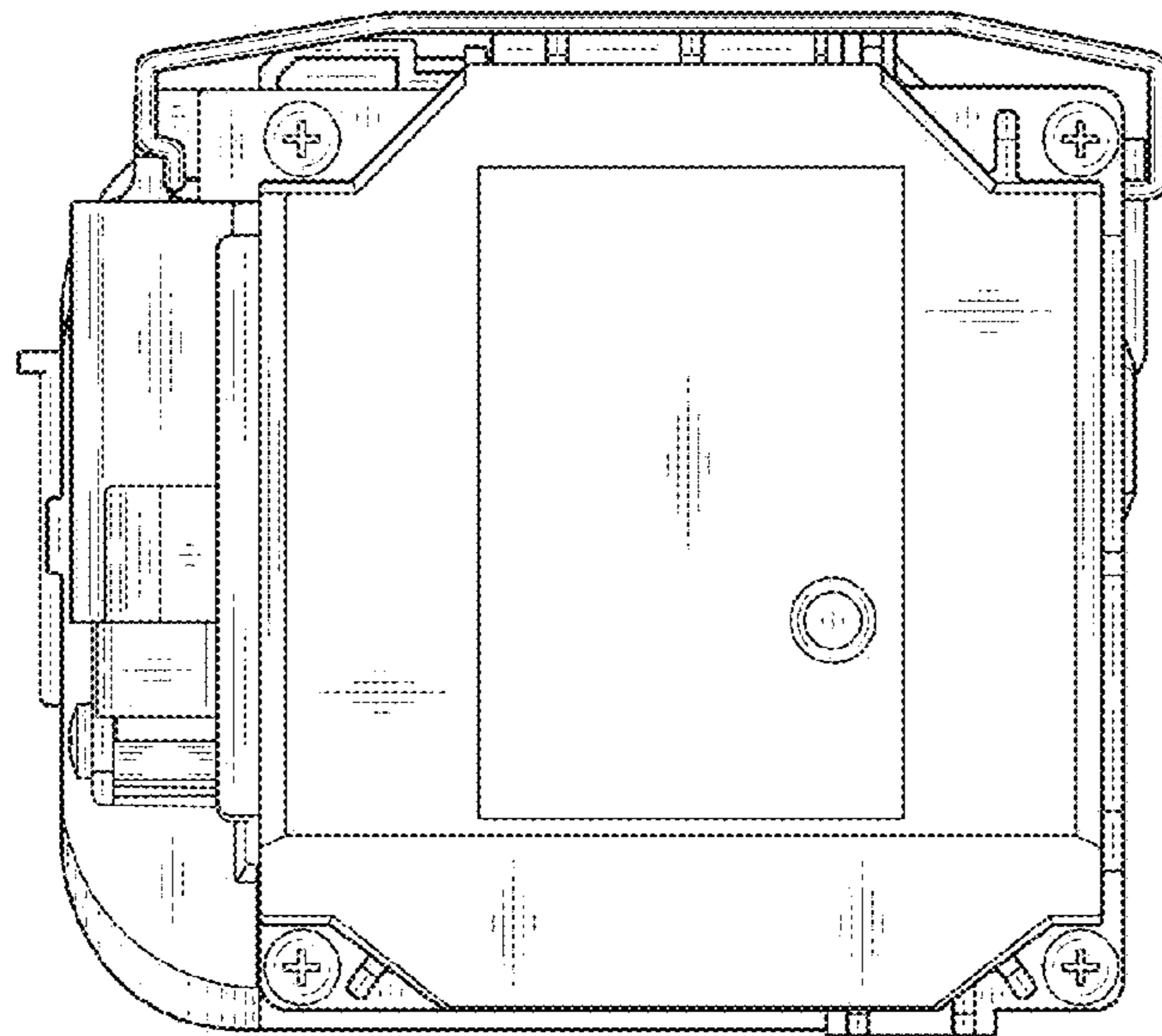


FIG. 4

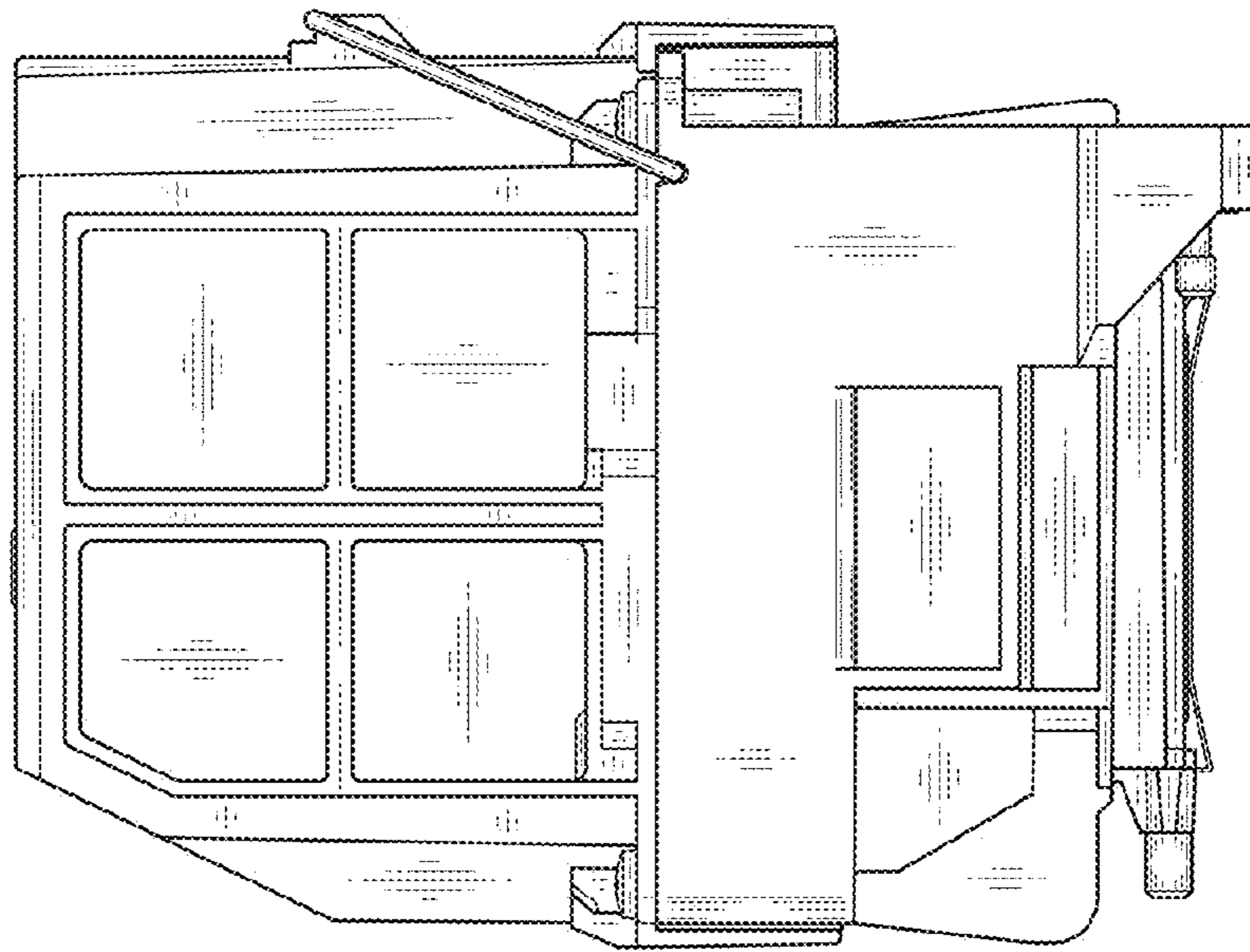


FIG. 5

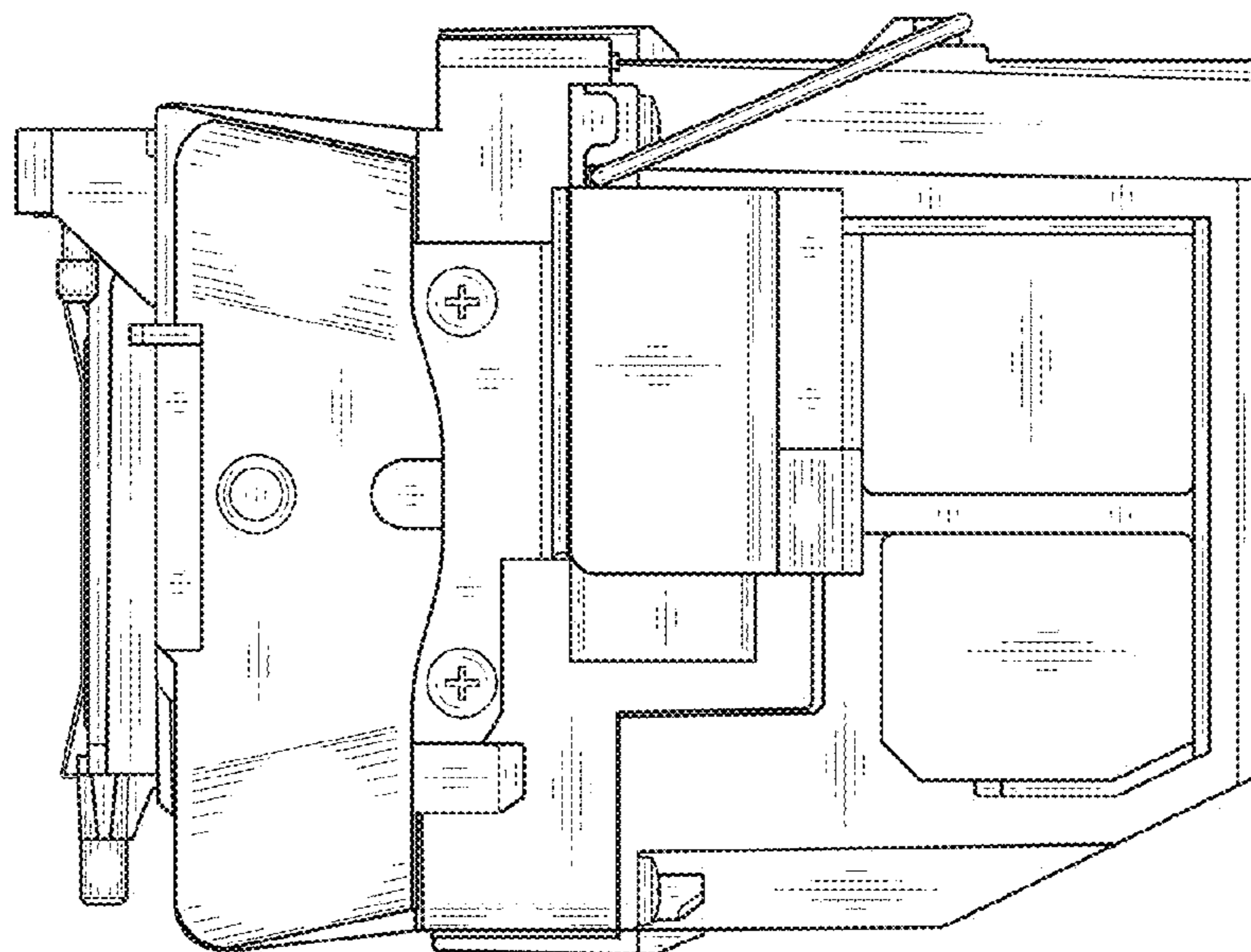


FIG. 6

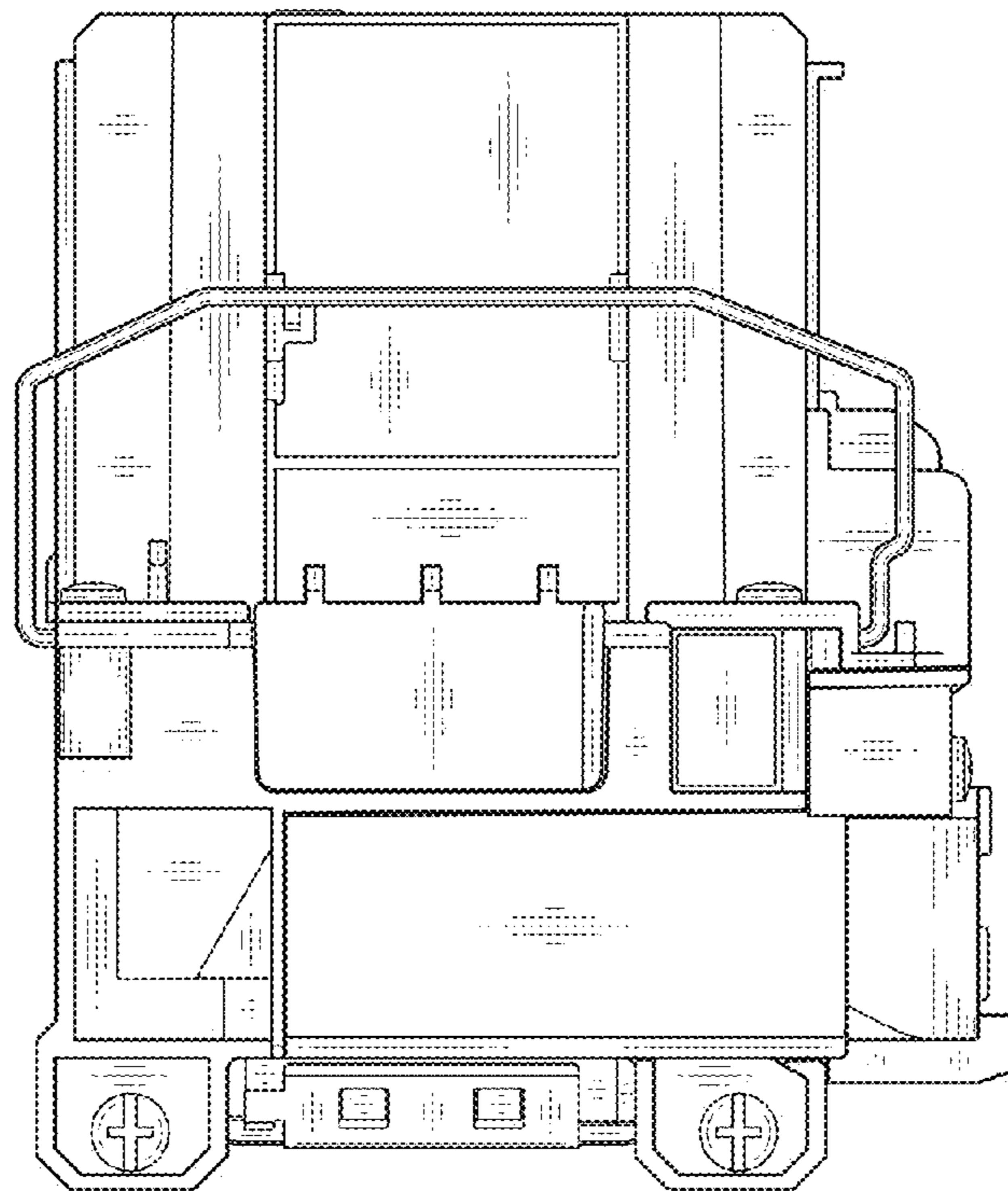


FIG. 7

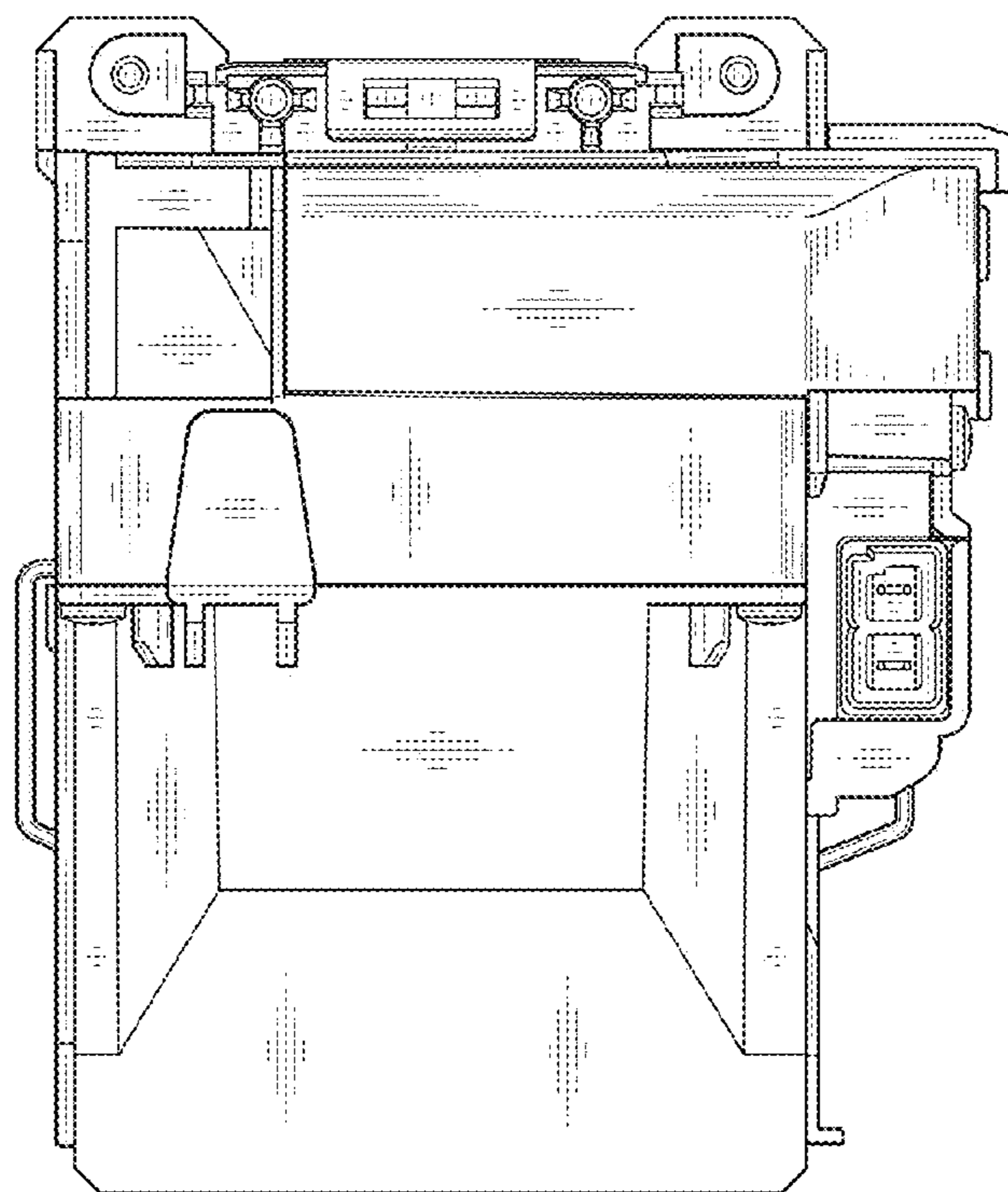


FIG. 8