

US00D686269S

(12) **United States Design Patent**
Kumagai

(10) **Patent No.:** **US D686,269 S**
(45) **Date of Patent:** **** Jul. 16, 2013**

(54) **PROJECTOR**

(75) Inventor: **Yoshiaki Kumagai**, Tokyo (JP)

(73) Assignee: **Sony Corporation**, Tokyo (JP)

(**) Term: **14 Years**

(21) Appl. No.: **29/371,949**

(22) Filed: **Feb. 9, 2012**

(30) **Foreign Application Priority Data**

Aug. 31, 2011 (JP) D2011-019751

(51) **LOC (9) Cl.** **16-02**

(52) **U.S. Cl.**

USPC **D16/235**

(58) **Field of Classification Search**

USPC D16/200-203, 221, 225, 230-232,
D16/234-235; D21/514; 353/39, 115, 119,
353/122

See application file for complete search history.

(56) **References Cited**

U.S. PATENT DOCUMENTS

D565,631 S * 4/2008 Morishita D16/235
D623,678 S * 9/2010 Nakayama et al. D16/225
D633,121 S * 2/2011 Renkis D16/203
2010/0321646 A1 * 12/2010 Nakano et al. 353/119

* cited by examiner

Primary Examiner — Wan Laymon

(74) *Attorney, Agent, or Firm* — Rader, Fishman & Grauer
PLLC

(57) **CLAIM**

The ornamental design for a projector, as shown and described.

DESCRIPTION

FIG. 1 is a perspective view of a projector showing my new design; and

FIG. 2 is a front elevational view thereof.

FIG. 3 is a cross sectional view thereof along the line 3-3 of FIG. 2.

FIG. 4 is an enlarged cross sectional view thereof along the lines 4-4 and 4'-4' of FIG. 3; and,

FIG. 5 is a bottom plan view of the projector of FIG. 1.

The portions indicated in broken lines are for illustrative purposes only and form no part of the claimed design. Dot-dash broken lines define the boundaries of, but are not included in, the claimed design.

1 Claim, 4 Drawing Sheets

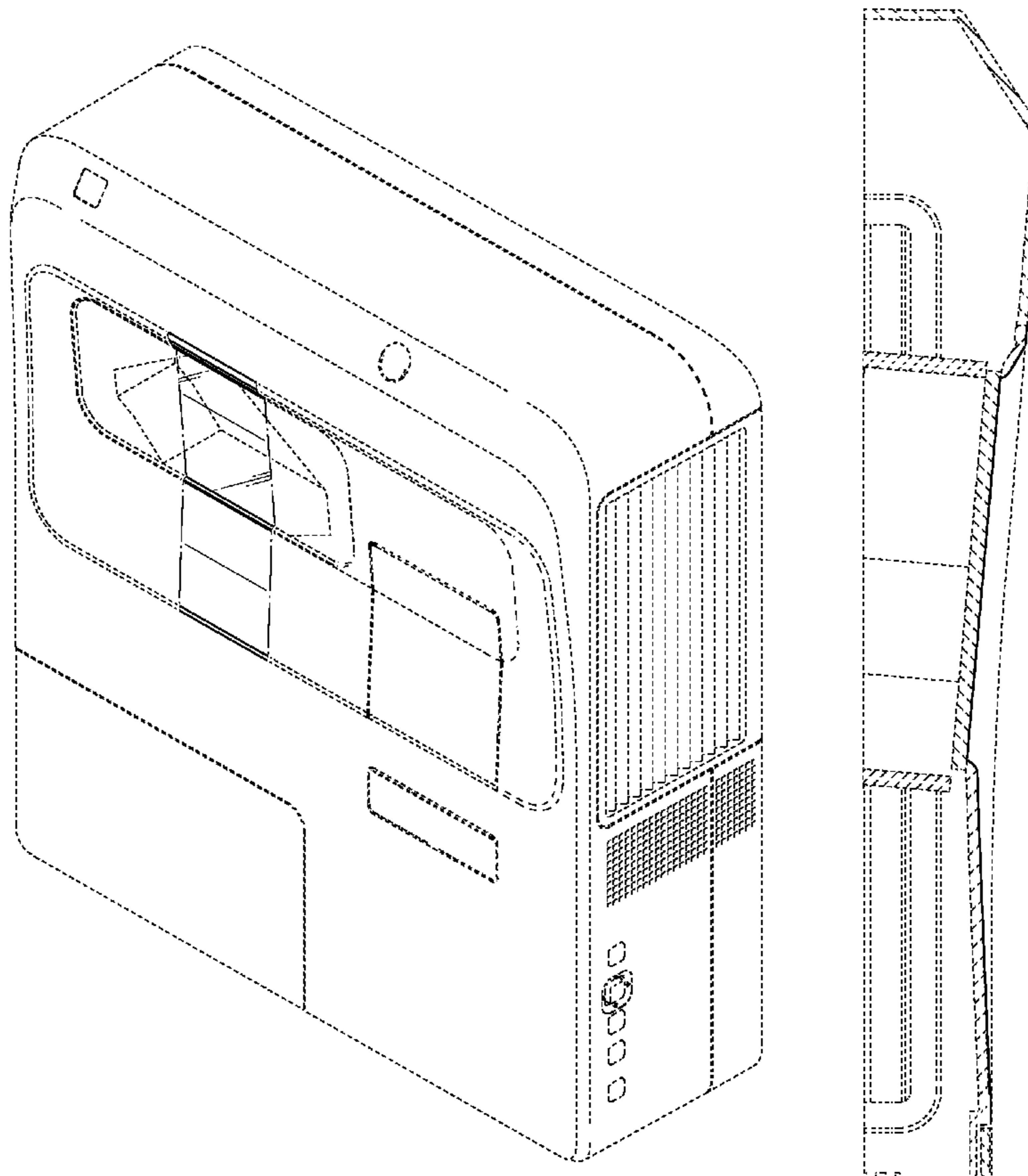


FIG.1

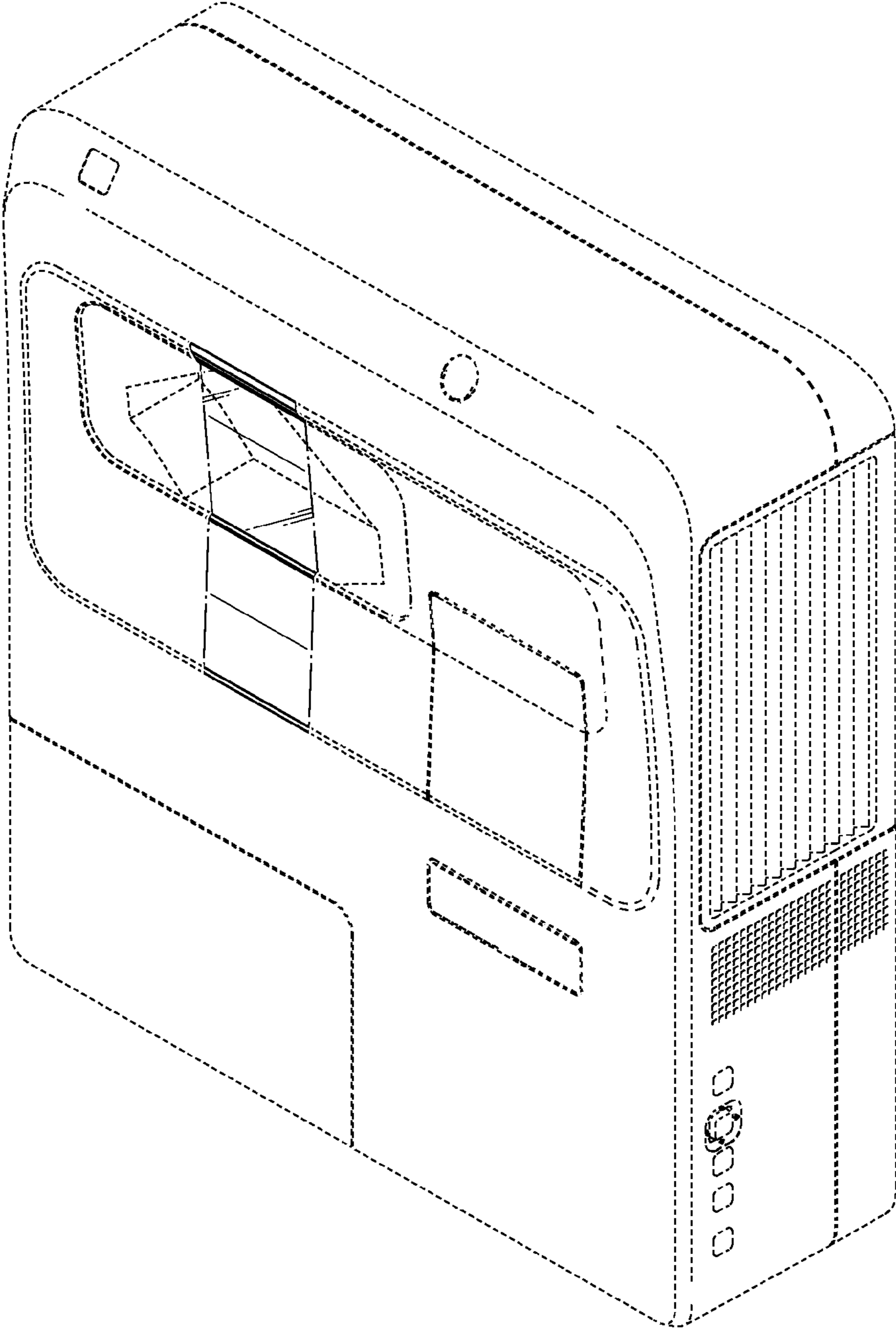


FIG.2

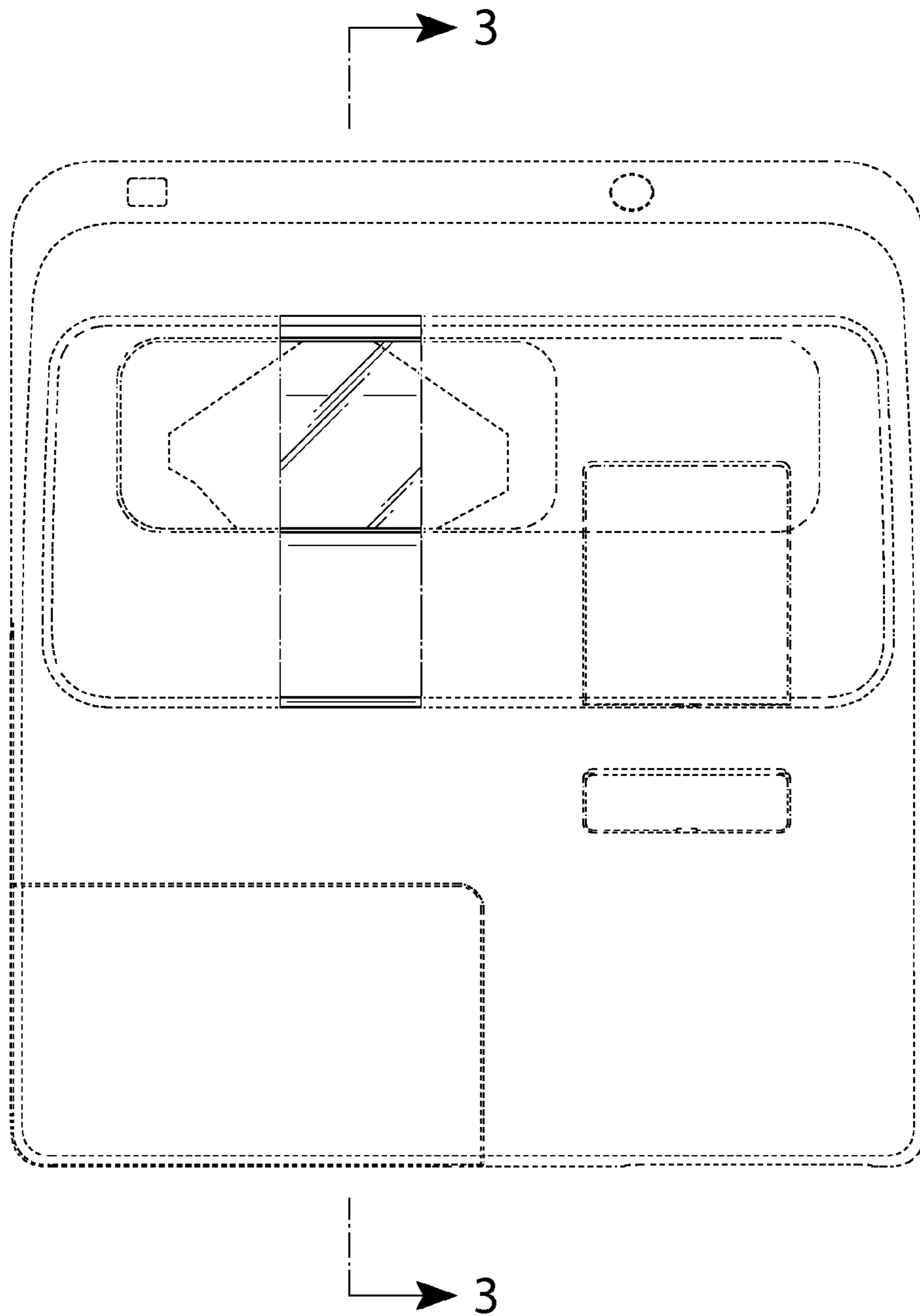


FIG.3

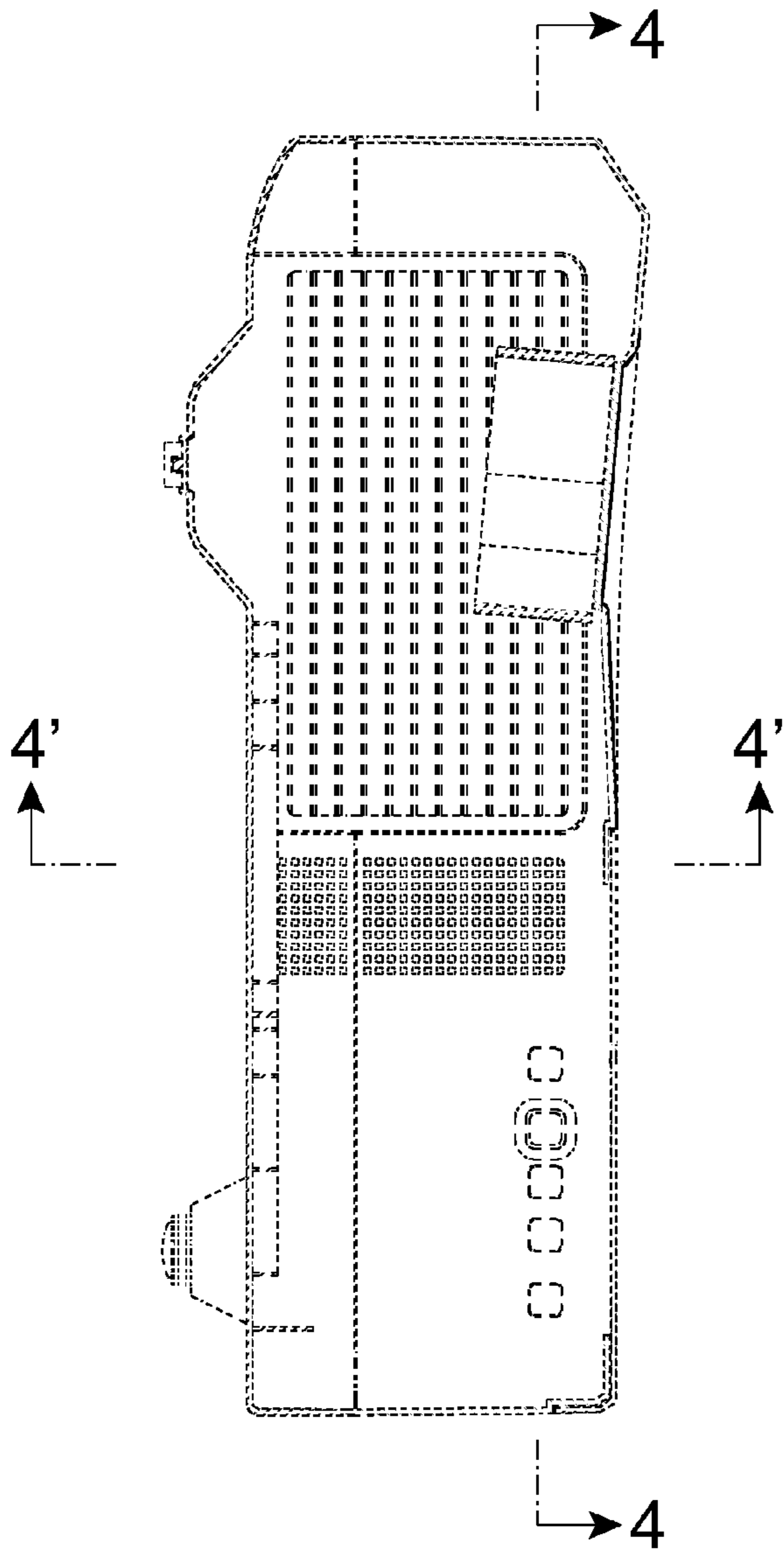


FIG.4

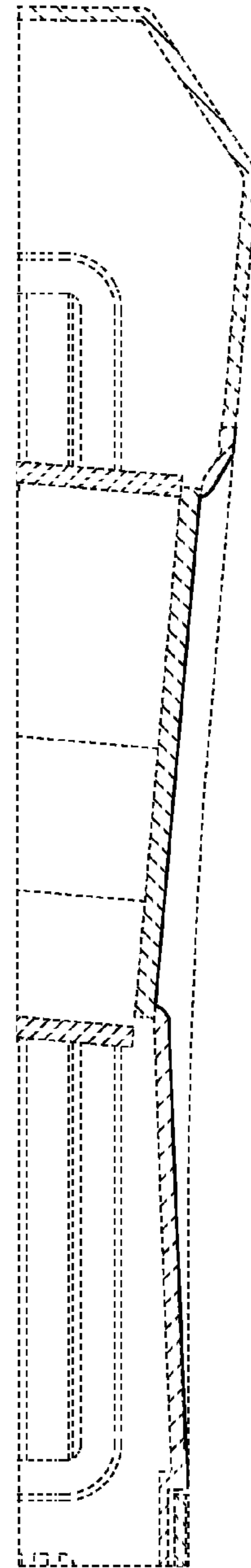


FIG.5

