



US00D686268S

(12) **United States Design Patent**
Dunn

(10) **Patent No.:** **US D686,268 S**
(45) **Date of Patent:** **** *Jul. 16, 2013**

(54) **DOCUMENT CAMERA**

(75) Inventor: **Steven Dunn**, Kansas City, MO (US)

(73) Assignee: **Ken-A-Vision Manufacturing Company, Inc.**, Kansas City, MO (US)

(*) Notice: This patent is subject to a terminal disclaimer.

(**) Term: **14 Years**

(21) Appl. No.: **29/405,289**

(22) Filed: **Oct. 31, 2011**

(51) **LOC (9) Cl.** **16-02**

(52) **U.S. Cl.**
USPC **D16/232**; D14/423

(58) **Field of Classification Search**
USPC D16/200, 208, 221, 225, 232; D14/420, D14/423; D26/60, 62, 63, 64, 65; 348/335, 348/345, 373, 376; 358/486; 382/106
See application file for complete search history.

(56) **References Cited**

U.S. PATENT DOCUMENTS

4,825,295	A *	4/1989	Ishikawa et al.	348/836
D305,228	S *	12/1989	Allgeier	D14/423
D364,388	S *	11/1995	Miyahara	D14/423
D374,020	S *	9/1996	Dunn	D16/131
D376,586	S *	12/1996	Shinano	D14/423
D386,157	S *	11/1997	Hasegawa	D14/423
D397,709	S *	9/1998	Park et al.	D16/232
D407,517	S *	3/1999	Zeller	D26/60
D425,098	S *	5/2000	Oh	D16/232
D426,239	S *	6/2000	Adachi	D14/420
D436,612	S *	1/2001	Geng	D16/232

6,496,244	B2 *	12/2002	Tseng et al.	355/21
D490,433	S *	5/2004	Moriya et al.	D14/423
D495,355	S *	8/2004	Mudd et al.	D16/232
D509,507	S *	9/2005	Myles et al.	D14/420
D524,977	S *	7/2006	Smith et al.	D26/60
7,245,441	B2 *	7/2007	Wu et al.	359/676
D602,970	S *	10/2009	Lee	D16/232
D612,851	S *	3/2010	Maruyama et al.	D14/423
D647,906	S *	11/2011	Shen	D14/423
2003/0128274	A1 *	7/2003	Dunn	348/79
2005/0168627	A1 *	8/2005	Yi et al.	348/373
2008/0062298	A1 *	3/2008	Yen et al.	348/333.07
2008/0258019	A1 *	10/2008	Wang et al.	248/136
2011/0157407	A1 *	6/2011	Lin et al.	348/222.1
2012/0274842	A1 *	11/2012	Cordes	348/373

* cited by examiner

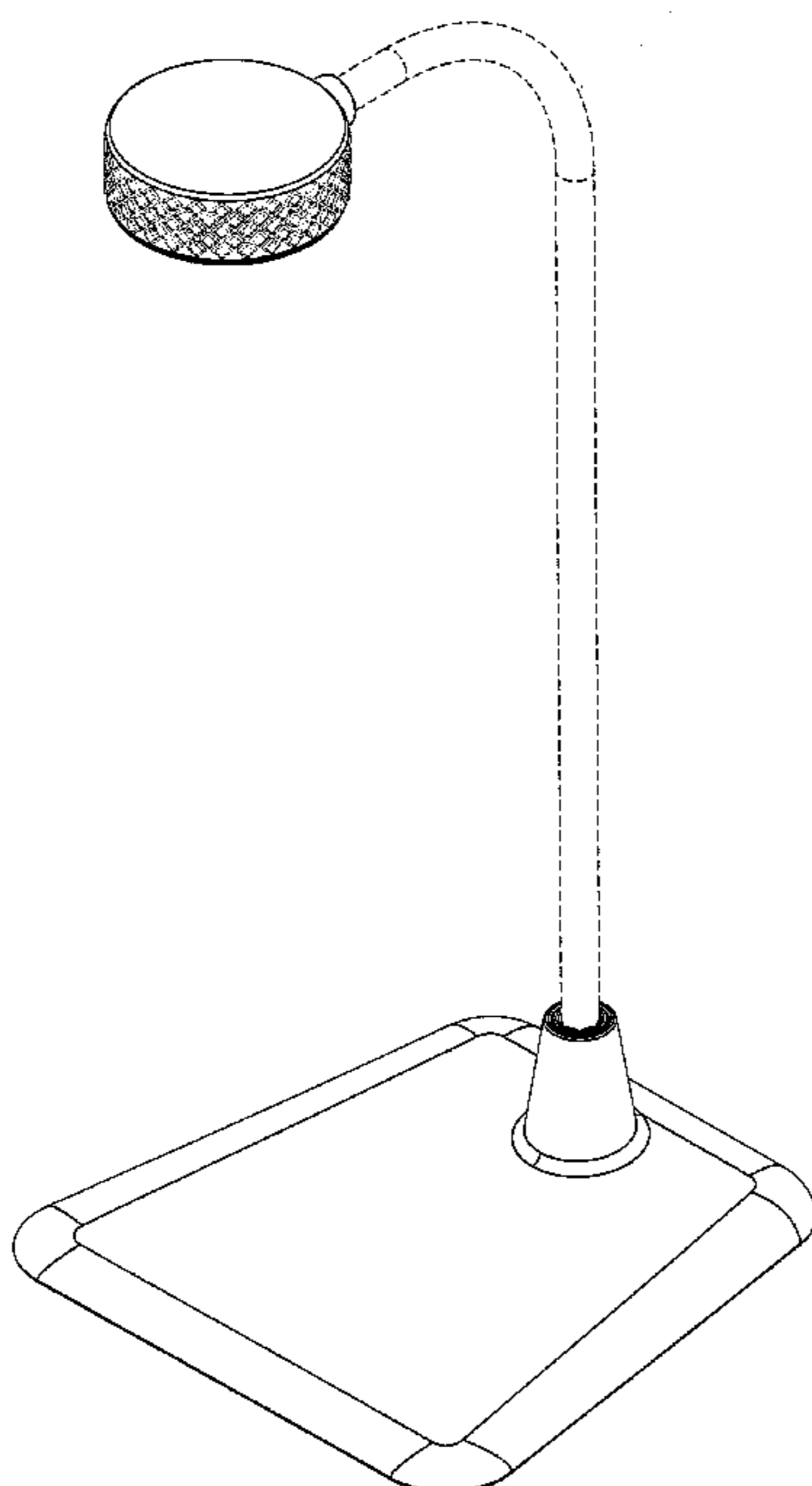
Primary Examiner — Philip S Hyder
Assistant Examiner — John T Applewhite
(74) *Attorney, Agent, or Firm* — Hovey Williams LLP

(57) **CLAIM**
The ornamental design for a document camera, as shown and described.

DESCRIPTION

FIG. 1 is a perspective view of a document camera embodying my design;
FIG. 2 is a front elevational view of the document camera;
FIG. 3 is a side elevational view of the document camera;
FIG. 4 is a rear elevational view of the document camera;
FIG. 5 is a top view of the document camera; and,
FIG. 6 is a bottom view of the document camera.
The broken lines shown illustrate unclaimed portions of the document camera.

1 Claim, 5 Drawing Sheets



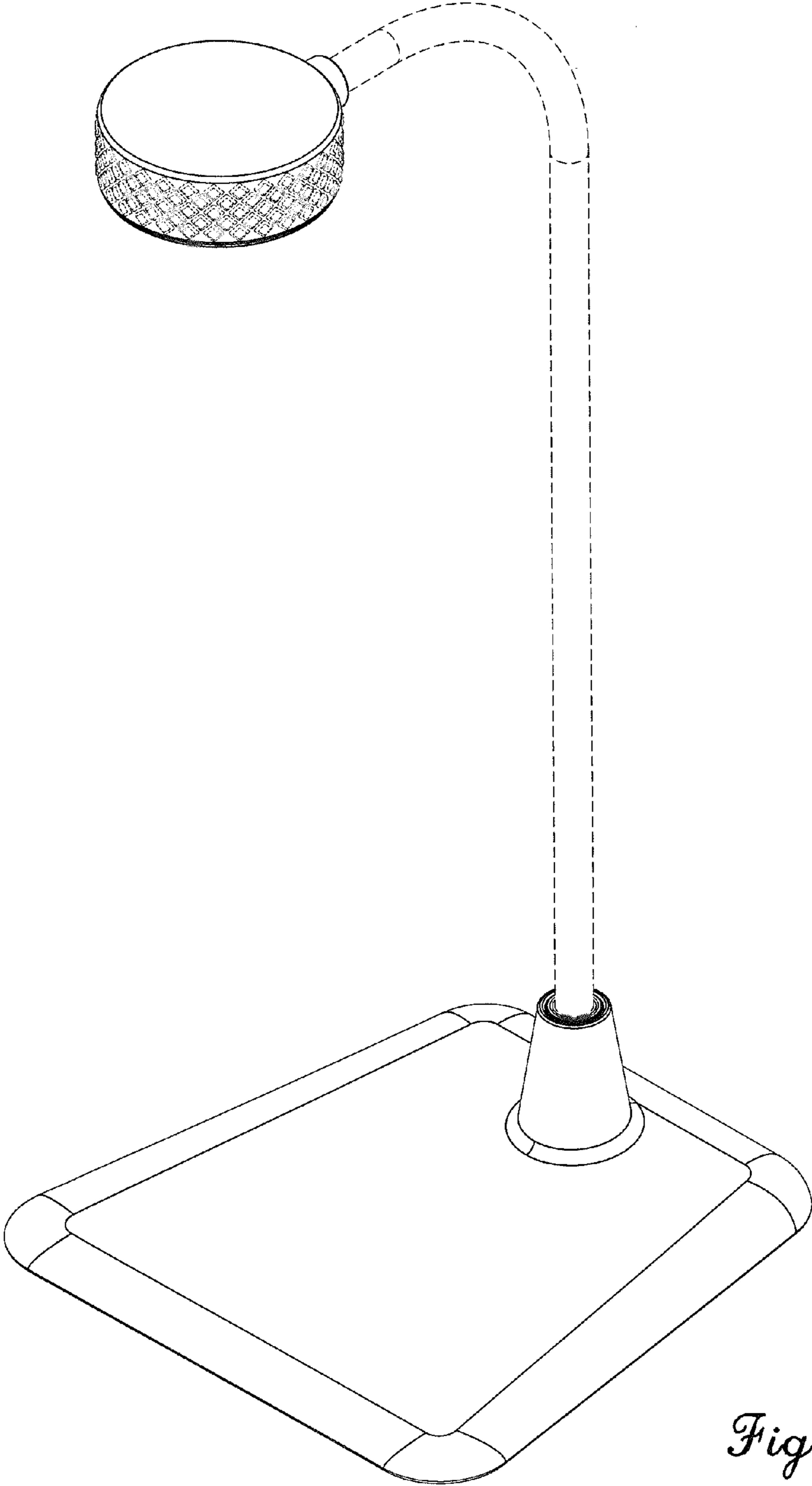


Fig. 1.

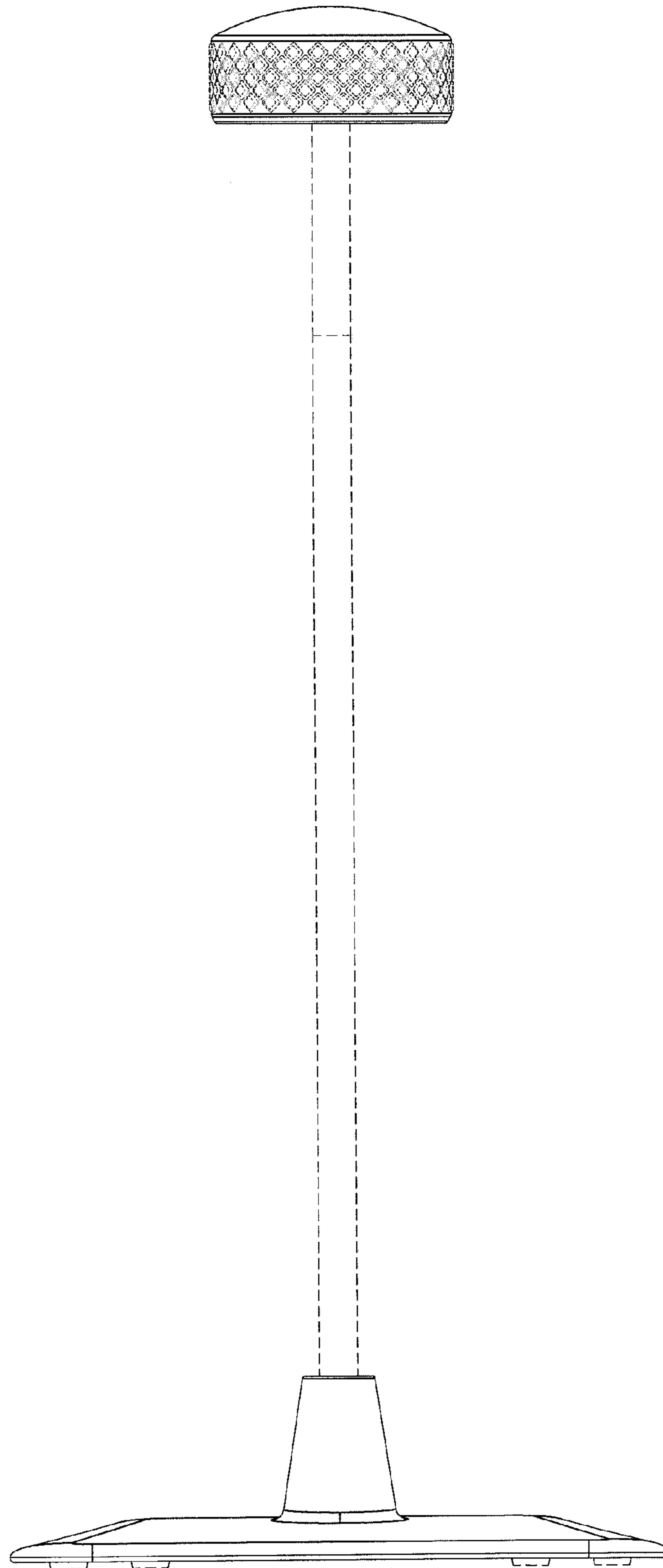


Fig. 2.

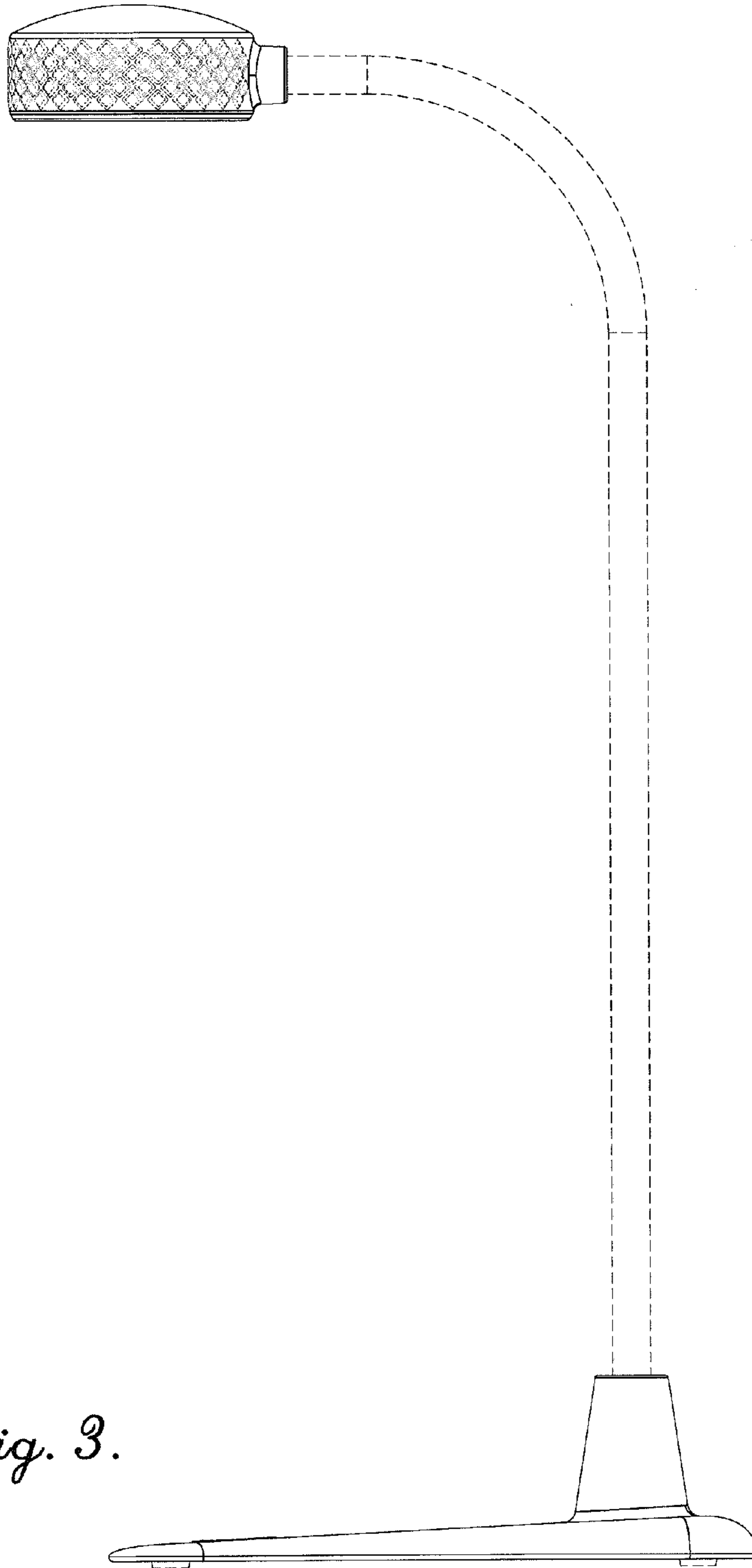


Fig. 3.

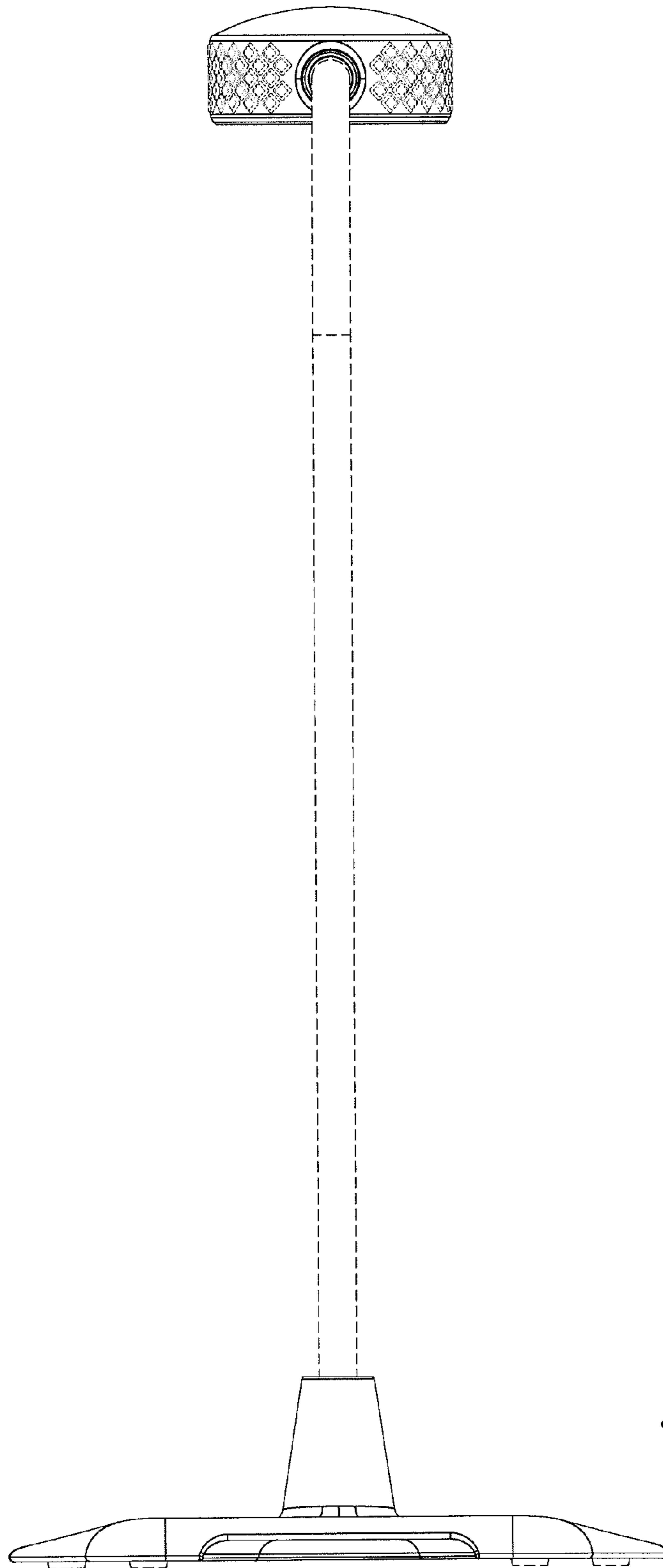


Fig. 4.

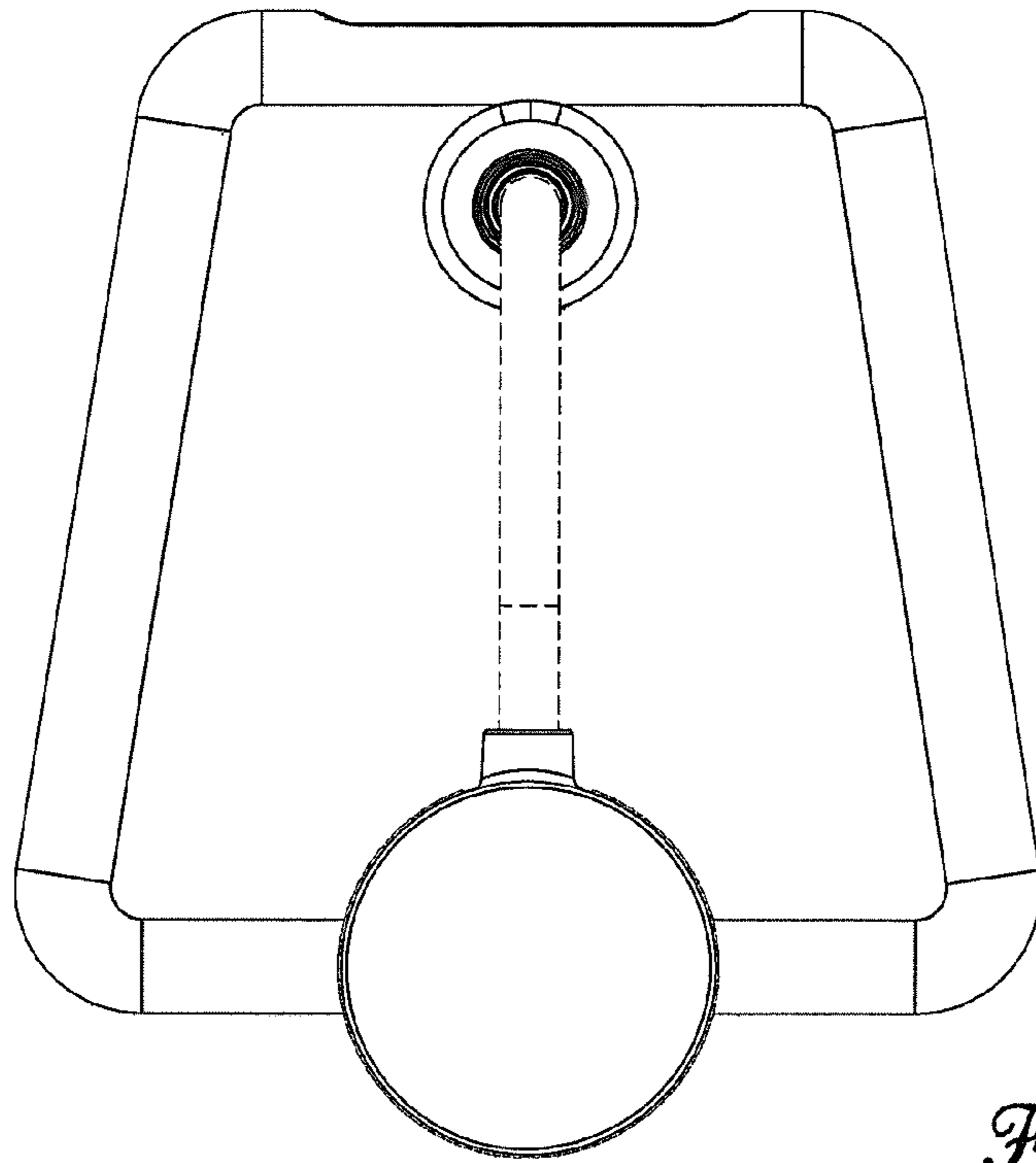


Fig. 5.

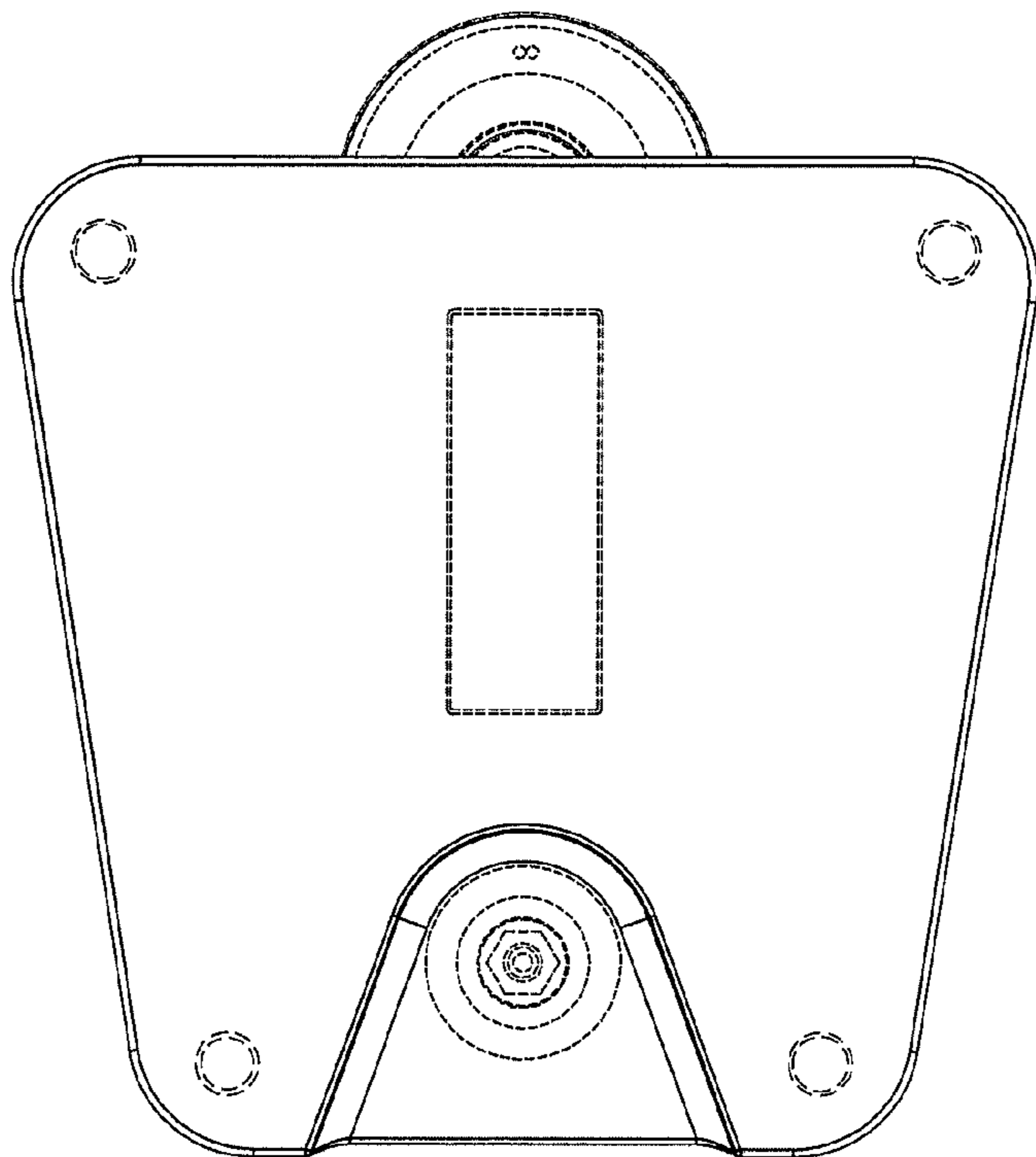


Fig. 6.