



US00D686264S

(12) **United States Design Patent**  
**Hoshi**

(10) **Patent No.:** **US D686,264 S**

(45) **Date of Patent:** **\*\* \*Jul. 16, 2013**

(54) **TELESCOPE**

(75) Inventor: **Tomohiro Hoshi**, Tokyo (JP)

(73) Assignee: **Nikon Corporation**, Tokyo (JP)

(\*) Notice: This patent is subject to a terminal disclaimer.

(\*\*) Term: **14 Years**

(21) Appl. No.: **29/413,276**

(22) Filed: **Feb. 14, 2012**

(30) **Foreign Application Priority Data**

Aug. 18, 2011 (JP) ..... 2011-018823

(51) **LOC (9) Cl.** ..... **16-06**

(52) **U.S. Cl.**  
USPC ..... **D16/132**

(58) **Field of Classification Search**  
USPC ..... D16/130, 132, 136; D13/133; 359/351,  
359/399, 409, 367, 407, 815, 420; 250/330,  
250/333, 338  
See application file for complete search history.

(56) **References Cited**

**U.S. PATENT DOCUMENTS**

2,051,050	A *	8/1936	Langsner	.....	359/426
D228,027	S *	7/1973	Heckel	.....	D16/132
D247,625	S *	3/1978	Huckenbeck	.....	D16/132
D273,960	S *	5/1984	Kummer	.....	D16/132
D274,336	S *	6/1984	Huckenbeck	.....	D16/132
D285,698	S *	9/1986	Ogasawara	.....	D16/132
D285,802	S *	9/1986	Ogasawara	.....	D16/132
4,669,833	A *	6/1987	Mise	.....	359/420
D300,039	S *	2/1989	Huckenbeck	.....	D16/132
D378,095	S *	2/1997	Hasegawa	.....	D16/203

5,737,131	A *	4/1998	Palmer	.....	359/819
5,760,953	A *	6/1998	Task et al.	.....	359/409
D407,369	S *	3/1999	Cormack	.....	D13/133
D417,680	S *	12/1999	Diebel et al.	.....	D16/132
D439,259	S *	3/2001	Yamaguchi	.....	D16/132
6,337,768	B1 *	1/2002	Carmi et al.	.....	359/399
7,648,291	B2 *	1/2010	Laganas et al.	.....	396/530
D654,879	S *	2/2012	Li et al.	.....	D13/170
D676,886	S *	2/2013	Hoshi	.....	D16/132

**FOREIGN PATENT DOCUMENTS**

JP 1371526 10/2009

\* cited by examiner

*Primary Examiner* — Paula Greene

(74) *Attorney, Agent, or Firm* — Wolf, Greenfield & Sacks, P.C.; Randy J. Pritzker

(57) **CLAIM**

The ornamental design for a telescope, as shown and described.

**DESCRIPTION**

FIG. 1 is a front, top, and left side perspective view of a telescope showing my new design;

FIG. 2 is a rear, bottom, and right side perspective view thereof;

FIG. 3 is a front view thereof;

FIG. 4 is a rear view thereof;

FIG. 5 is a top plan view thereof;

FIG. 6 is a bottom plan view thereof;

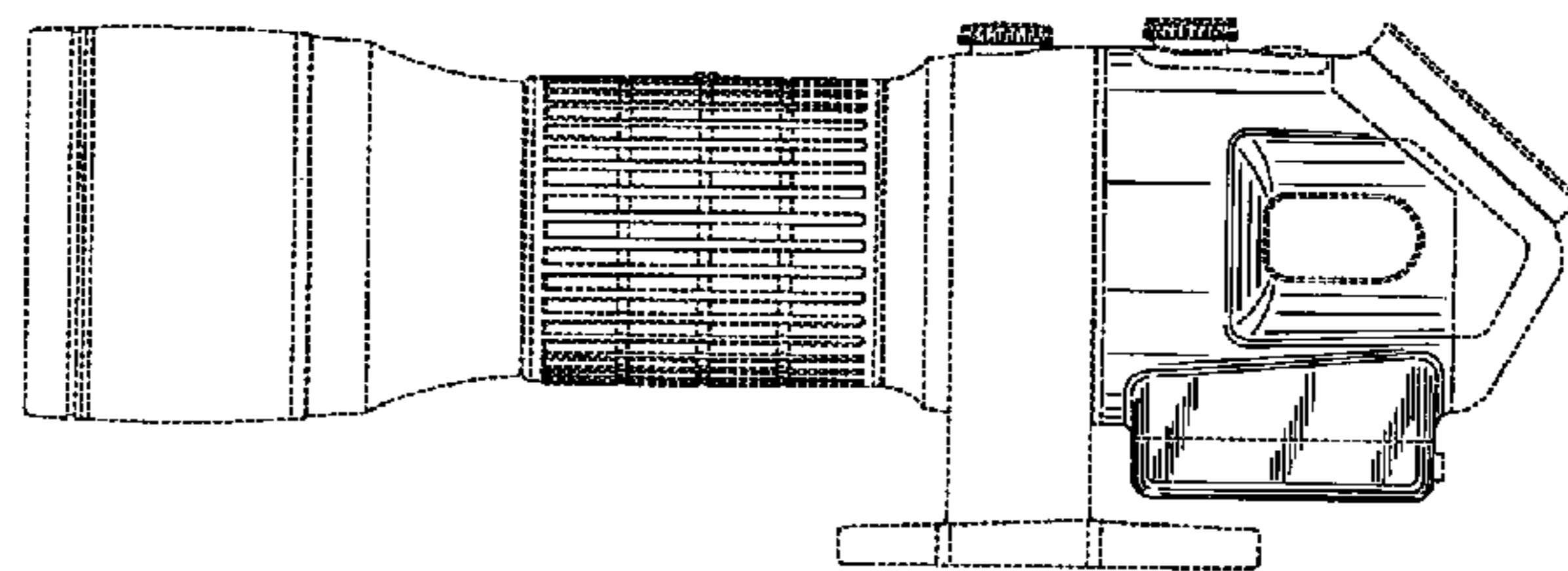
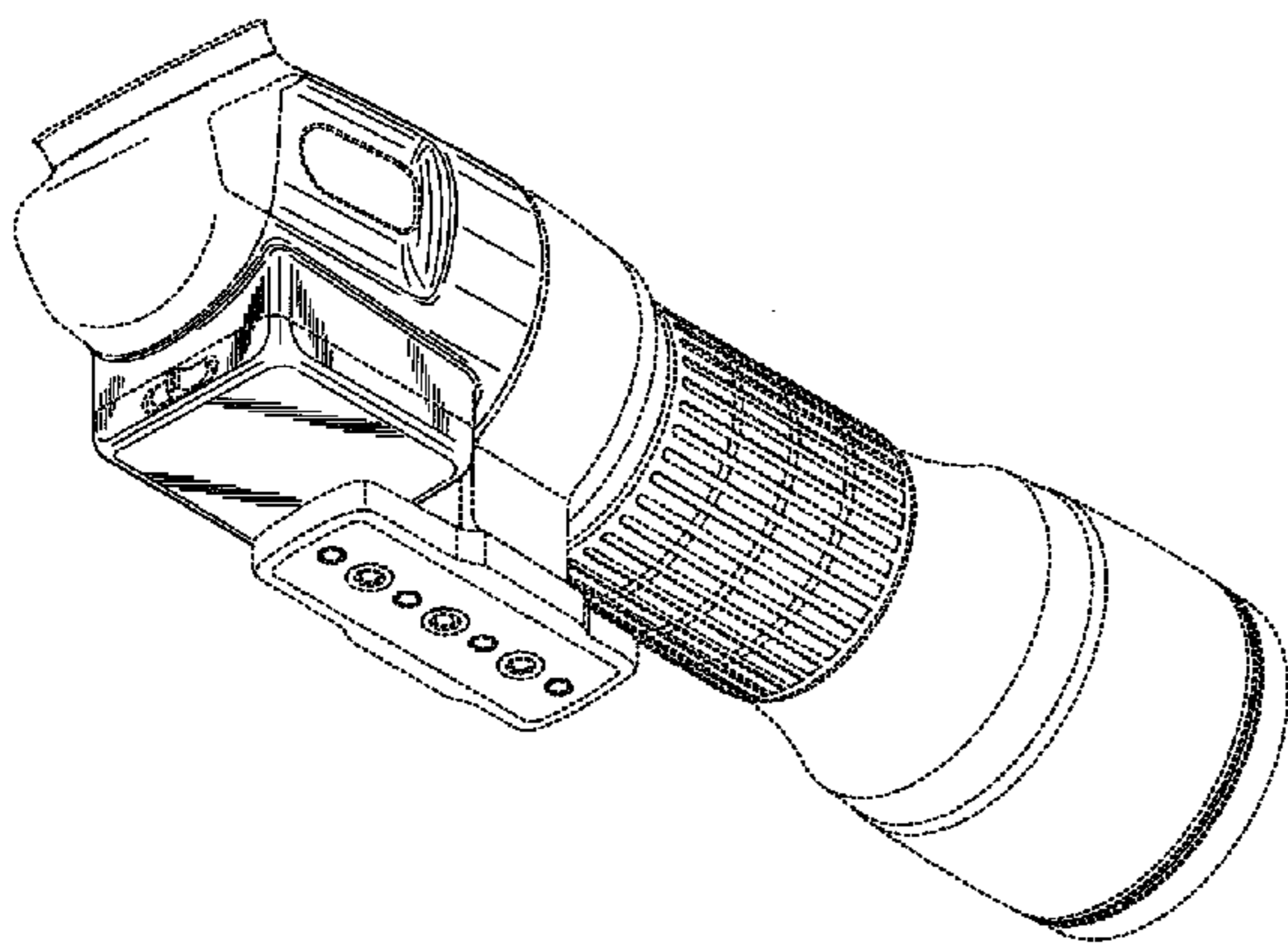
FIG. 7 is a right side view thereof; and,

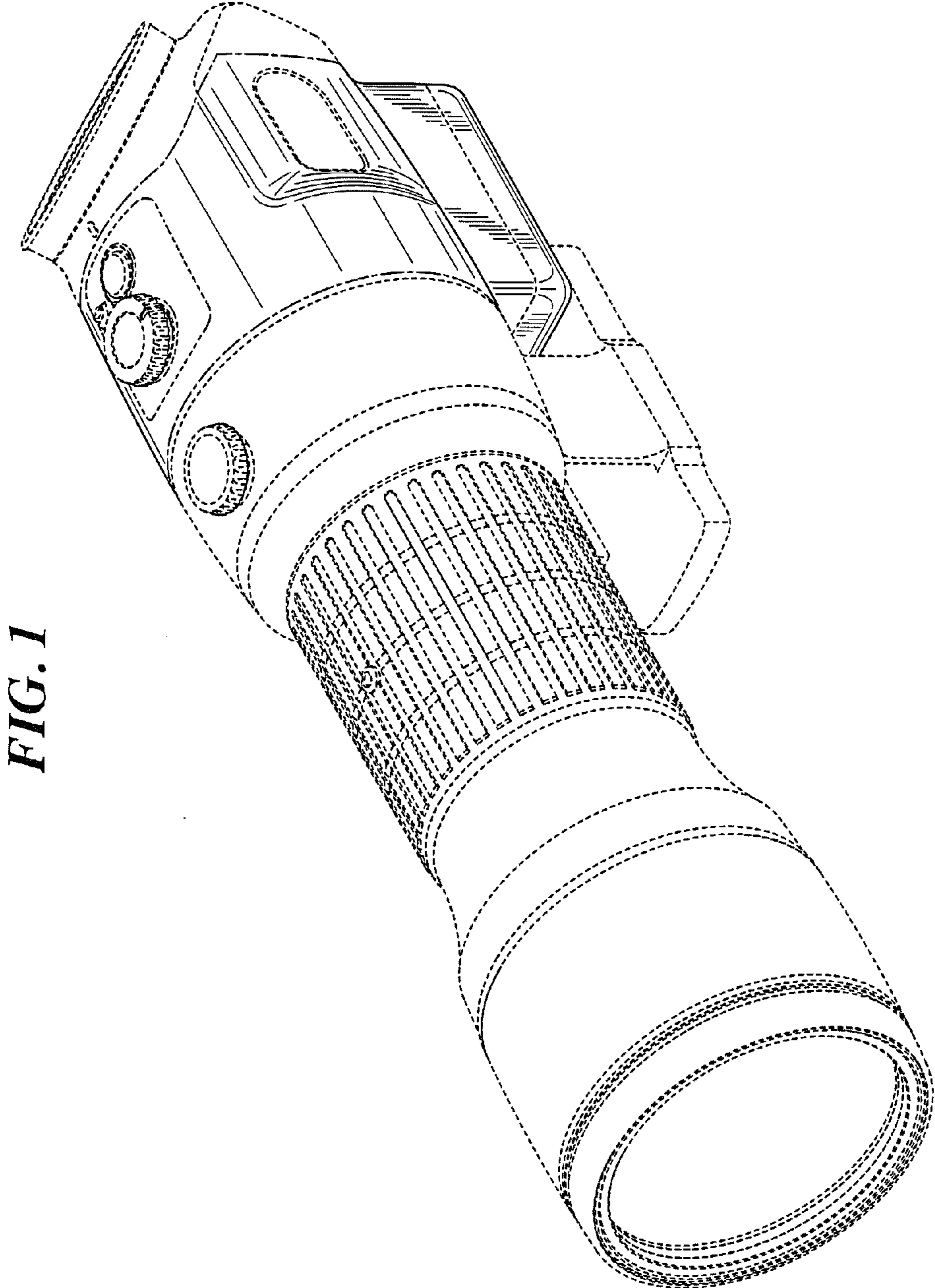
FIG. 8 is a left side view thereof.

The features shown in broken lines depict environmental subject matter only and form no part of the claimed design.

The dash-dotted lines denote the boundary of the claim and form no part of the claimed design.

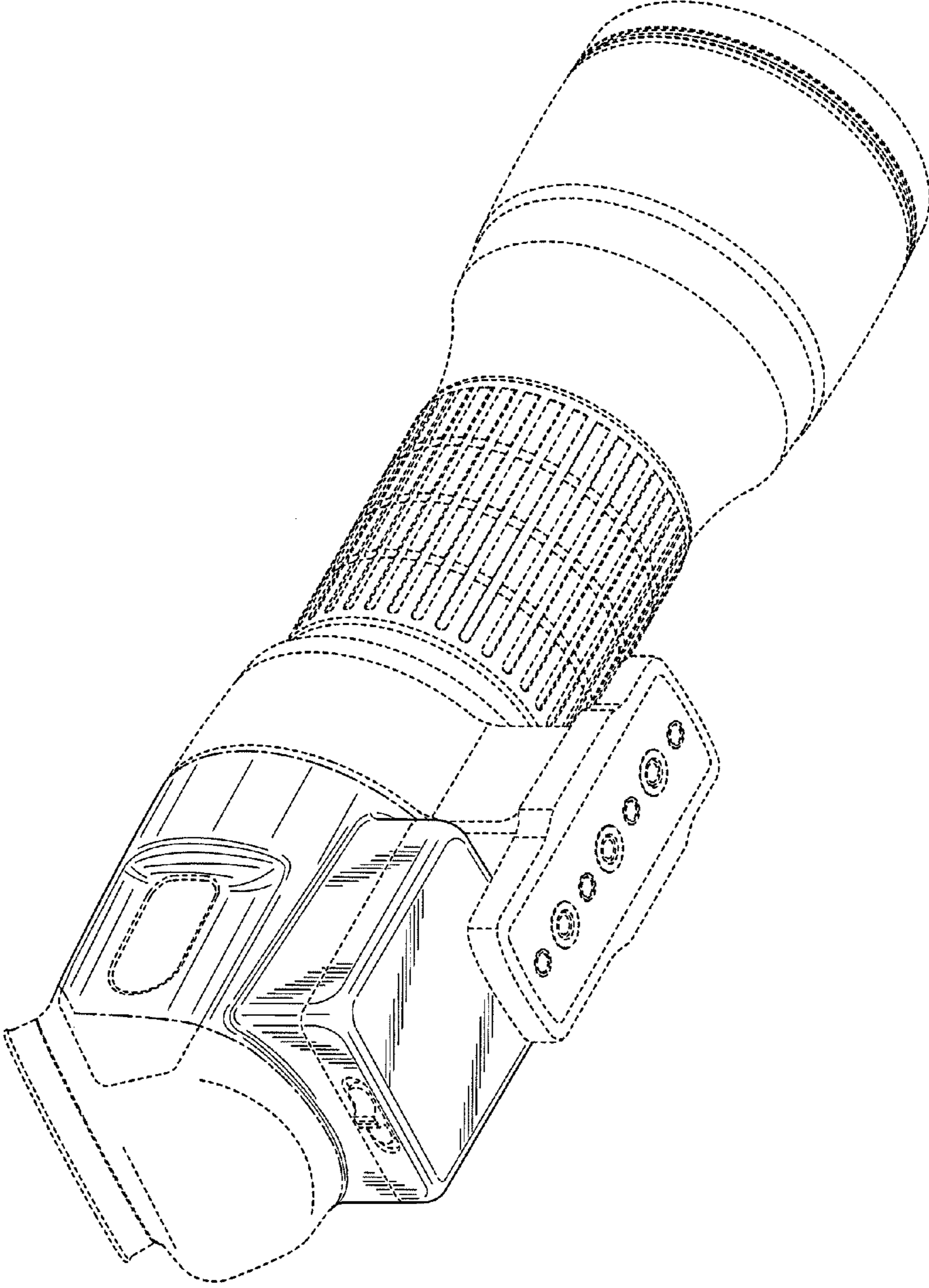
**1 Claim, 7 Drawing Sheets**



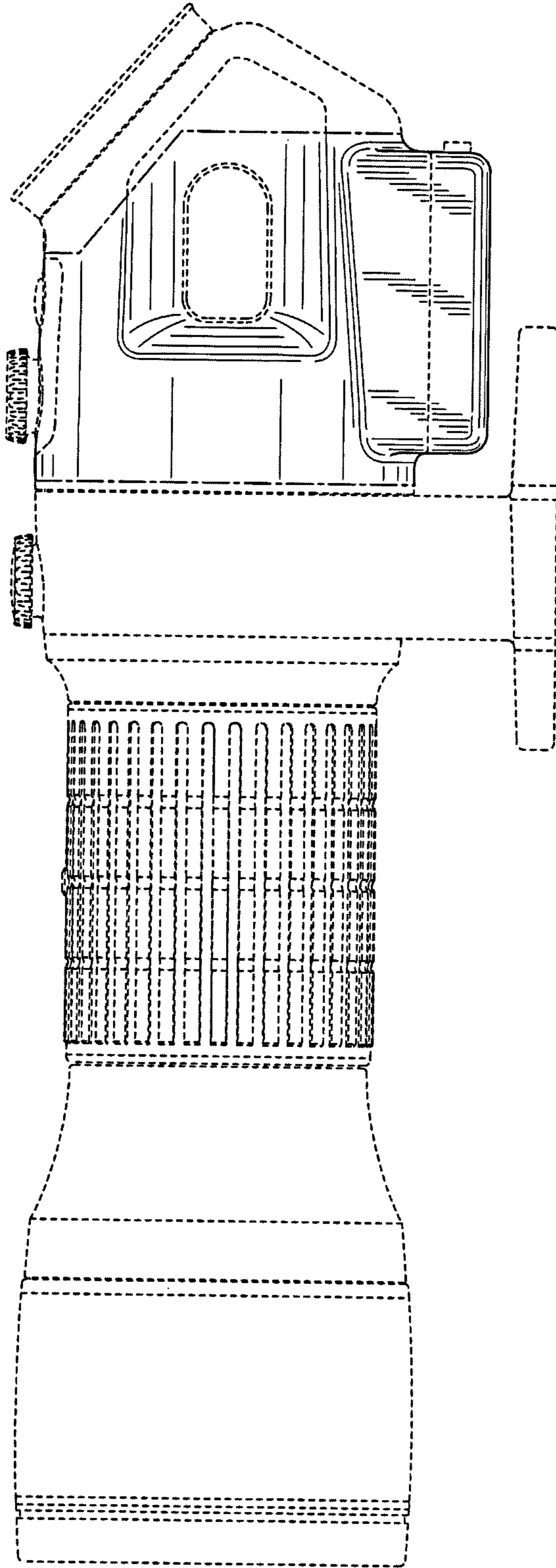


**FIG. 1**

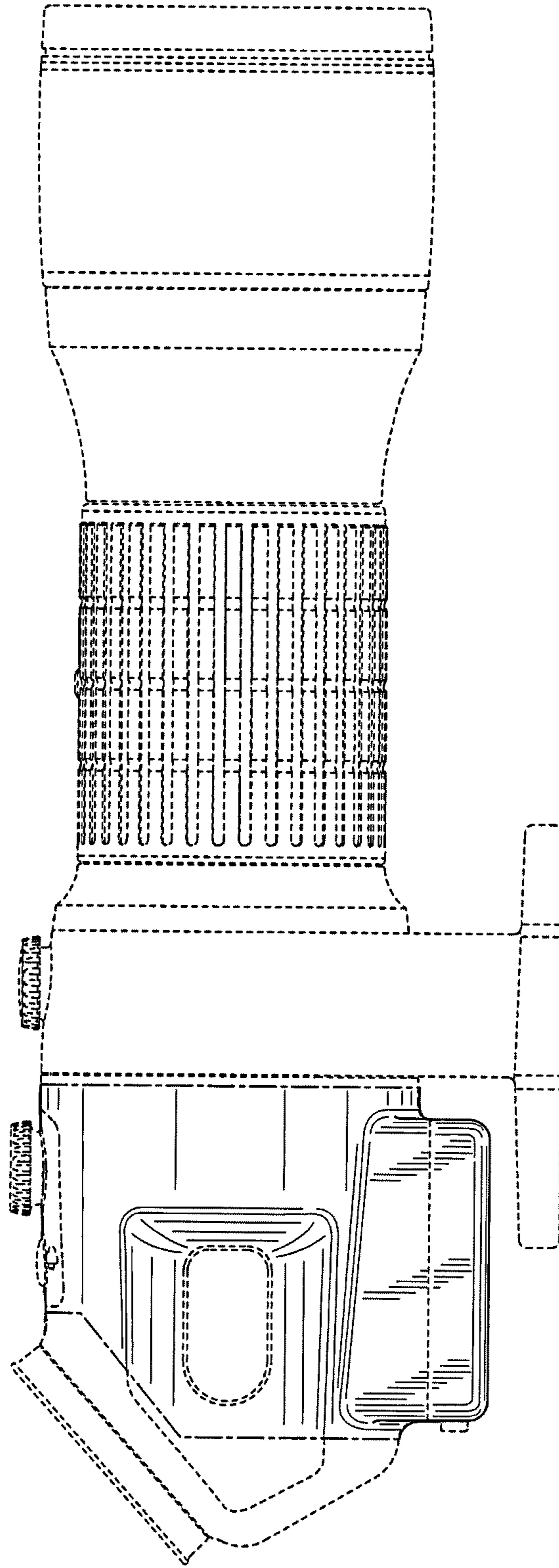
**FIG. 2**



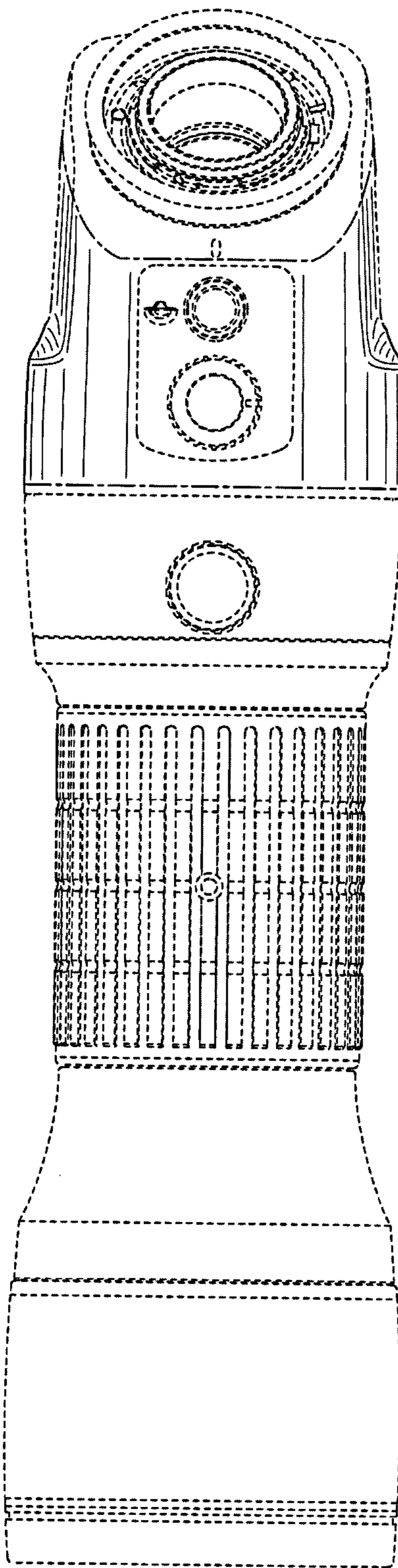
**FIG. 3**



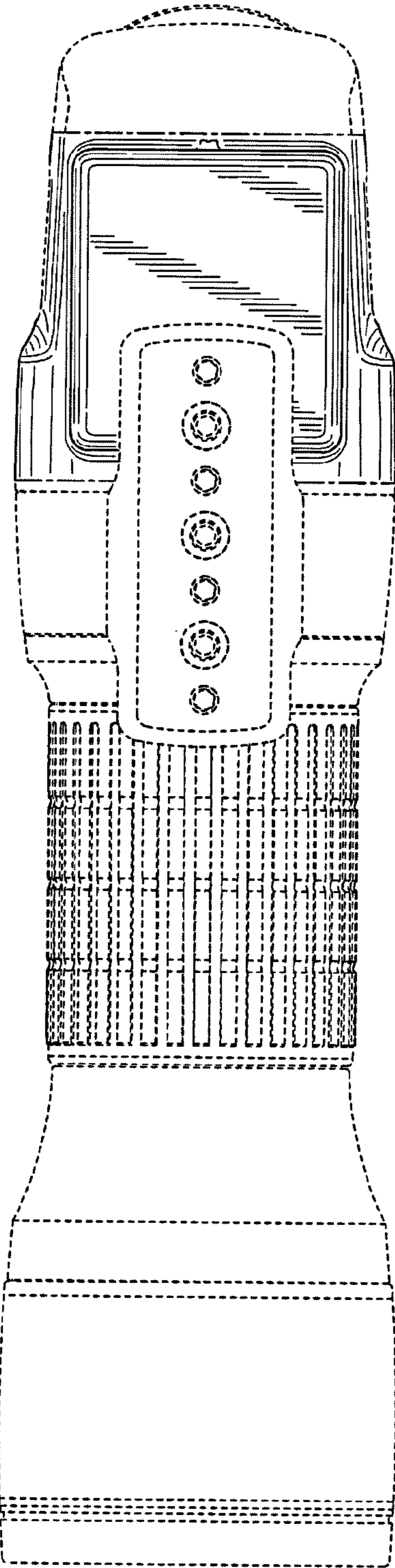
**FIG. 4**



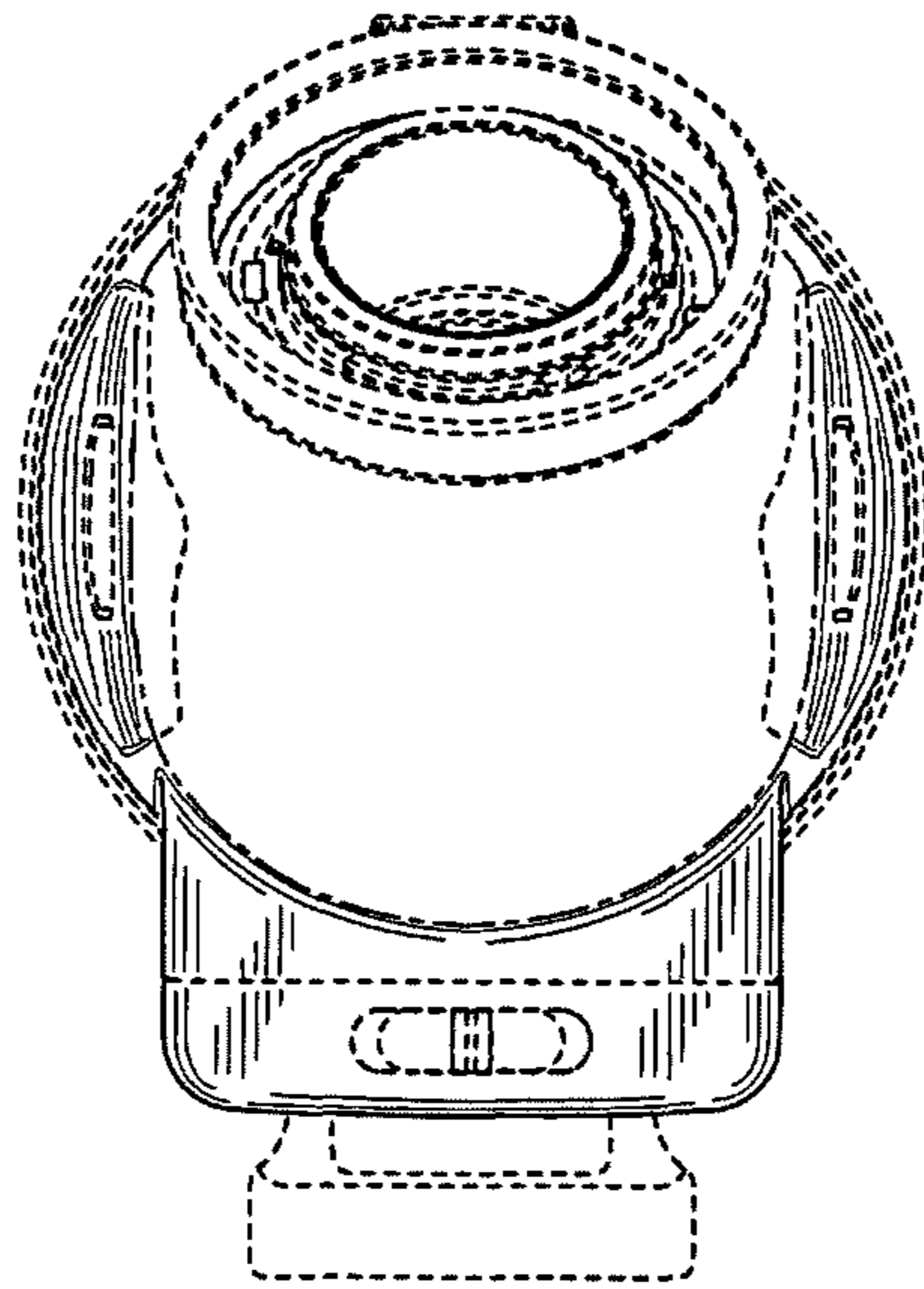
**FIG. 5**



*FIG. 6*



**FIG. 7**



**FIG. 8**

