



US00D686263S

(12) **United States Design Patent**
Sunter et al.

(10) **Patent No.:** **US D686,263 S**
(45) **Date of Patent:** **** Jul. 16, 2013**

(54) **TRAY PACKING QUALITY CONTROL MODULE**

(75) Inventors: **Adrian Sunter**, West Midlands (GB);
David William Payne, Leicestershire (GB);
Lee Michael Vine, Dorset (GB);
Gary David Tufnell, Dorset (GB)

(73) Assignee: **Ishida Europe Limited**, Birmingham (GB)

(**) Term: **14 Years**

(21) Appl. No.: **29/417,159**

(22) Filed: **Mar. 30, 2012**

(51) **LOC (9) Cl.** **15-99**

(52) **U.S. Cl.**
USPC **D15/145**

(58) **Field of Classification Search**
USPC D15/122, 145, 146; 53/51, 64, 167,
53/202, 203, 266.1, 279, 282, 284.5, 285,
53/329.4, 370.7, 370.9, 381.1, 426, 471,
53/558, 563, 565
See application file for complete search history.

(56) **References Cited**

U.S. PATENT DOCUMENTS

3,805,478	A *	4/1974	Stohlquist et al.	53/55
4,068,448	A *	1/1978	Modeen	53/131.3
D264,723	S *	6/1982	Tsujimoto	D15/145
D275,860	S *	10/1984	Brown et al.	D15/130
D301,890	S *	6/1989	Silbersky	D15/145
D332,615	S *	1/1993	Fang et al.	D15/122
D342,530	S *	12/1993	Lissoni et al.	D15/145
D377,496	S *	1/1997	Poole	D15/145
5,591,361	A *	1/1997	Hostler et al.	219/121.82

6,021,629	A *	2/2000	Sterner, Sr.	53/471
D445,807	S *	7/2001	Baulk	D15/127
D489,077	S *	4/2004	Bloch	D15/127
D543,222	S *	5/2007	Pester et al.	D15/145
D567,271	S *	4/2008	Vine	D15/145
D614,211	S *	4/2010	De Vries et al.	D15/122
D651,620	S *	1/2012	Schindler et al.	D15/122
D654,518	S *	2/2012	Miyake et al.	D15/122
2006/0218881	A1 *	10/2006	Sperry et al.	53/411

* cited by examiner

Primary Examiner — Patricia Palasik

(57) **CLAIM**

The ornamental design for a tray packing quality control module, as shown and described.

DESCRIPTION

FIG. 1 is a perspective view from above, front and one end of a first embodiment of the tray packing quality control module;

FIG. 2 is a front elevation view of the tray packing quality control module of FIG. 1;

FIG. 3 is a rear elevation view of the tray packing quality control module of FIG. 1;

FIG. 4 is a view from one end of the tray packing quality control module of FIG. 1;

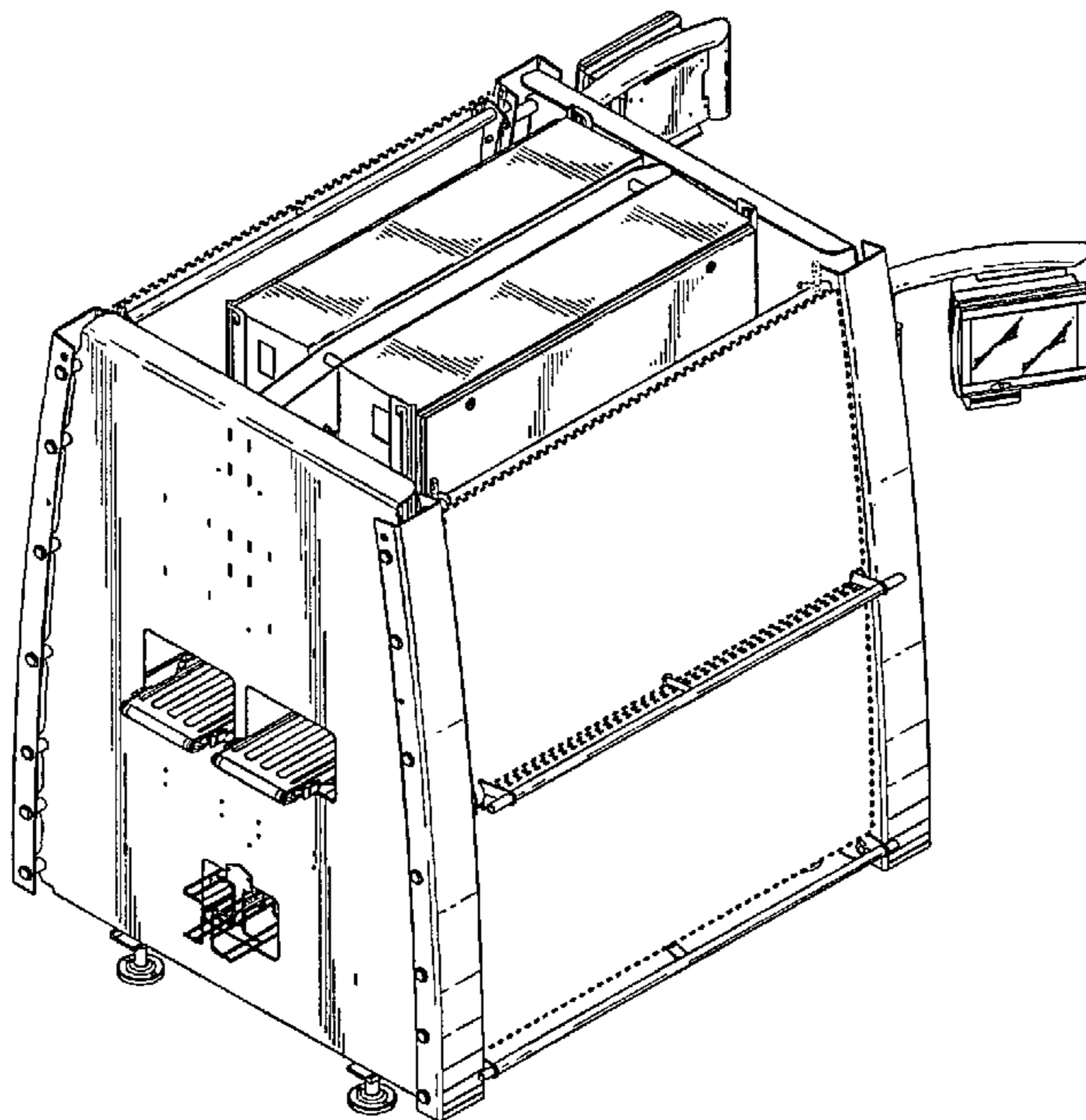
FIG. 5 is view from the other end of the tray packing quality control module of FIG. 1;

FIG. 6 is a top plan view of the tray packing quality control module of FIG. 1; and,

FIG. 7 is a bottom plan view of the tray packing quality control module of FIG. 1.

The broken lines in the drawings depict unclaimed environmental subject matter.

1 Claim, 4 Drawing Sheets



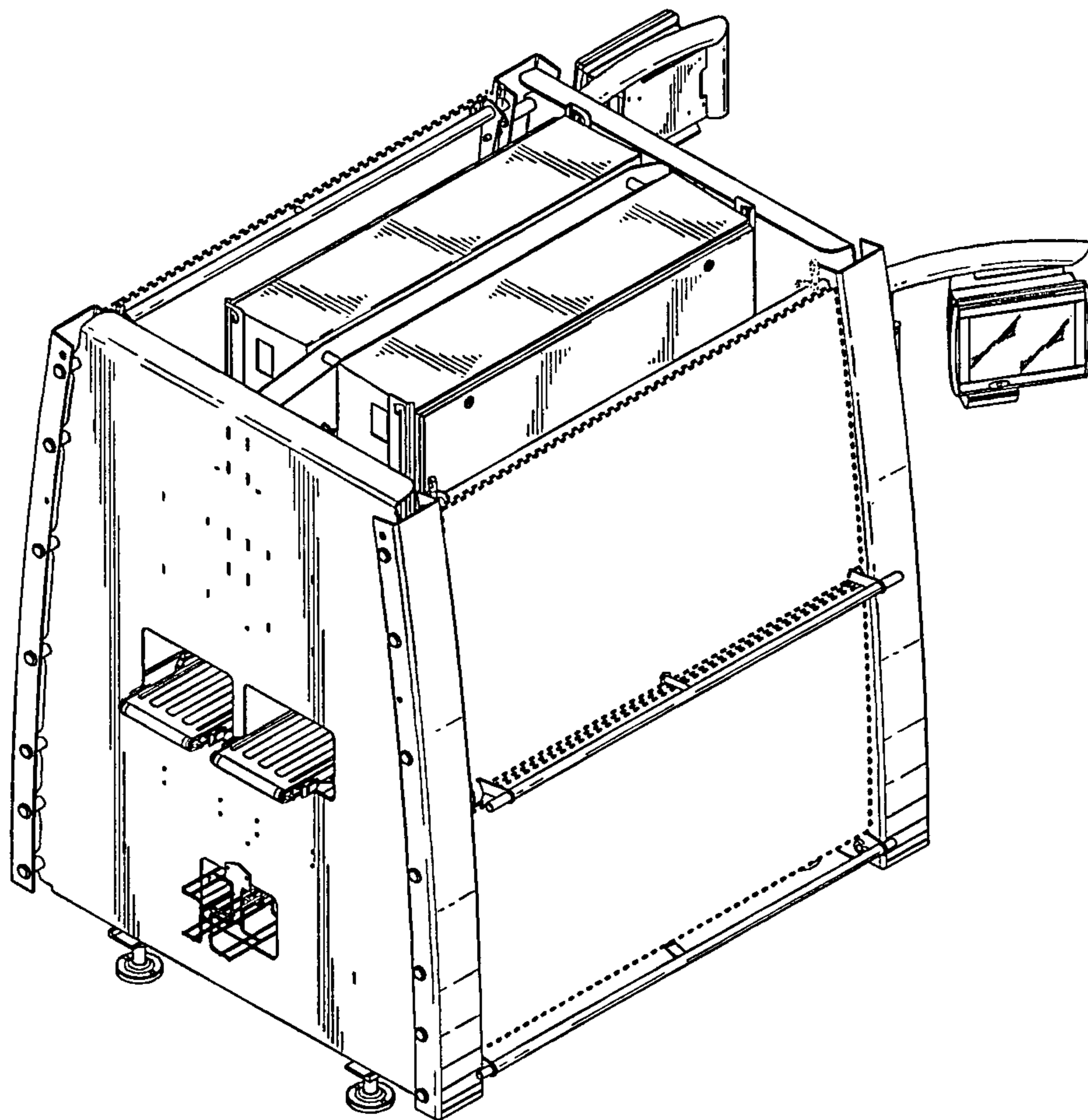


FIG. 1

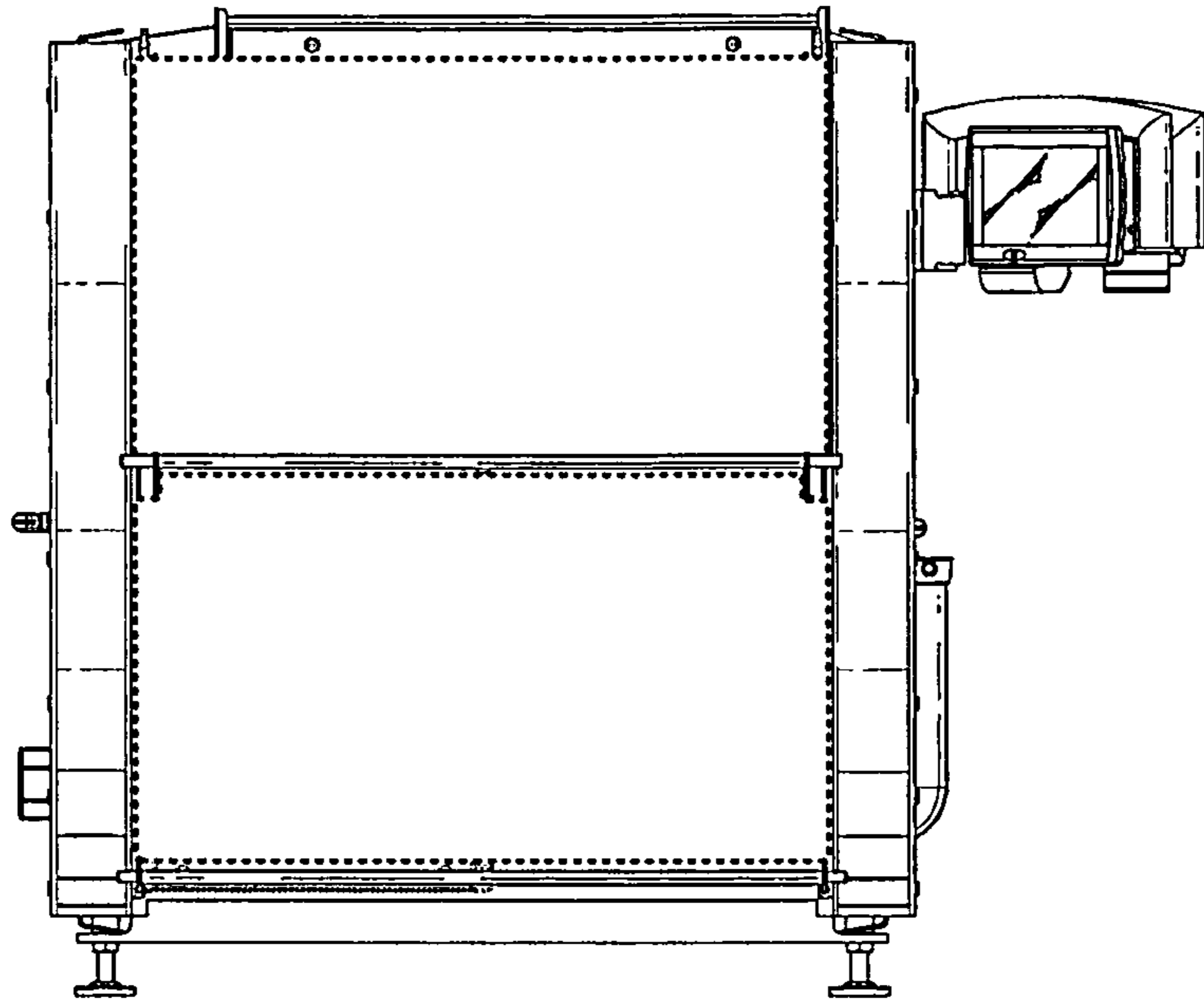


FIG. 2

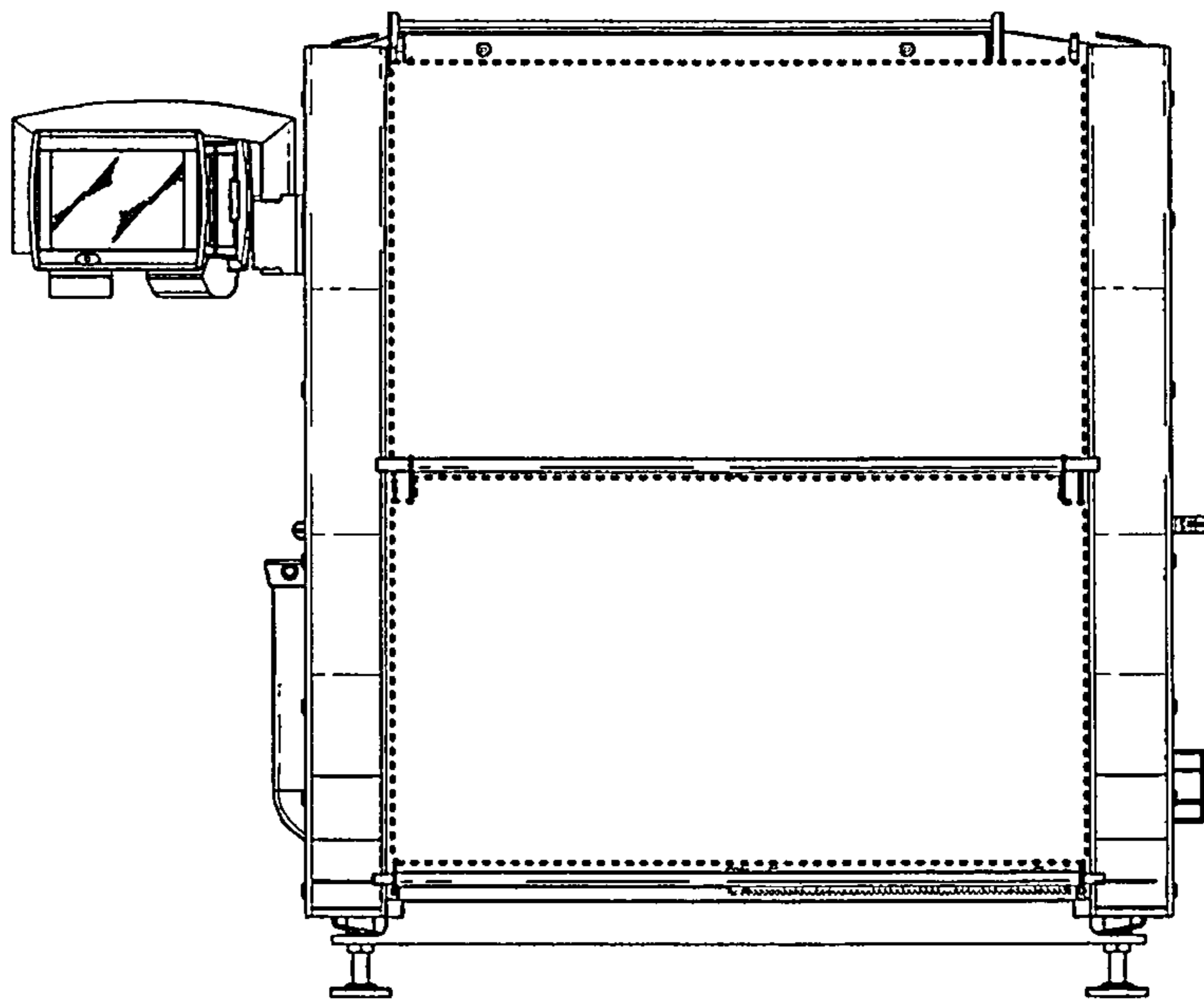


FIG. 3

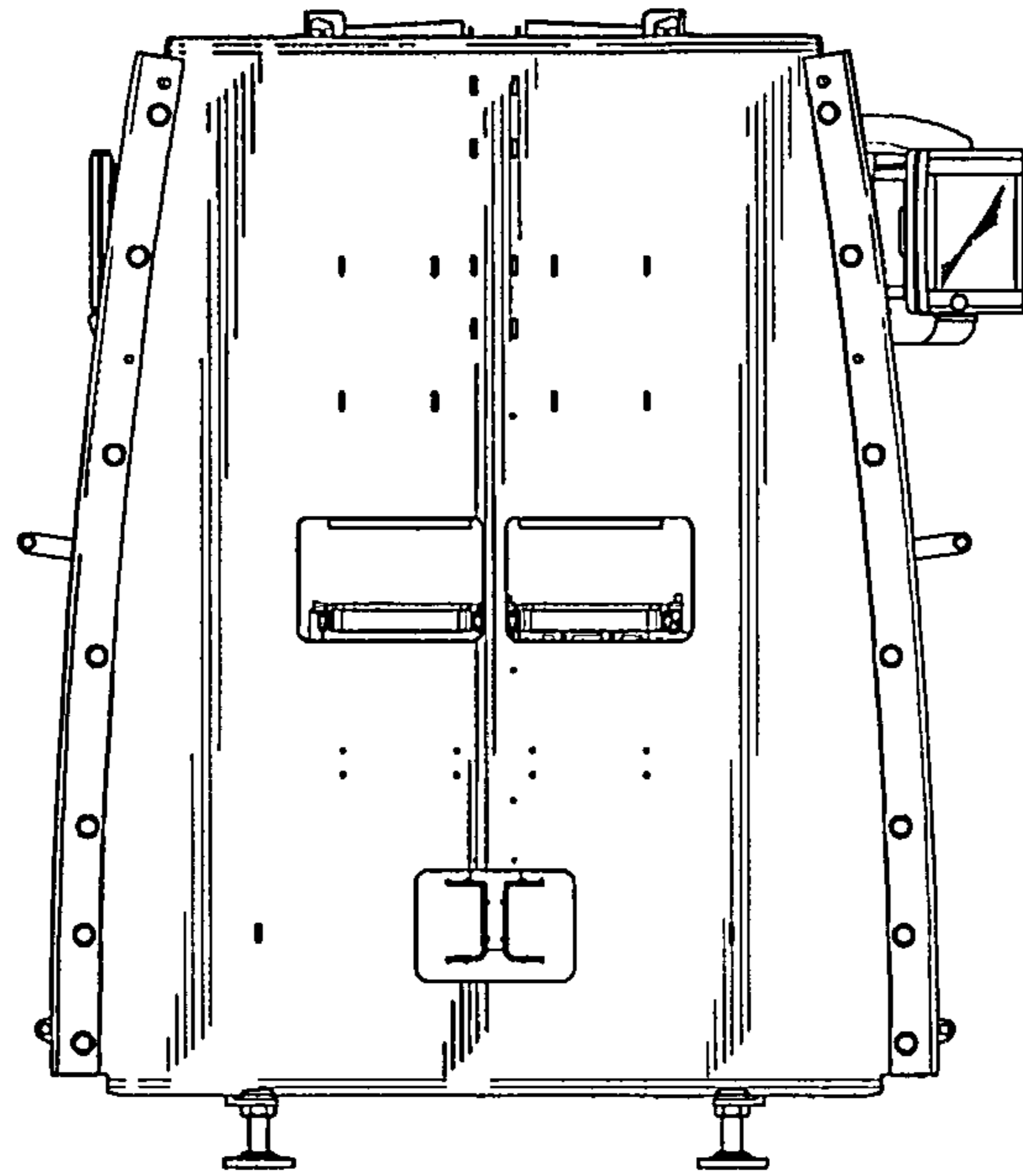


FIG. 4

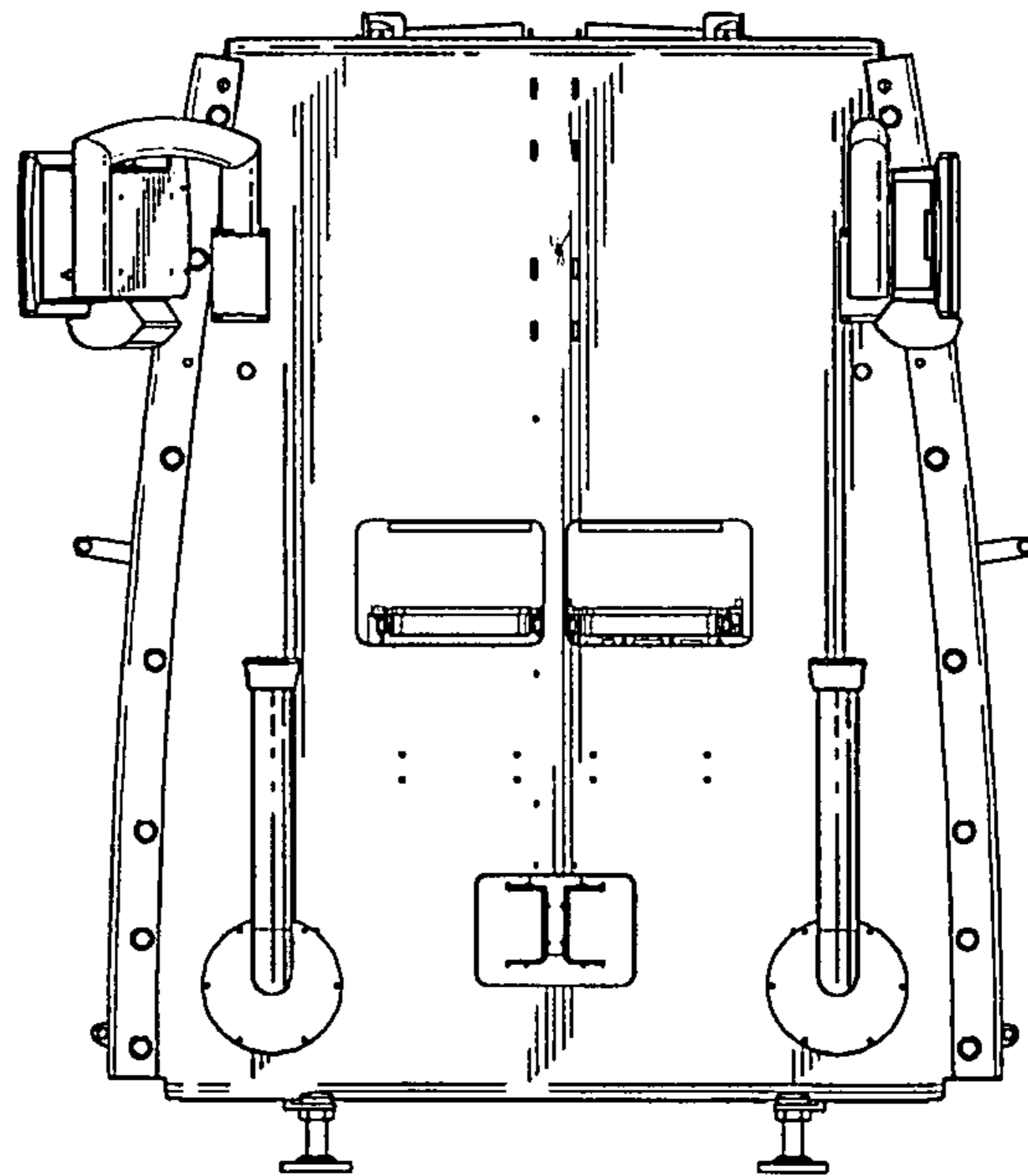


FIG. 5

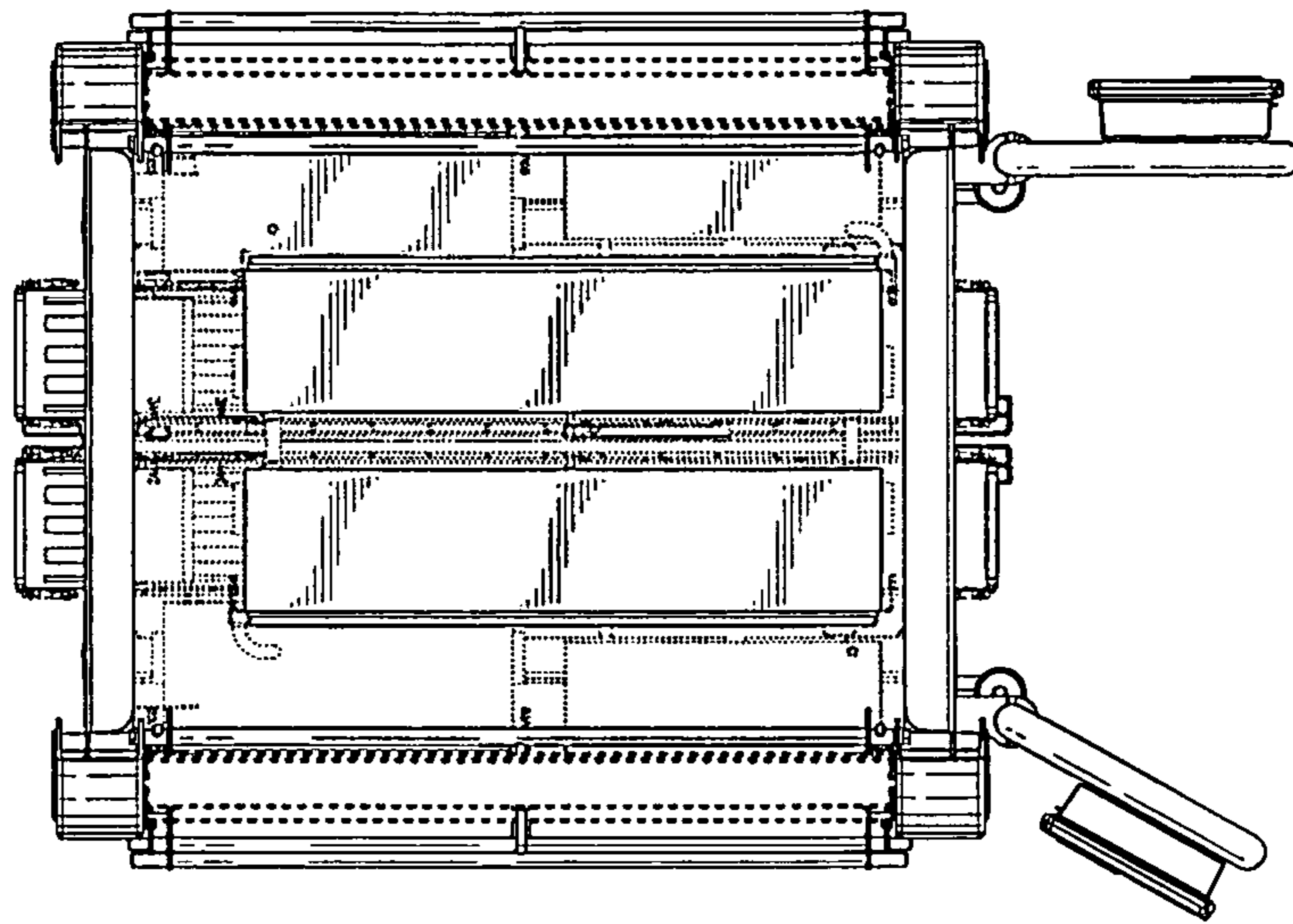


FIG. 6

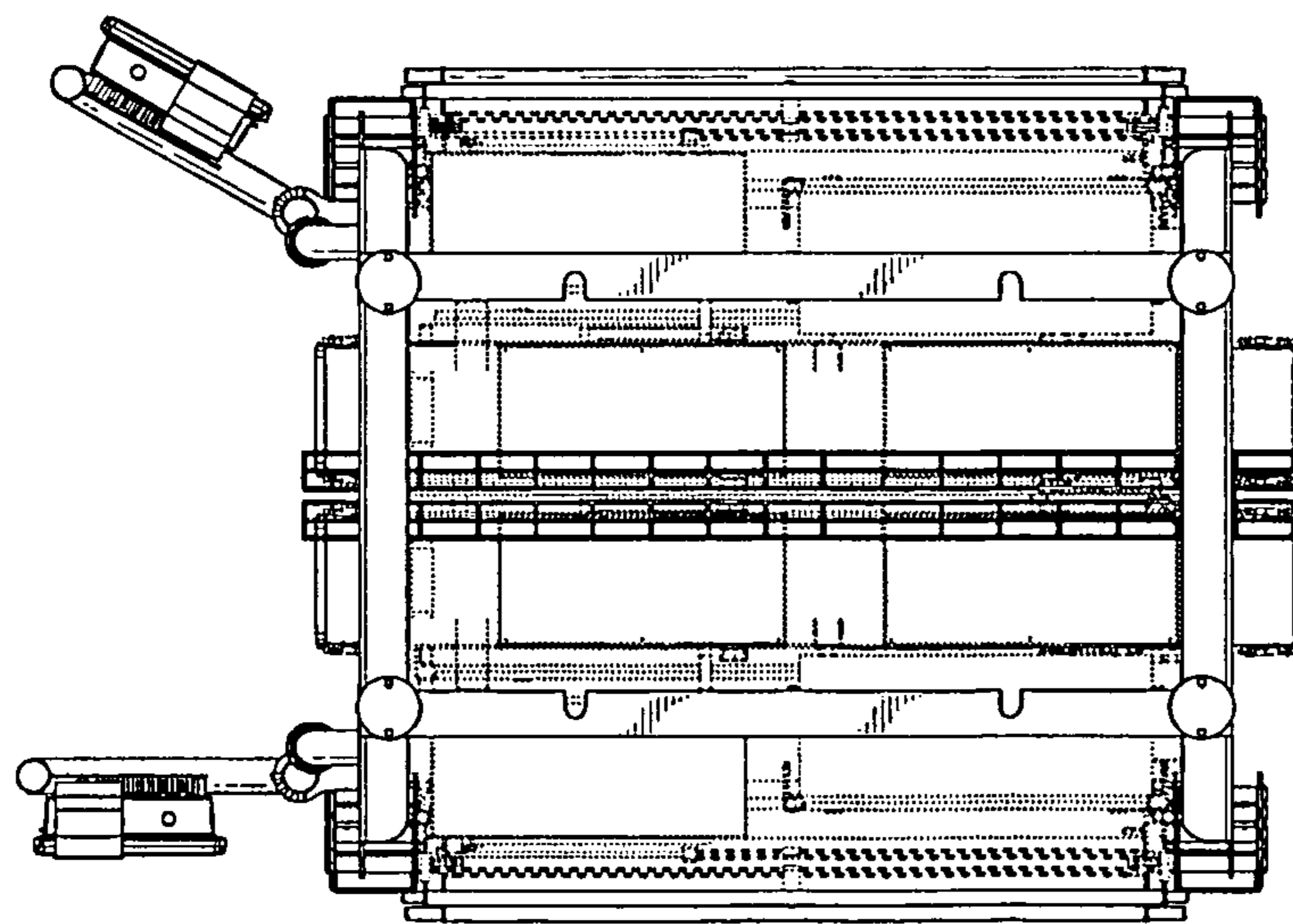


FIG. 7