



US00D686260S

(12) **United States Design Patent**  
**Wu**

(10) **Patent No.:** **US D686,260 S**  
(45) **Date of Patent:** **\*\* Jul. 16, 2013**

- (54) **LINEAR ACTUATOR**
- (71) Applicant: **Timotion Technology Co., Ltd.**, New Taipei (TW)
- (72) Inventor: **Chou-Hsin Wu**, New Taipei (TW)
- (73) Assignee: **Timotion Technology Co., Ltd.**, New Taipei (TW)
- (\*\*) Term: **14 Years**
- (21) Appl. No.: **29/443,617**
- (22) Filed: **Jan. 18, 2013**
- (51) **LOC (9) Cl.** ..... **15-09**
- (52) **U.S. Cl.**  
USPC ..... **D15/143; D15/199**
- (58) **Field of Classification Search**  
USPC ..... D13/118, 158, 162, 184; D15/1-5, D15/7, 9, 143, 148, 149, 199; 74/89.15, 90.15, 74/411.5, 411.54, 490.09; 297/14, 325, 327; 310/10, 12, 15, 20, 20.8, 80, 300  
See application file for complete search history.

- D596,652 S \* 7/2009 Roither et al. .... D15/143
- D625,745 S \* 10/2010 Chiang et al. .... D15/143
- D646,310 S \* 10/2011 Lan ..... D15/143
- D654,524 S \* 2/2012 Iversen et al. .... D15/199
- D656,975 S \* 4/2012 Tseng ..... D15/143
- D665,433 S \* 8/2012 Beam et al. .... D15/143
- 2005/0264109 A1 \* 12/2005 Abrahamsen ..... 310/20

\* cited by examiner

*Primary Examiner* — Patricia Palasik

(74) *Attorney, Agent, or Firm* — Chun-Ming Shih; HDLS IPR Services

(57) **CLAIM**

The ornamental design for a linear actuator, as shown and described.

**DESCRIPTION**

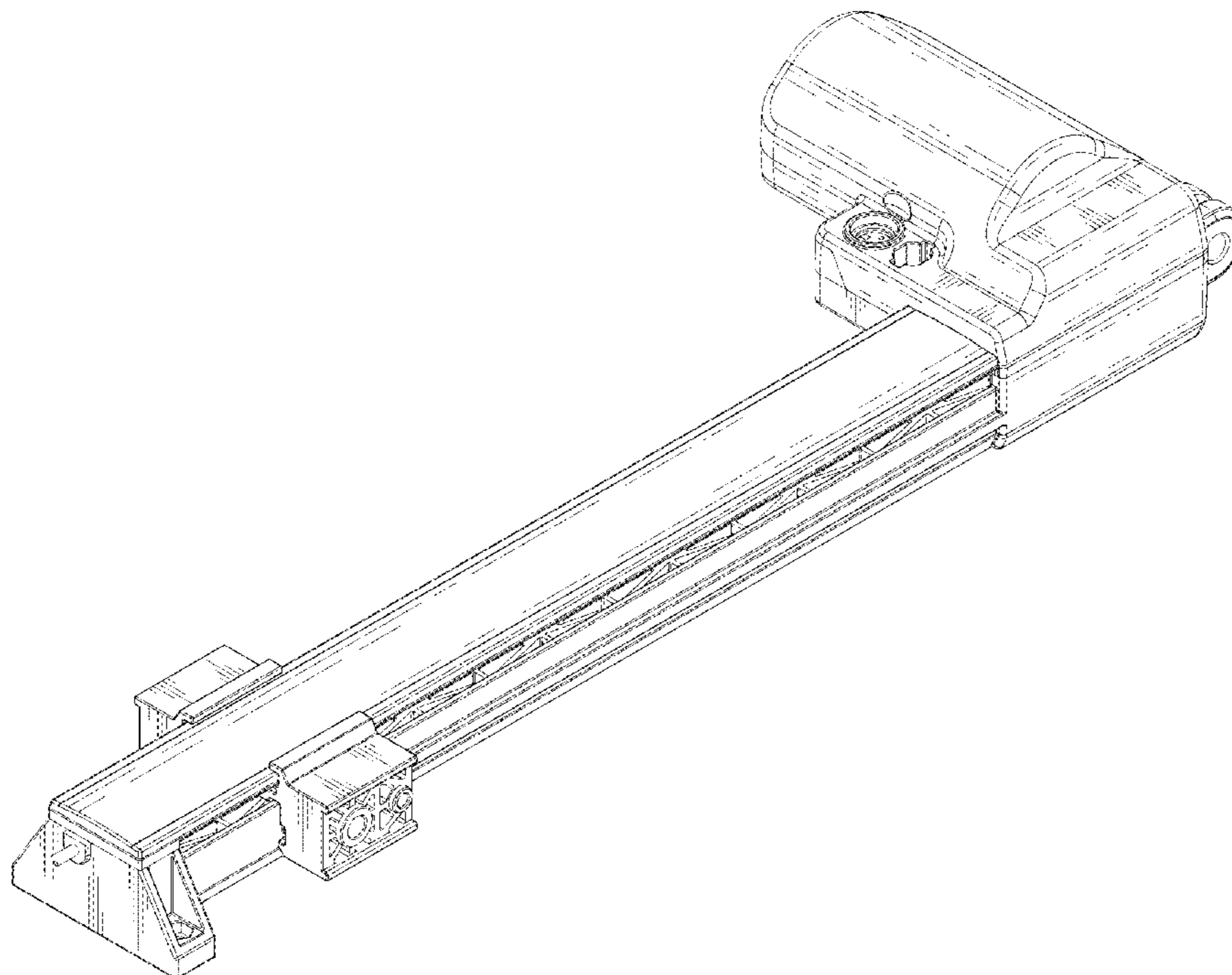
FIG. 1 is a perspective view of a linear actuator showing my new design;  
 FIG. 2 is a front view thereof;  
 FIG. 3 is a rear view thereof;  
 FIG. 4 is a left side view thereof;  
 FIG. 5 is a right side view thereof;  
 FIG. 6 is a top view thereof;  
 FIG. 7 is a bottom view thereof; and  
 FIG. 8 is another perspective view showing the linear actuator; and,  
 FIG. 9 is the other perspective view showing the linear actuator.

**1 Claim, 7 Drawing Sheets**

(56) **References Cited**

U.S. PATENT DOCUMENTS

- 6,321,611 B1 \* 11/2001 Szu et al. .... 74/89.37
- D458,284 S \* 6/2002 Landerholm et al. .... D15/143
- D577,753 S \* 9/2008 Lund et al. .... D15/143
- D589,543 S \* 3/2009 Lin et al. .... D15/143
- D595,752 S \* 7/2009 Lin et al. .... D15/143
- D595,753 S \* 7/2009 Tseng ..... D15/143



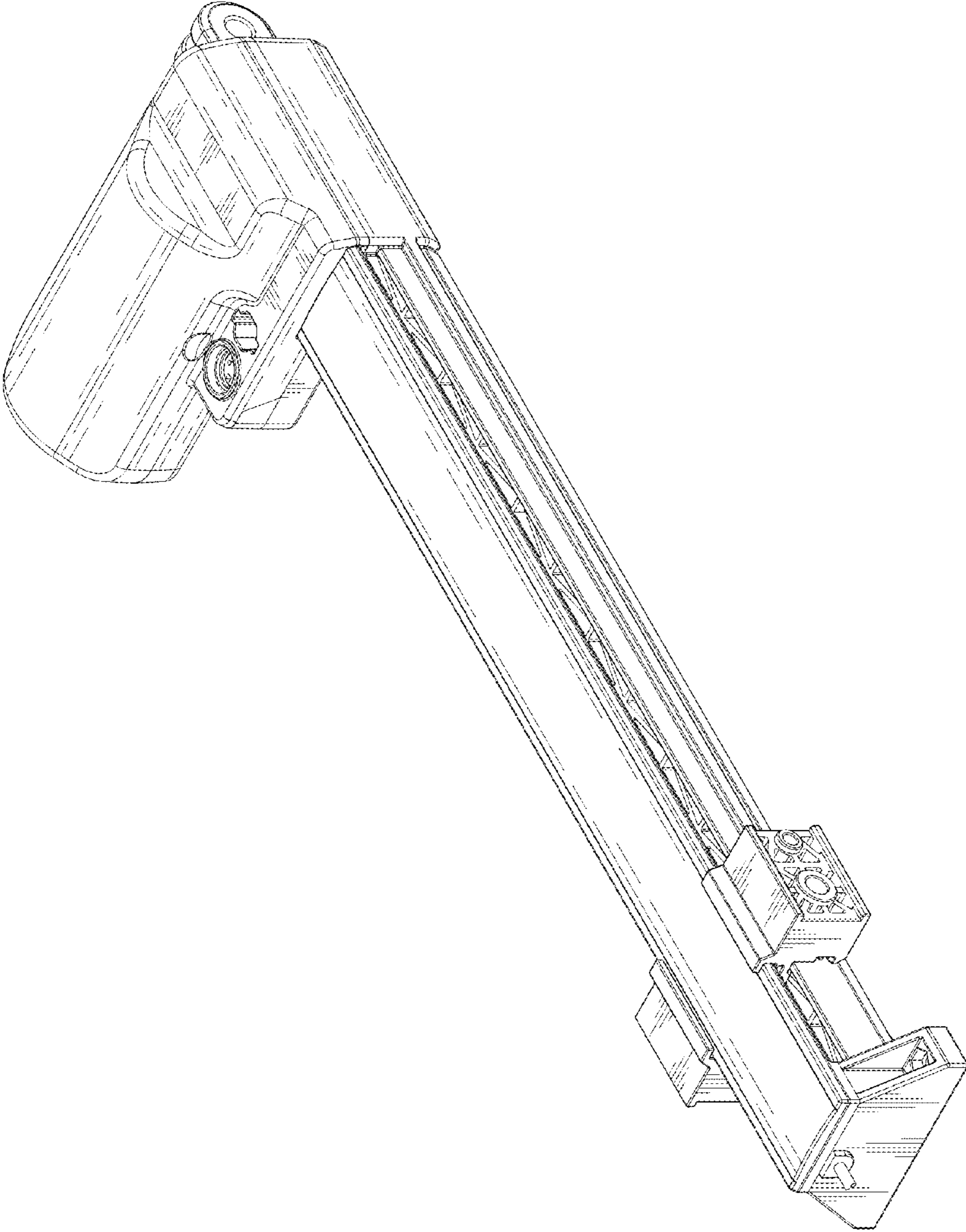


FIG.1

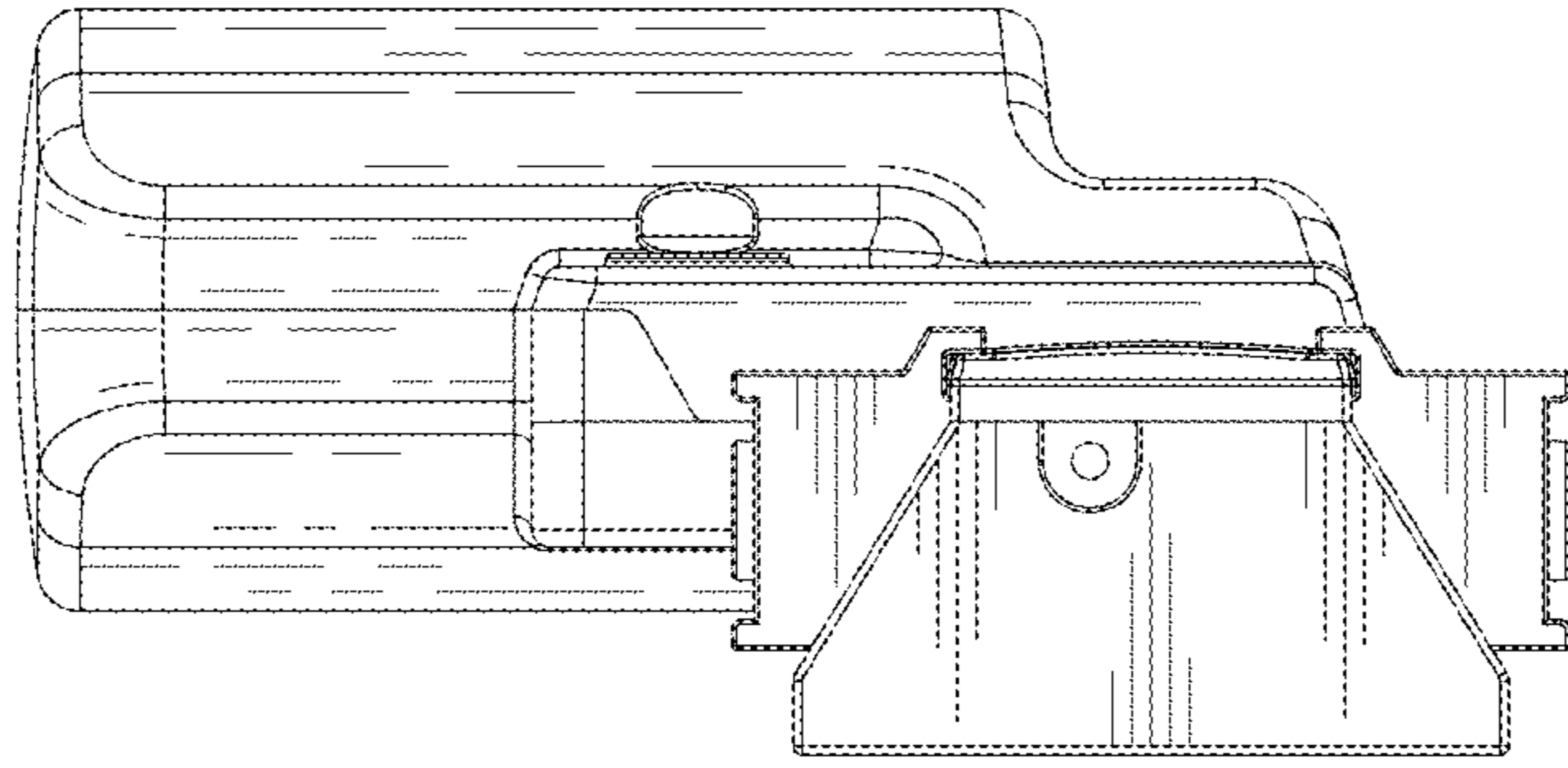


FIG. 2

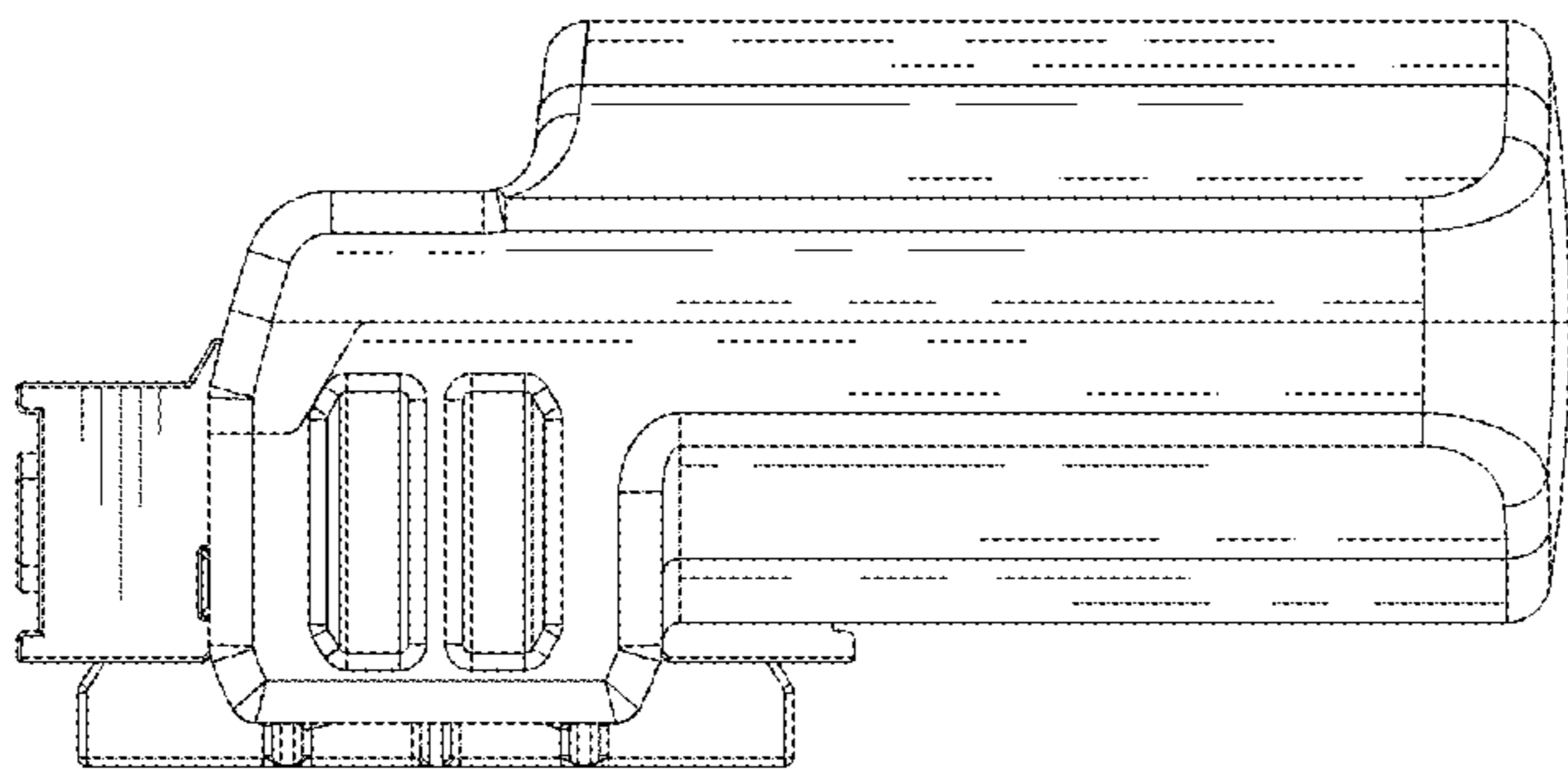


FIG. 3



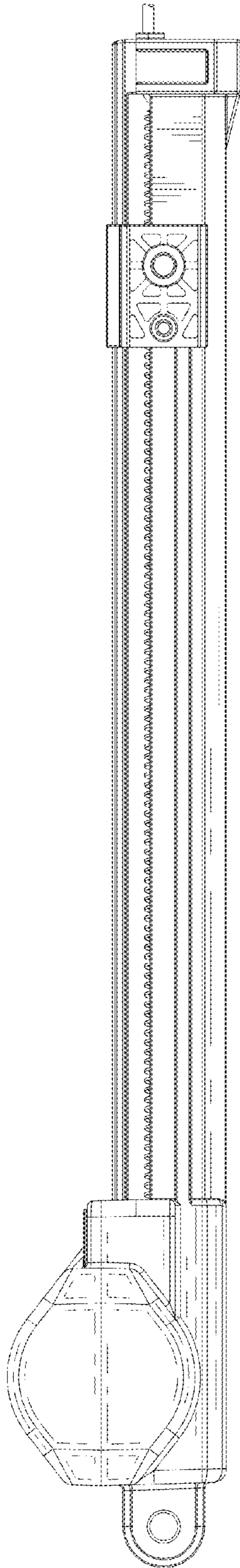


FIG. 4

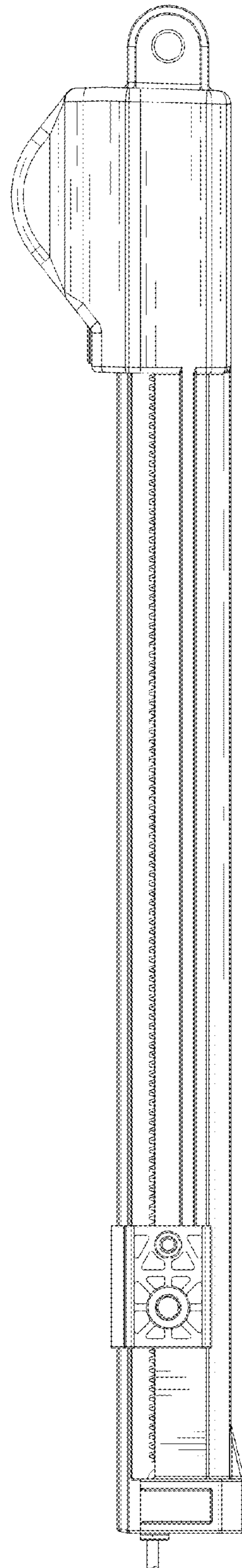


FIG. 5

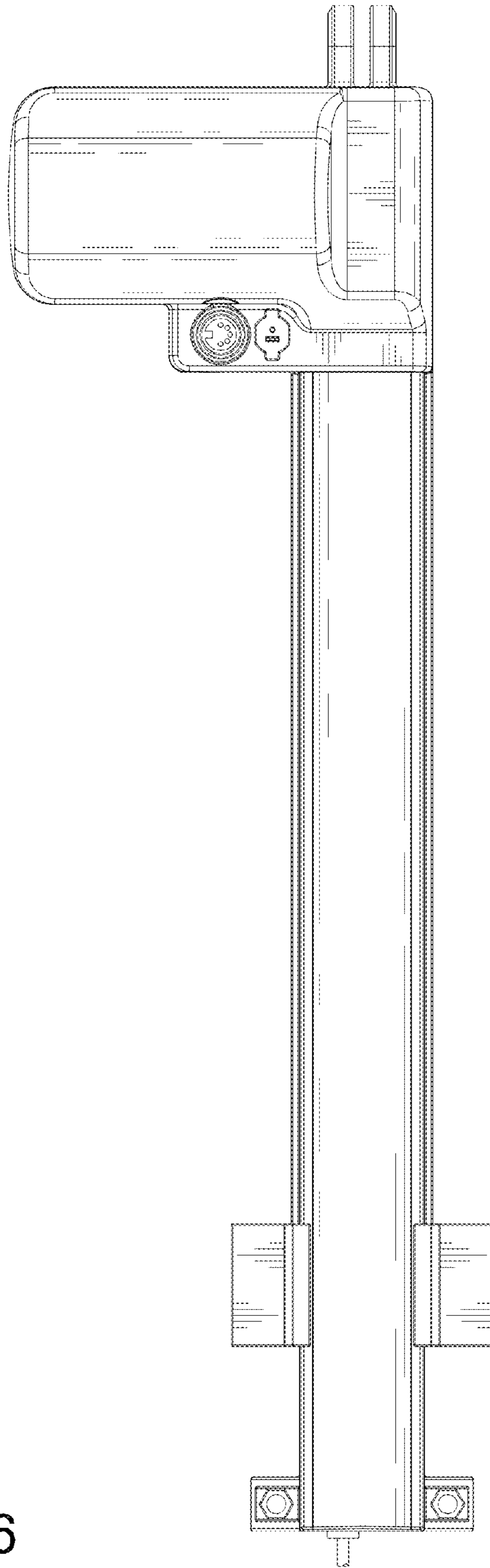


FIG.6

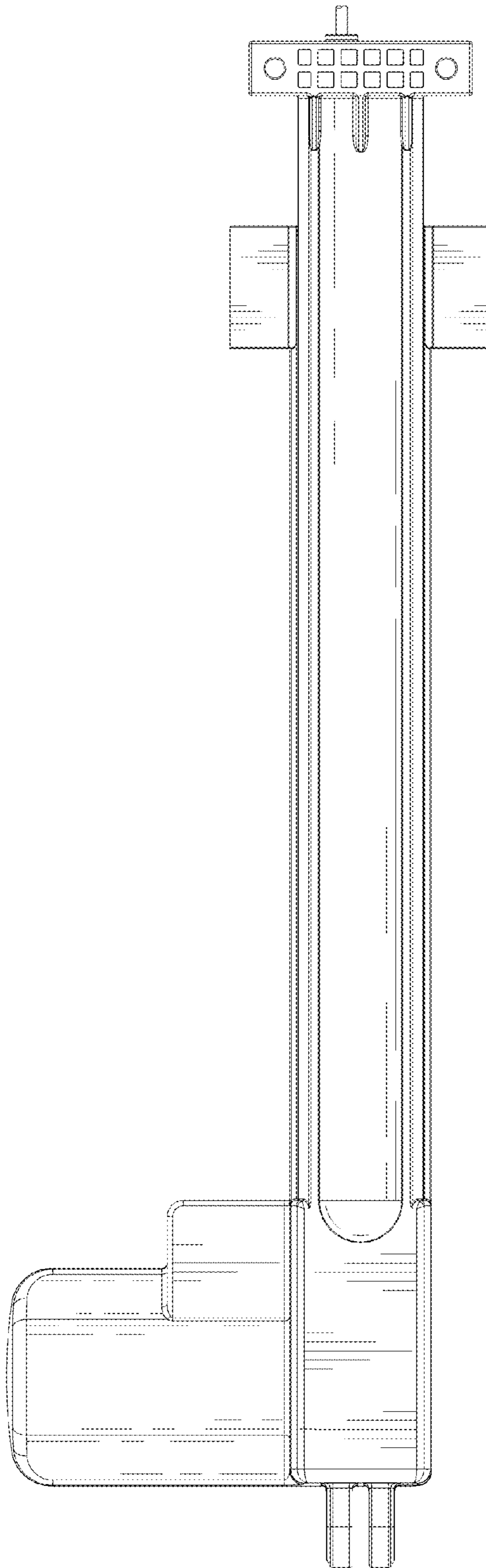


FIG.7

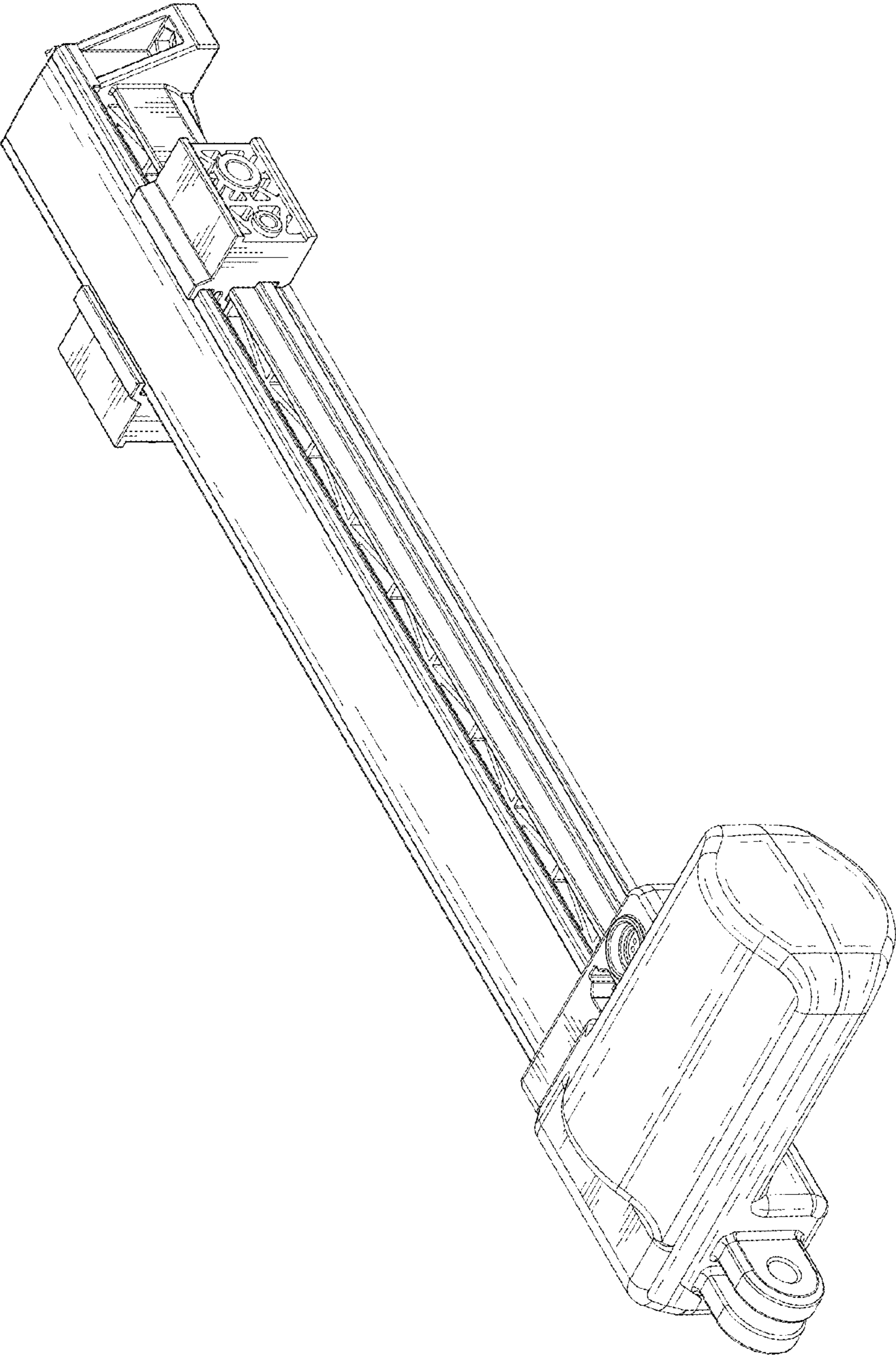


FIG. 8



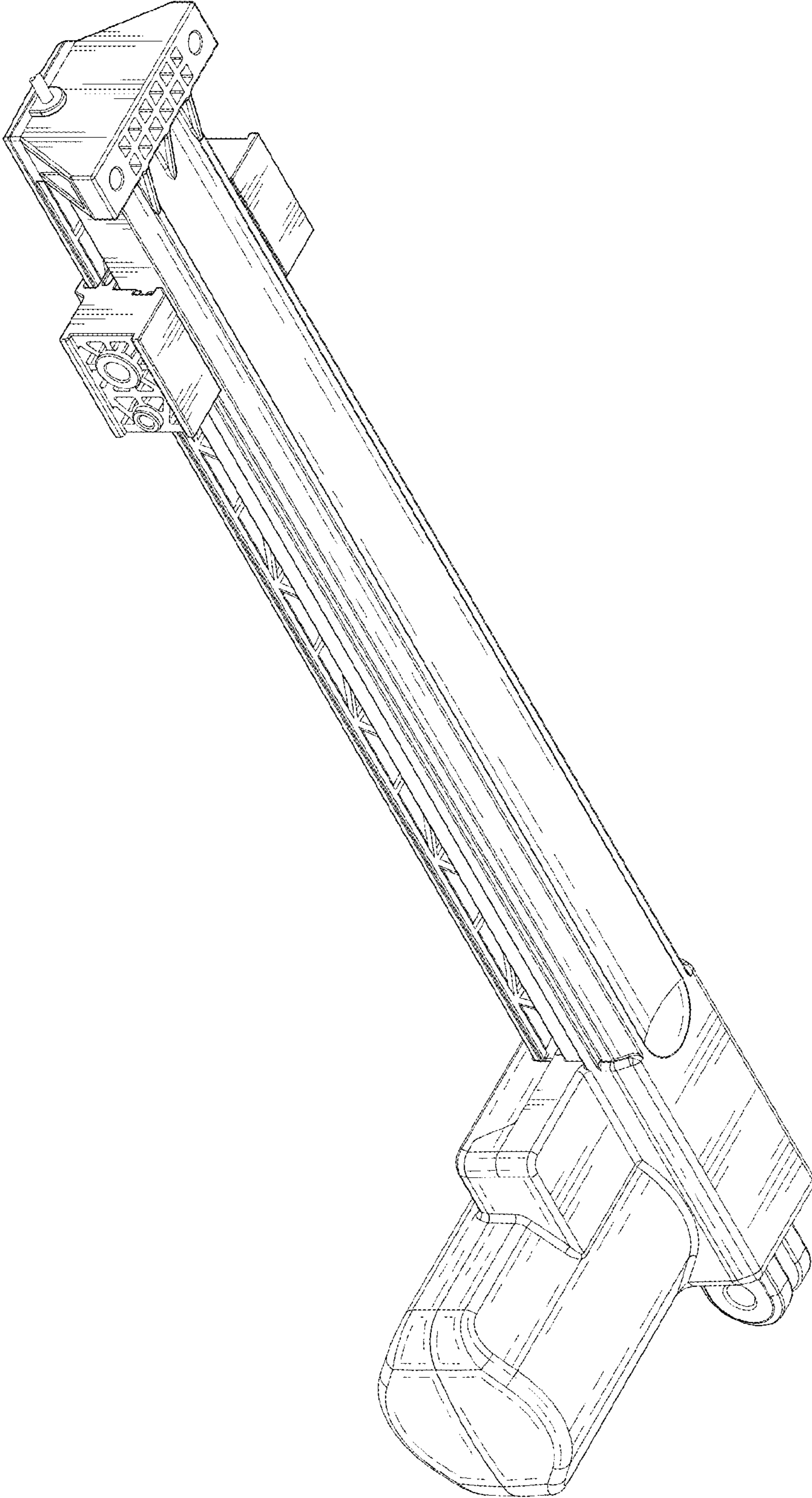


FIG.9