



US00D686259S

(12) **United States Design Patent**
Wu

(10) **Patent No.:** **US D686,259 S**
(45) **Date of Patent:** **** Jul. 16, 2013**

(54) **RELEASER OF ELECTRIC CYLINDER**

(71) Applicant: **Timotion Technology Co., Ltd.**, New Taipei (TW)

(72) Inventor: **Chou-Hsin Wu**, New Taipei (TW)

(73) Assignee: **Timotion Technology Co., Ltd.**, New Taipei (TW)

(**) Term: **14 Years**

(21) Appl. No.: **29/443,614**

(22) Filed: **Jan. 18, 2013**

(51) **LOC (9) Cl.** **15-09**

(52) **U.S. Cl.**
USPC **D15/143; D15/199**

(58) **Field of Classification Search**
USPC D13/118, 158, 162, 184; D15/1-5,
D15/7, 9, 143, 148, 149, 199; 74/89.15, 90.15,
74/411.5, 411.54, 490.09; 297/14, 325, 327;
310/10, 12, 15, 20, 20.8, 80, 300
See application file for complete search history.

(56) **References Cited**

U.S. PATENT DOCUMENTS

6,321,611	B1	*	11/2001	Szu et al.	74/89.37
D458,284	S	*	6/2002	Landerholm et al.	D15/143
D577,753	S	*	9/2008	Lund et al.	D15/143
D589,543	S	*	3/2009	Lin et al.	D15/143
D595,752	S	*	7/2009	Lin et al.	D15/143
D595,753	S	*	7/2009	Tseng	D15/143

D596,652	S	*	7/2009	Roither et al.	D15/143
D620,961	S	*	8/2010	Iversen	D15/143
D646,310	S	*	10/2011	Lan	D15/143
D654,524	S	*	2/2012	Iversen et al.	D15/199
D656,975	S	*	4/2012	Tseng	D15/143
D665,433	S	*	8/2012	Beam et al.	D15/143
2005/0264109	A1	*	12/2005	Abrahamsen	310/20

* cited by examiner

Primary Examiner — Patricia Palasik

(74) *Attorney, Agent, or Firm* — Chun-Ming Shih; HDLS IPR Services

(57) **CLAIM**

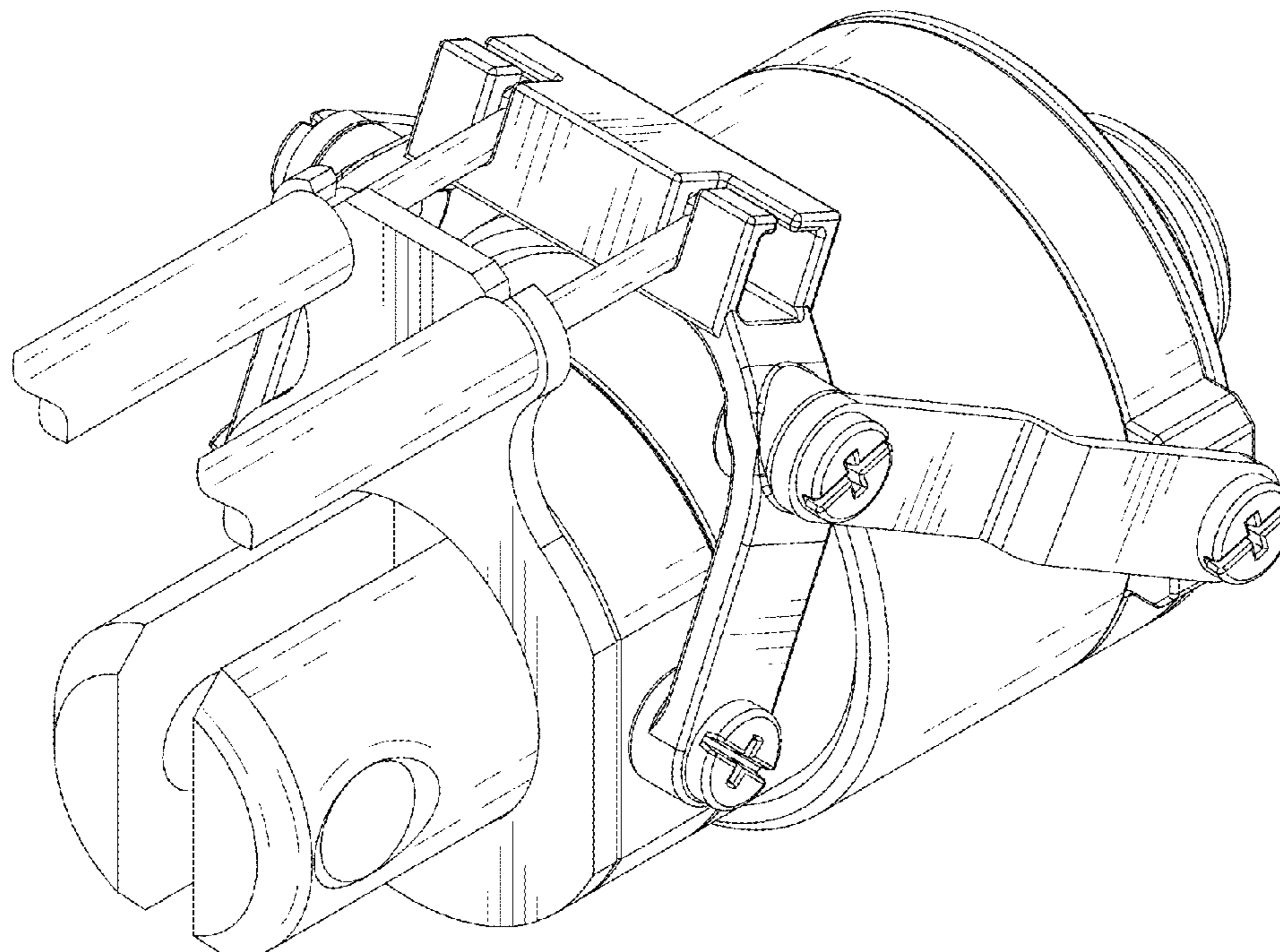
The ornamental design for a releaser of electric cylinder, as shown and described.

DESCRIPTION

FIG. 1 is a perspective view of a releaser of electric cylinder showing my new design;
FIG. 2 is a front view thereof;
FIG. 3 is a rear view thereof;
FIG. 4 is a left side view thereof;
FIG. 5 is a right side view thereof;
FIG. 6 is a top view thereof;
FIG. 7 is a bottom view thereof;
FIG. 8 is the other perspective view showing the releaser of electric cylinder; and,
FIG. 9 is a perspective view of the releaser of electric cylinder for reference.

The broken lines shown represent unclaimed subject matter and form no part of the claimed design.

1 Claim, 7 Drawing Sheets



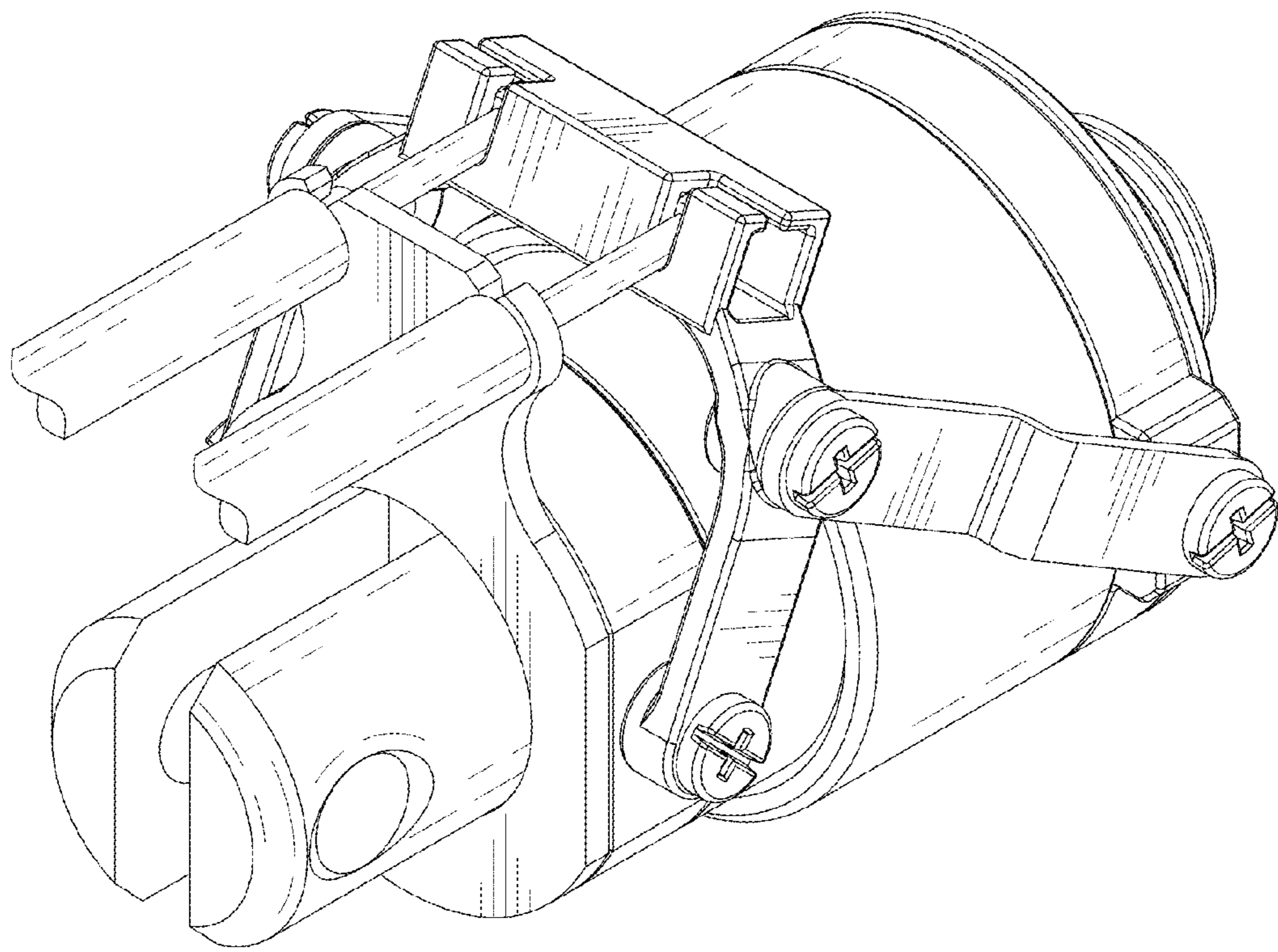


FIG.1

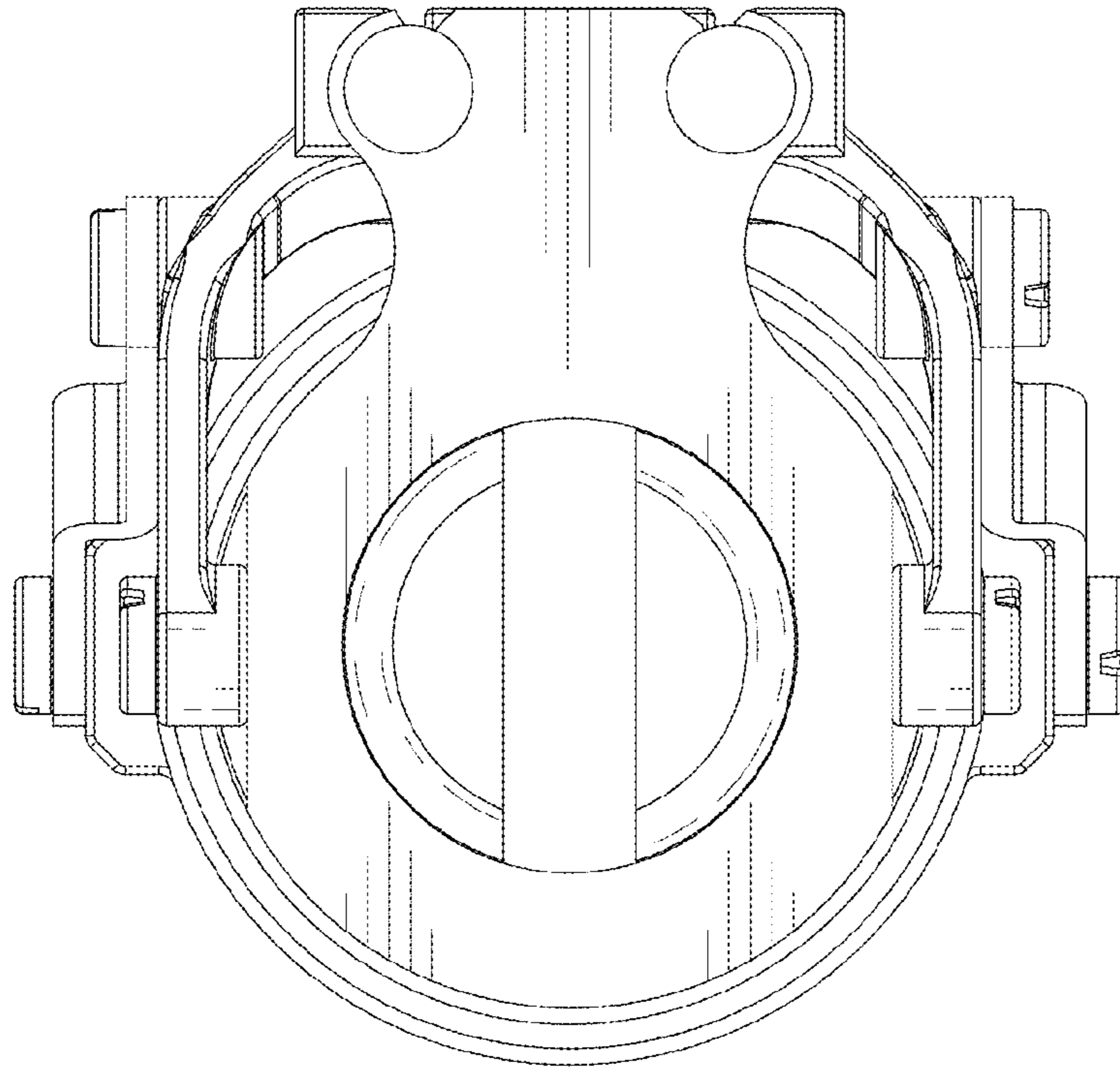


FIG. 2

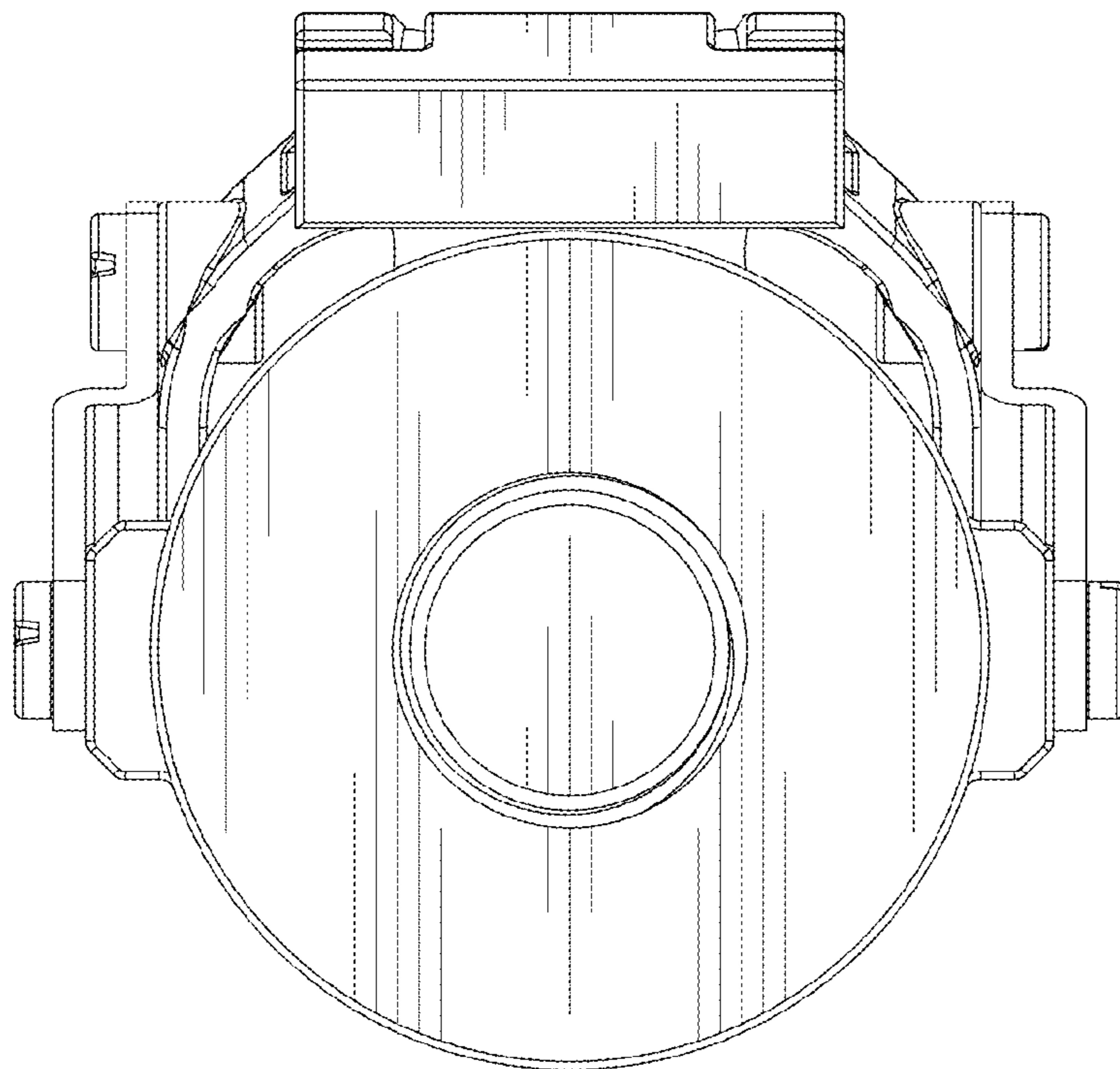


FIG. 3

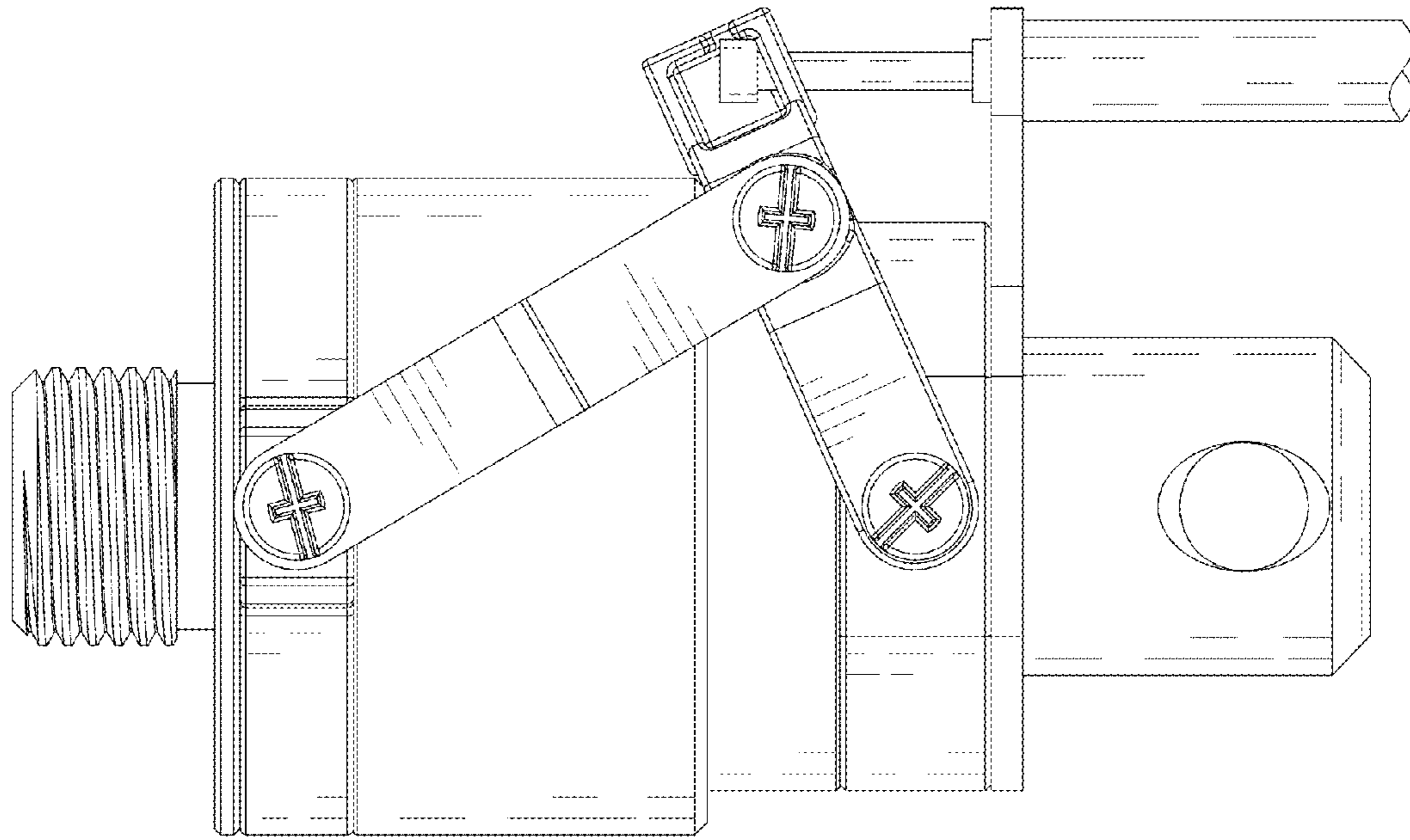


FIG. 4

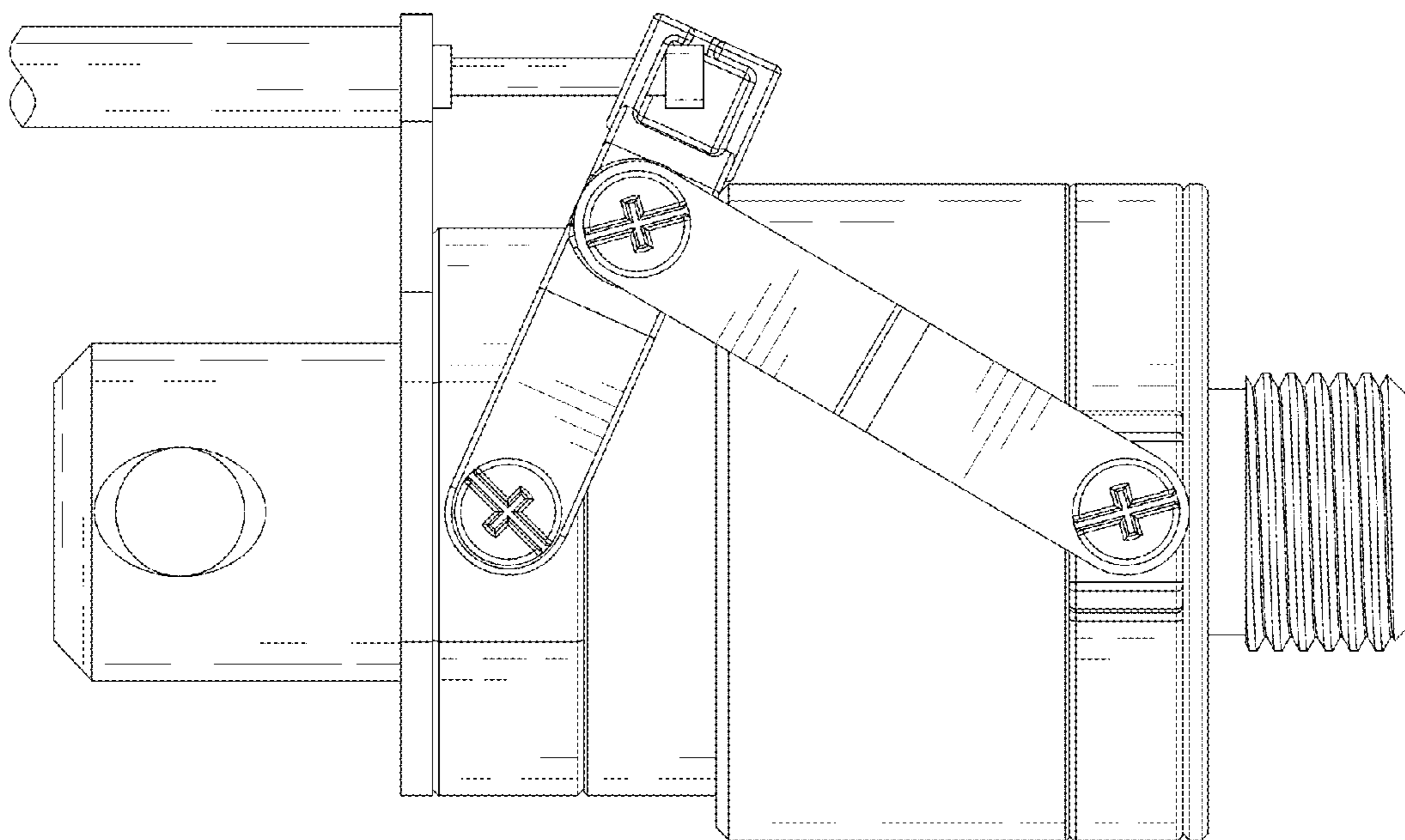


FIG. 5

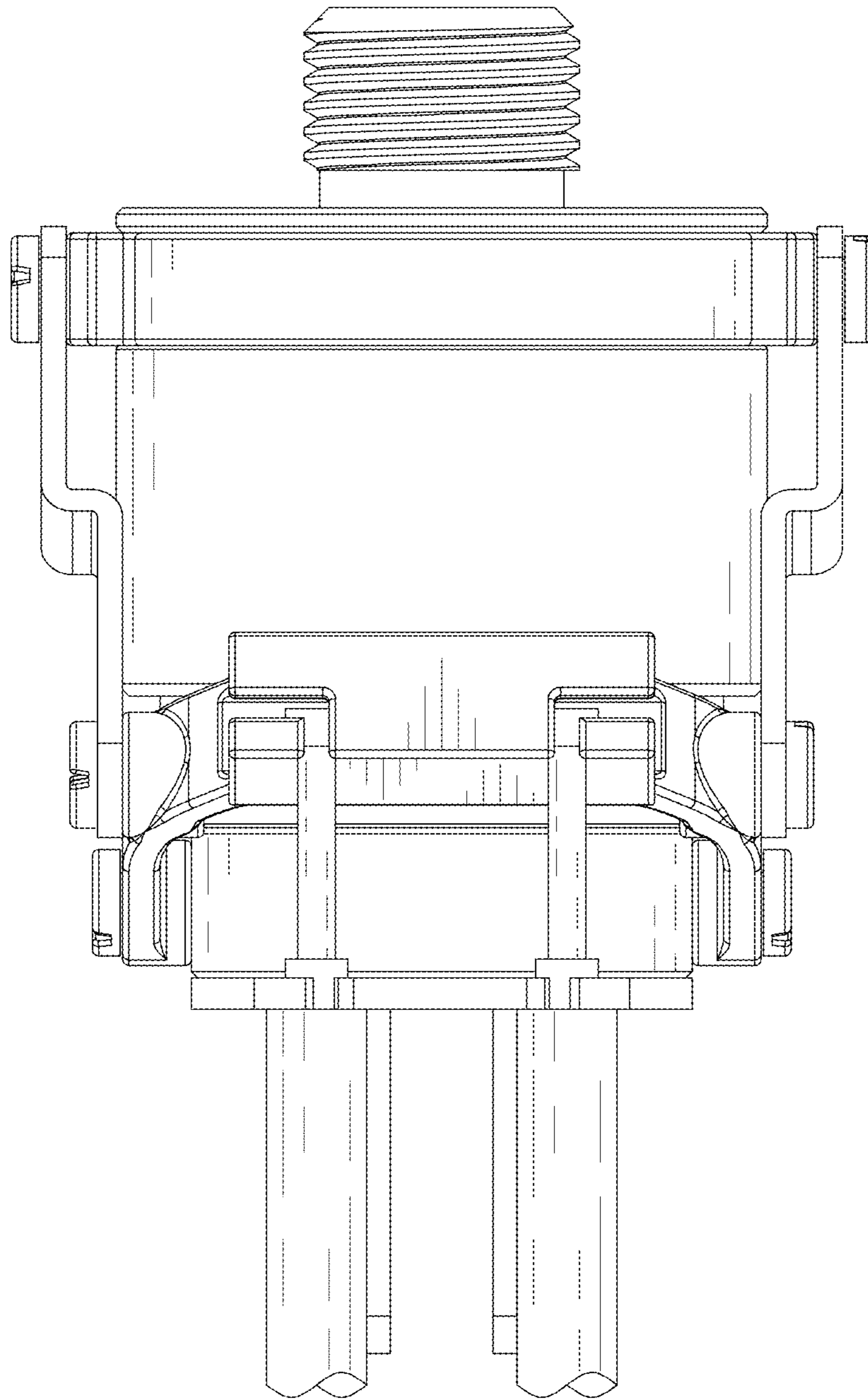


FIG. 6

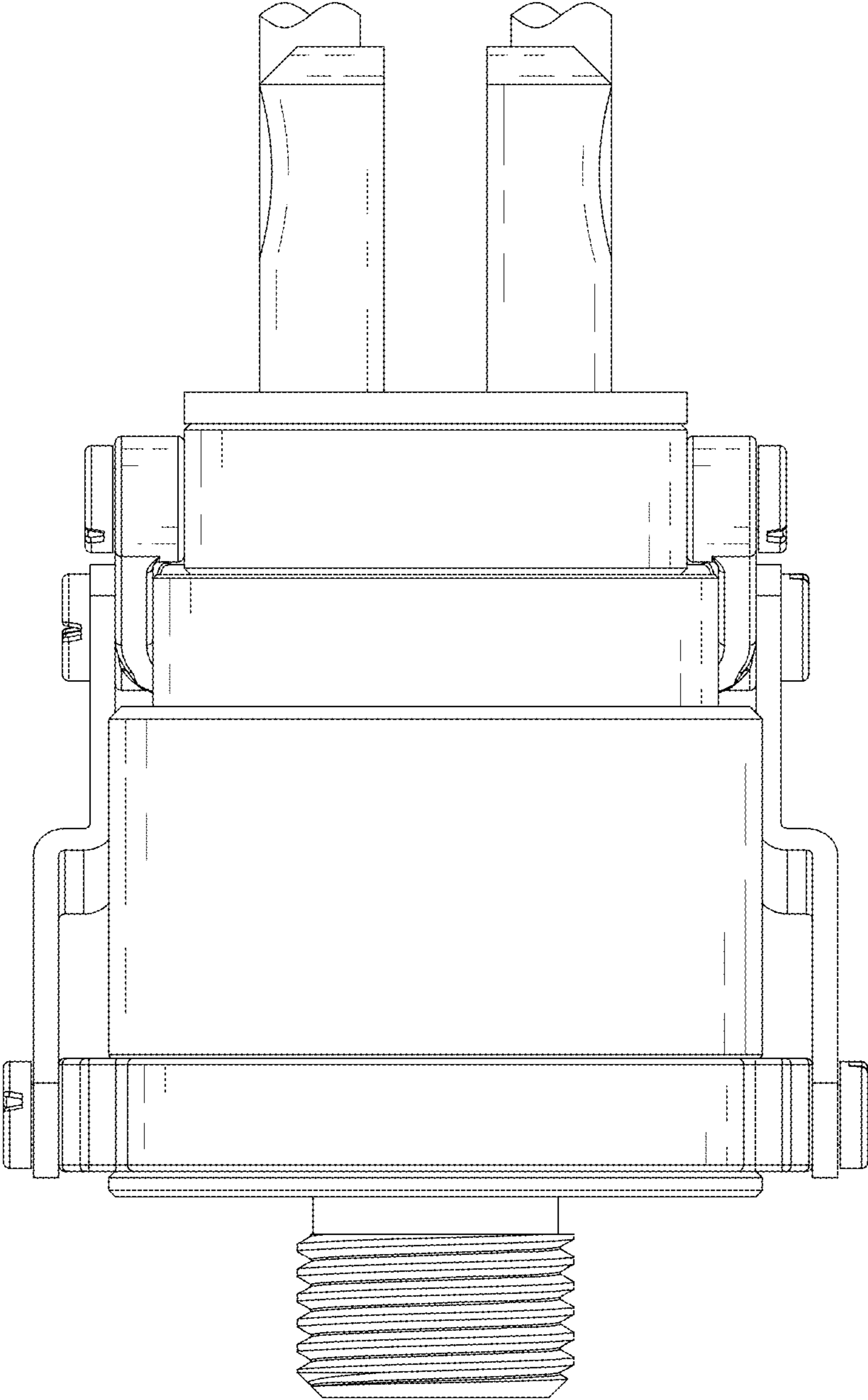


FIG.7

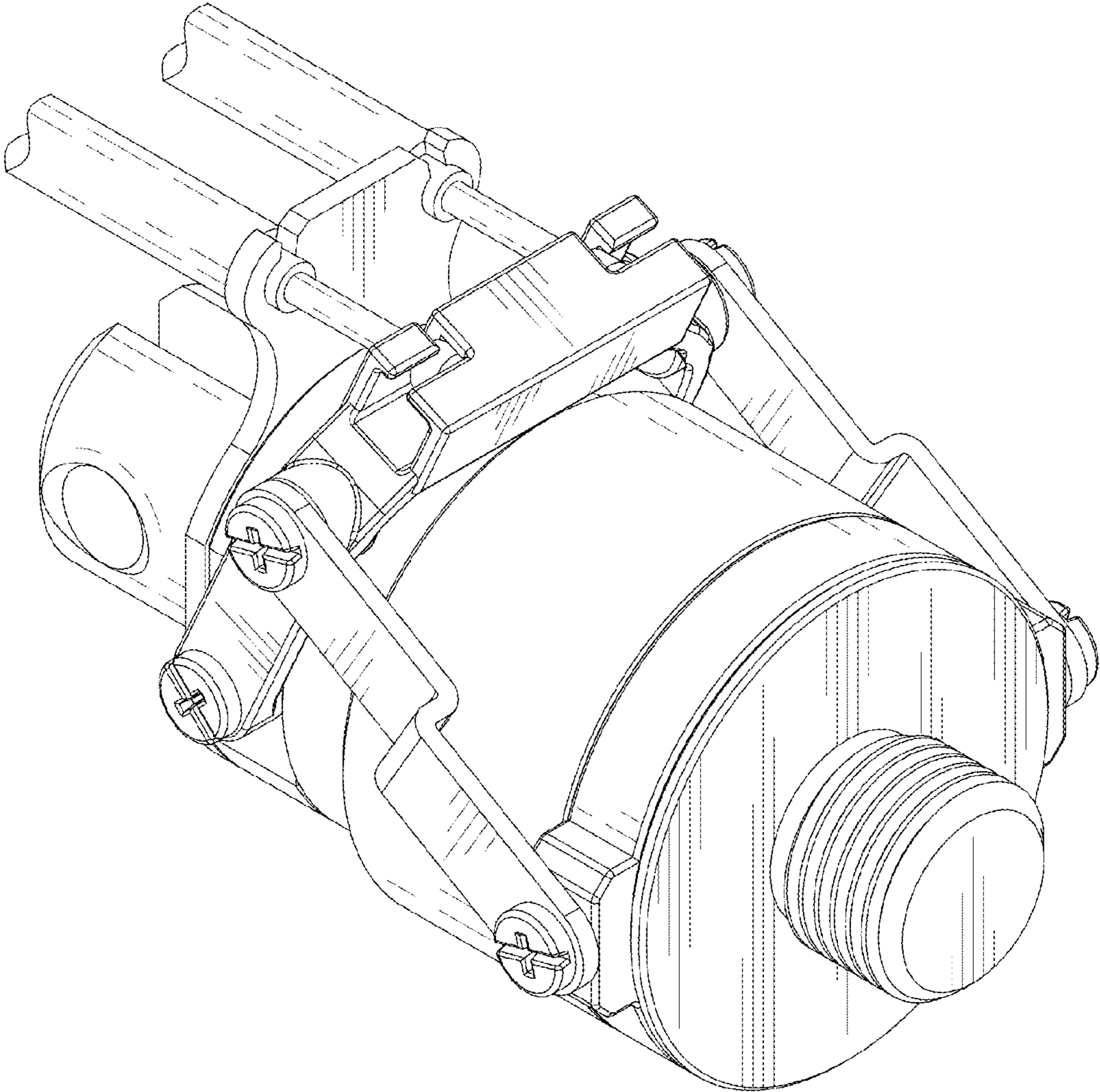


FIG.8

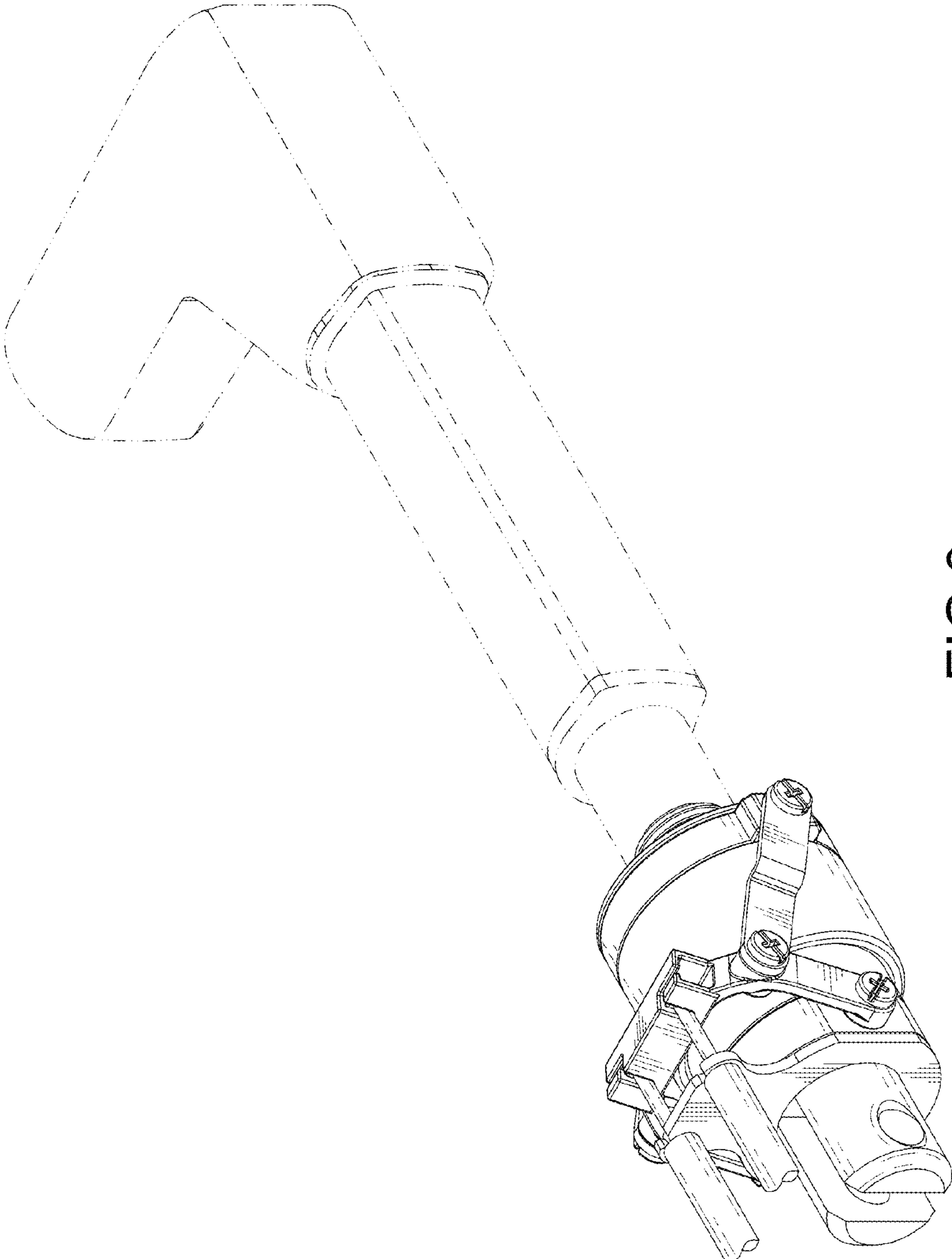


FIG. 9