



US00D686258S

(12) **United States Design Patent**
Wu

(10) **Patent No.:** **US D686,258 S**
(45) **Date of Patent:** **** Jul. 16, 2013**

(54) **HAND TURN MOVER FOR LINEAR ACTUATOR**

D563,188 S * 3/2008 Hu D8/70
D590,685 S * 4/2009 Sterling D8/70
D625,346 S * 10/2010 Drenth et al. D15/138
D629,821 S * 12/2010 Jump D15/143

(71) Applicant: **Timotion Technology Co., Ltd.**, New Taipei (TW)

* cited by examiner

(72) Inventor: **Chou-Hsin Wu**, New Taipei (TW)

Primary Examiner — Patricia Palasik

(73) Assignee: **Timotion Technology Co., Ltd.**, New Taipei (TW)

(74) *Attorney, Agent, or Firm* — Chun-Ming Shih; HDLS IPR Services

(**) Term: **14 Years**

(57) **CLAIM**

The ornamental design for a hand turn mover for linear actuator, as shown and described.

(21) Appl. No.: **29/443,611**

DESCRIPTION

(22) Filed: **Jan. 18, 2013**

(51) **LOC (9) Cl.** **15-09**

FIG. 1 is a perspective view of a hand turn mover for linear actuator showing my new design;

(52) **U.S. Cl.**

FIG. 2 is a front view thereof;

USPC **D15/143**; D15/199

FIG. 3 is a rear view thereof;

(58) **Field of Classification Search**

USPC D13/118, 158, 162, 184; D15/1-5, D15/7, 9, 143, 148, 149, 199; 74/89.15, 90.15, 74/411.5, 411.54, 490.09; 297/14, 325, 327; 310/10, 12, 15, 20, 20.8, 80, 300

FIG. 4 is a left side view thereof;

FIG. 5 is a right side view thereof;

FIG. 6 is a top view thereof;

FIG. 7 is a bottom view thereof; and

See application file for complete search history.

FIG. 8 is the other perspective view showing the hand turn mover for linear actuator; and,

FIG. 9 is a perspective view of the hand turn mover for linear actuator for reference.

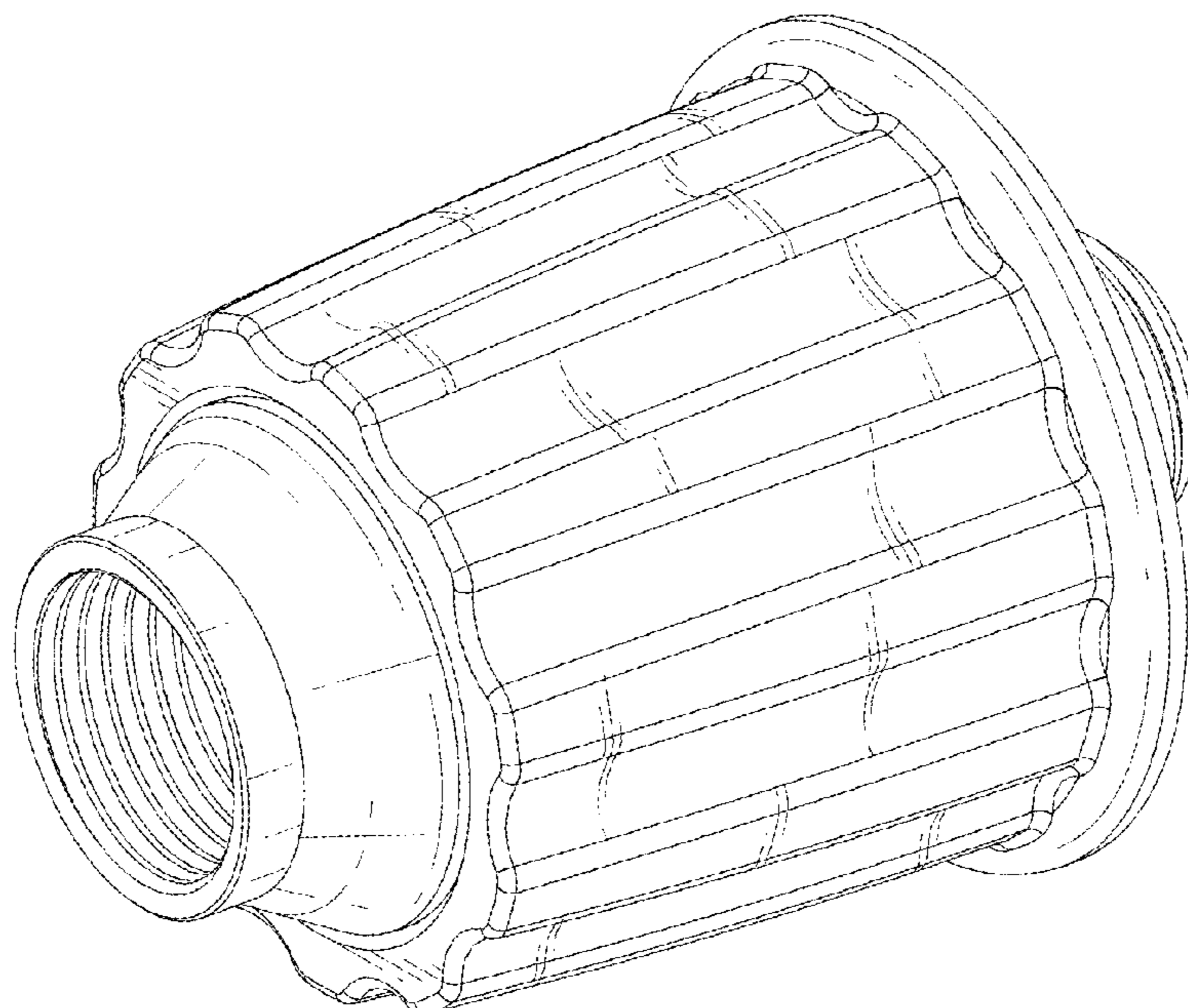
The broken lines shown represent unclaimed subject matter and form no part of the claimed design.

(56) **References Cited**

U.S. PATENT DOCUMENTS

D460,094 S * 7/2002 Mann et al. D15/199
D482,707 S * 11/2003 Kowalski D15/143
D520,324 S * 5/2006 Yaksich et al. D8/70

1 Claim, 7 Drawing Sheets



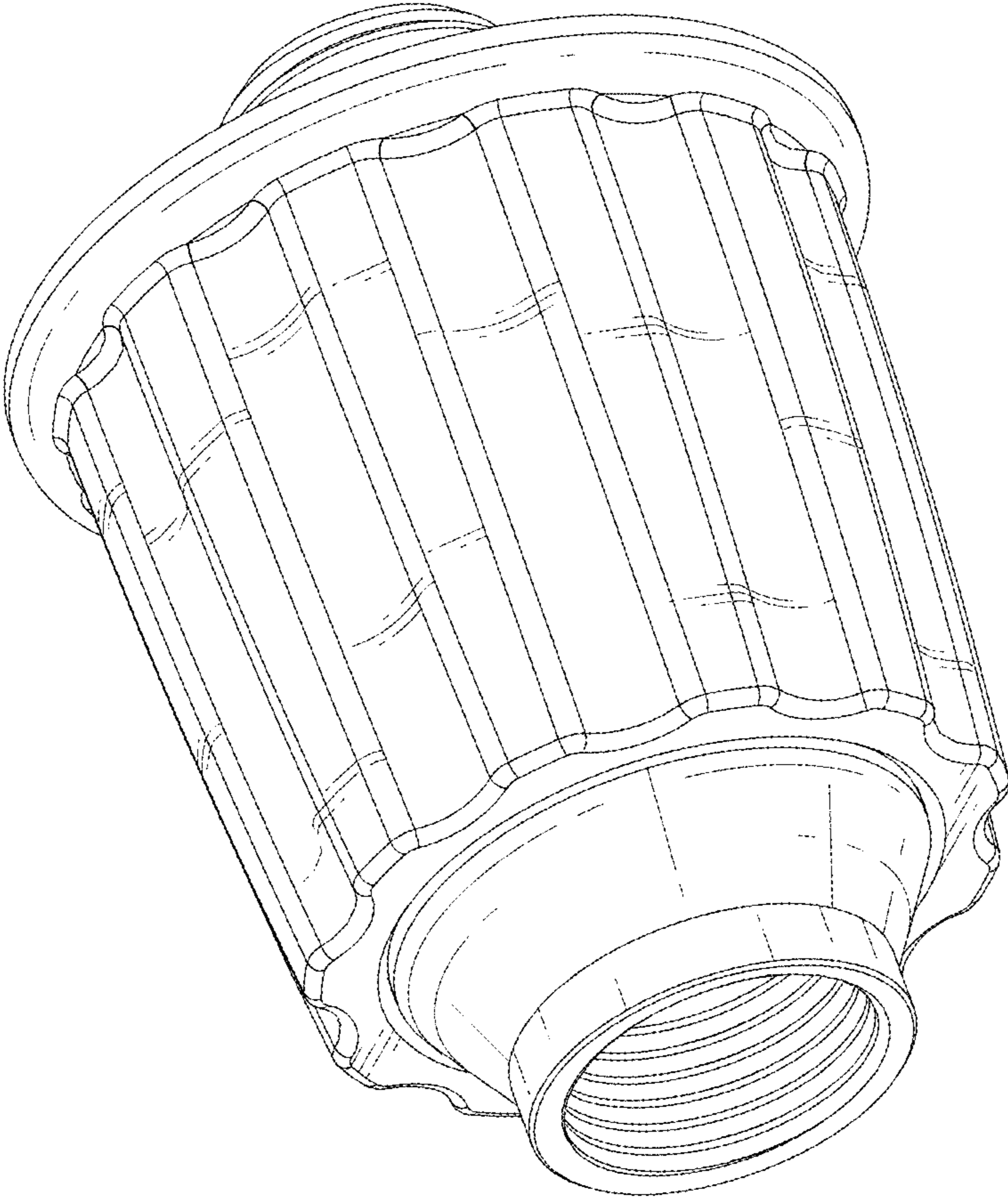


FIG.1

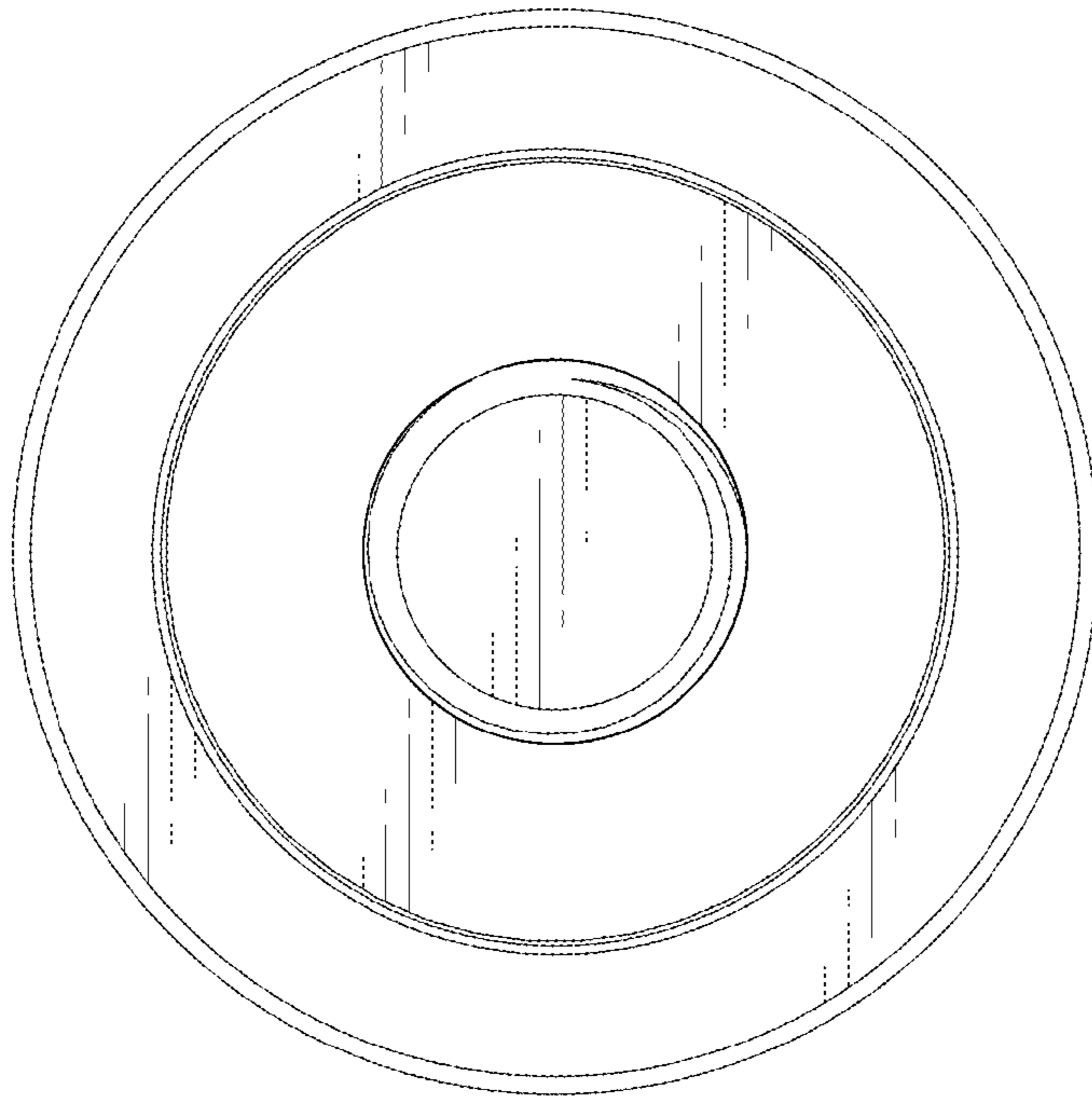


FIG.3

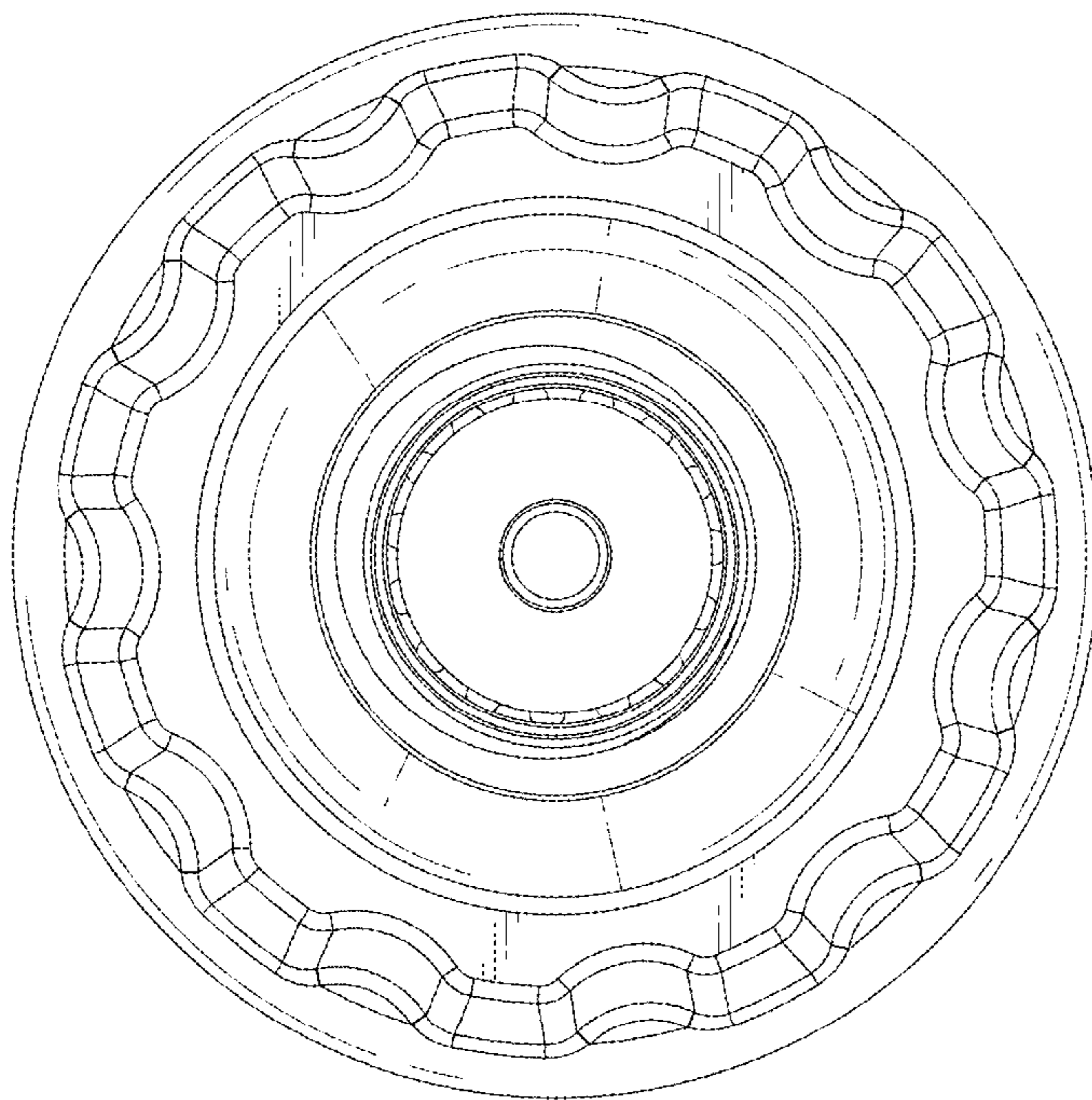


FIG.2

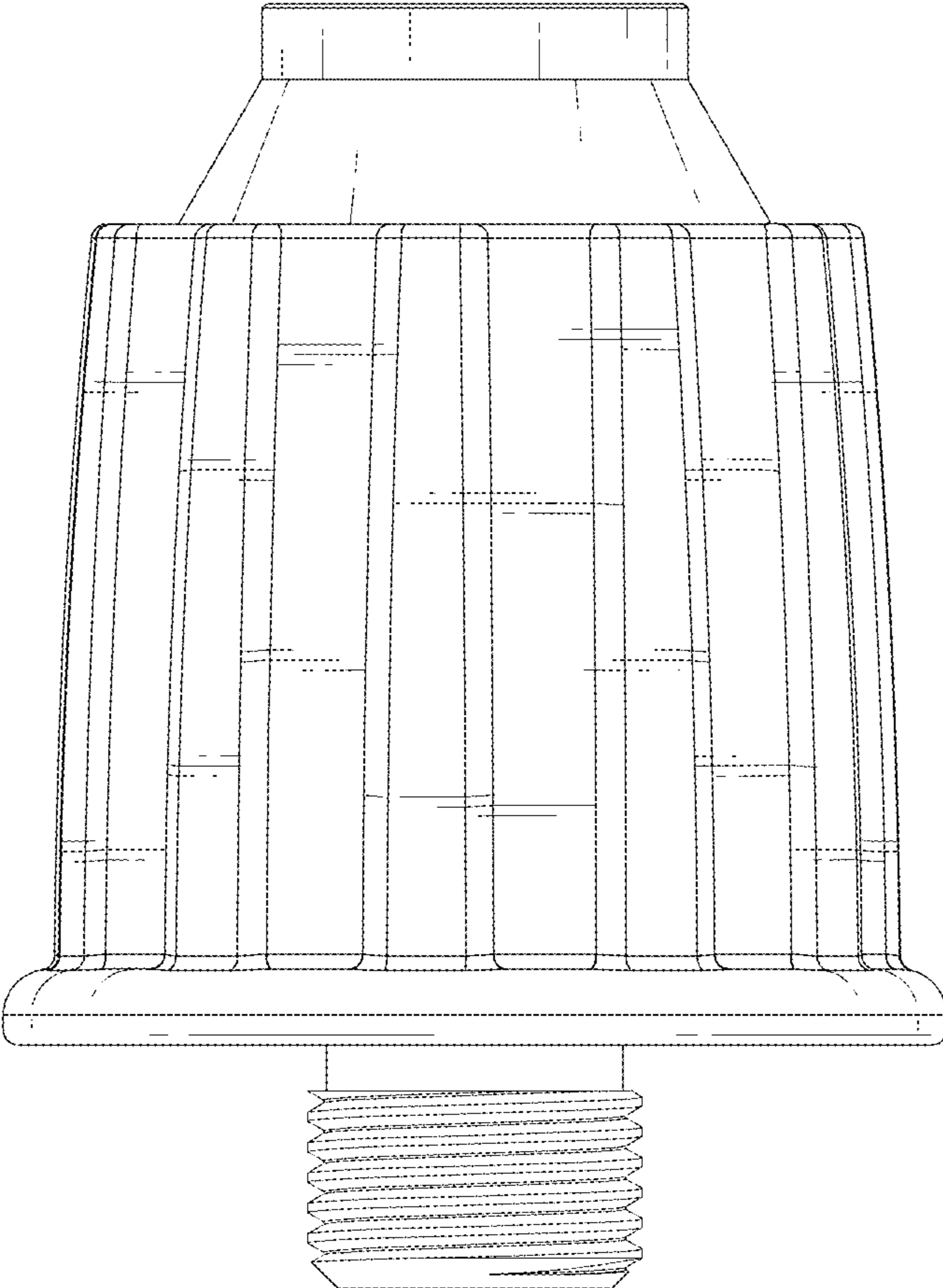


FIG.4

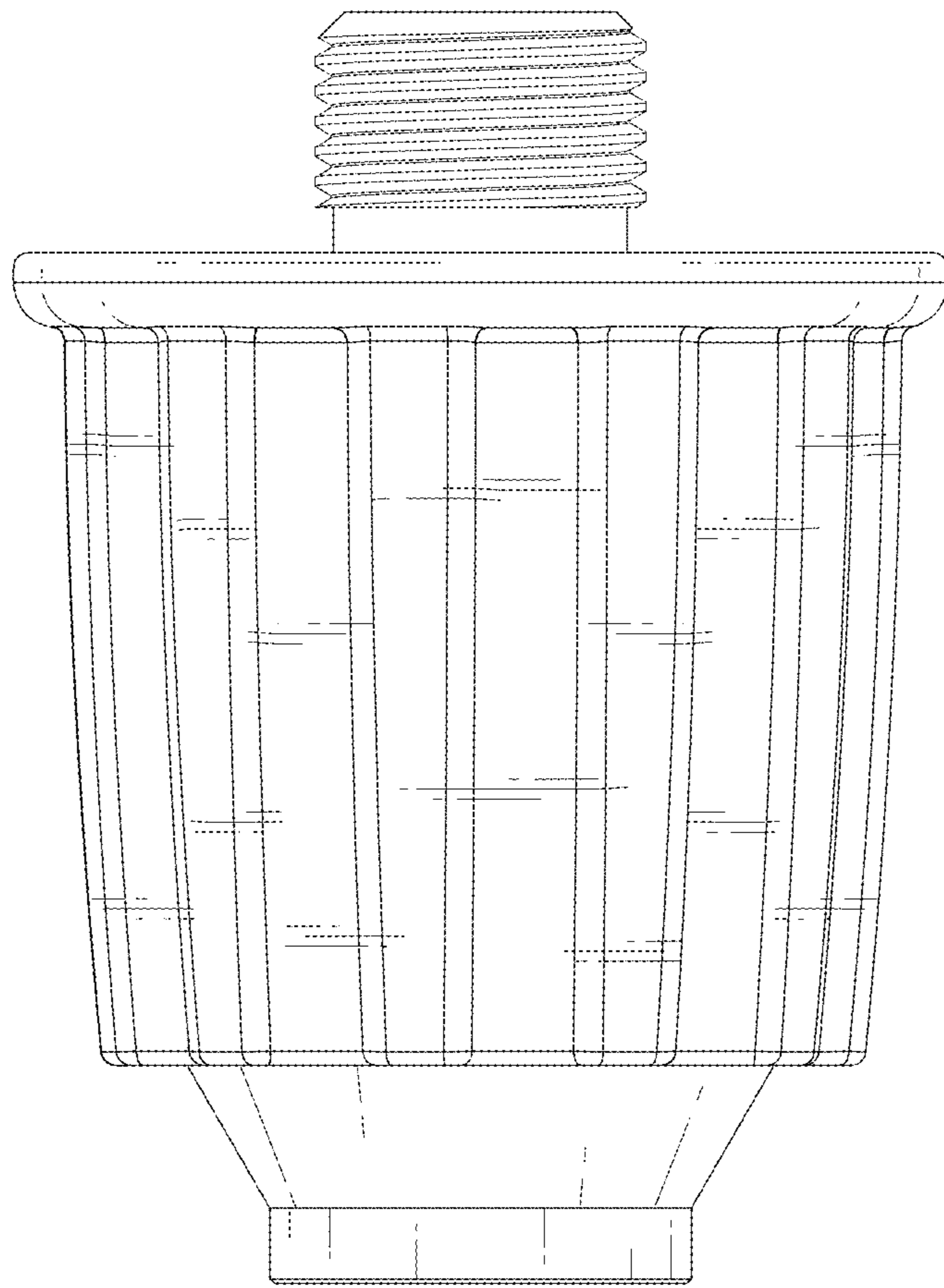


FIG.5

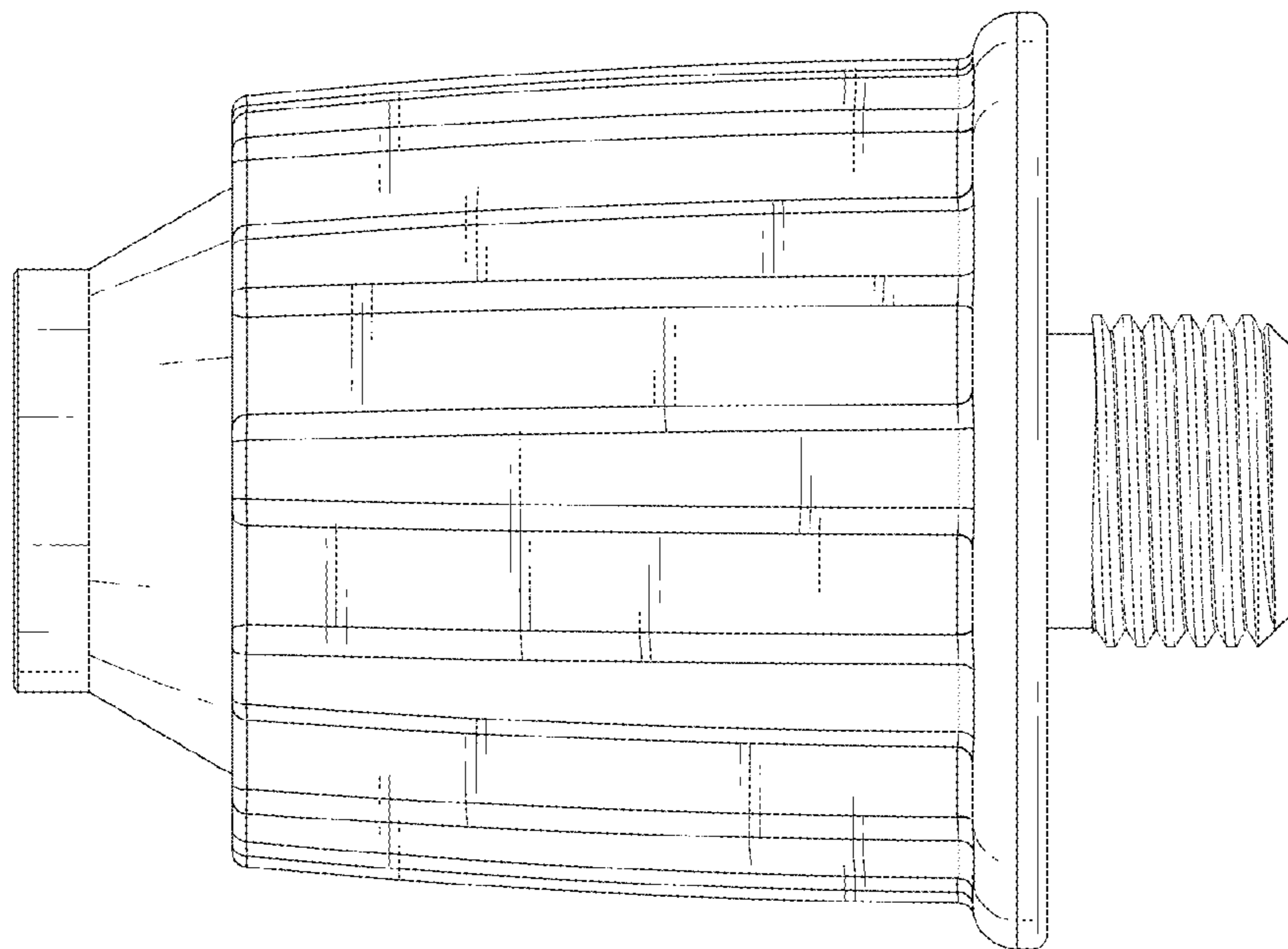


FIG. 7

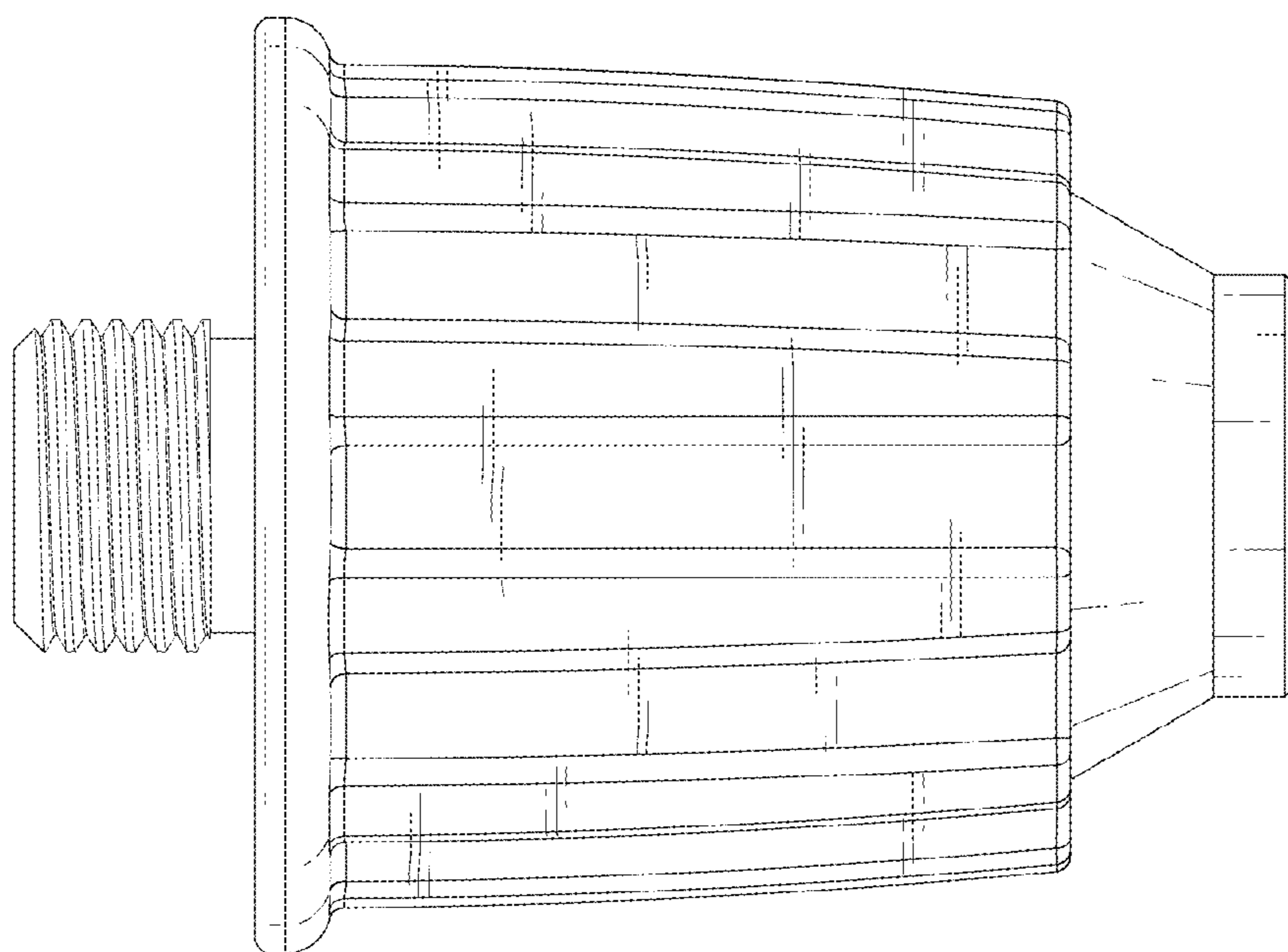


FIG. 6

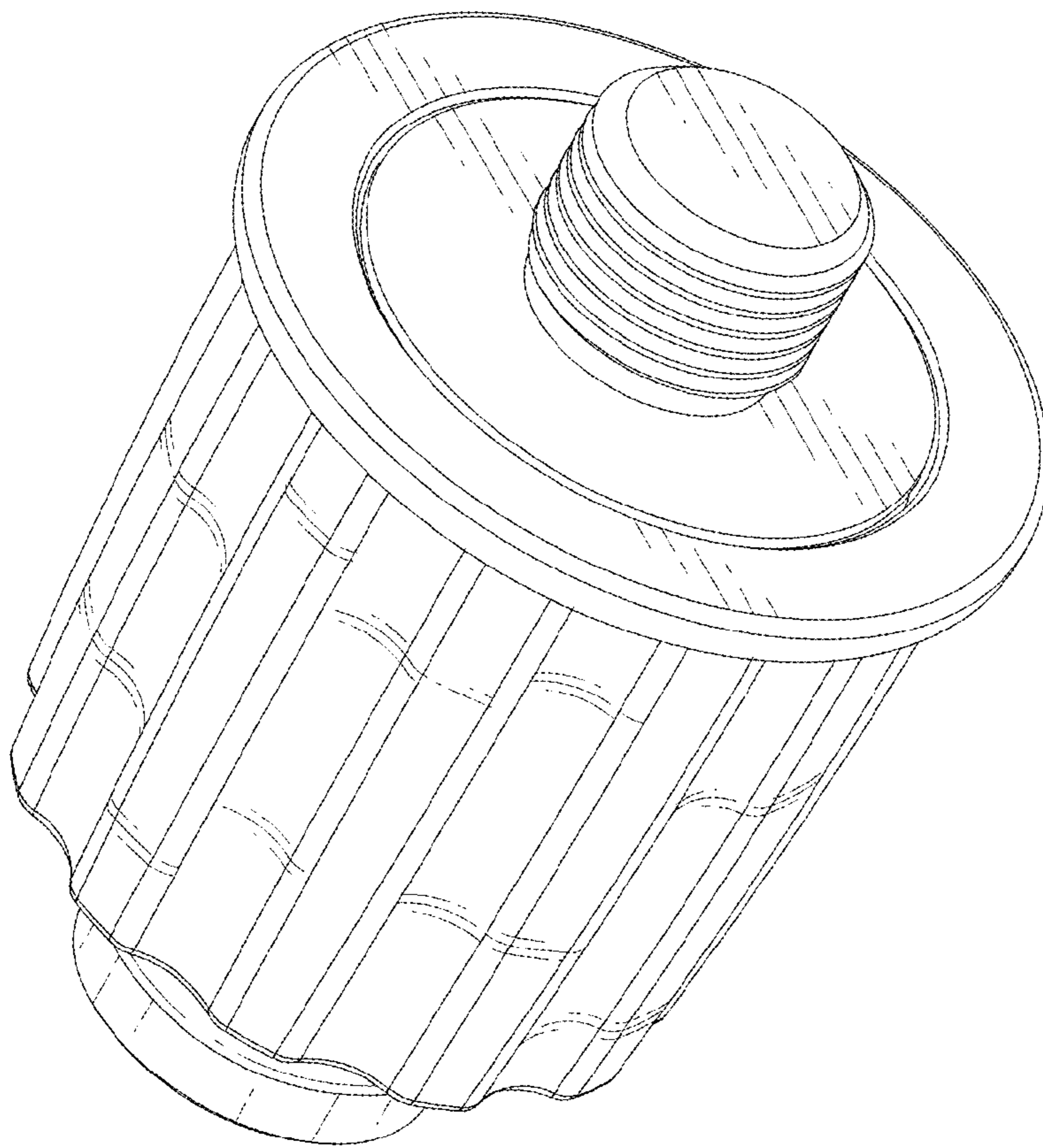


FIG.8

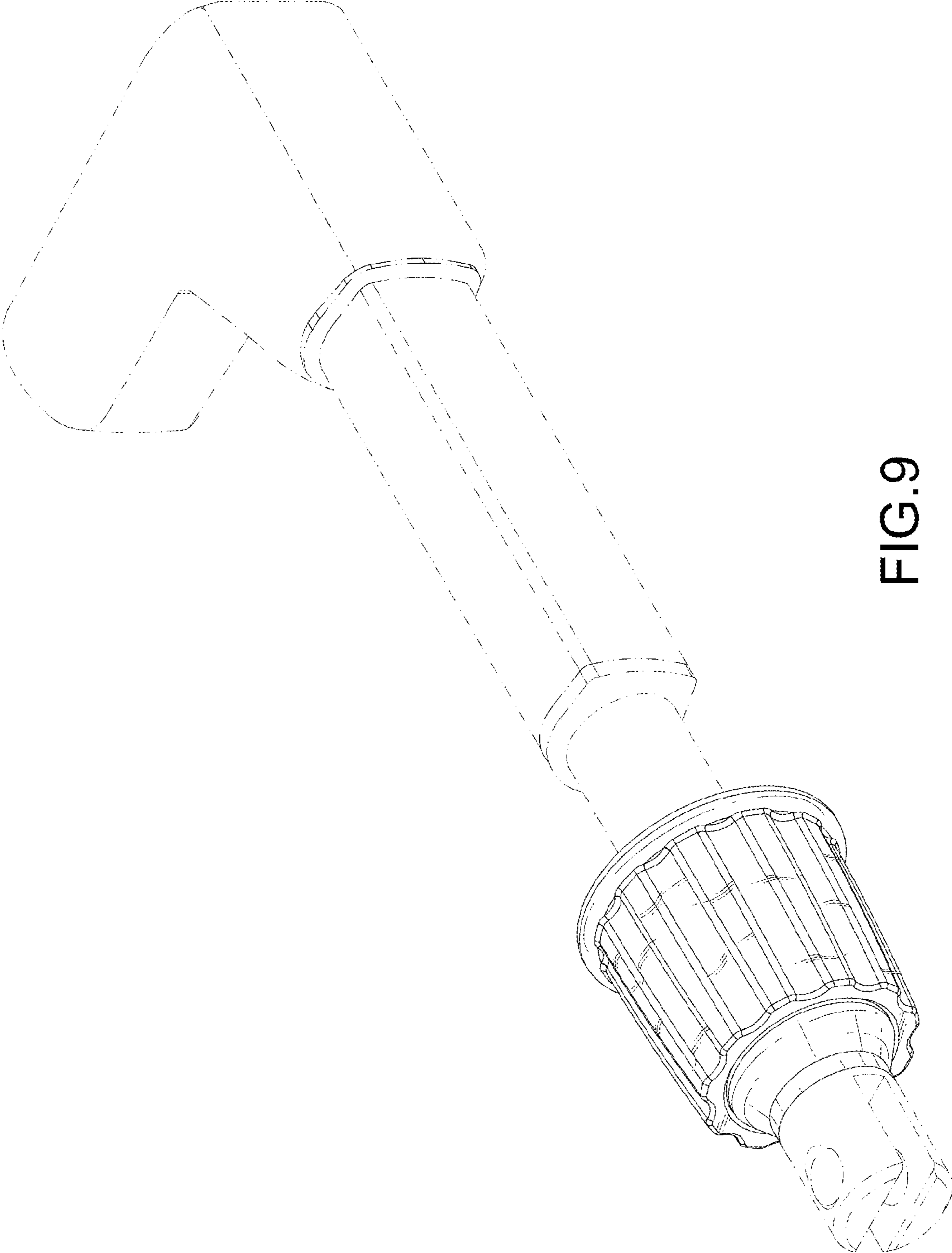


FIG. 9