



US00D686257S

(12) **United States Design Patent**
Wu

(10) **Patent No.:** **US D686,257 S**
(45) **Date of Patent:** **** Jul. 16, 2013**

(54) **LINEAR ACTUATOR**

(71) Applicant: **Timotion Technology Co., Ltd.**, New Taipei (TW)

(72) Inventor: **Chou-Hsin Wu**, New Taipei (TW)

(73) Assignee: **Timotion Technology Co., Ltd.**, New Taipei (TW)

(**) Term: **14 Years**

(21) Appl. No.: **29/443,608**

(22) Filed: **Jan. 18, 2013**

(51) **LOC (9) Cl.** **15-09**

(52) **U.S. Cl.**
USPC **D15/143**; D15/199

(58) **Field of Classification Search**
USPC D13/118, 158, 162, 184; D15/1-5,
D15/7, 9, 143, 148, 149, 199; 74/89.15, 90.15,
74/411.5, 411.54, 490.09; 297/14, 325, 327;
310/10, 12, 15, 20, 20.8, 80, 300
See application file for complete search history.

(56) **References Cited**

U.S. PATENT DOCUMENTS

D333,666 S * 3/1993 Kawashima et al. D15/142
D413,129 S * 8/1999 Nagai et al. D15/199
D587,733 S * 3/2009 Niedermeyer D15/143

D611,514 S * 3/2010 Fukano et al. D15/143
D624,099 S * 9/2010 Fukano et al. D15/143
D624,572 S * 9/2010 Fukano et al. D15/143
D636,799 S * 4/2011 Fukano et al. D15/143
D656,169 S * 3/2012 Fukano et al. D15/143
D664,169 S * 7/2012 Shirai et al. D15/143
2008/0048514 A1 * 2/2008 Hoffmann et al. 310/78

* cited by examiner

Primary Examiner — Patricia Palasik

(74) *Attorney, Agent, or Firm* — Chun-Ming Shih; HDLS IPR Services

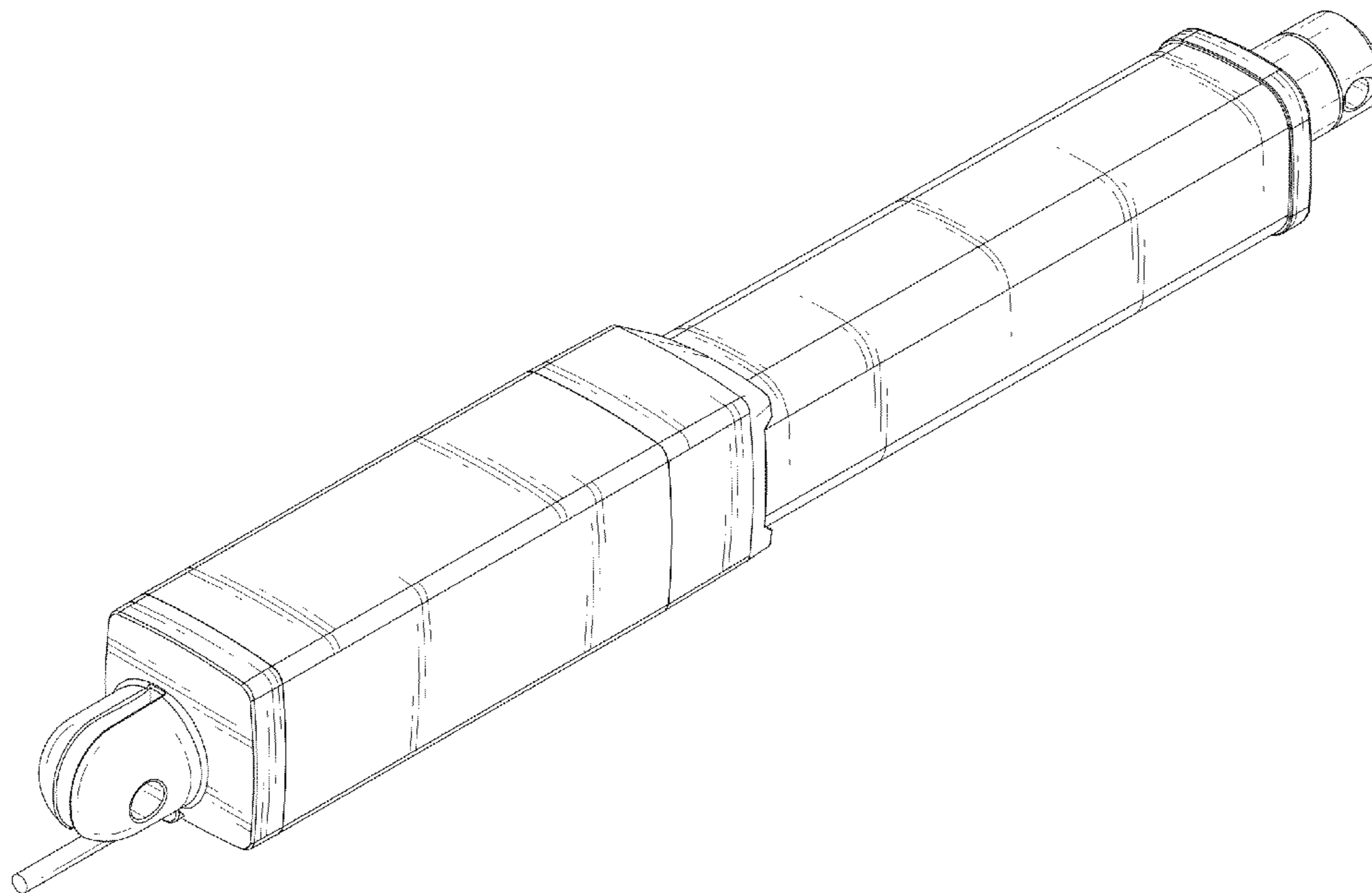
(57) **CLAIM**

The ornamental design for a linear actuator, as shown and described.

DESCRIPTION

FIG. 1 is a perspective view of a linear actuator showing my new design;
FIG. 2 is a front view thereof;
FIG. 3 is a rear view thereof;
FIG. 4 is a left side view thereof;
FIG. 5 is a right side view thereof;
FIG. 6 is a top view thereof;
FIG. 7 is a bottom view thereof; and
FIG. 8 is another perspective view showing the linear actuator; and,
FIG. 9 is the other perspective view showing the linear actuator.

1 Claim, 7 Drawing Sheets



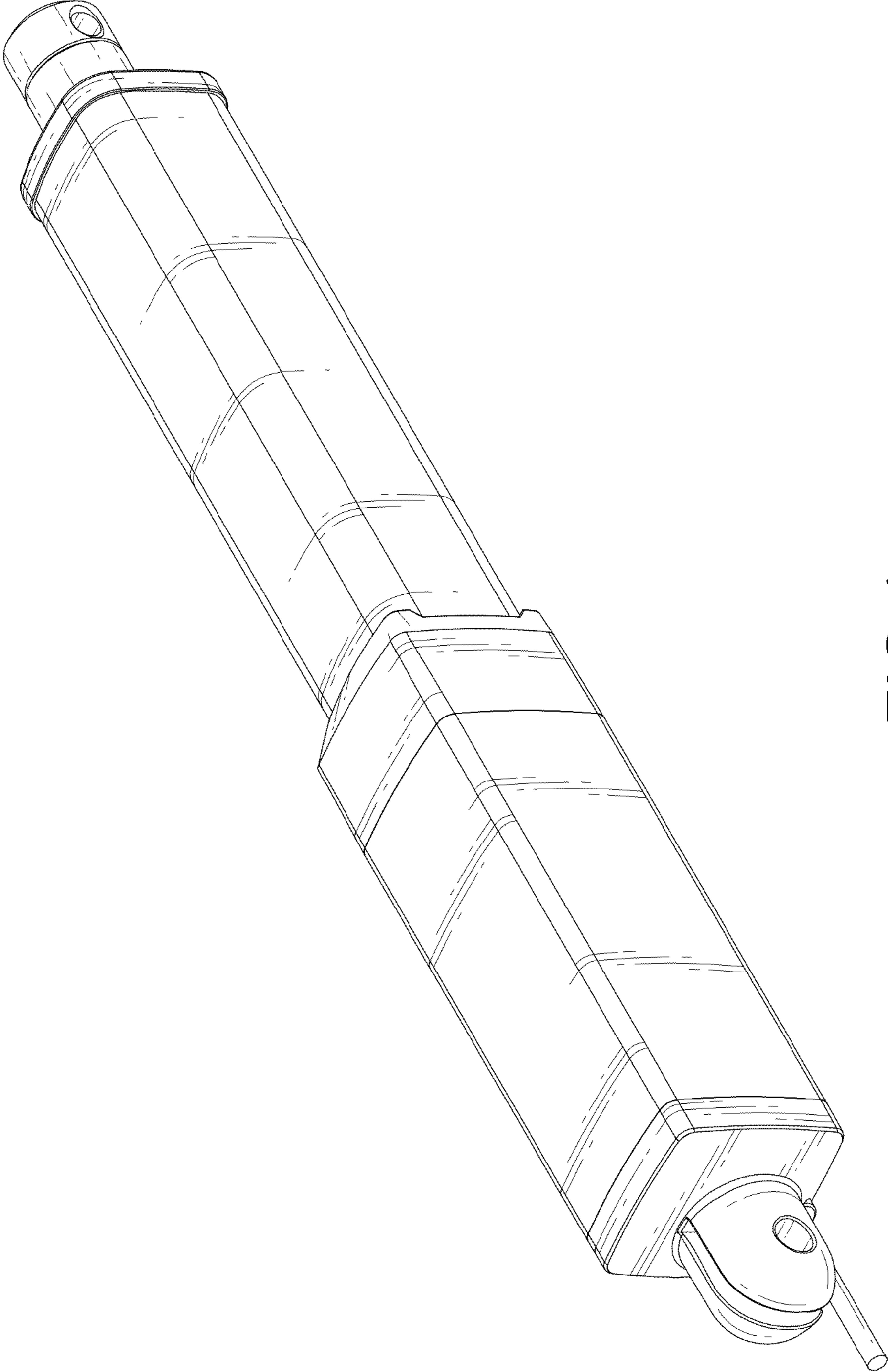


FIG.1

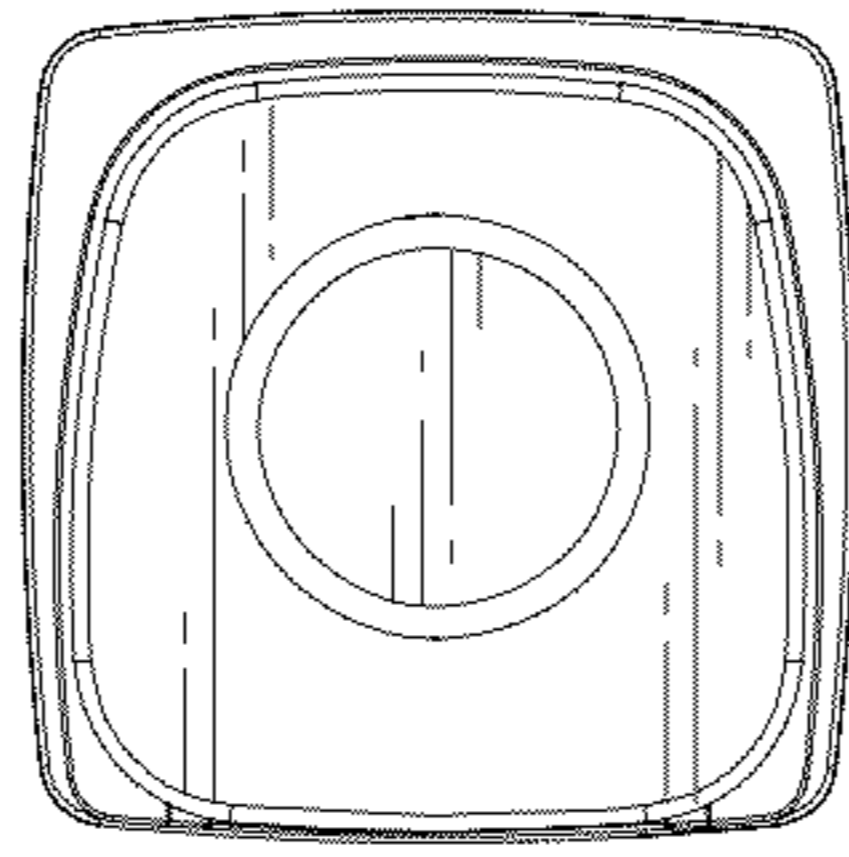


FIG.3

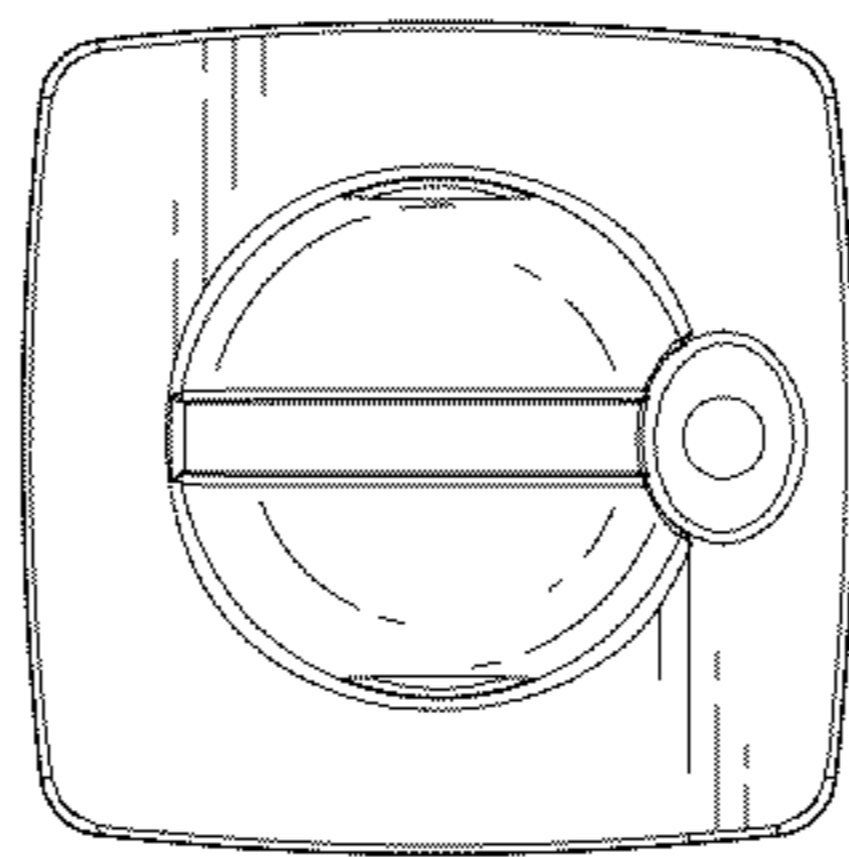


FIG.2

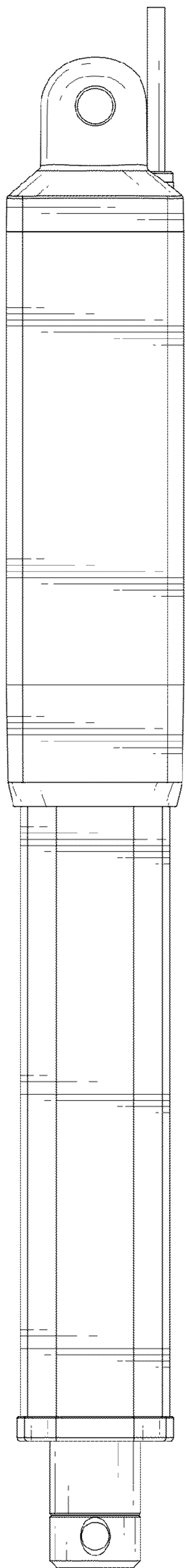


FIG.4

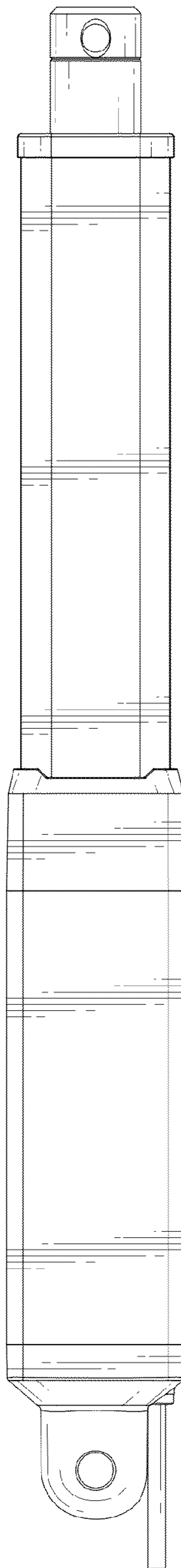


FIG.5

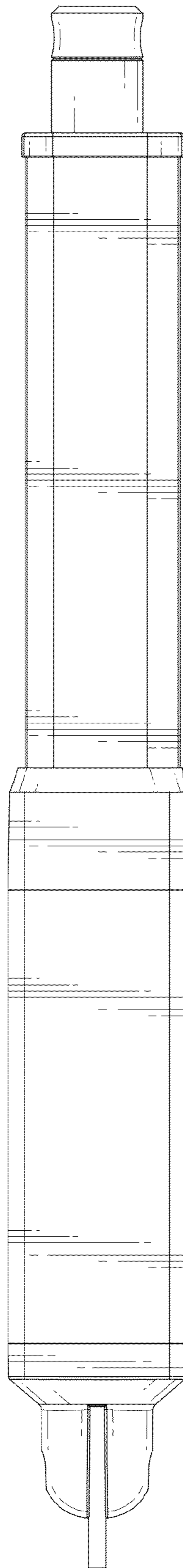


FIG.6

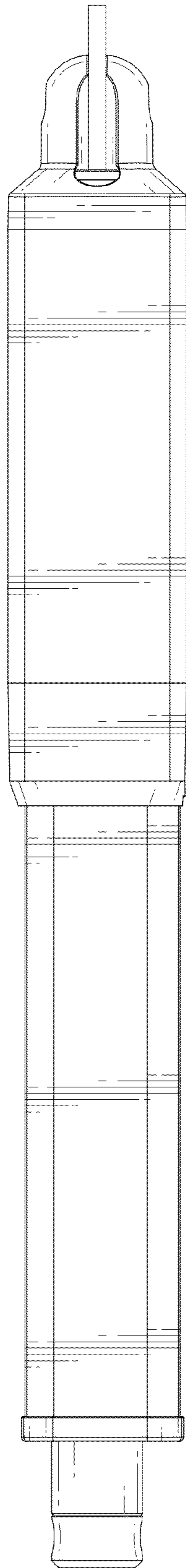


FIG.7

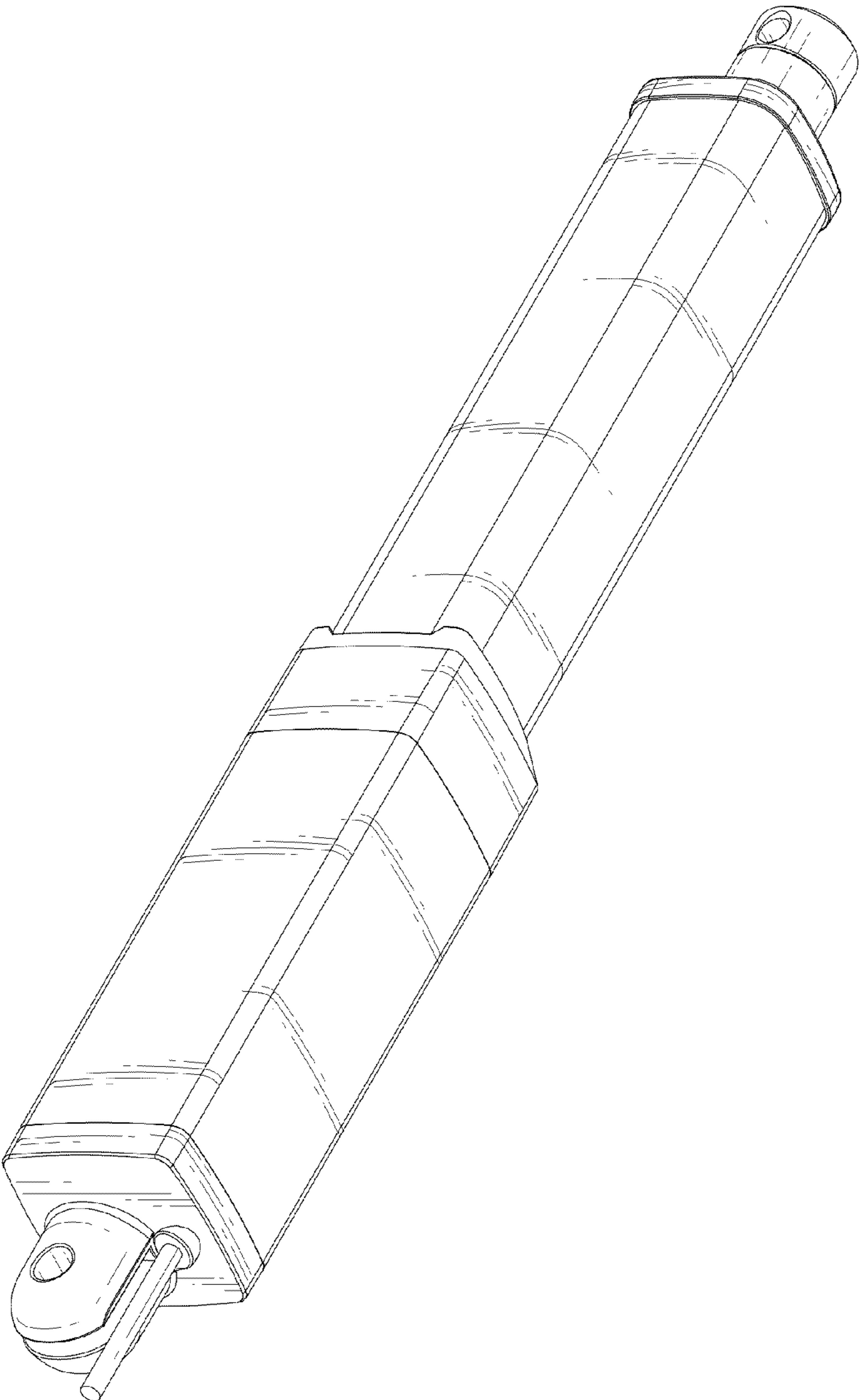


FIG.8

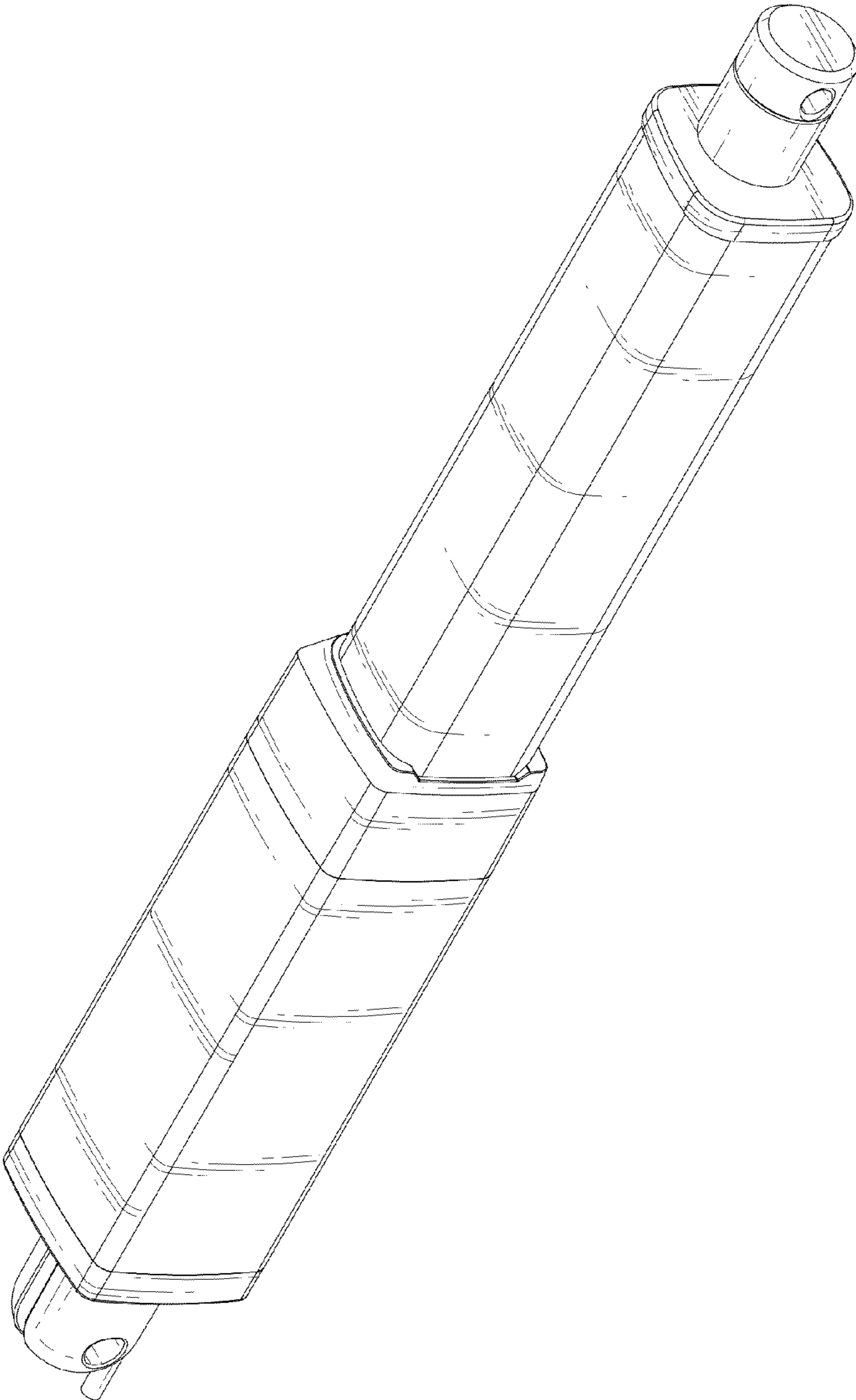


FIG.9