



US00D686256S

(12) **United States Design Patent**  
**Agar et al.**

(10) **Patent No.:** **US D686,256 S**  
(45) **Date of Patent:** **\*\* Jul. 16, 2013**

(54) **DRILL**

(56) **References Cited**

(71) Applicant: **Agar Corporation Ltd.**, Grand Cayman (KY)

U.S. PATENT DOCUMENTS

(72) Inventors: **Joram Agar**, Grand Cayman (KY);  
**Hector Alfredo Viale-Rigo Capuzzo**,  
Katy, TX (US); **David Farchy**, Bellaire,  
TX (US)

2,937,544	A *	5/1960	Forgy et al.	408/112
D205,469	S *	8/1966	Pedersen	D15/139
4,503,383	A	3/1985	Agar et al.	
D419,576	S *	1/2000	Burcher et al.	D15/139
6,739,872	B1 *	5/2004	Turri	433/75
7,258,513	B2 *	8/2007	Gertner	408/67
D644,327	S *	8/2011	Singh	D24/146
8,052,359	B2 *	11/2011	Wirth et al.	408/191
D656,612	S *	3/2012	Garcia et al.	D24/145
2002/0122703	A1 *	9/2002	Czyzewski et al.	408/1 R
2011/0110740	A1 *	5/2011	Liu	408/202

(73) Assignee: **Agar Corporation Ltd.**, Grand Cayman (KY)

\* cited by examiner

(\*\*) Term: **14 Years**

*Primary Examiner* — Patricia Palasik

(21) Appl. No.: **29/437,236**

(74) *Attorney, Agent, or Firm* — Andrew W. Chu; Craft Chu PLLC

(22) Filed: **Nov. 14, 2012**

(57) **CLAIM**

The ornamental design for a drill, as shown and described.

(51) **LOC (9) Cl.** ..... **15-09**

**DESCRIPTION**

(52) **U.S. Cl.**

USPC ..... **D15/139**

(58) **Field of Classification Search**

USPC ..... D8/16, 19, 21–29, 64, 66, 70, 90–99;  
D15/127, 133, 138, 139; D22/146, 147; 7/118,  
7/148; 30/142, 144, 165, 166.3, 272.1, 314,  
30/320, 346, 346.55, 346.56, 346.6, 349,  
30/351, 355, 357; 81/119, 121.1, 124.3, 124.4,  
81/124.6, 125, 177.1, 177.2, 177.6, 177.85,  
81/436; 83/676, 835, 837–850; 408/204,  
408/205

FIG. 1 is an upper perspective view of the drill showing my design.

FIG. 2 is a top plan view thereof;

FIG. 3 is a bottom plan view thereof;

FIG. 4 is a side elevation view thereof;

FIG. 5 is an opposite side view thereof;

FIG. 6 is a front elevation view thereof;

FIG. 7 is a back elevation view thereof;

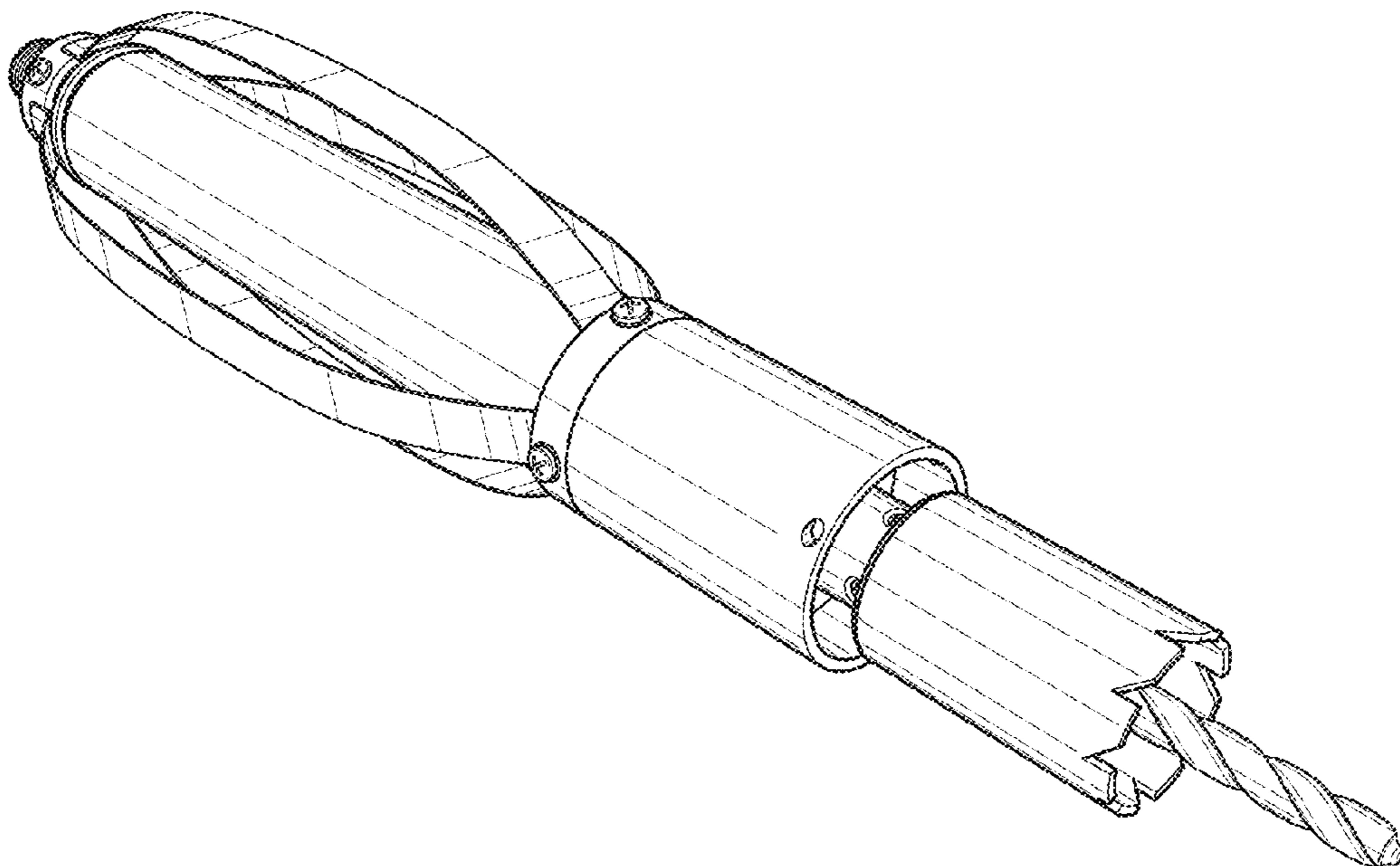
FIG. 8 is still another front perspective view thereof; and,

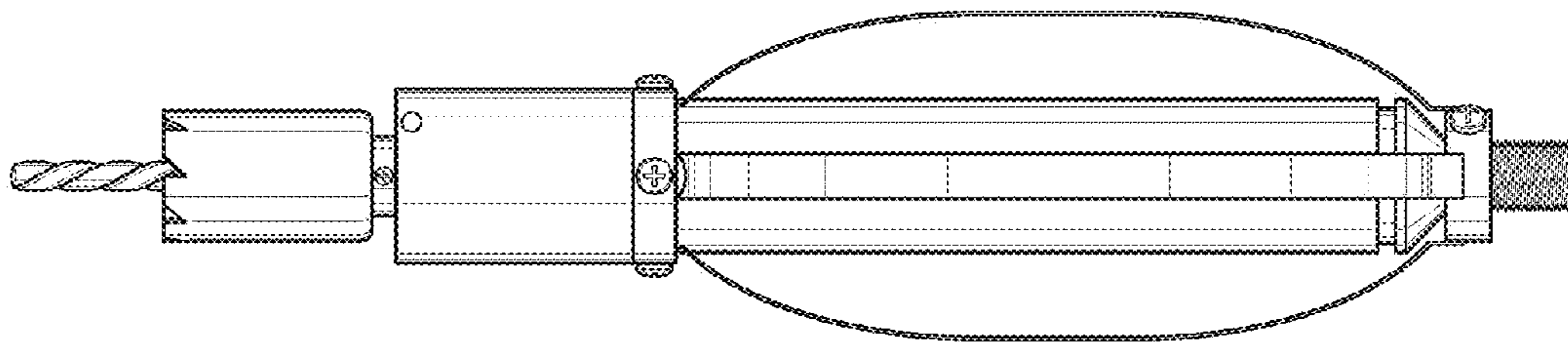
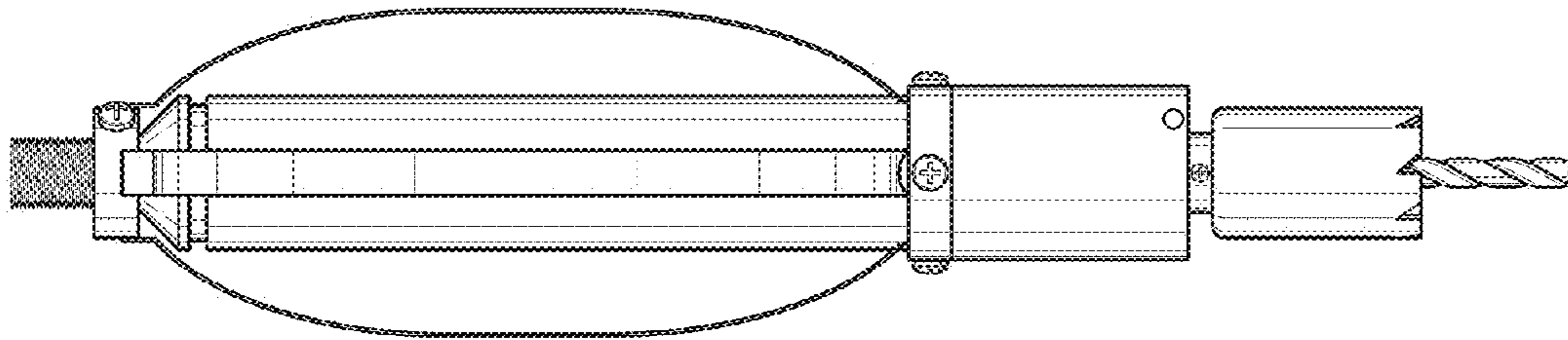
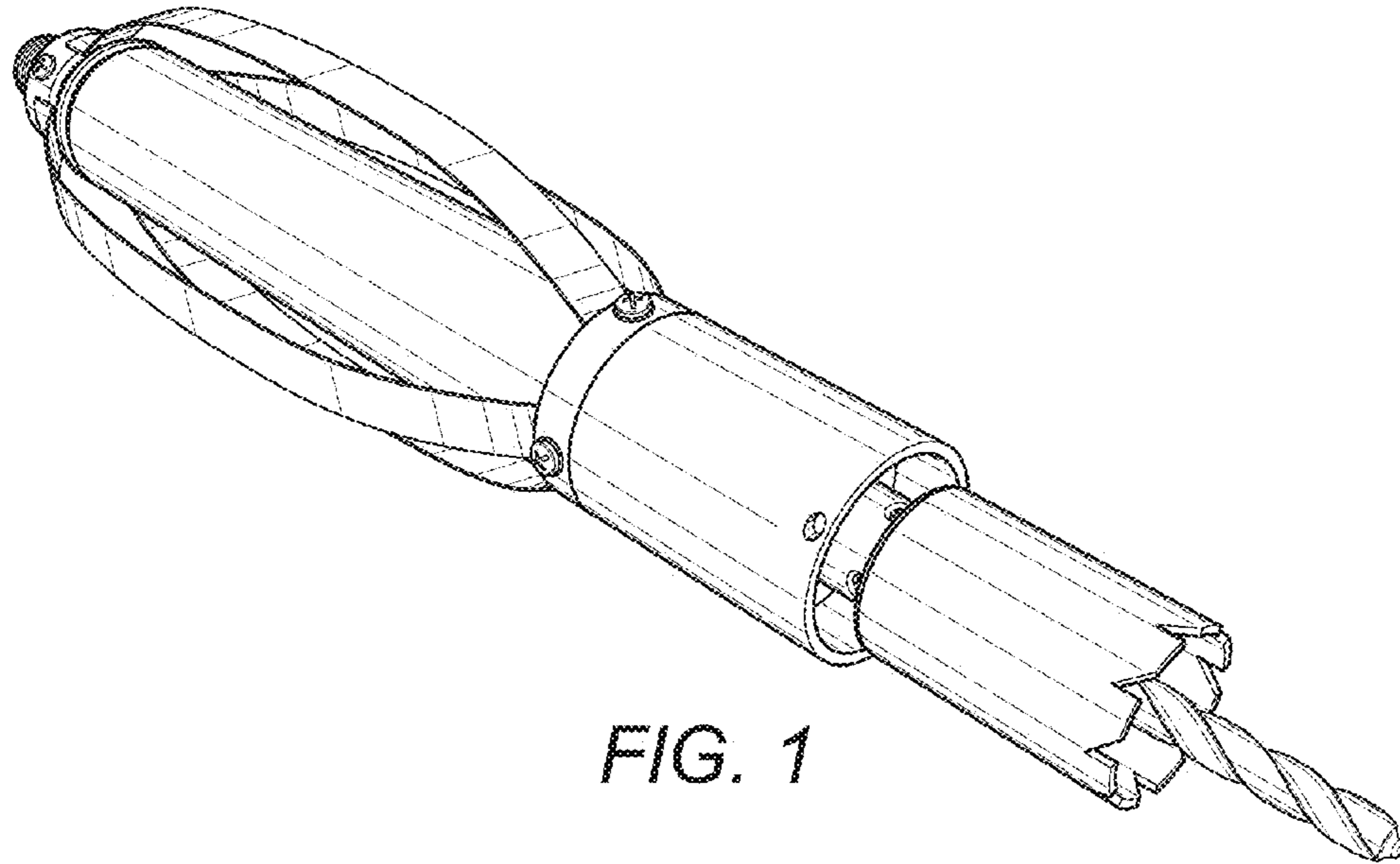
FIG. 9 is a perspective view, showing the drill mounted in an injection mechanism for positioning the drill, wherein the injection mechanism is shown in broken lines.

The broken line features are presented for illustrative purposes and form no part of the claimed design.

See application file for complete search history.

**1 Claim, 3 Drawing Sheets**





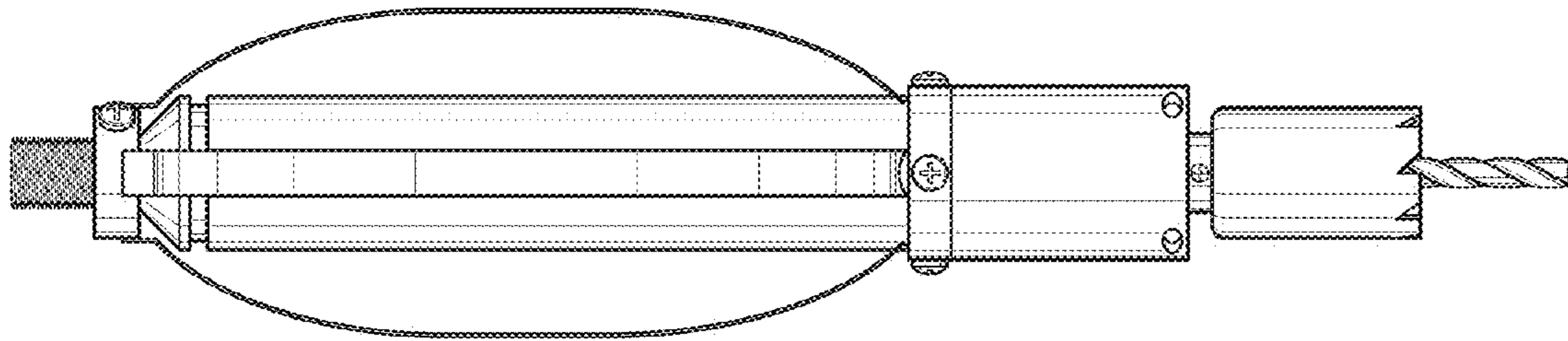


FIG. 4

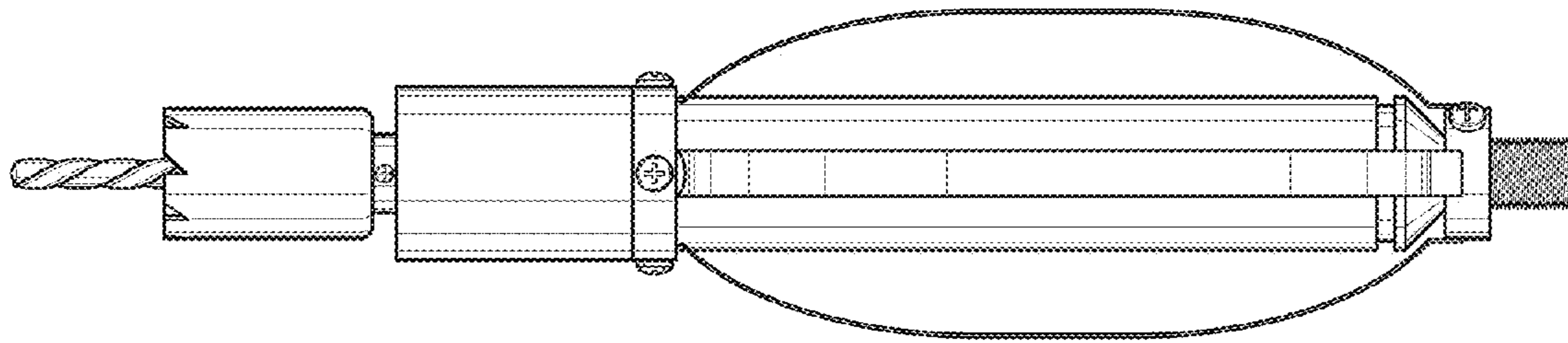


FIG. 5

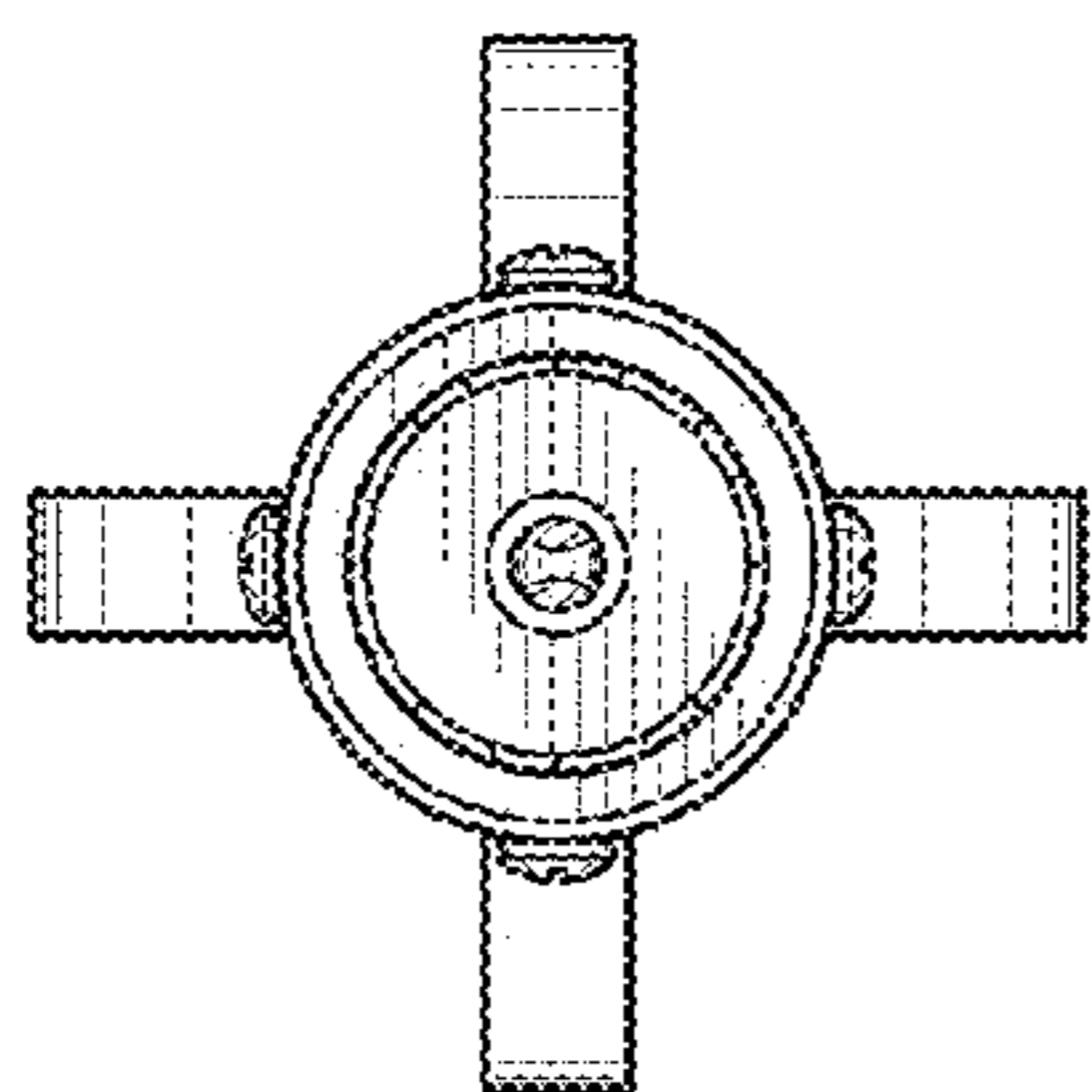


FIG. 6

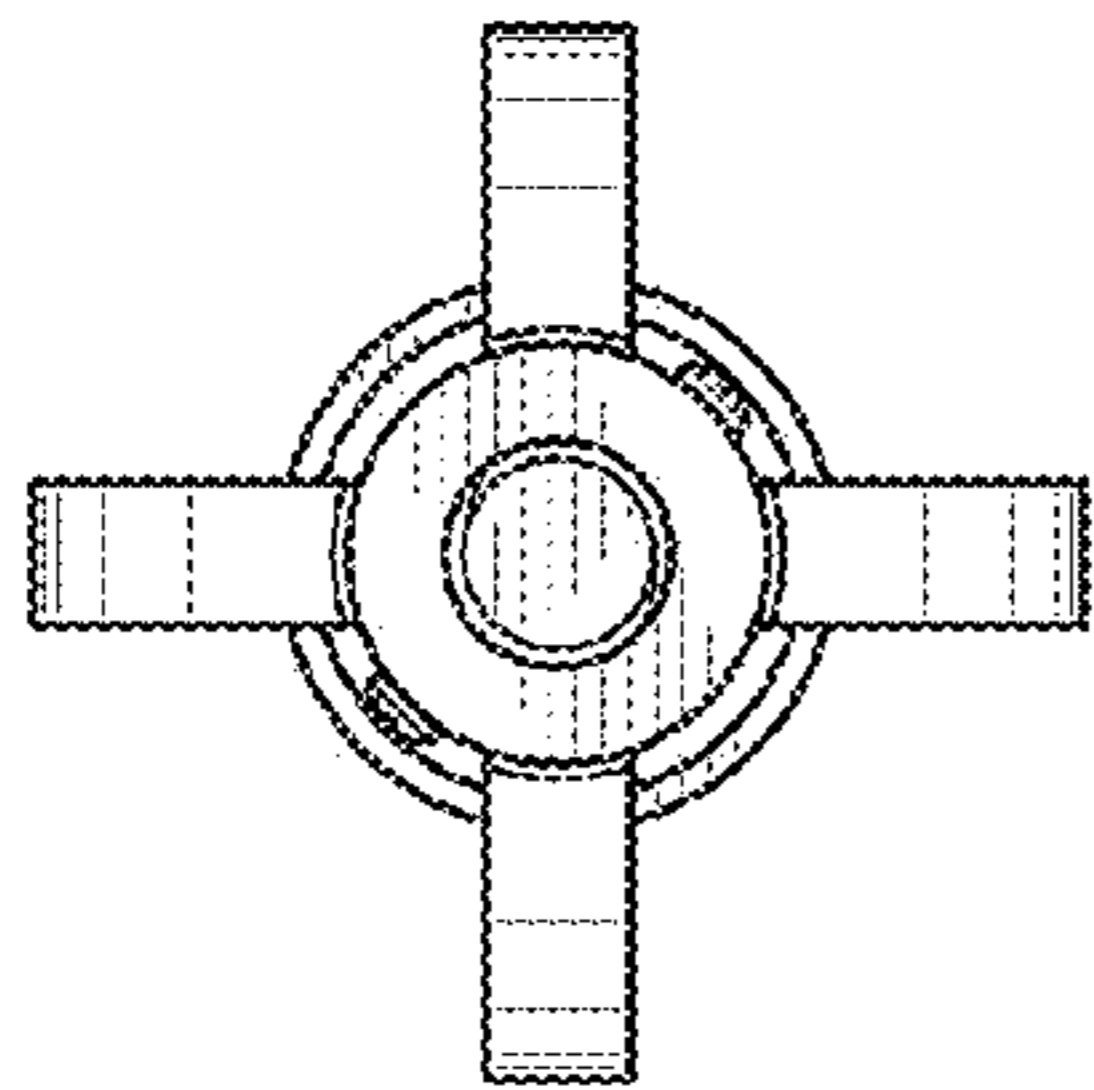


FIG. 7

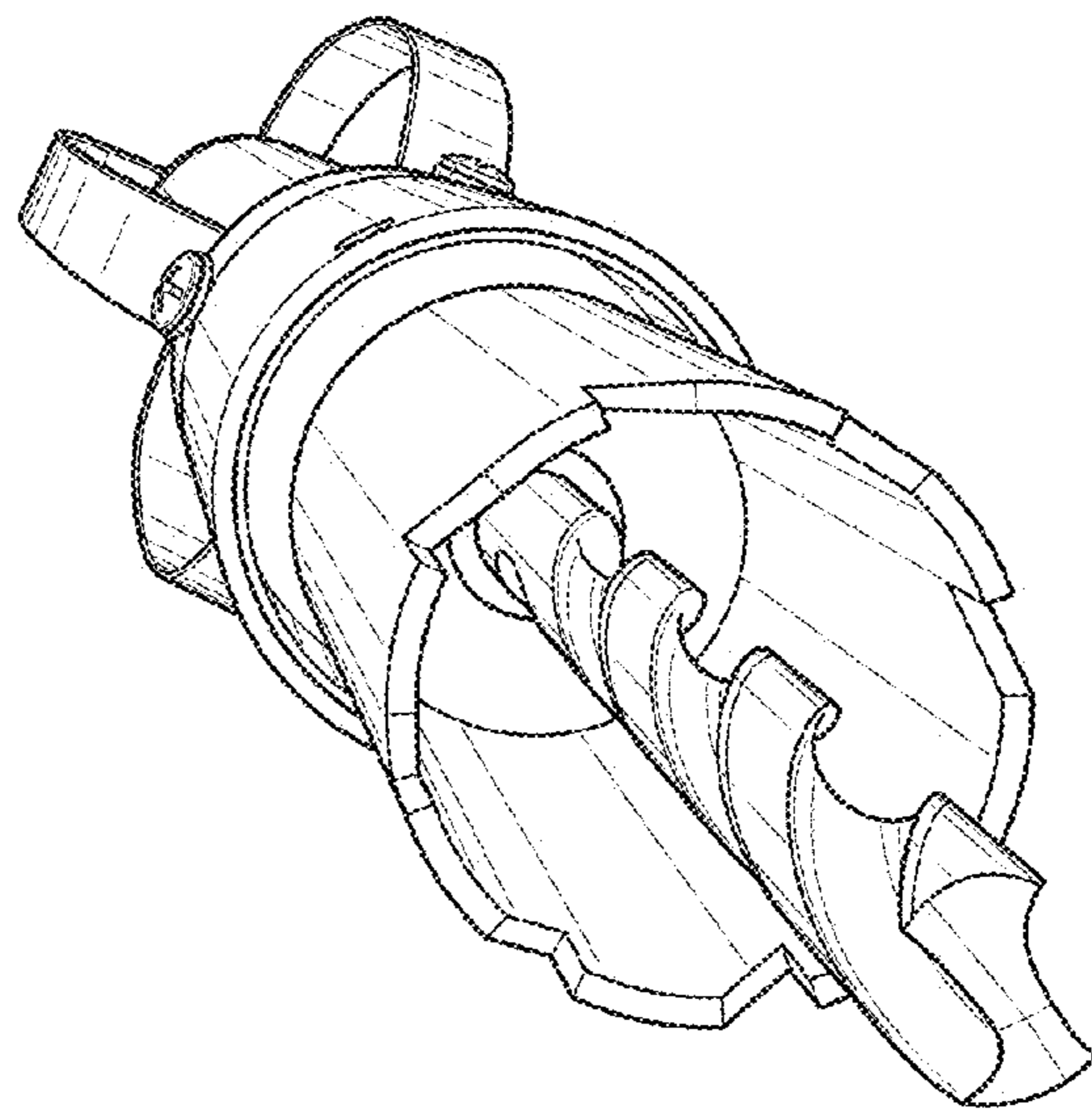


FIG. 8

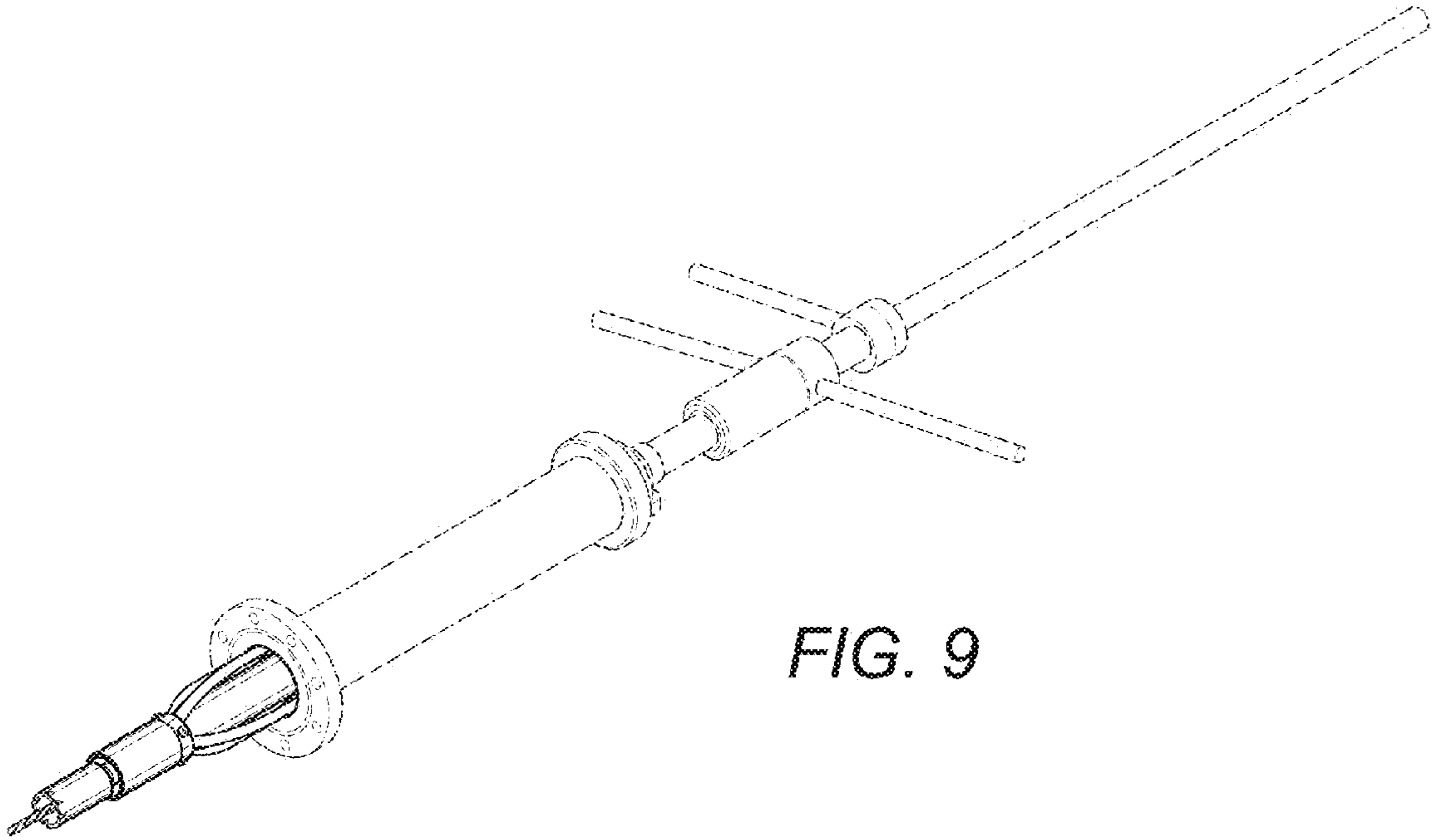


FIG. 9