



US00D686252S

(12) **United States Design Patent**
Urase et al.

(10) **Patent No.:** **US D686,252 S**
(45) **Date of Patent:** **** Jul. 16, 2013**

(54) **FRAME FOR A CONSTRUCTION MACHINE**

(71) Applicant: **Hitachi Construction Machinery Co., Ltd.**, Tokyo (JP)

(72) Inventors: **Kohei Urase**, Konan (JP); **Teruo Irino**, Konan (JP); **Katsuhiro Sasaki**, Koka (JP); **Yuuki Umizaki**, Koka (JP)

(73) Assignee: **Hitachi Construction Machinery Co., Ltd.**, Tokyo (JP)

(**) Term: **14 Years**

(21) Appl. No.: **29/436,684**

(22) Filed: **Nov. 8, 2012**

(30) **Foreign Application Priority Data**

May 10, 2012 (JP) 2012-010823

(51) **LOC (9) Cl.** **15-03**

(52) **U.S. Cl.**
USPC **D15/33**

(58) **Field of Classification Search**
USPC D15/22-26, 28, 32, 33; 180/311, 180/89.11, 89.12, 89.13, 327, 312; 280/781, 280/760; 296/190.01, 190.04
See application file for complete search history.

(56) **References Cited**

U.S. PATENT DOCUMENTS

D365,572 S * 12/1995 Cerny et al. D15/17
5,894,908 A * 4/1999 Eftefield 280/781
6,170,588 B1 * 1/2001 Irino et al. 180/89.1

6,499,556 B1 * 12/2002 Koyama 180/311
7,431,383 B2 * 10/2008 Katayama et al. 296/190.08
7,500,532 B2 * 3/2009 Koga et al. 180/89.13
7,503,419 B2 * 3/2009 Miyake 180/327
7,717,201 B2 * 5/2010 Park et al. 180/9.5
7,987,942 B2 * 8/2011 Lee 180/312
8,042,638 B2 * 10/2011 Tanaka 180/89.12
8,070,170 B2 * 12/2011 Crawford 280/6.154
8,177,017 B2 * 5/2012 Asam et al. 180/311
8,267,217 B2 * 9/2012 Kotani et al. 180/312
2007/0068722 A1 * 3/2007 Miyake 180/327
2011/0017537 A1 * 1/2011 Andou et al. 180/89.16

FOREIGN PATENT DOCUMENTS

JP 2011-220034 A 11/2011

* cited by examiner

Primary Examiner — Mark Goodwin

(74) *Attorney, Agent, or Firm* — Antonelli, Terry, Stout & Kraus, LLP.

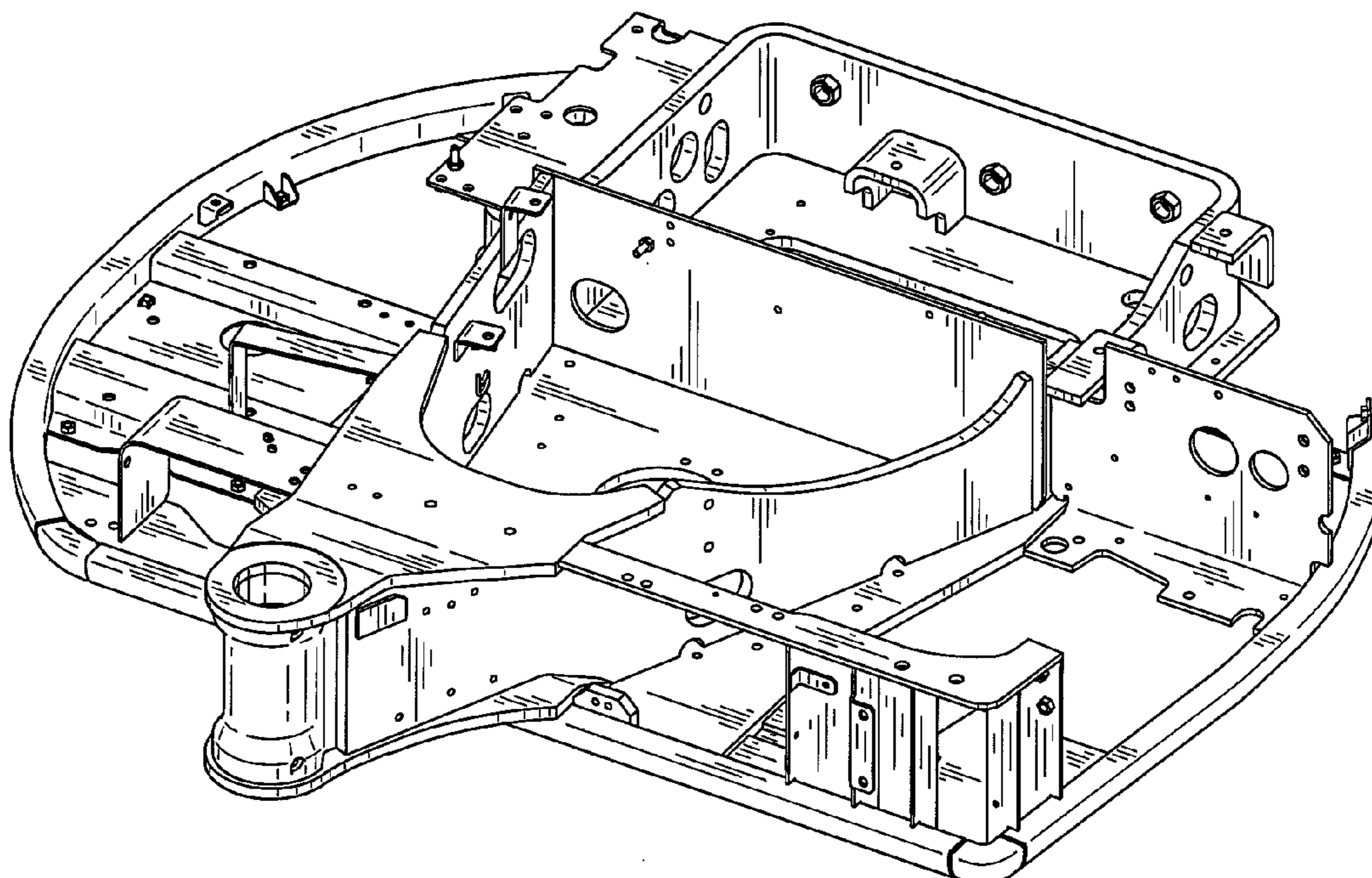
(57) **CLAIM**

The ornamental design for a frame for a construction machine, as shown.

DESCRIPTION

FIG. 1 is a front, bottom and left side perspective view of a frame for a construction machine showing our new design; FIG. 2 is a front elevational view thereof; FIG. 3 is a rear elevational view thereof; FIG. 4 is a left side elevational view thereof; FIG. 5 is a right side elevational view thereof; FIG. 6 is a top plan view thereof; and, FIG. 7 is a bottom plan view thereof.

1 Claim, 5 Drawing Sheets



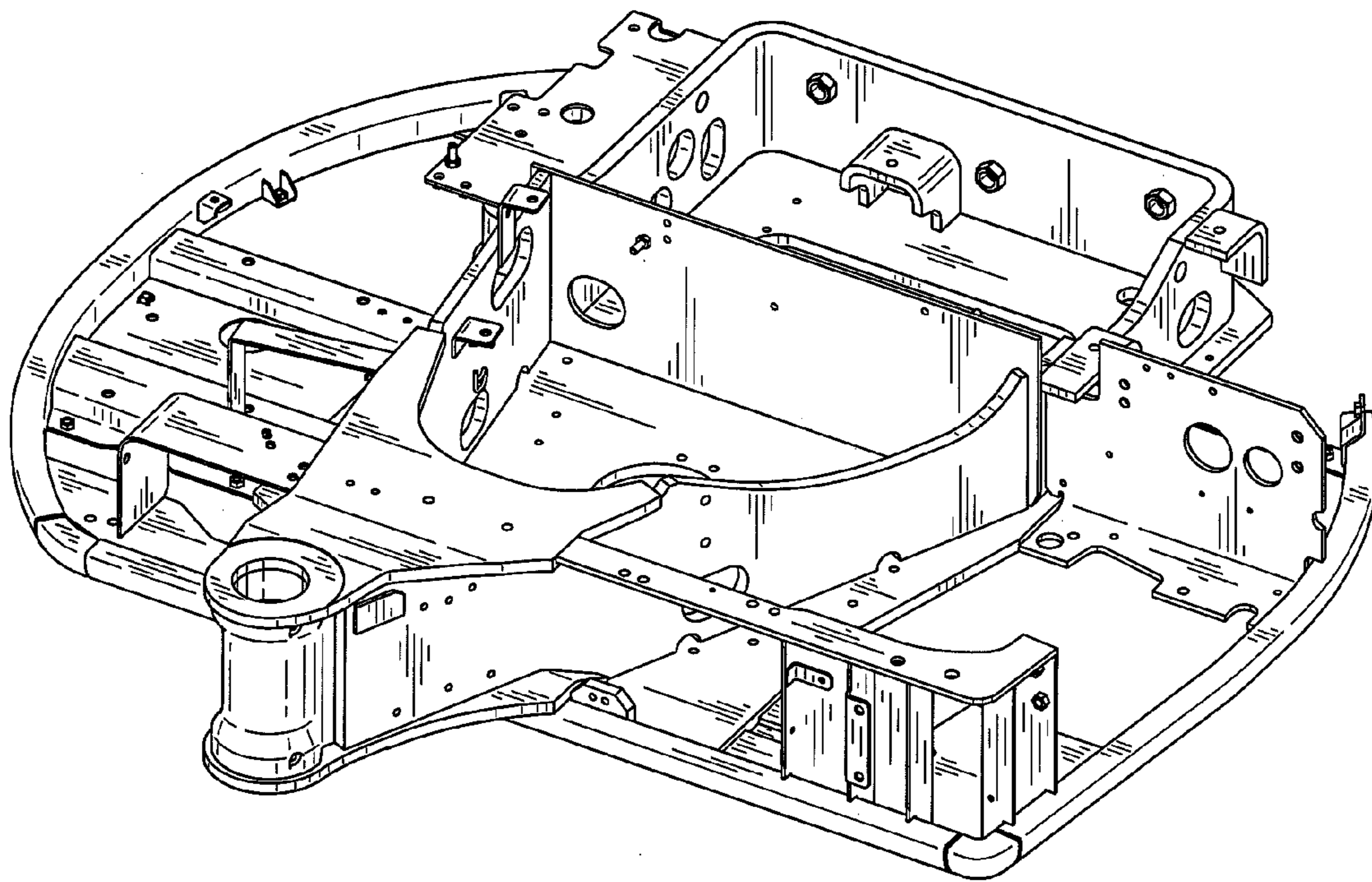


FIG. 1

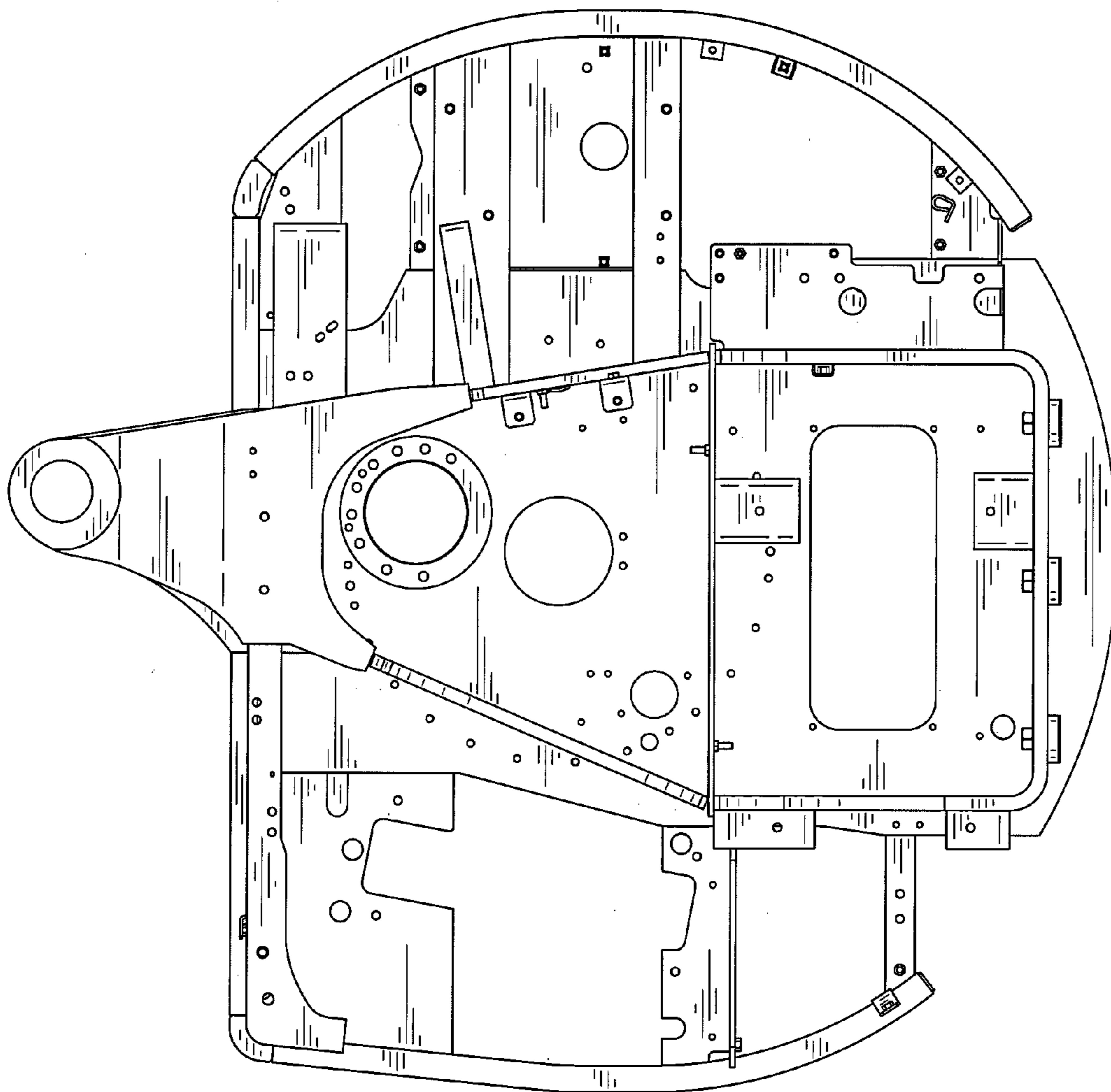


FIG. 2

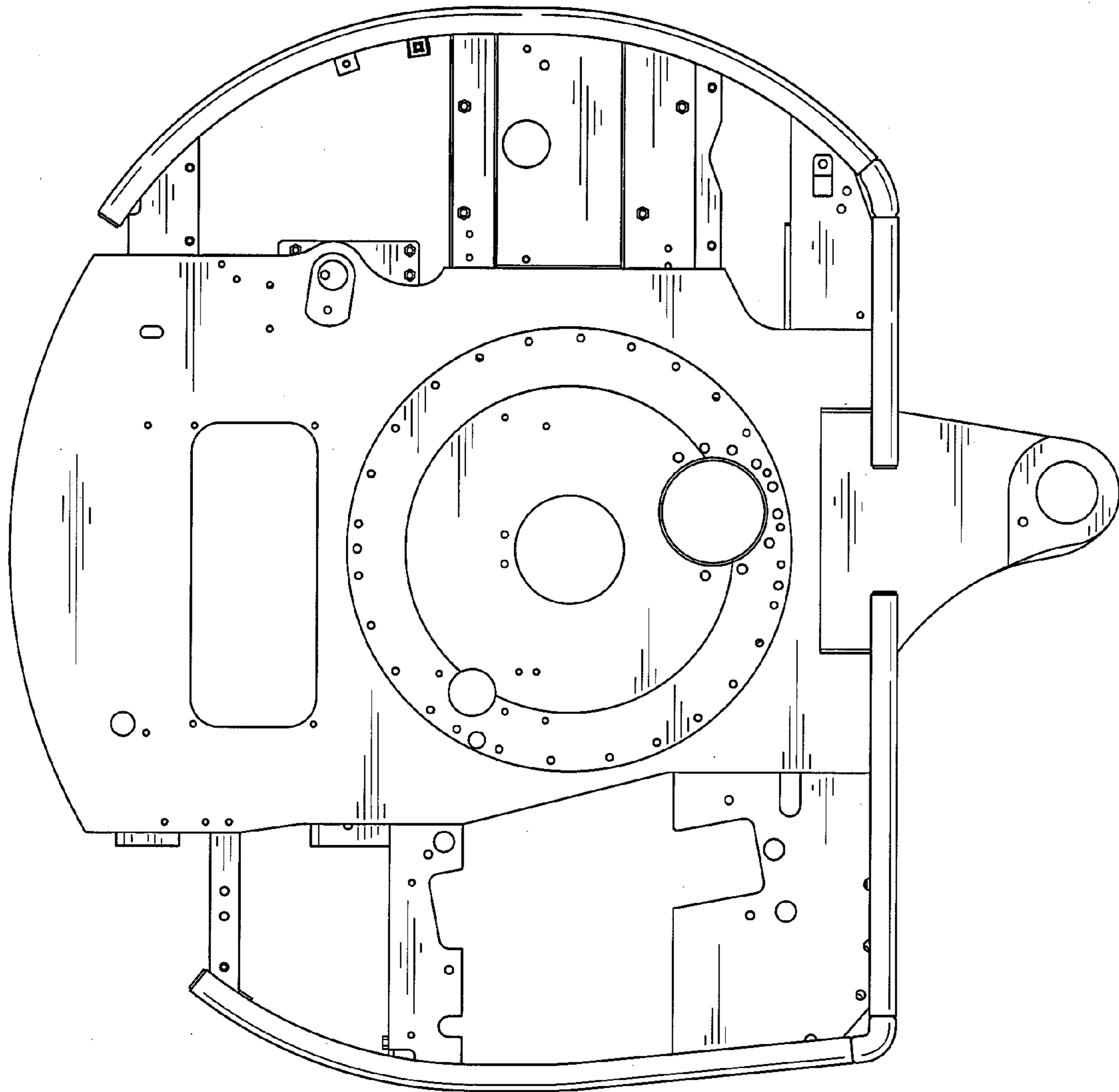


FIG. 3

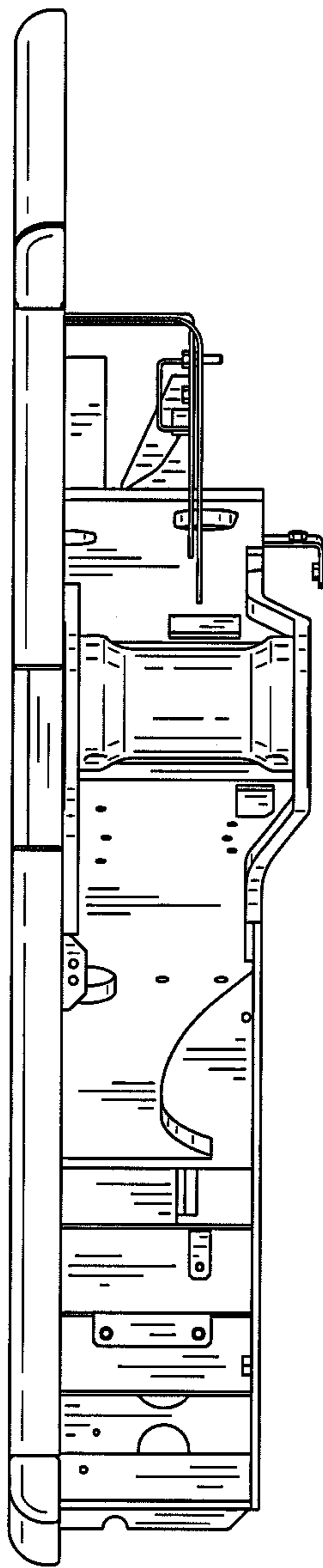


FIG. 4

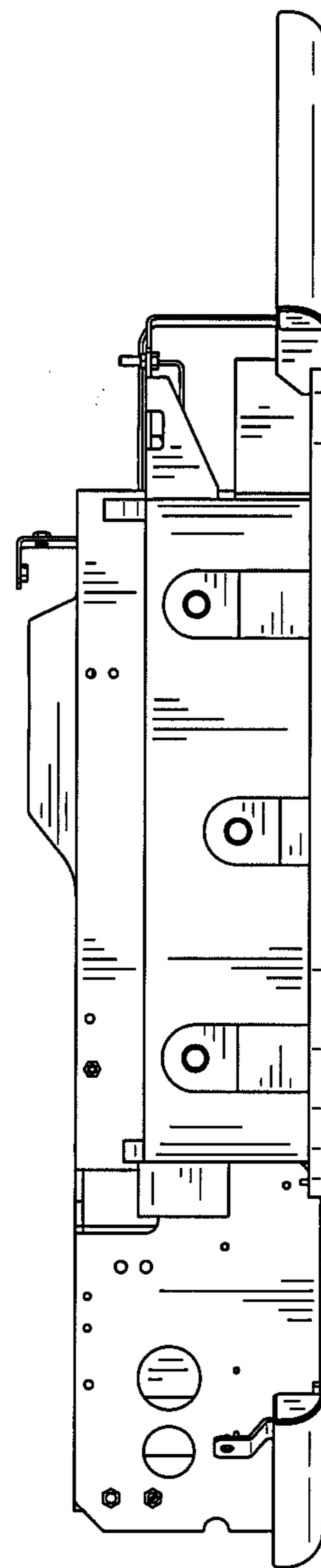


FIG. 5

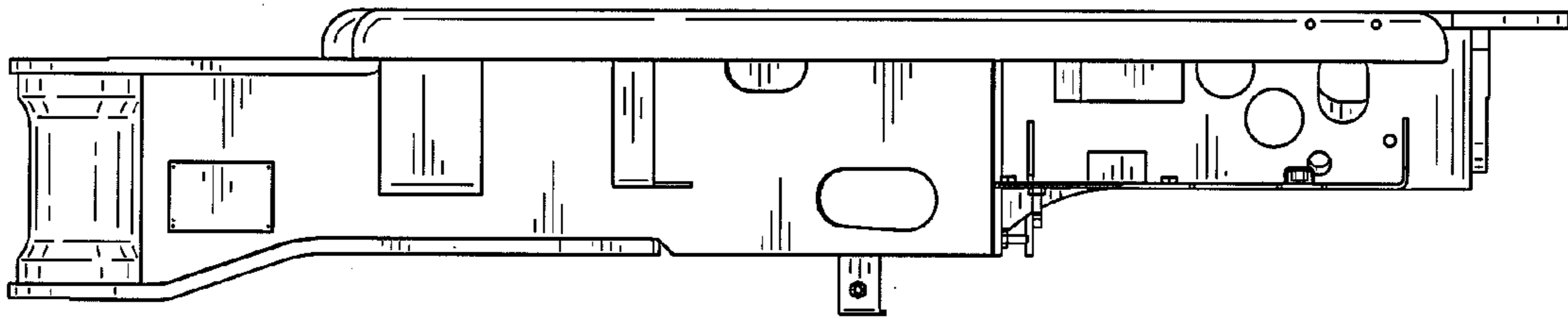


FIG. 6

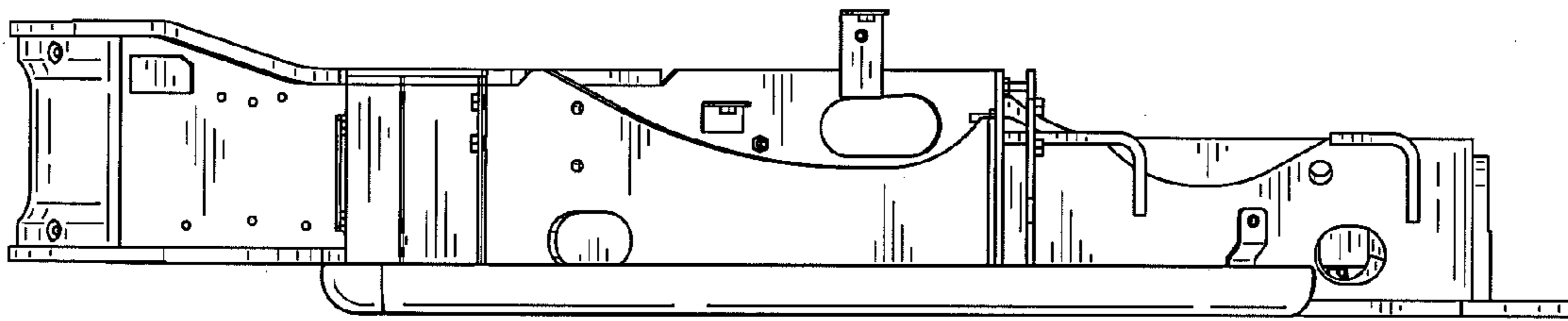


FIG. 7