



US00D686250S

(12) **United States Design Patent**
Horter

(10) **Patent No.:** **US D686,250 S**

(45) **Date of Patent:** **** Jul. 16, 2013**

(54) **ROCK BLOCKING ATTACHMENT**

(76) **Inventor:** **John C. Horter**, Andover, SD (US)

(**) **Term:** **14 Years**

(21) **Appl. No.:** **29/421,605**

(22) **Filed:** **Aug. 22, 2012**

(51) **LOC (9) Cl.** **12-09**

(52) **U.S. Cl.**
USPC **D15/28**

(58) **Field of Classification Search**
USPC D12/167, 169, 172, 177, 181, 400,
D12/401, 402, 406, 412, 413, 414, 420; D15/10,
D15/17, 27, 28, 32; D25/38.1, 39, 48.8, 119;
296/140; 224/309, 315, 321, 327, 328, 402,
224/488, 493

See application file for complete search history.

(56) **References Cited**

U.S. PATENT DOCUMENTS

2,717,076	A	9/1955	Leighton et al.	
3,257,786	A	6/1966	Norris	
4,237,986	A	12/1980	Frisbee	
D291,789	S *	9/1987	Noga	D12/98
D300,734	S *	4/1989	Kruitbosch	D12/414
D305,632	S *	1/1990	Kraklio	D12/400
D348,421	S *	7/1994	Dexter	D12/98
D361,772	S *	8/1995	Hulsey	D15/32
D380,706	S *	7/1997	Gardner	D12/98
D380,707	S *	7/1997	Gallegus	D12/98
D384,326	S *	9/1997	Fetz et al.	D12/414
D392,938	S *	3/1998	Sylvester	D12/426

D397,322	S *	8/1998	Tobin	D12/414
6,101,794	A	8/2000	Christopherson et al.	
D475,678	S *	6/2003	Evans	D12/400
D504,384	S *	4/2005	Straschewski	D12/414
D644,591	S *	9/2011	Andonian	D12/406

OTHER PUBLICATIONS

Tine Rock Bucket. Skidsteer Loader Buckets. Wicko.com Inc. Jan. 7, 2004 [online], [retrieved on Feb. 26, 2013]. Retrieved from the Internet <URL: <http://www.wikco.com/skdbk.html>>.*

* cited by examiner

Primary Examiner — Philip S Hyder
Assistant Examiner — Darlington Ly
(74) *Attorney, Agent, or Firm* — Paul R. Martin

(57) **CLAIM**

The ornamental design for a rock blocking attachment, as shown and described.

DESCRIPTION

FIG. 1 is a perspective view of the rock blocking attachment of my new design showing it being mounted on the front of a mowing unit.

FIG. 2 is a top plan view of my new design.

FIG. 3 is a front elevational view thereof.

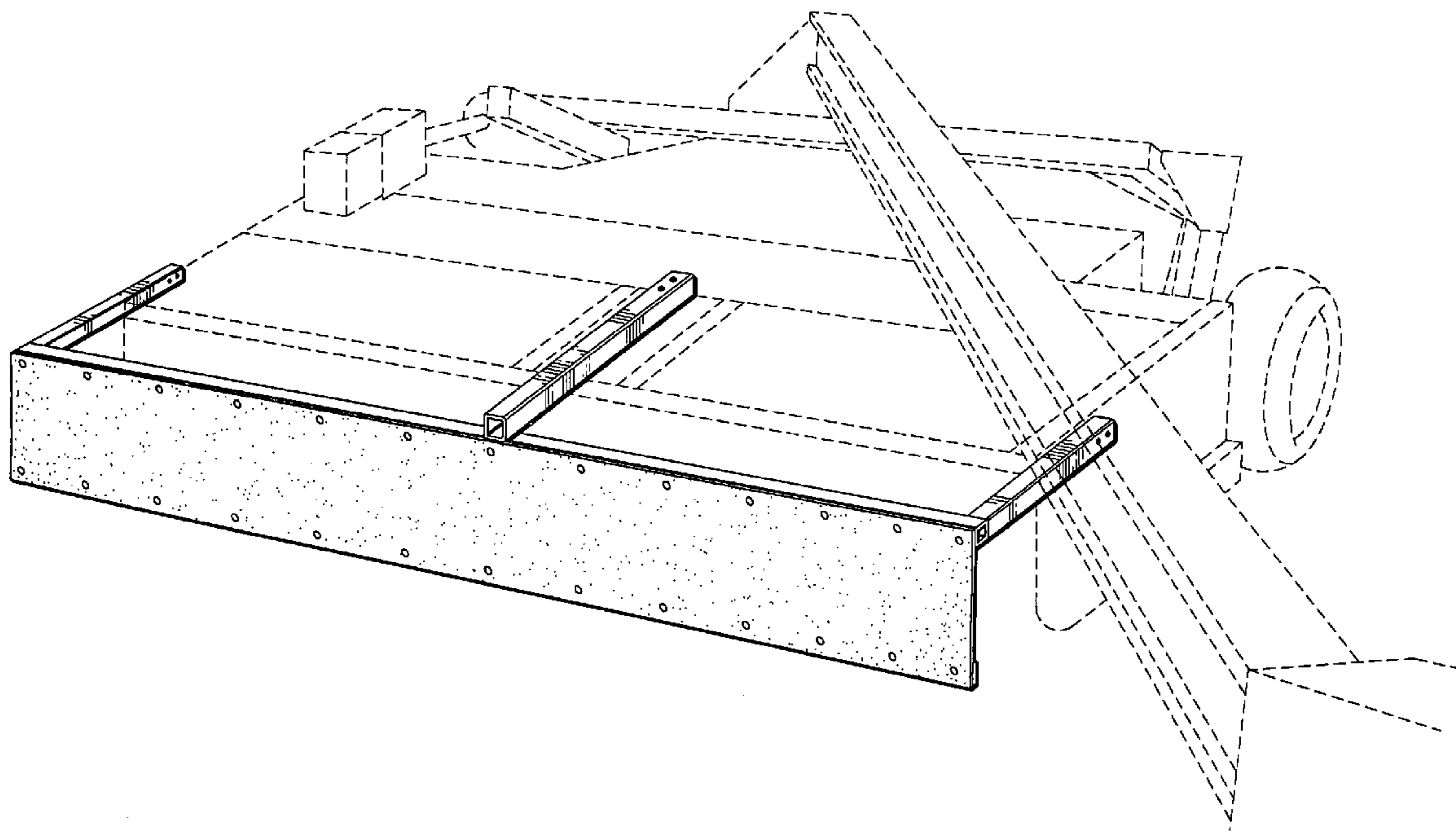
FIG. 4 is a right side elevational view thereof. The left side view is a mirror image thereof.

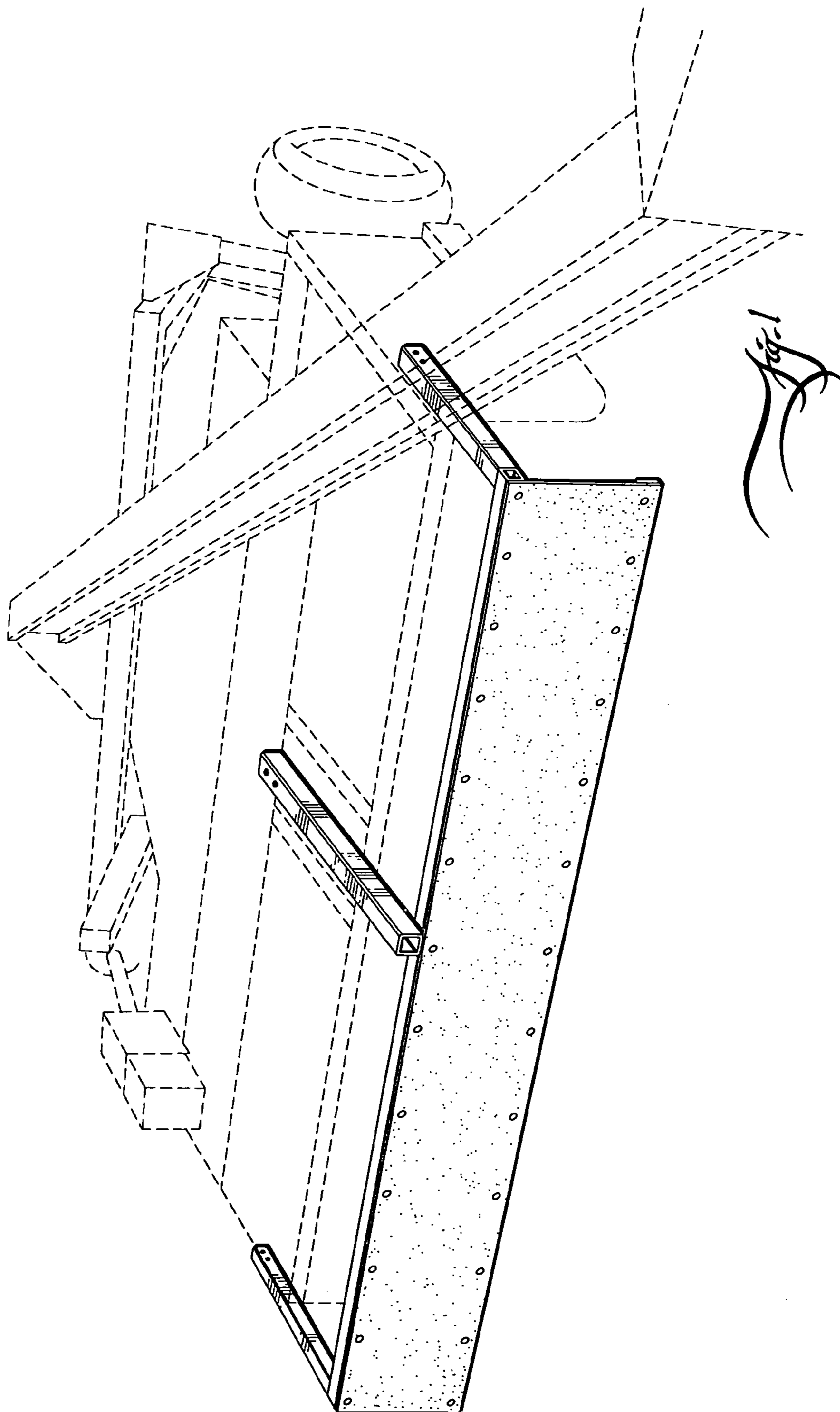
FIG. 5 is a back elevational view thereof; and,

FIG. 6 is a bottom plan view thereof.

The broken line apparatus shown in FIG. 1, is environmental, and forms no part of the invention.

1 Claim, 4 Drawing Sheets





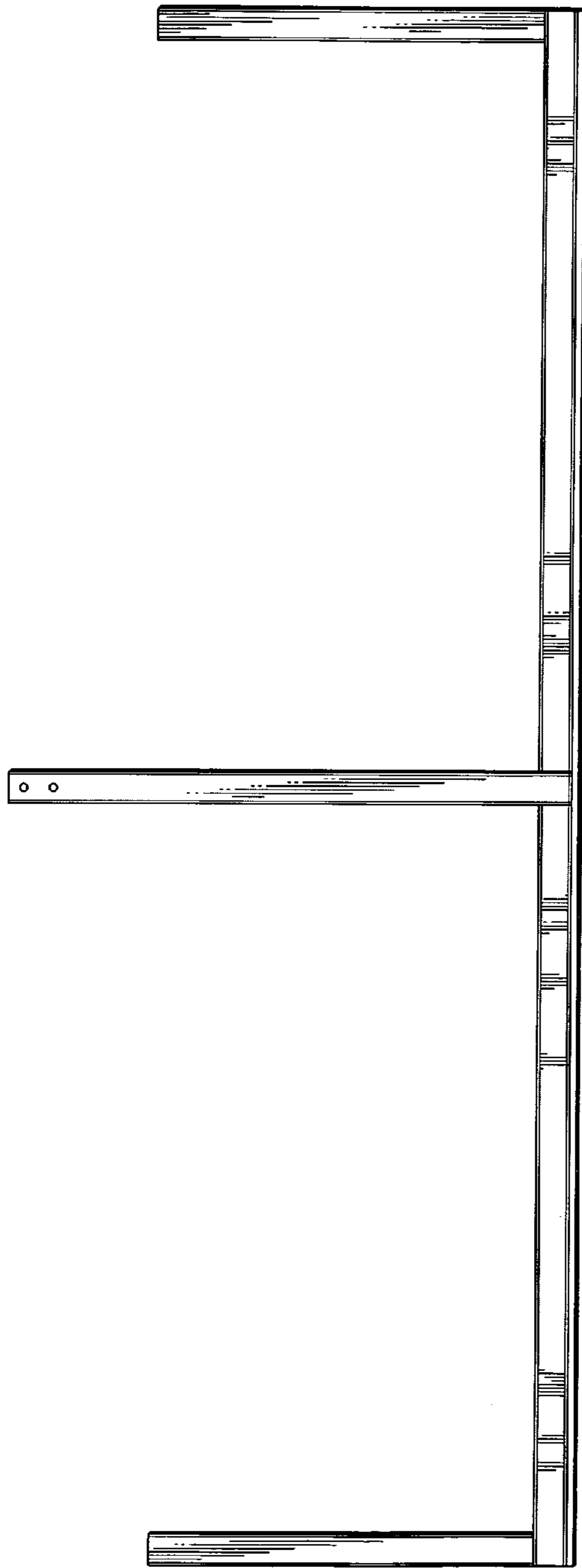


Fig. 2

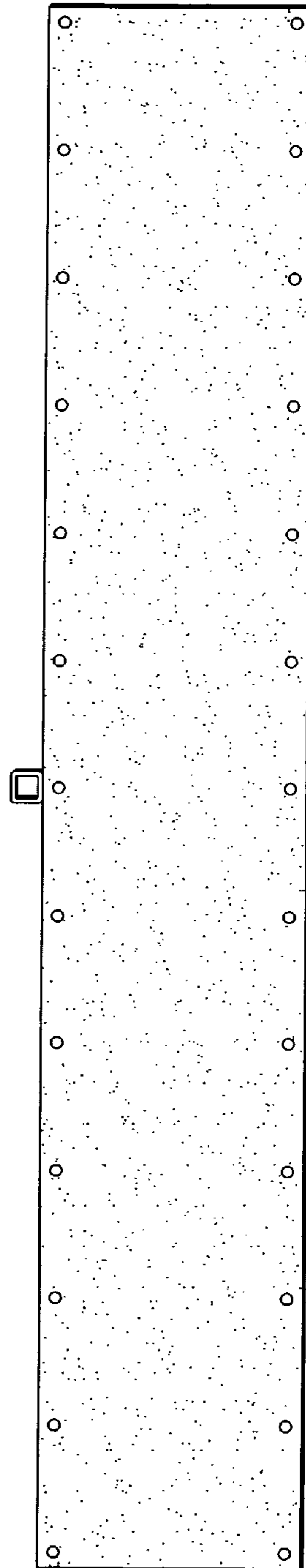


Fig. 3

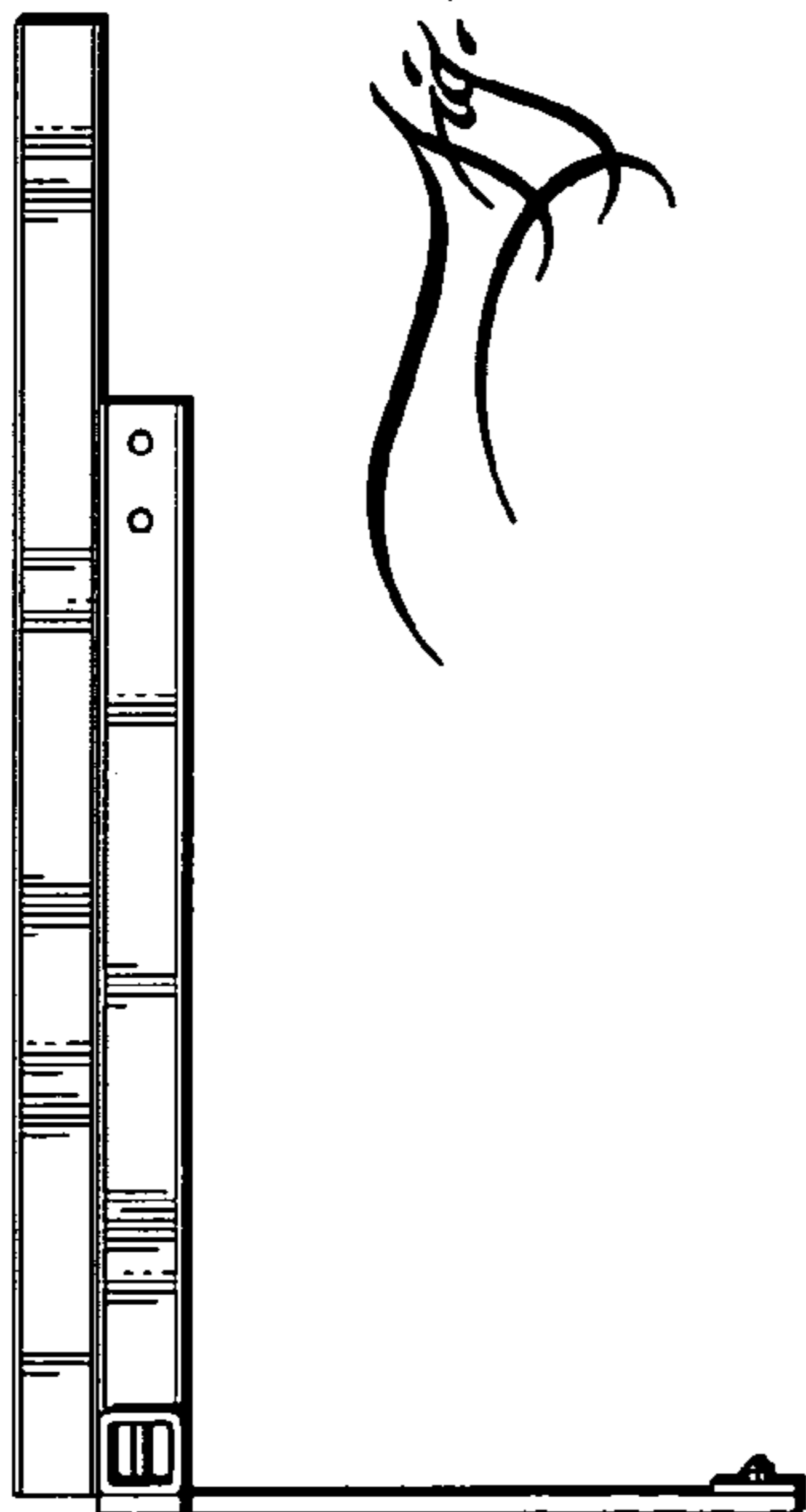


Fig. 4

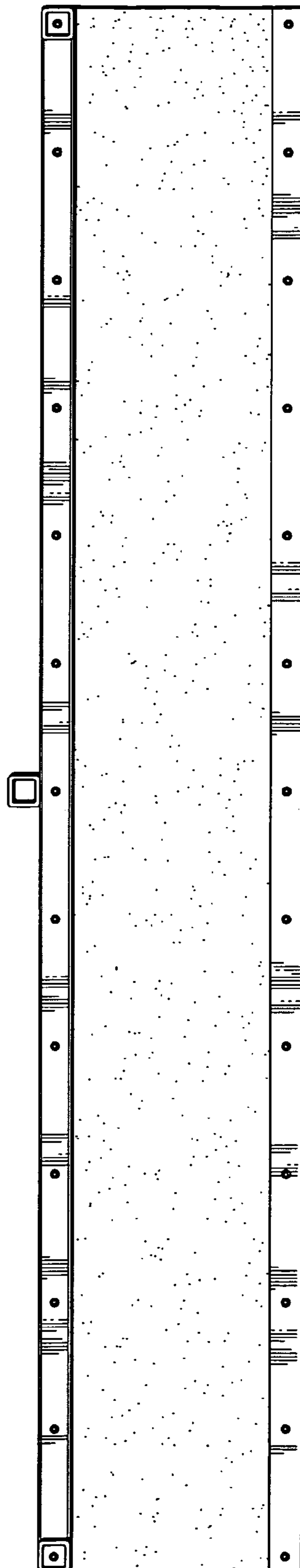


Fig. 5

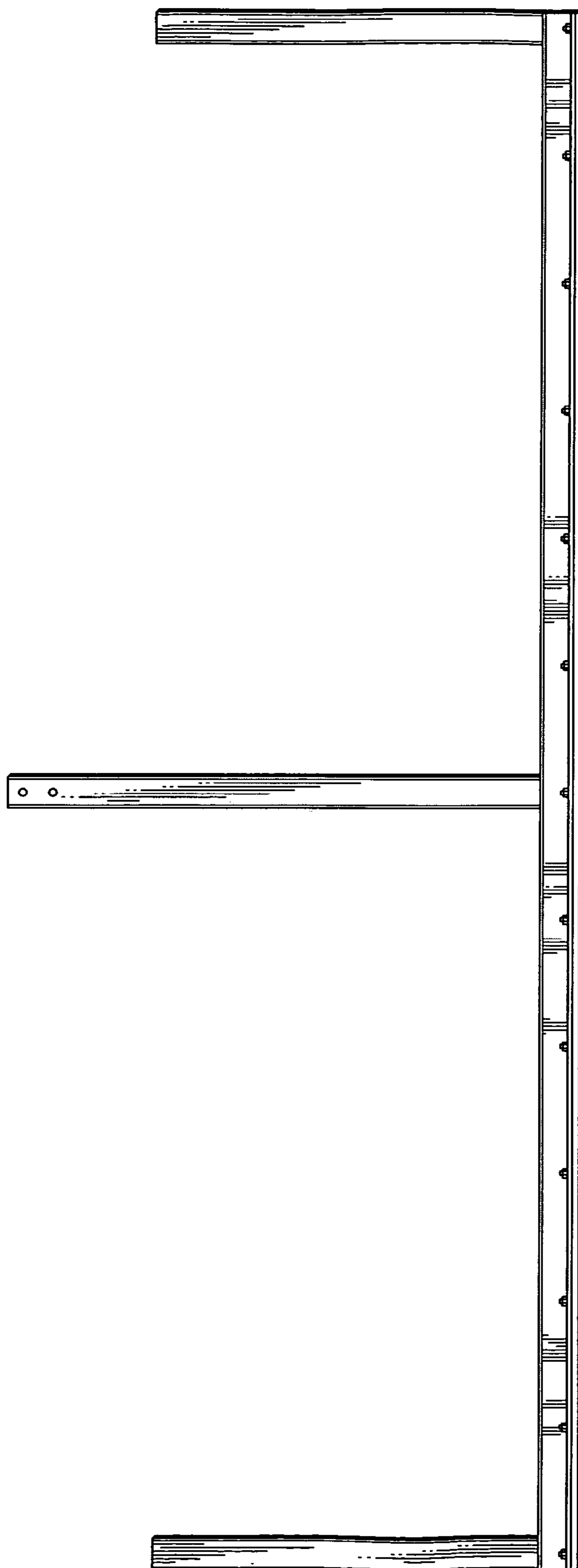


Fig. 6