



US00D686240S

(12) **United States Design Patent**
Lin

(10) **Patent No.:** **US D686,240 S**
(45) **Date of Patent:** **** Jul. 16, 2013**

(54) **DISPLAY SCREEN WITH GRAPHICAL USER INTERFACE FOR A SPORTS DEVICE**

(71) Applicant: **Advanced Mediwatch Co., Ltd.**, Taipei (TW)

(72) Inventor: **Sung-Lien Lin**, New Taipei (TW)

(73) Assignee: **Advanced Mediwatch Co., Ltd.**, Taipei (TW)

(**) Term: **14 Years**

(21) Appl. No.: **29/435,598**

(22) Filed: **Oct. 25, 2012**

(51) **LOC (9) Cl.** **14-04**

(52) **U.S. Cl.**
USPC **D14/488**

(58) **Field of Classification Search**
USPC D14/485-495; D20/11; D5/63; 345/400, 345/441, 442; 348/14.03, 14.04; 715/211, 715/215, 706, 719, 733, 763, 770, 773, 777, 715/779, 782, 783, 786, 792, 793, 809, 810, 715/835, 846, 849, 867, 977, 976
See application file for complete search history.

(56) **References Cited**

U.S. PATENT DOCUMENTS

D405,776 S *	2/1999	Fults	D14/486
D550,696 S *	9/2007	Kortum et al.	D14/491
D554,661 S *	11/2007	Hoover et al.	D14/487
D563,968 S *	3/2008	Lewin et al.	D14/485
D574,395 S *	8/2008	Loretan et al.	D14/487

D599,375 S *	9/2009	Wipplinger	D14/489
D604,742 S *	11/2009	Nagata et al.	D14/486
D605,199 S *	12/2009	Nagata et al.	D14/486
D606,091 S *	12/2009	O'Donnell et al.	D14/489
D624,557 S *	9/2010	Allen et al.	D14/488
D626,143 S *	10/2010	Karten et al.	D14/491
8,089,482 B1 *	1/2012	Axelrod	345/440
D665,420 S *	8/2012	Morrow et al.	D14/492
D672,784 S *	12/2012	Clanton et al.	D14/485
2002/0171685 A1 *	11/2002	Christianson et al.	345/835
2005/0278656 A1 *	12/2005	Goldthwaite et al.	715/810
2006/0085763 A1 *	4/2006	Leavitt et al.	715/810
2010/0153306 A1 *	6/2010	Hjartberg et al.	705/36 R
2011/0131531 A1 *	6/2011	Russell et al.	715/835
2013/0019208 A1 *	1/2013	Kotler et al.	715/835

* cited by examiner

Primary Examiner — Karen S Acker

(74) *Attorney, Agent, or Firm* — Stites & Harbison, PLLC; Juan Carlos A. Marquez, Esq.

(57) **CLAIM**

The ornamental design for a display screen with graphical user interface for a sports device, as shown and described.

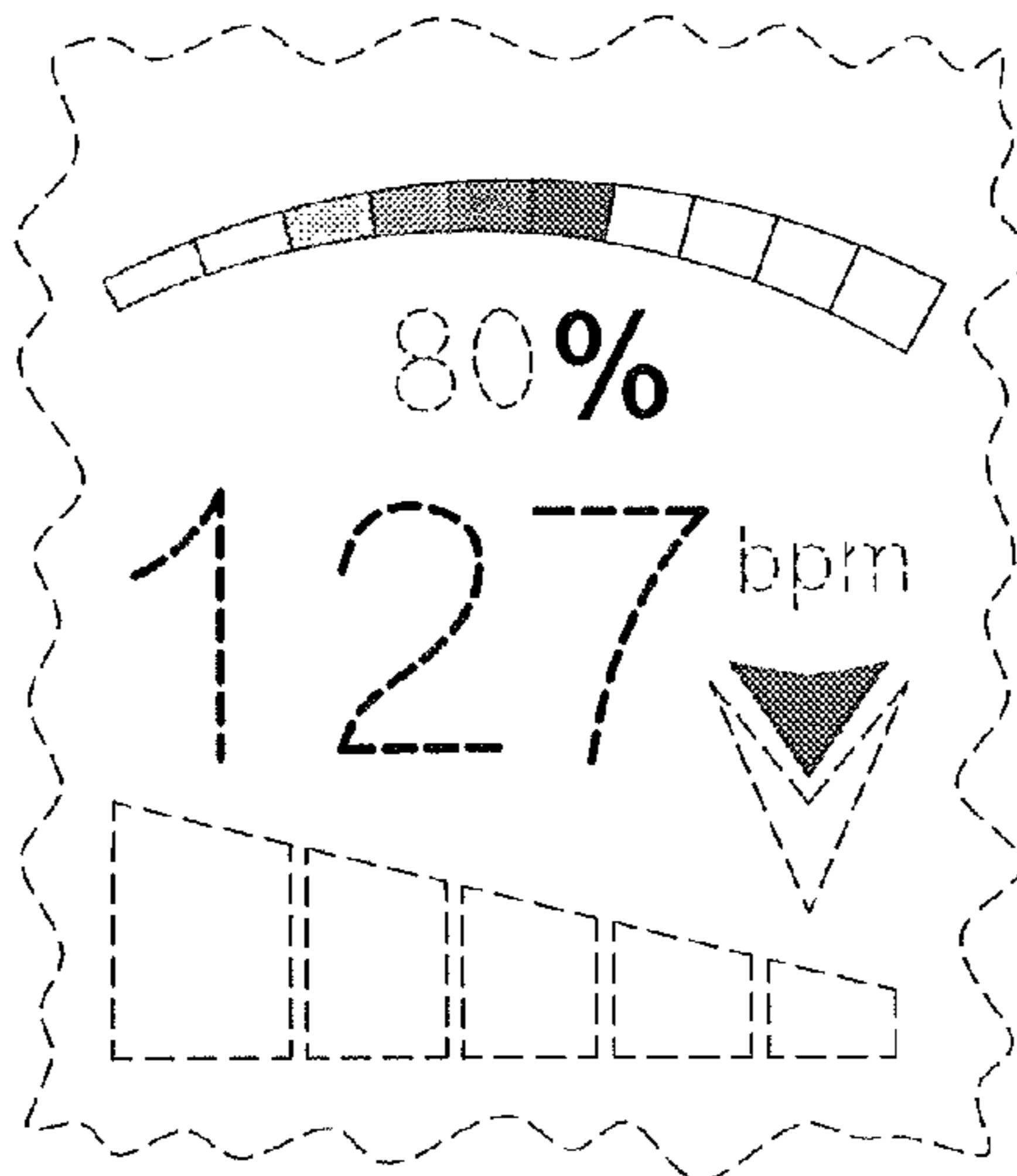
DESCRIPTION

FIG. 1 is a front view of the display screen with graphical user interface for a sports device according to the present design; and,

FIG. 2 is a front view of the design of FIG. 1 shown in an environment of use.

The broken lines in the drawings represent environmental subject matter and form no part of the claimed design.

1 Claim, 1 Drawing Sheet



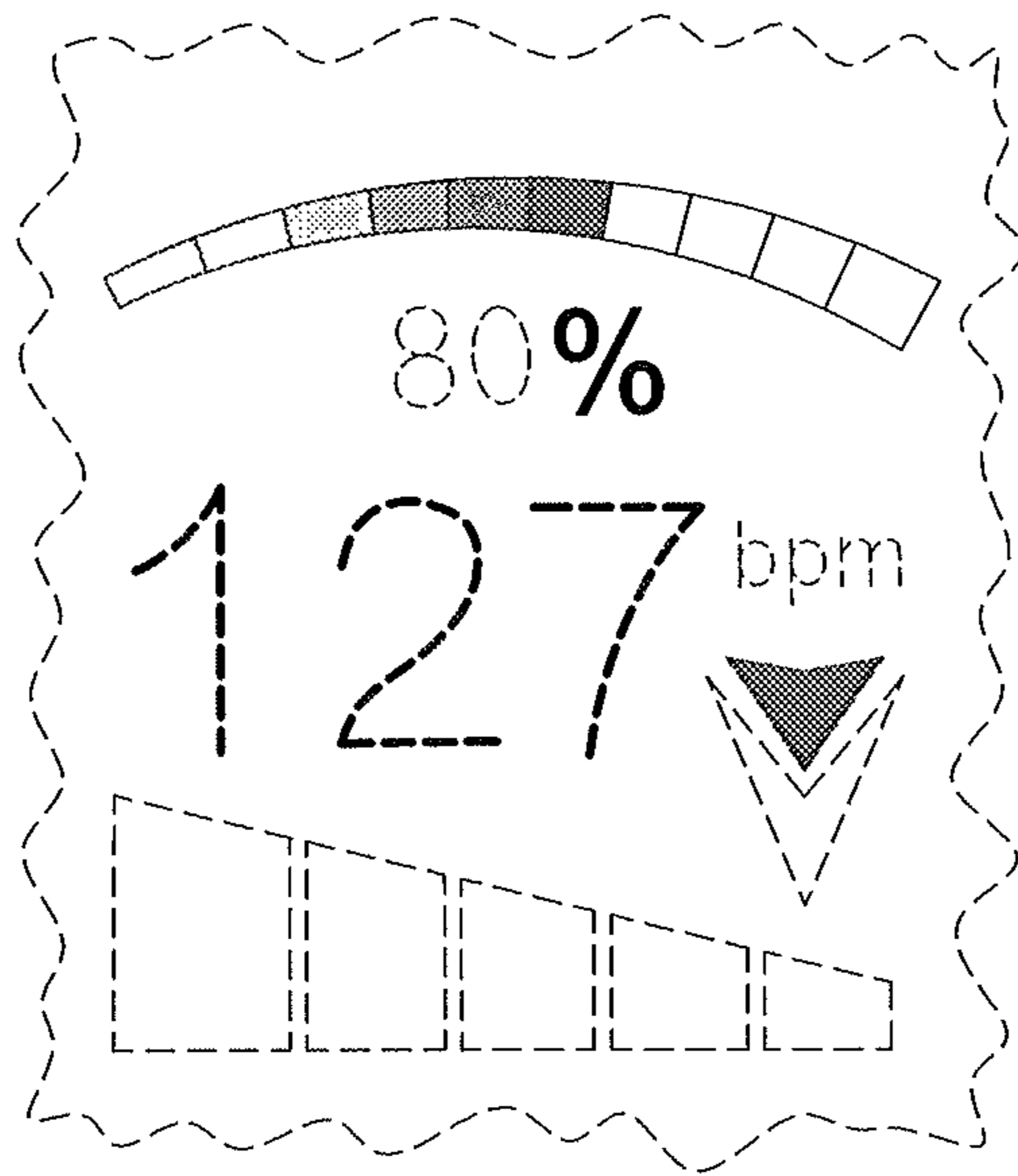


FIG. 1

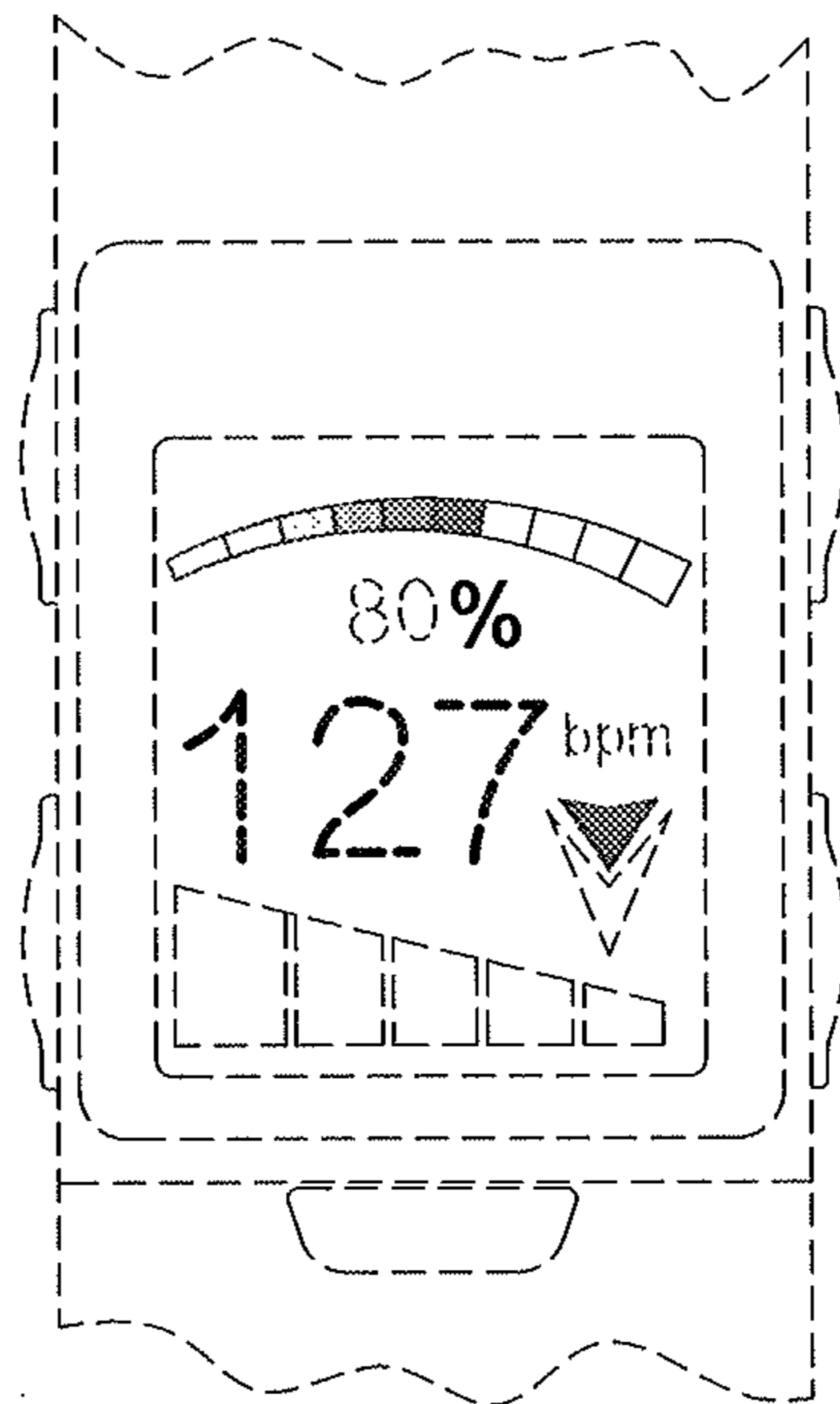


FIG. 2