



US00D686235S

(12) **United States Design Patent**
Pizzutelli et al.

(10) **Patent No.:** **US D686,235 S**
(45) **Date of Patent:** **** Jul. 16, 2013**

(54) **DISPLAY SCREEN WITH ANIMATED GRAPHICAL USER INTERFACE**

(75) Inventors: **Antonio Pizzutelli**, Seattle, WA (US);
Daniel J. Zurawski, Mercer Island, WA (US);
Jennifer Rodenhouse, Seattle, WA (US)

(73) Assignee: **Microsoft Corporation**, Redmond, WA (US)

(**) Term: **14 Years**

(21) Appl. No.: **29/407,606**

(22) Filed: **Nov. 30, 2011**

(51) **LOC (9) Cl.** **14-02**

(52) **U.S. Cl.**
USPC **D14/486**

(58) **Field of Classification Search**
USPC D14/485–495; 715/700–867
See application file for complete search history.

(56) **References Cited**

U.S. PATENT DOCUMENTS

6,185,476	B1 *	2/2001	Sakai	700/182
6,268,854	B1 *	7/2001	Borden et al.	715/786
D545,828	S	7/2007	Vong et al.	
D546,335	S	7/2007	Vong et al.	
D546,336	S	7/2007	Vong et al.	
D599,363	S	9/2009	Mays	
D599,364	S	9/2009	Mays	
D599,365	S	9/2009	Brown et al.	
D599,366	S	9/2009	Brown et al.	
D599,367	S	9/2009	Mays et al.	
D599,368	S	9/2009	Kanga et al.	
D616,459	S *	5/2010	Pearson et al.	D14/488
D619,618	S *	7/2010	Ridgeway	D14/494
D620,025	S *	7/2010	Ridgeway	D14/494
D620,026	S *	7/2010	Ridgeway	D14/494
D620,027	S *	7/2010	Ridgeway	D14/494
7,761,812	B2 *	7/2010	Ostojic et al.	715/835
D622,730	S	8/2010	Krum et al.	

D627,361	S	11/2010	Lew et al.	
D627,363	S	11/2010	Lew	
D629,417	S	12/2010	Weir et al.	
D635,999	S *	4/2011	Mays et al.	D14/495

(Continued)

Primary Examiner — Deanna L Fluegeman
(74) *Attorney, Agent, or Firm* — Banner & Witcoff, Ltd.

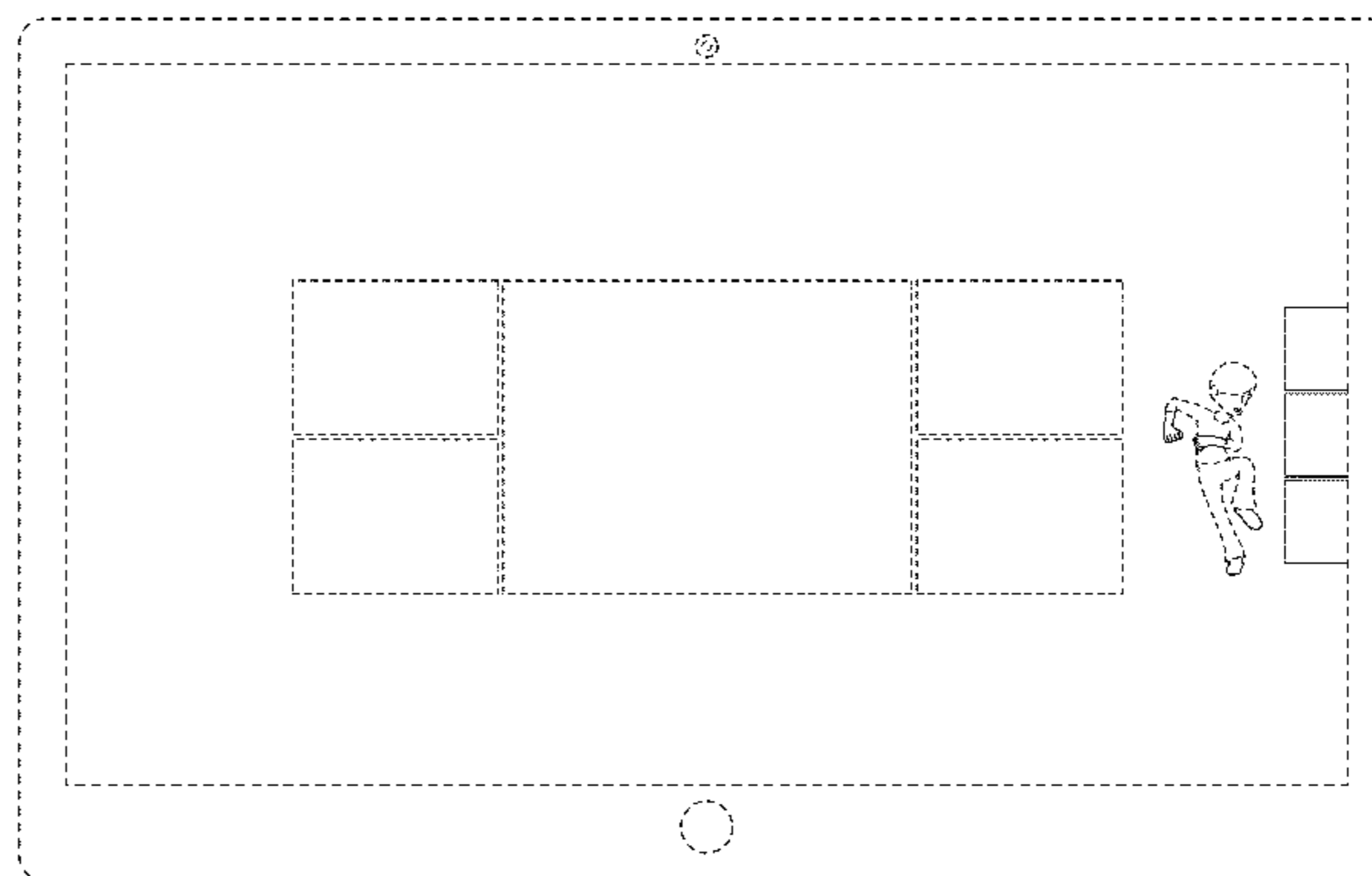
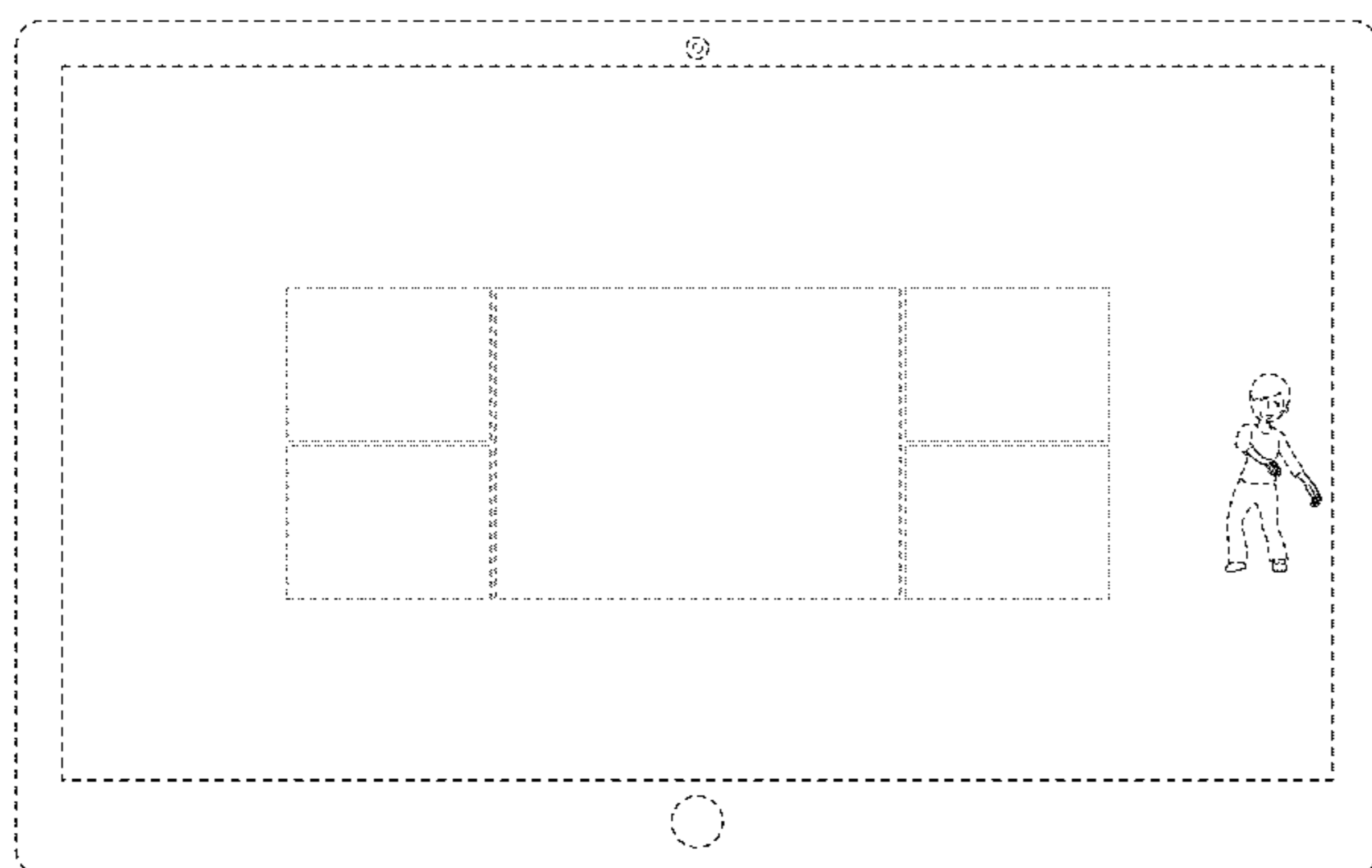
(57) **CLAIM**
The ornamental design for a display screen with animated graphical user interface, as shown and described.

DESCRIPTION

FIG. 1 is a front view of a display screen with animated graphical user interface showing the new design; and FIG. 2 is the second image thereof; FIG. 3 is the third image thereof; FIG. 4 is the fourth image thereof; FIG. 5 is the fifth image thereof; FIG. 6 is the sixth image thereof; FIG. 7 is the seventh image thereof; FIG. 8 is the eighth image thereof; FIG. 9 is the ninth image thereof; FIG. 10 is the tenth image thereof; FIG. 11 is the eleventh image thereof; FIG. 12 is the twelfth image thereof; FIG. 13 is the thirteenth image thereof; FIG. 14 is the fourteenth image thereof; FIG. 15 is the fifteenth image thereof; FIG. 16 is the sixteenth image thereof; FIG. 17 is the seventeenth image thereof; and, FIG. 18 is the eighteenth image thereof.

The appearance of the transitional image sequentially transitions between the images shown in FIGS. 1-18. The process or period in which one image transitions to another image forms no part of the claimed design. The broken line showing of the humanoid shapes, rectangles, and the remainder of the display screen is for environmental purposes only and forms no part of the claimed design.

1 Claim, 18 Drawing Sheets



US D686,235 S

Page 2

U.S. PATENT DOCUMENTS			
D641,372 S	7/2011	Gardner et al.	
D641,373 S	7/2011	Gardner et al.	
D643,438 S	8/2011	Gardner et al.	
D644,660 S *	9/2011	Marashi et al.	D14/495
			* cited by examiner
		D645,469 S	9/2011 Gardner et al.
		D667,416 S *	9/2012 Maitlen et al. D14/486
		D672,362 S *	12/2012 Zurawski et al. D14/485
		2010/0306671 A1 *	12/2010 Mattingly et al. 715/753

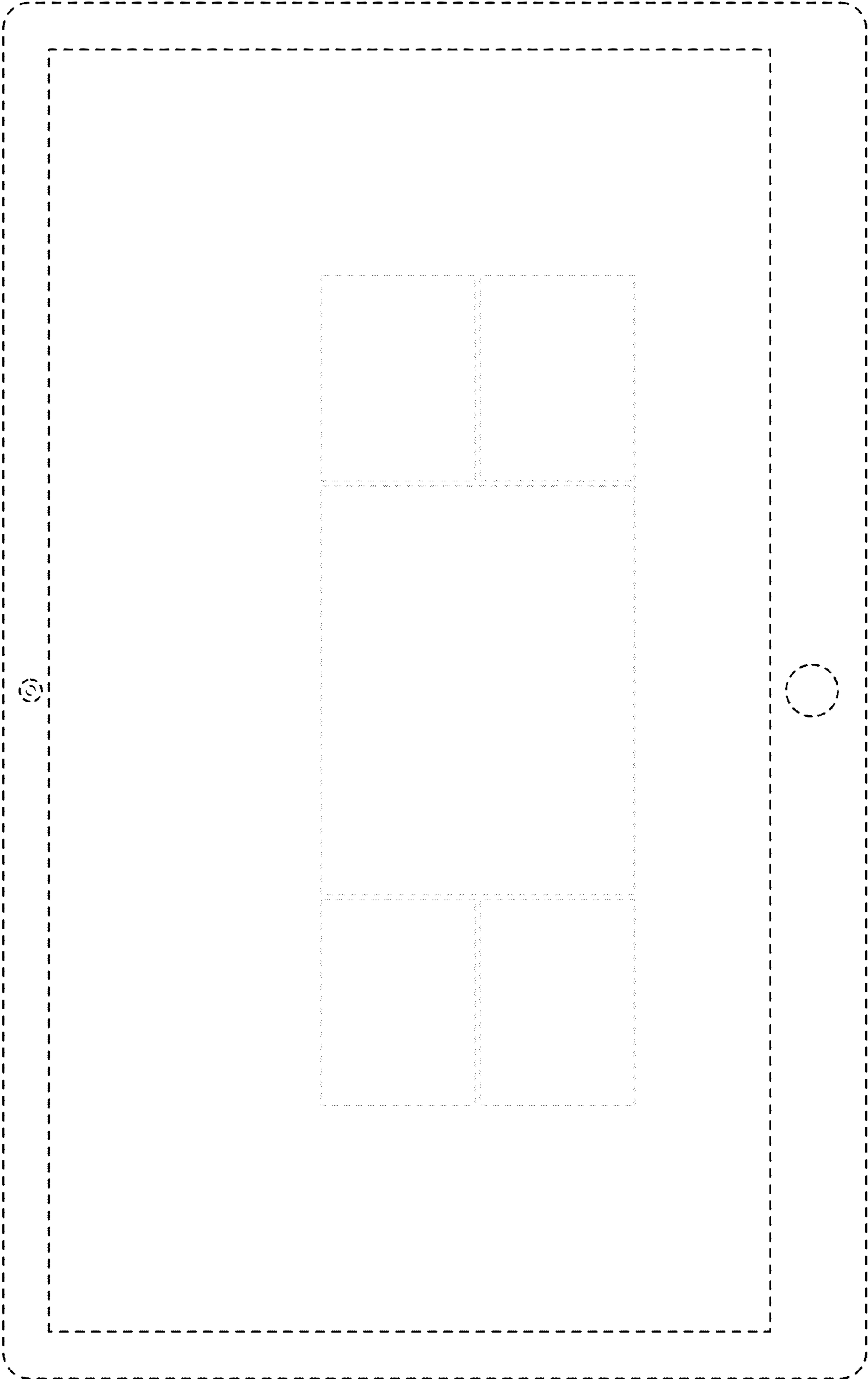


FIG. 1

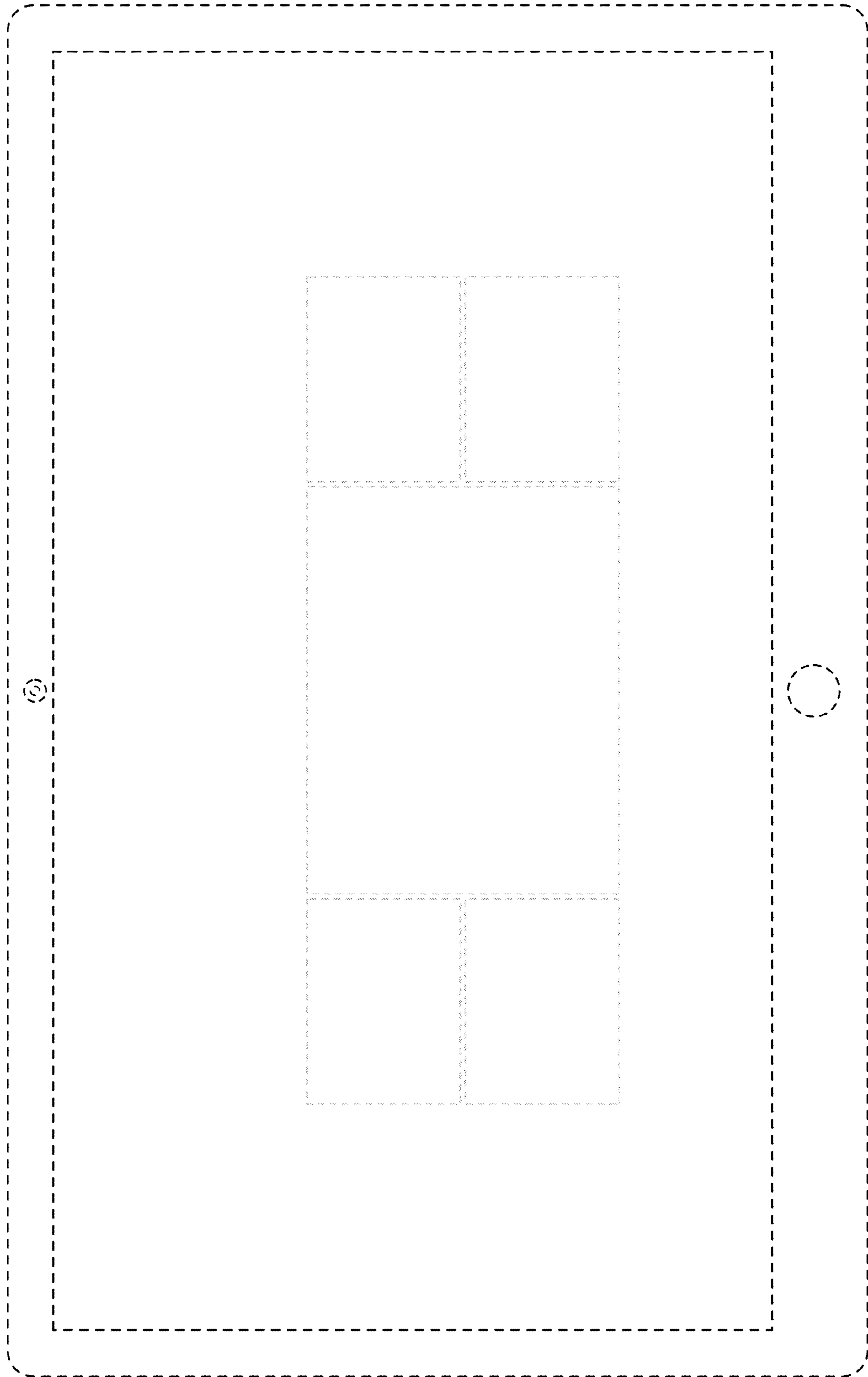


FIG. 2

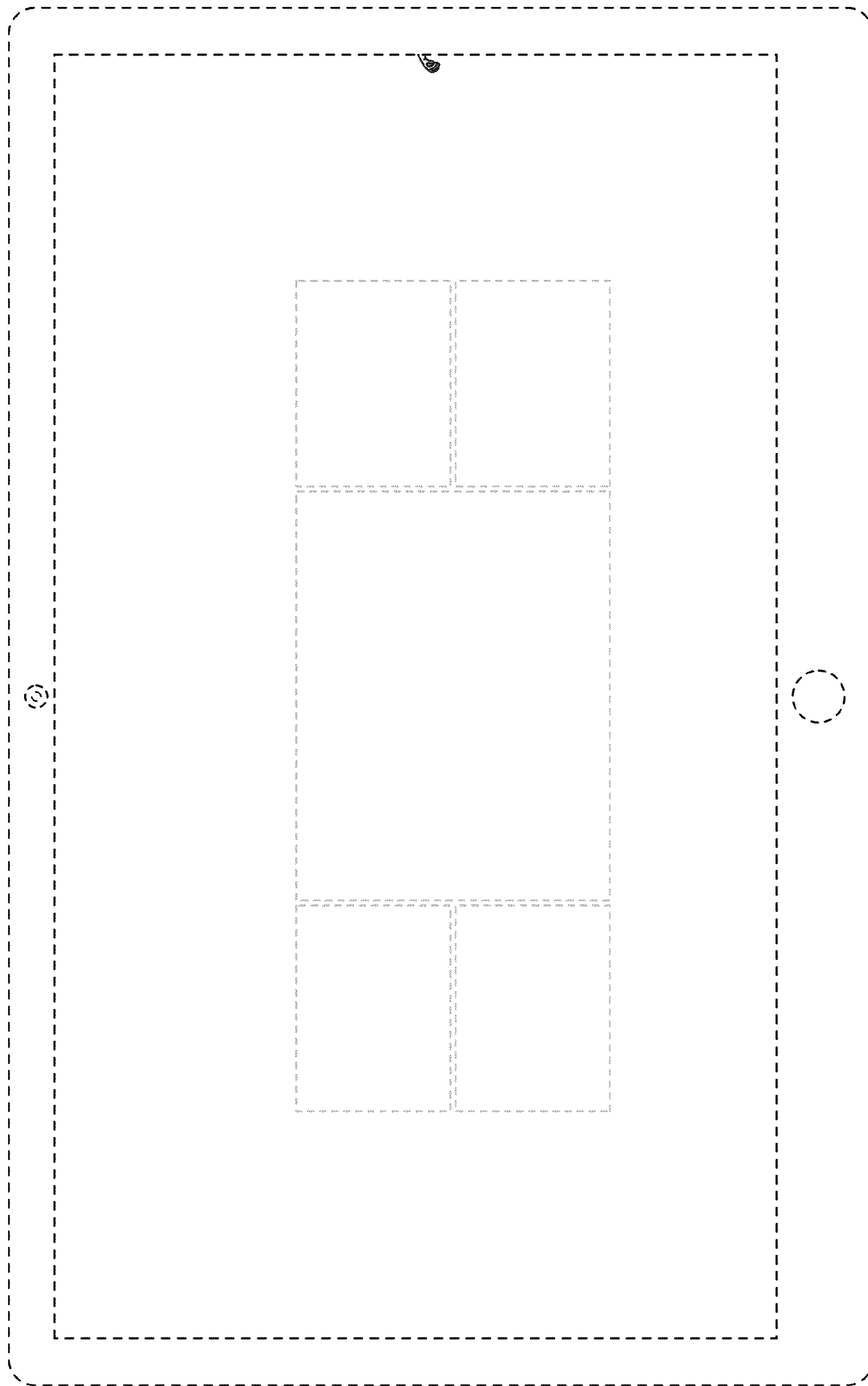


FIG. 3

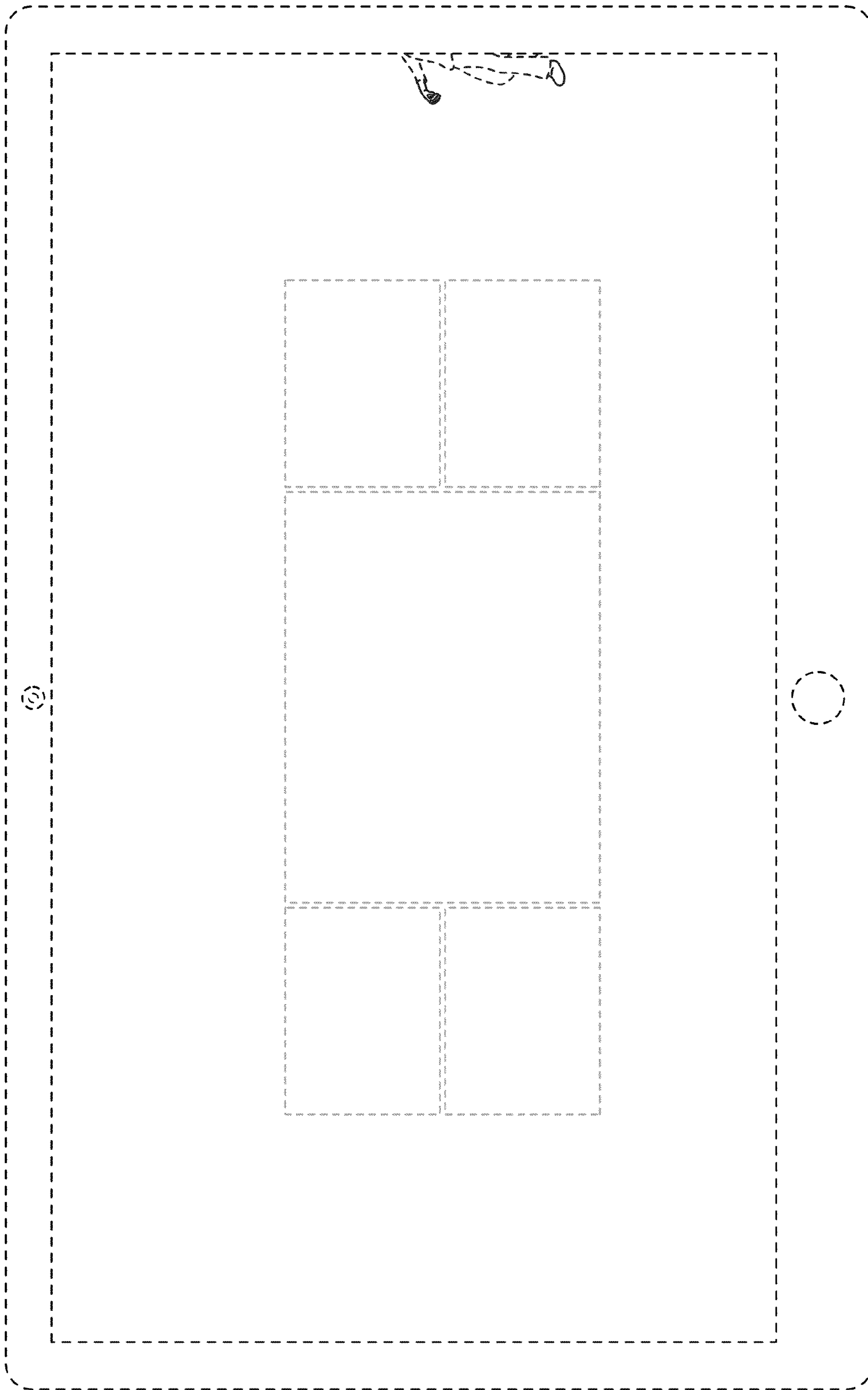


FIG. 4

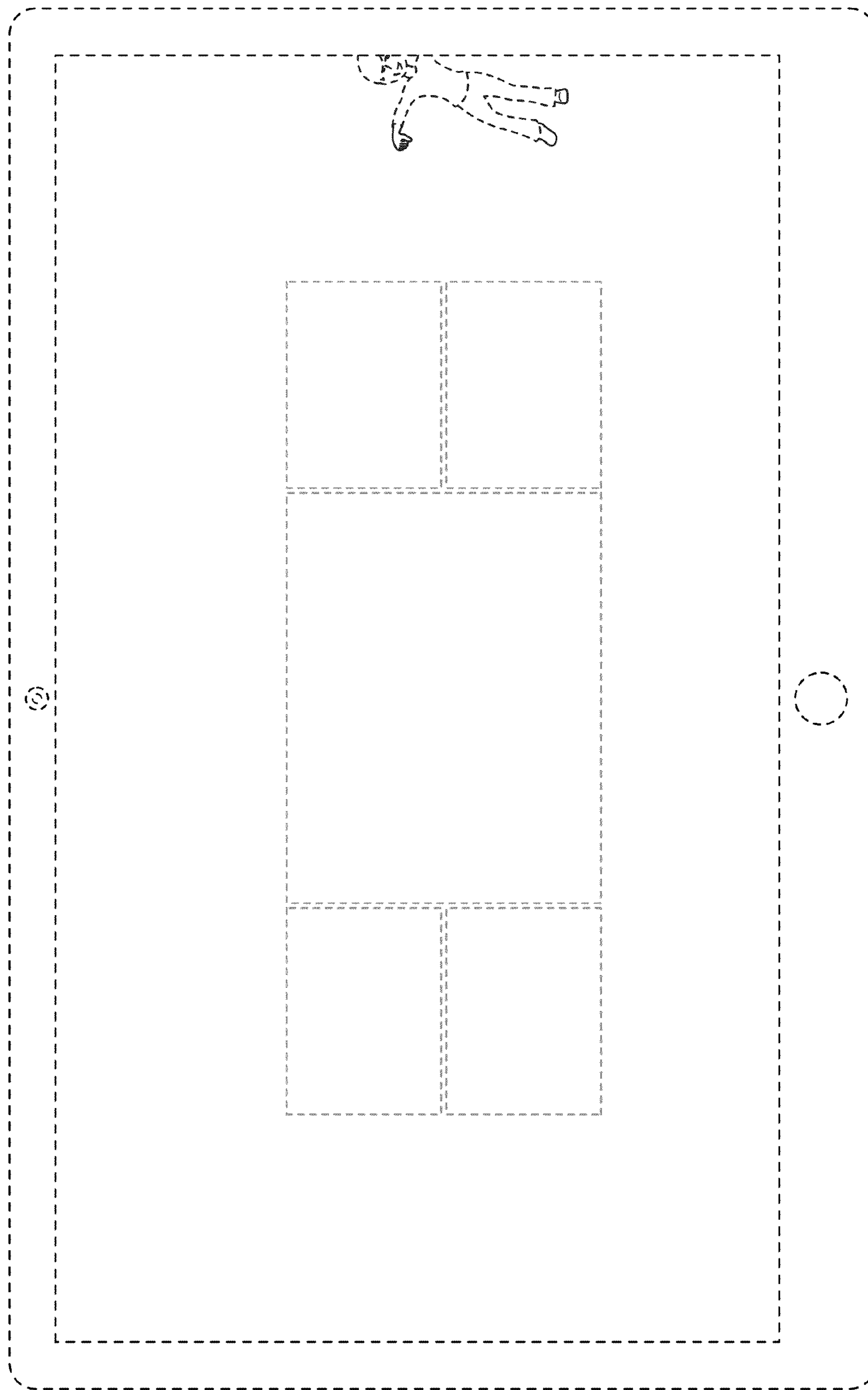


FIG. 5

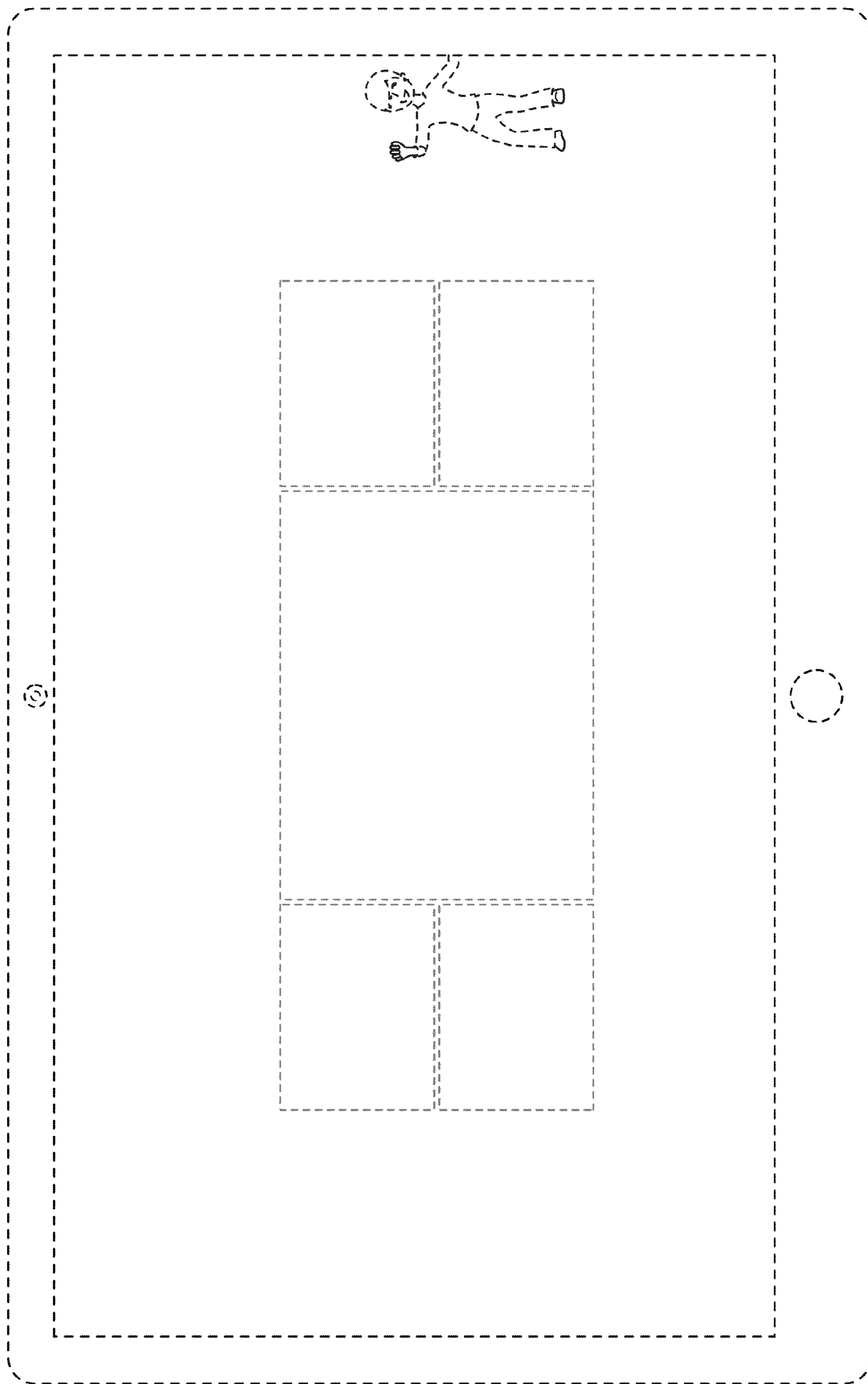


FIG. 6

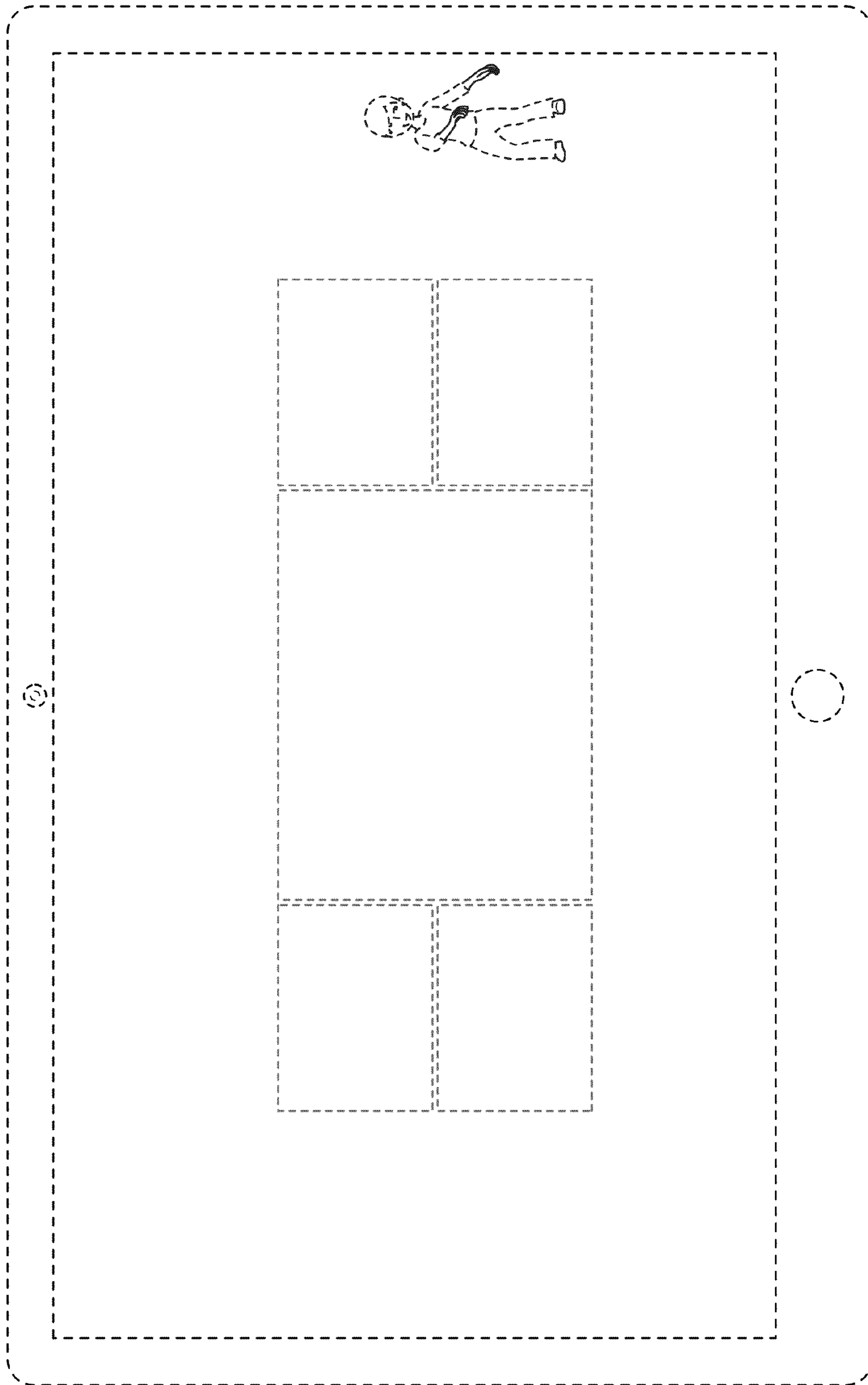


FIG. 7

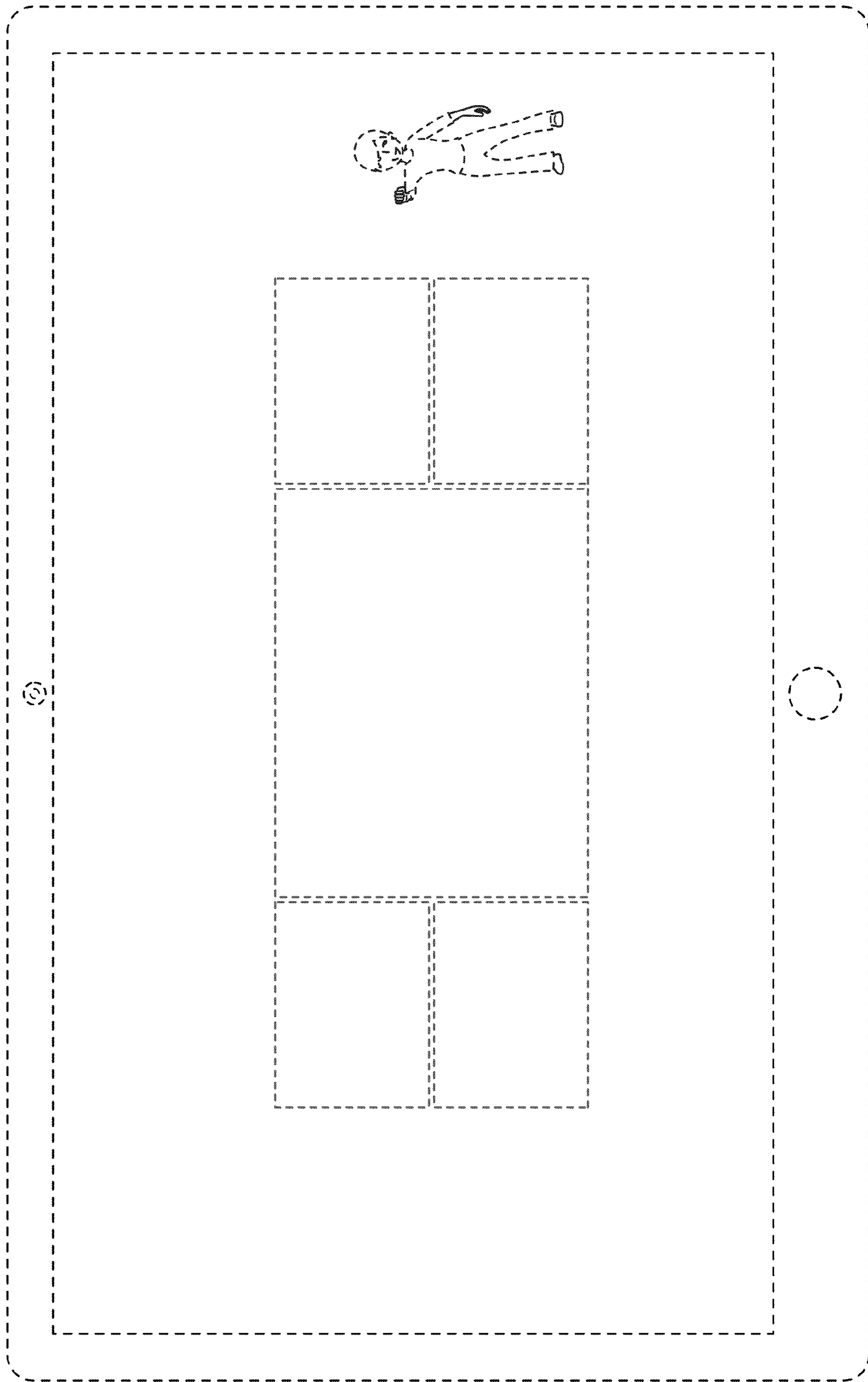


FIG. 8

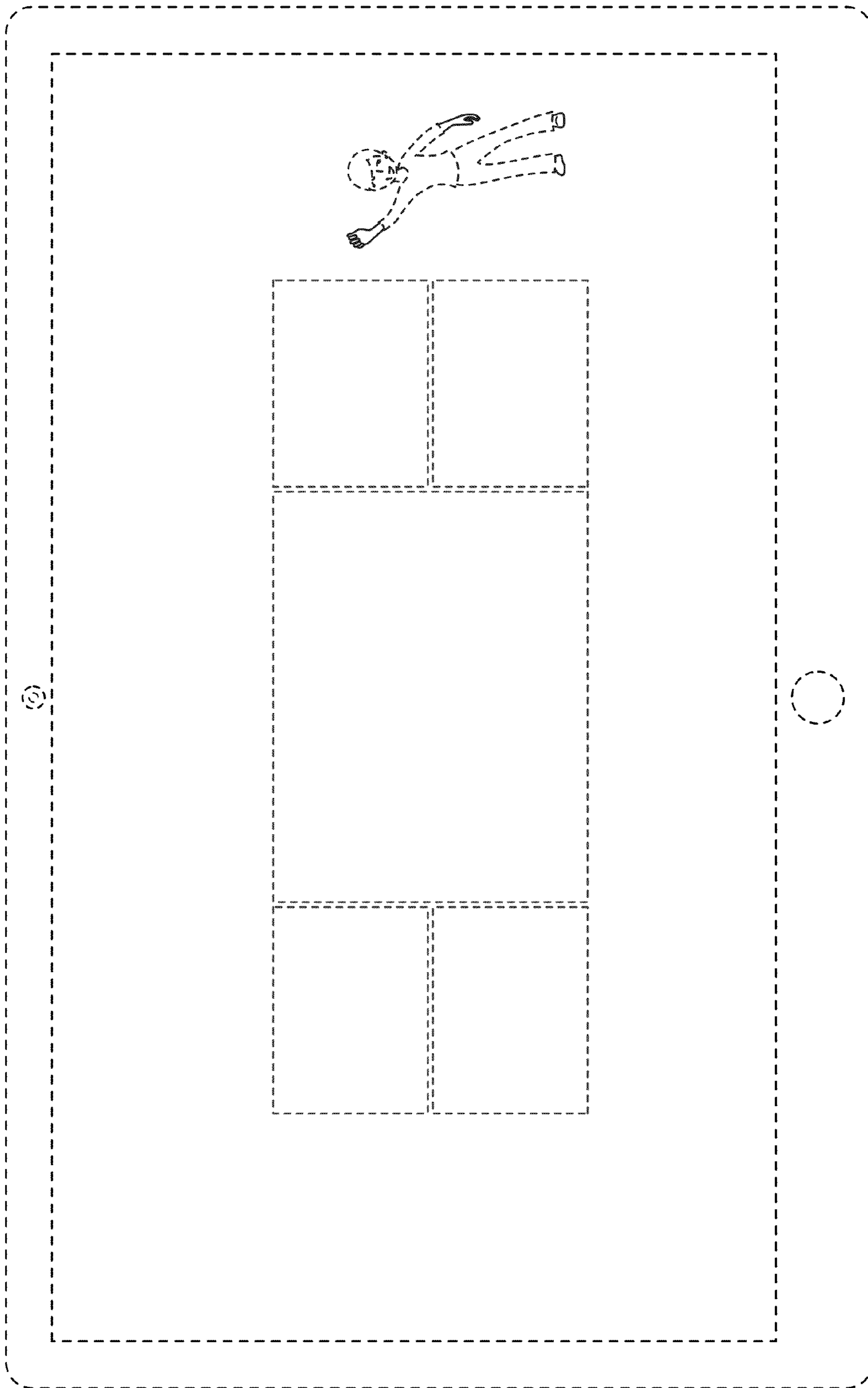


FIG. 9

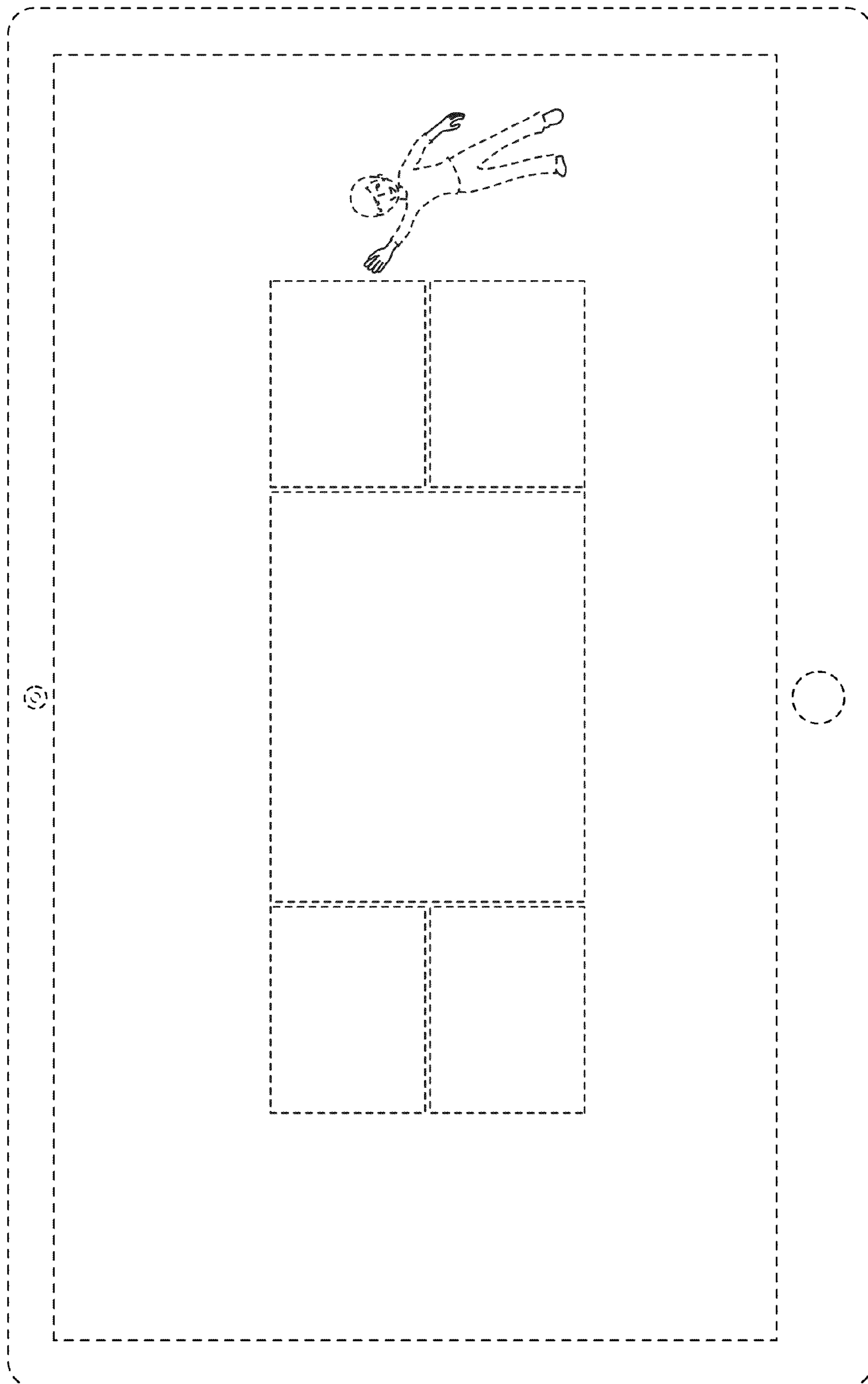


FIG. 10

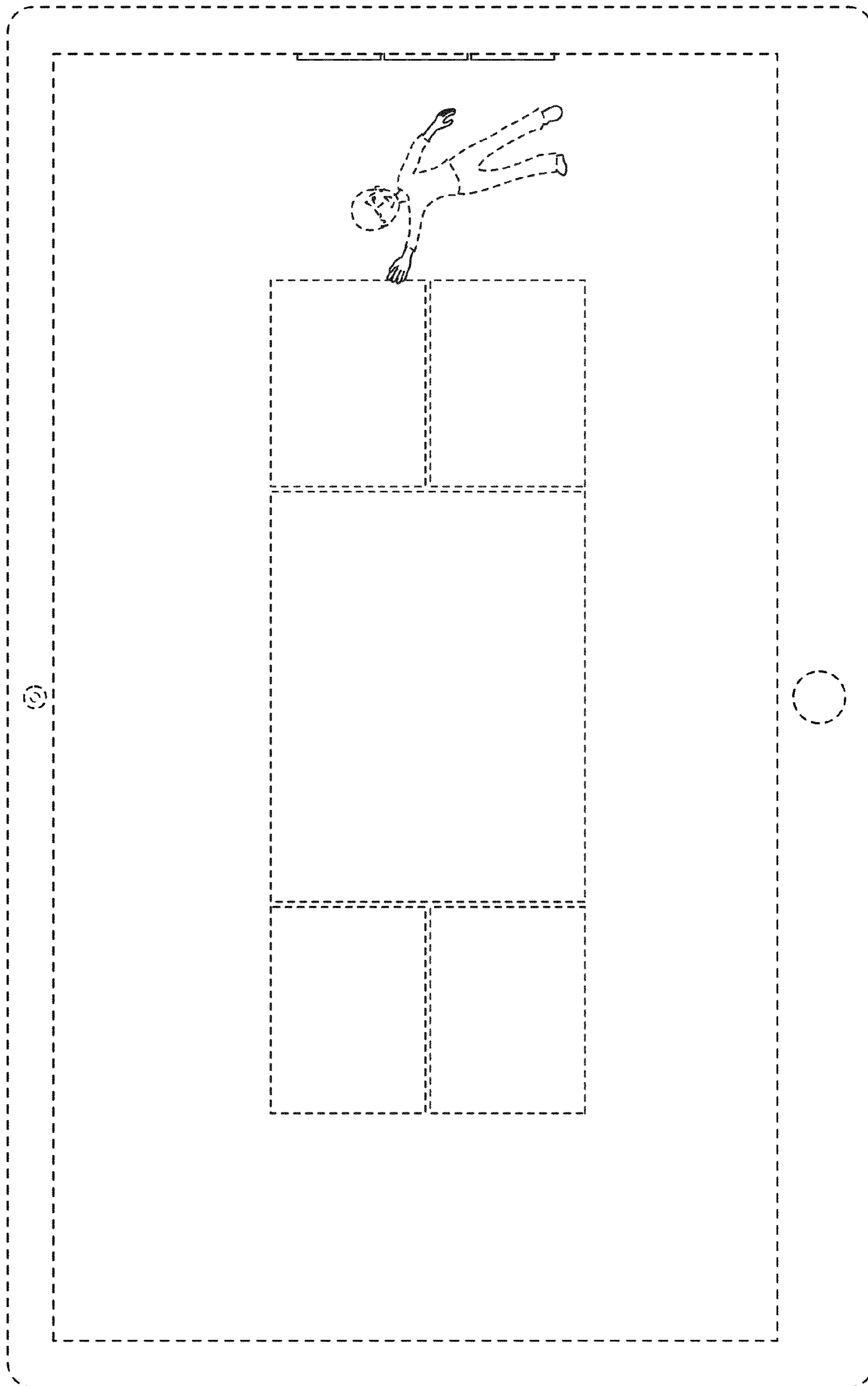


FIG. 11

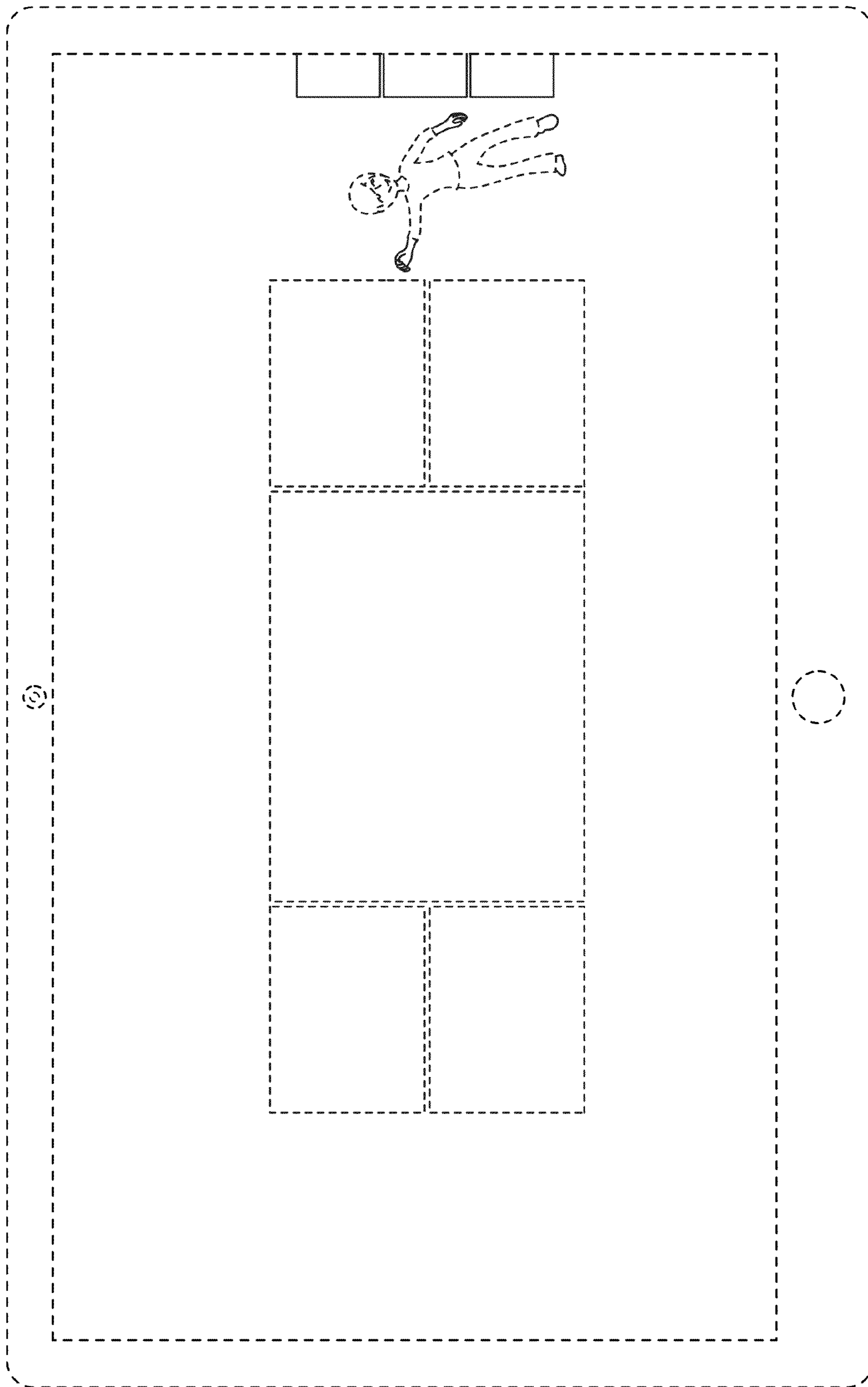


FIG. 12

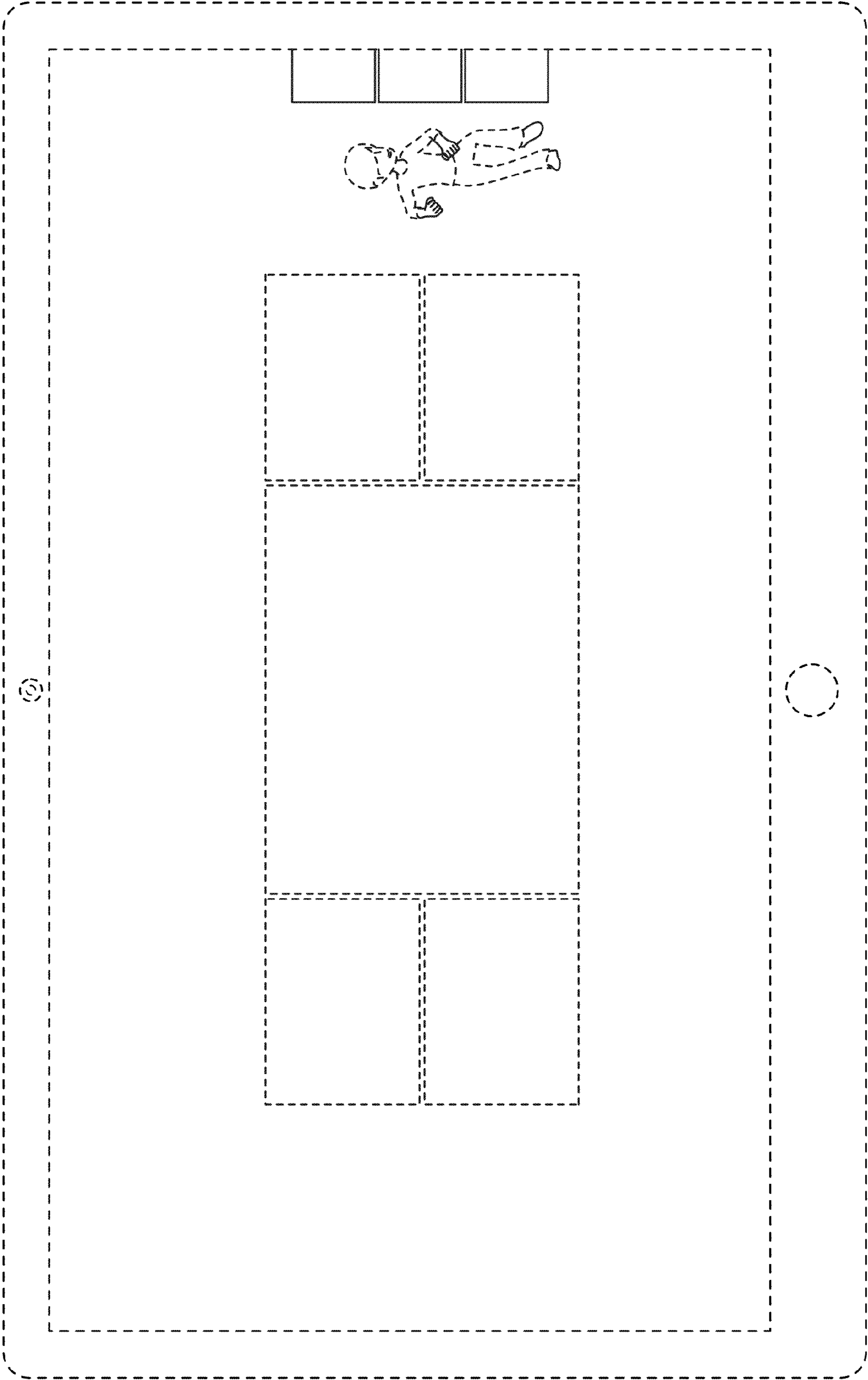


FIG. 13

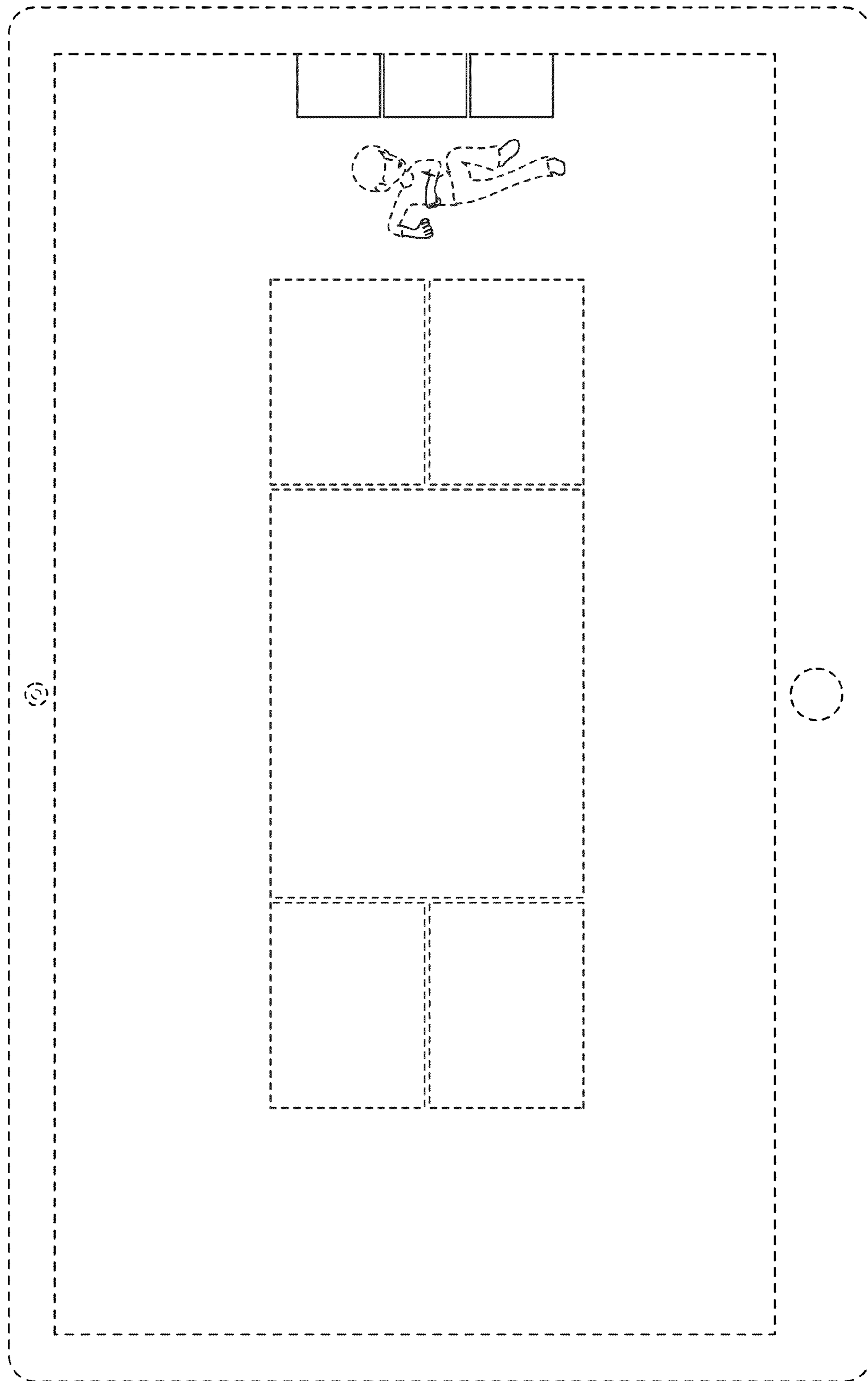


FIG. 14

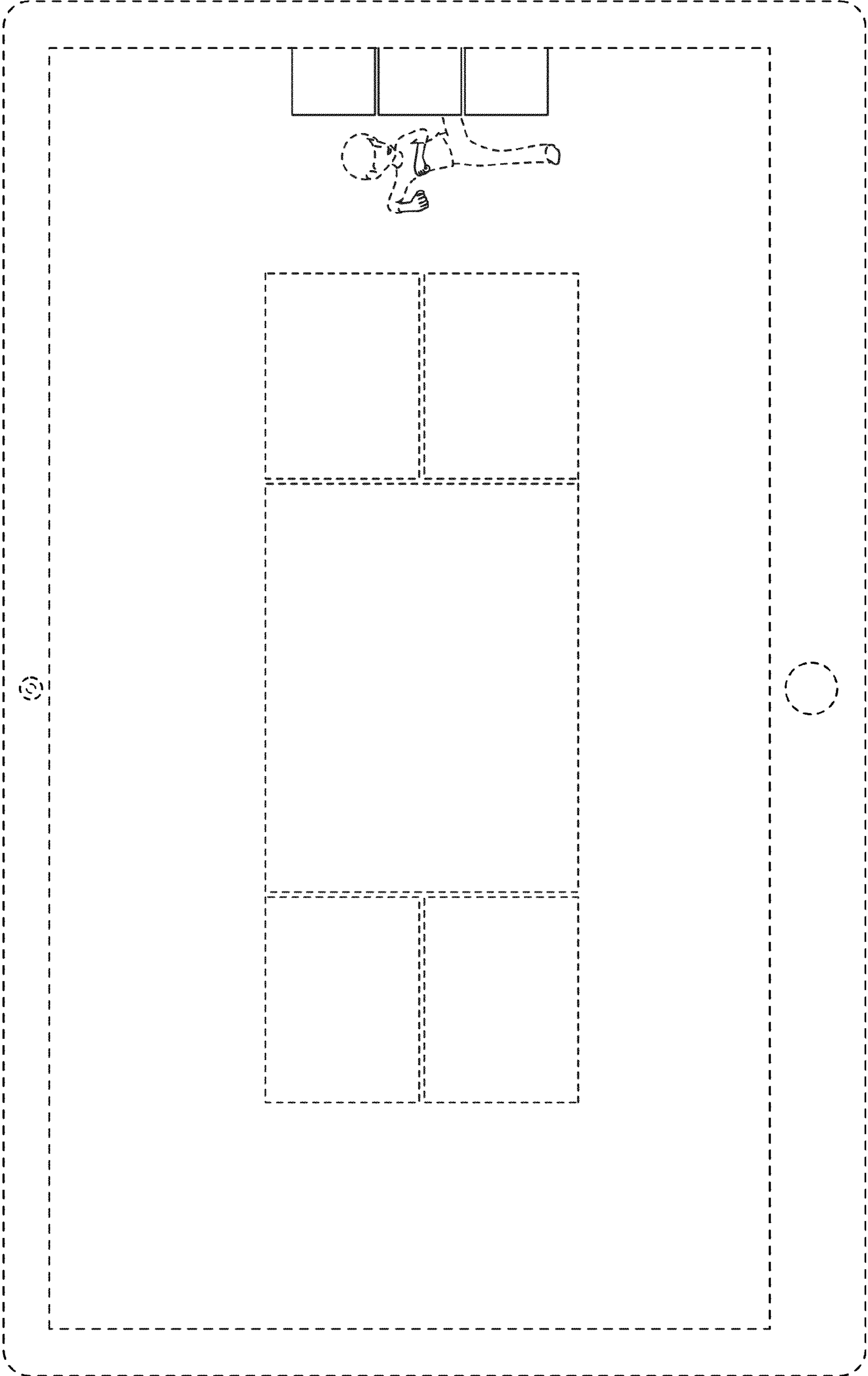


FIG. 15

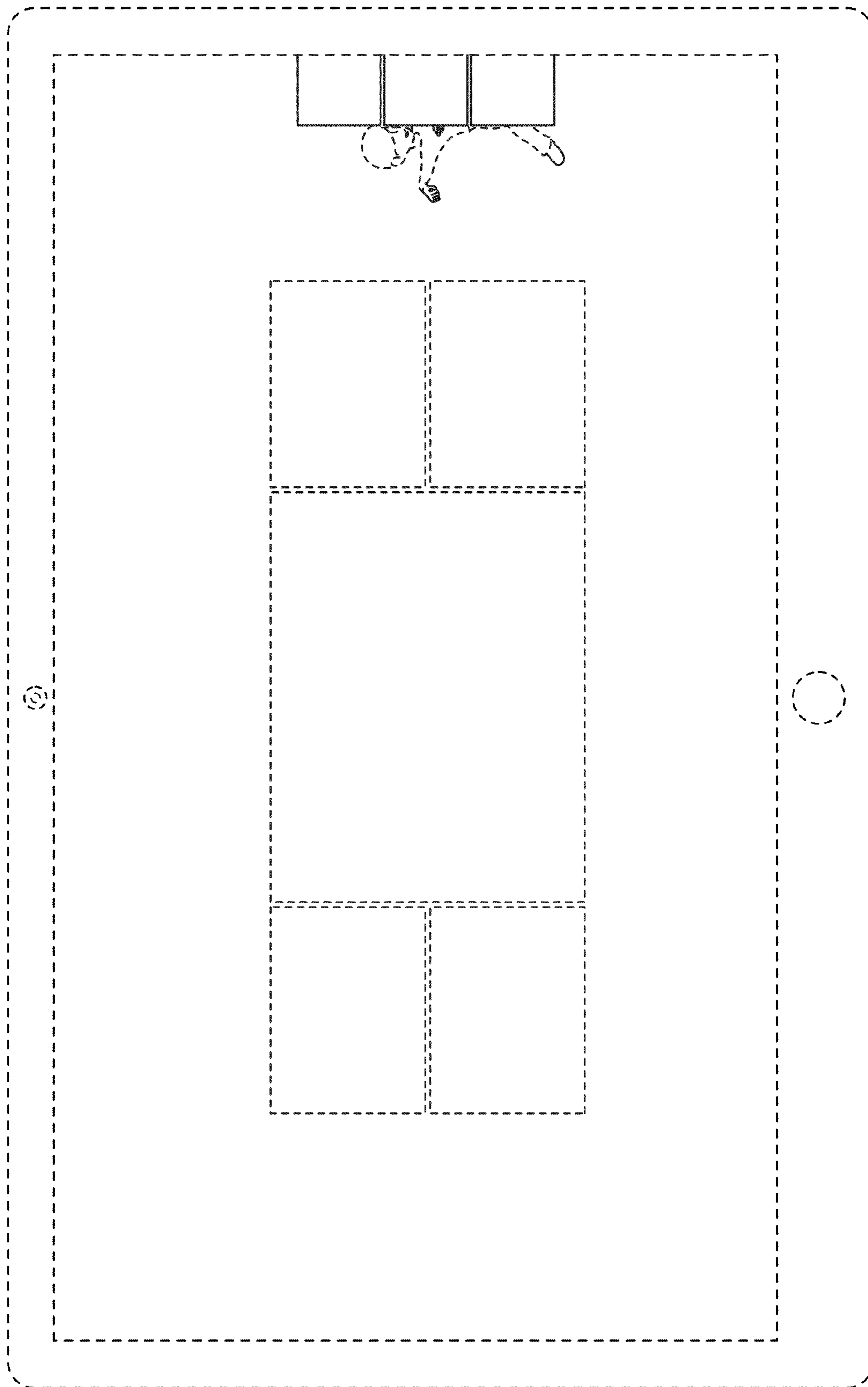


FIG. 16

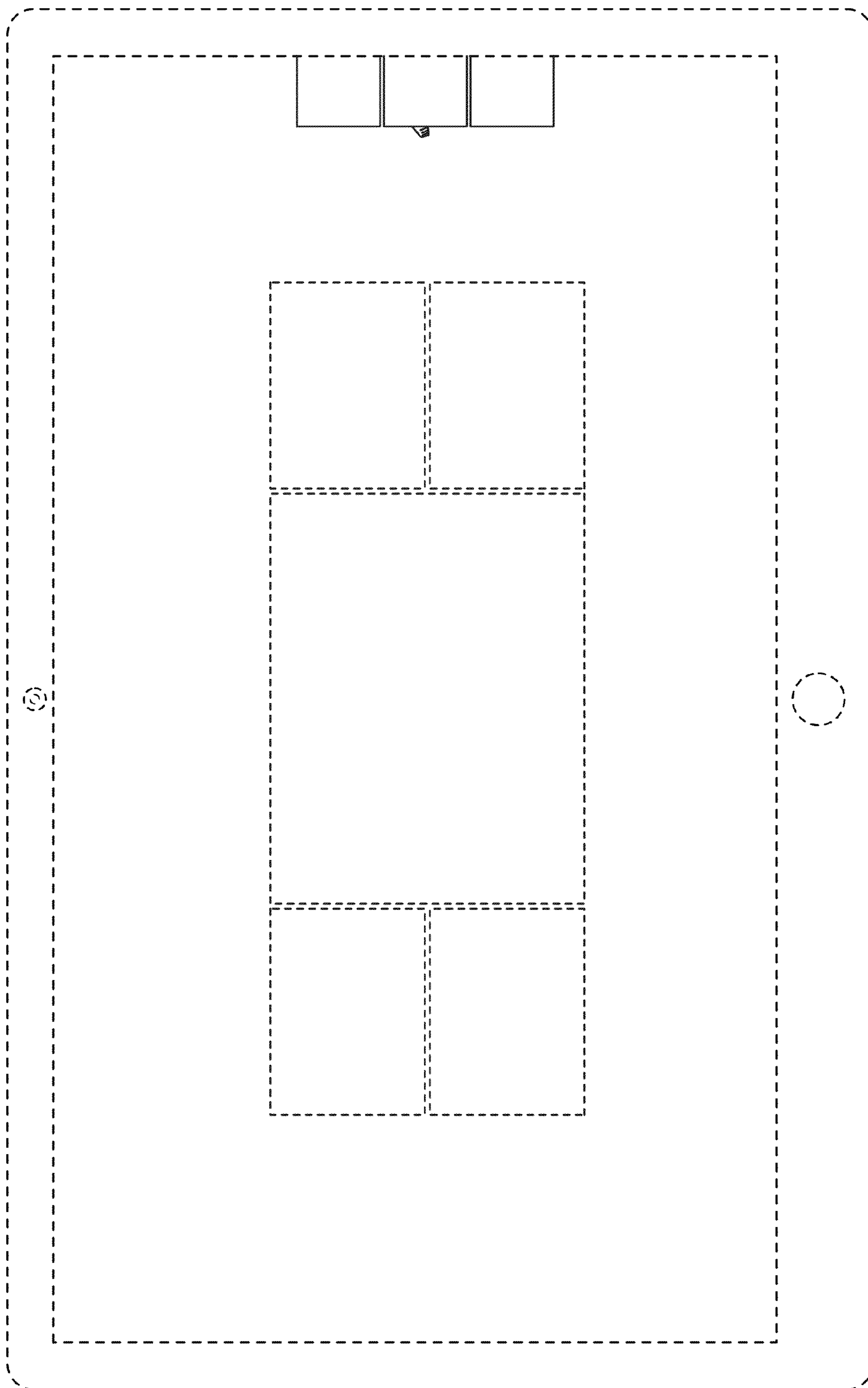


FIG. 17

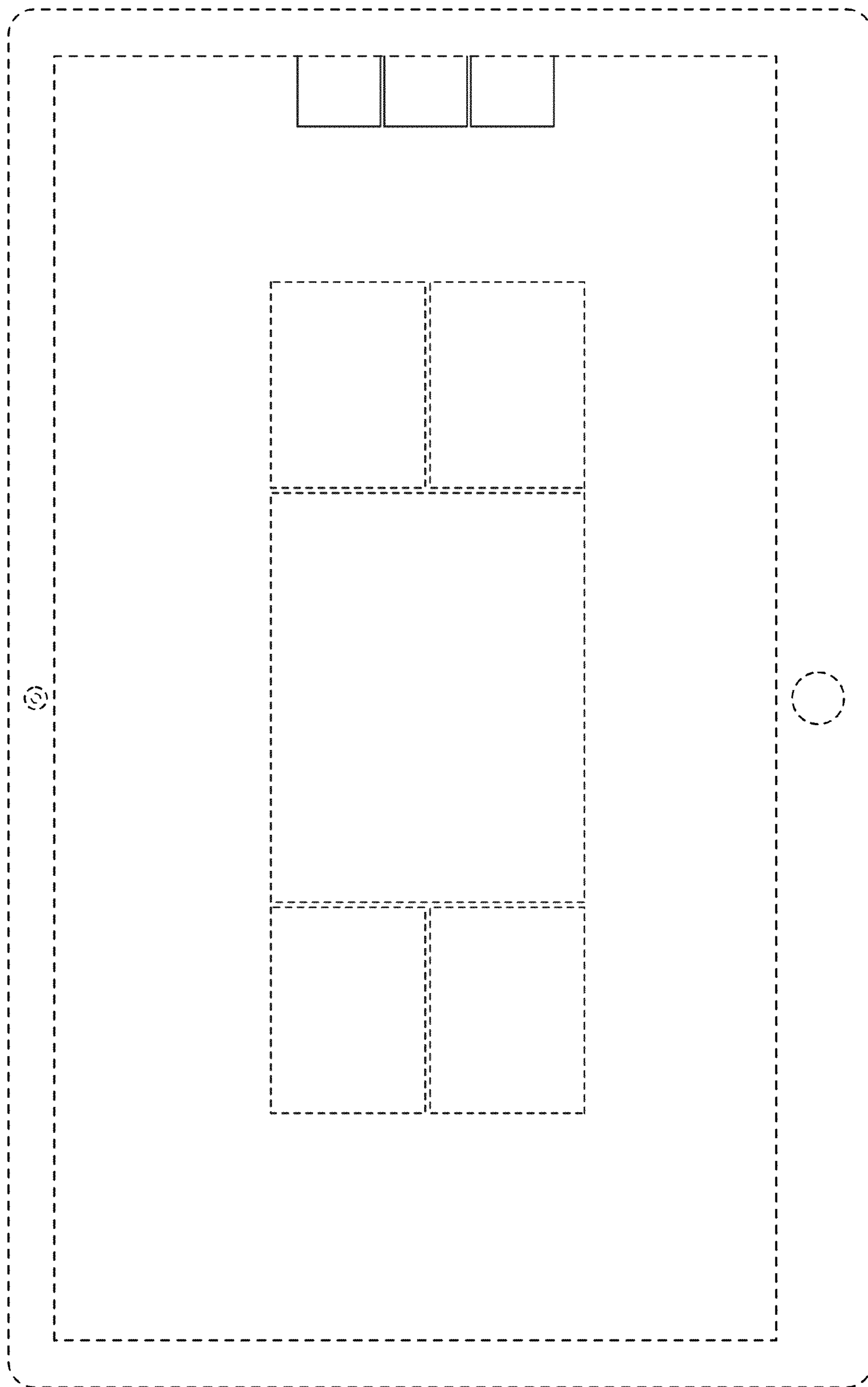


FIG. 18