



US00D686230S

(12) **United States Design Patent**
Rodenhouse et al.

(10) **Patent No.:** **US D686,230 S**
(45) **Date of Patent:** **** Jul. 16, 2013**

(54) **DISPLAY SCREEN WITH GRAPHICAL USER INTERFACE**

(75) Inventors: **Jennifer Rodenhouse**, Seattle, WA (US); **David Gardner**, Covington, WA (US); **Jeff Fleischmann**, Seattle, WA (US); **Cyrus Kanga**, Redmond, WA (US); **John Solaro**, Bellevue, WA (US)

(73) Assignee: **Microsoft Corporation**, Redmond, WA (US)

(**) Term: **14 Years**

(21) Appl. No.: **29/407,065**

(22) Filed: **Nov. 22, 2011**

(51) **LOC (9) Cl.** **14-02**

(52) **U.S. Cl.**
USPC **D14/486**

(58) **Field of Classification Search**
USPC D14/485–495; 715/700–867
See application file for complete search history.

(56) **References Cited**

U.S. PATENT DOCUMENTS

5,594,509	A *	1/1997	Florin et al.	725/43
D474,198	S *	5/2003	Barnes	D14/486
D528,556	S *	9/2006	Decombe	D14/486
D545,828	S	7/2007	Vong et al.	
D546,335	S	7/2007	Vong et al.	
D546,336	S	7/2007	Vong et al.	
D565,627	S *	4/2008	Kase	D16/219
7,370,284	B2 *	5/2008	Andrea et al.	715/788
7,389,253	B2 *	6/2008	Townsend et al.	705/26.8
D599,363	S	9/2009	Mays	
D599,364	S	9/2009	Mays	
D599,365	S	9/2009	Brown et al.	
D599,366	S	9/2009	Brown et al.	
D599,367	S	9/2009	Mays et al.	

D599,368	S	9/2009	Kanga et al.	
7,761,812	B2 *	7/2010	Ostojic et al.	715/835
D622,730	S	8/2010	Krum et al.	
D626,139	S *	10/2010	McLaughlin et al.	D14/486
D627,361	S	11/2010	Lew et al.	
D627,363	S	11/2010	Lew	
D629,417	S	12/2010	Weir et al.	
7,864,978	B2 *	1/2011	Anthony et al.	382/100
D641,372	S	7/2011	Gardner et al.	
D641,373	S	7/2011	Gardner et al.	
D643,438	S	8/2011	Gardner et al.	
D645,469	S	9/2011	Gardner et al.	
D655,304	S *	3/2012	Zaman et al.	D14/486
D658,196	S *	4/2012	Wood et al.	D14/486
D658,670	S *	5/2012	Ray et al.	D14/486
D658,672	S *	5/2012	Ray et al.	D14/486
D664,152	S *	7/2012	Ray et al.	D14/486
D664,970	S *	8/2012	Ray et al.	D14/486
D667,419	S *	9/2012	Rai et al.	D14/486
D676,864	S *	2/2013	Velasco et al.	D14/486
2002/0093539	A1 *	7/2002	Os et al.	345/810
2009/0249223	A1 *	10/2009	Barsook et al.	715/753

* cited by examiner

Primary Examiner — Deanna L Fluegeman

(74) *Attorney, Agent, or Firm* — Banner & Witcoff, Ltd.

(57) **CLAIM**

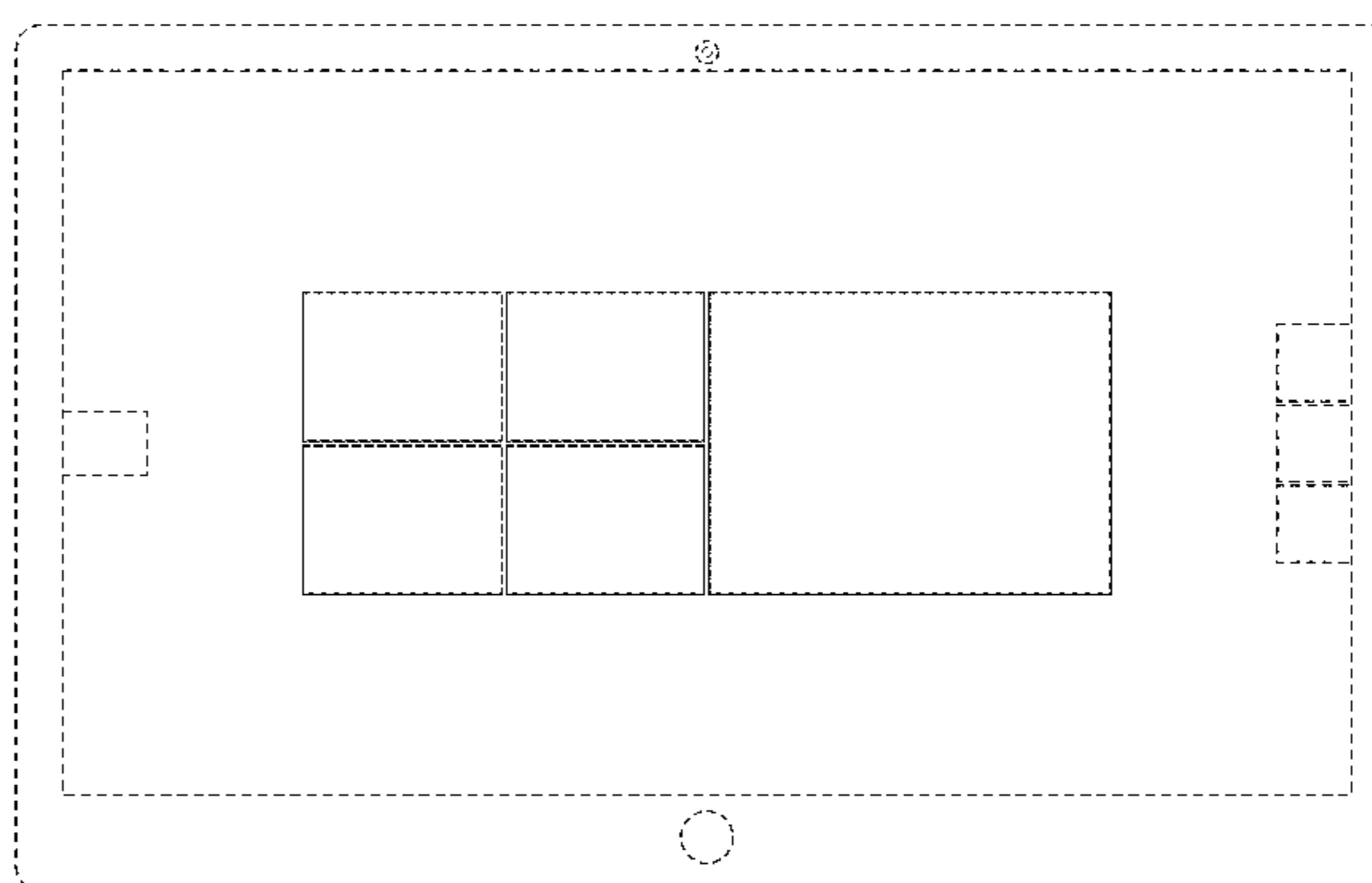
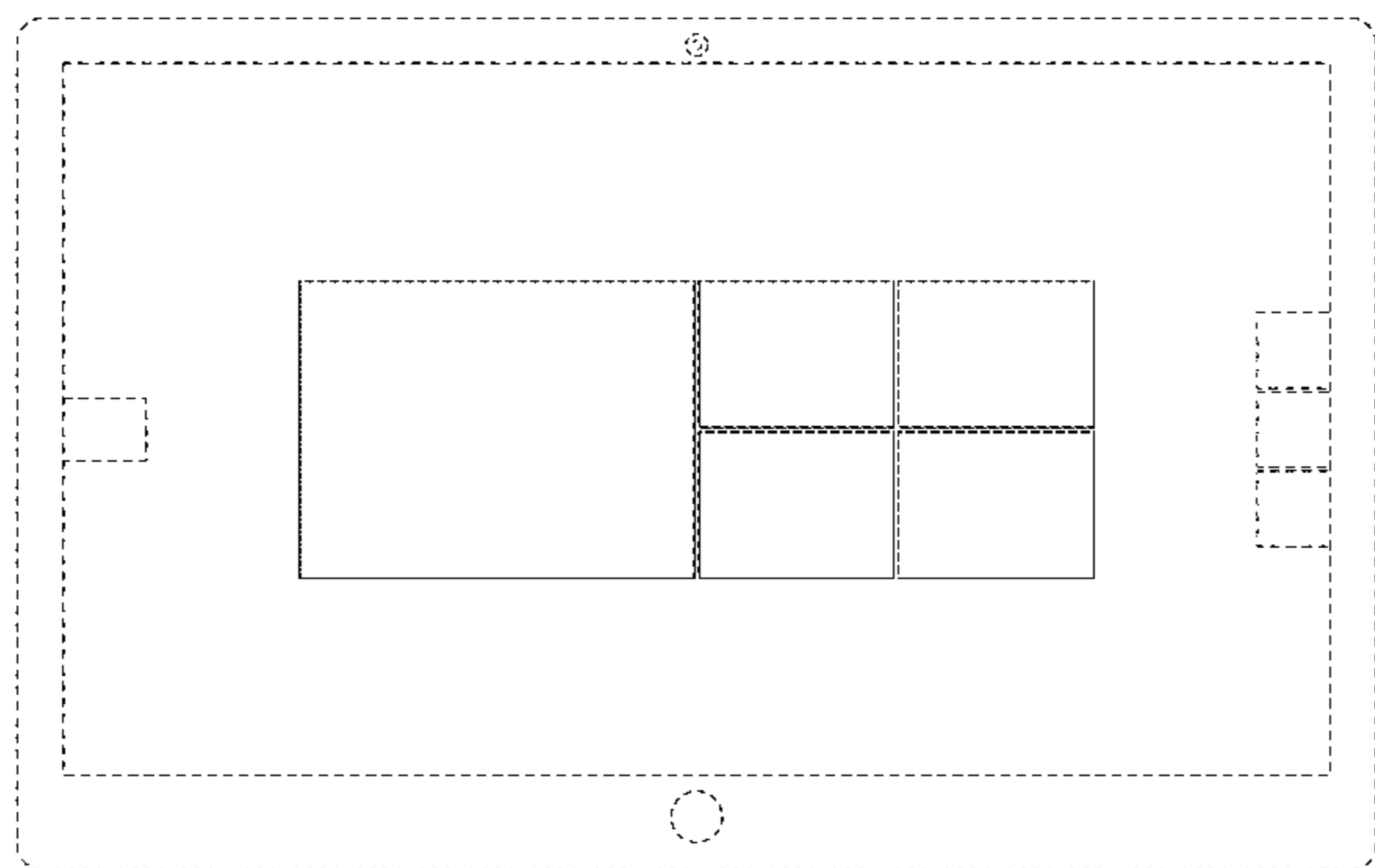
The ornamental design for a display screen with graphical user interface, as shown and described.

DESCRIPTION

FIG. 1 is a front view of a display screen with graphical user interface showing the new design; and, FIG. 2 is a front view of a display screen with graphical user interface showing an alternative embodiment of the new design.

The broken line showing of the rectangles and the remainder of the display screen is for environmental purposes only and forms no part of the claimed design.

1 Claim, 2 Drawing Sheets



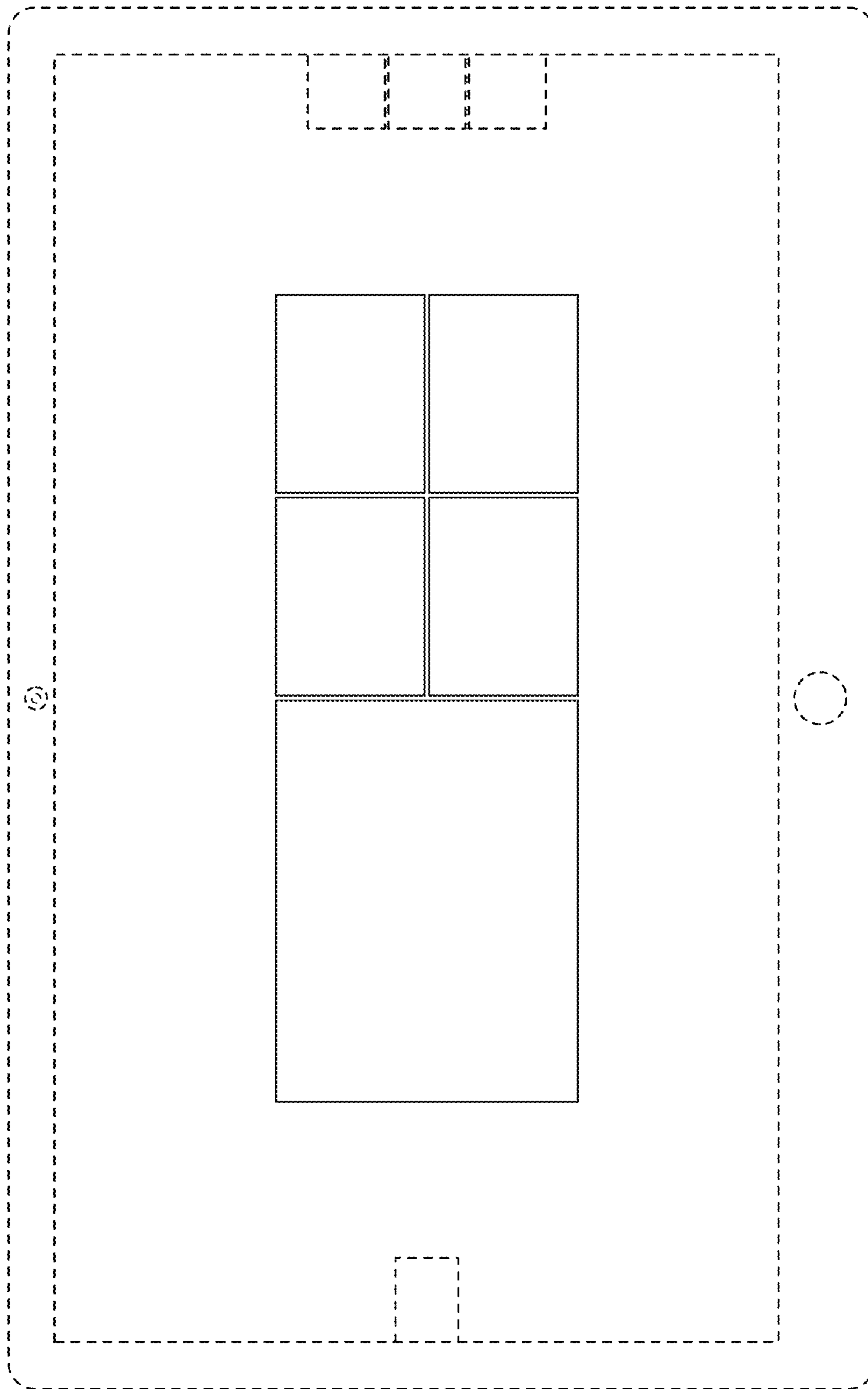


FIG. 1

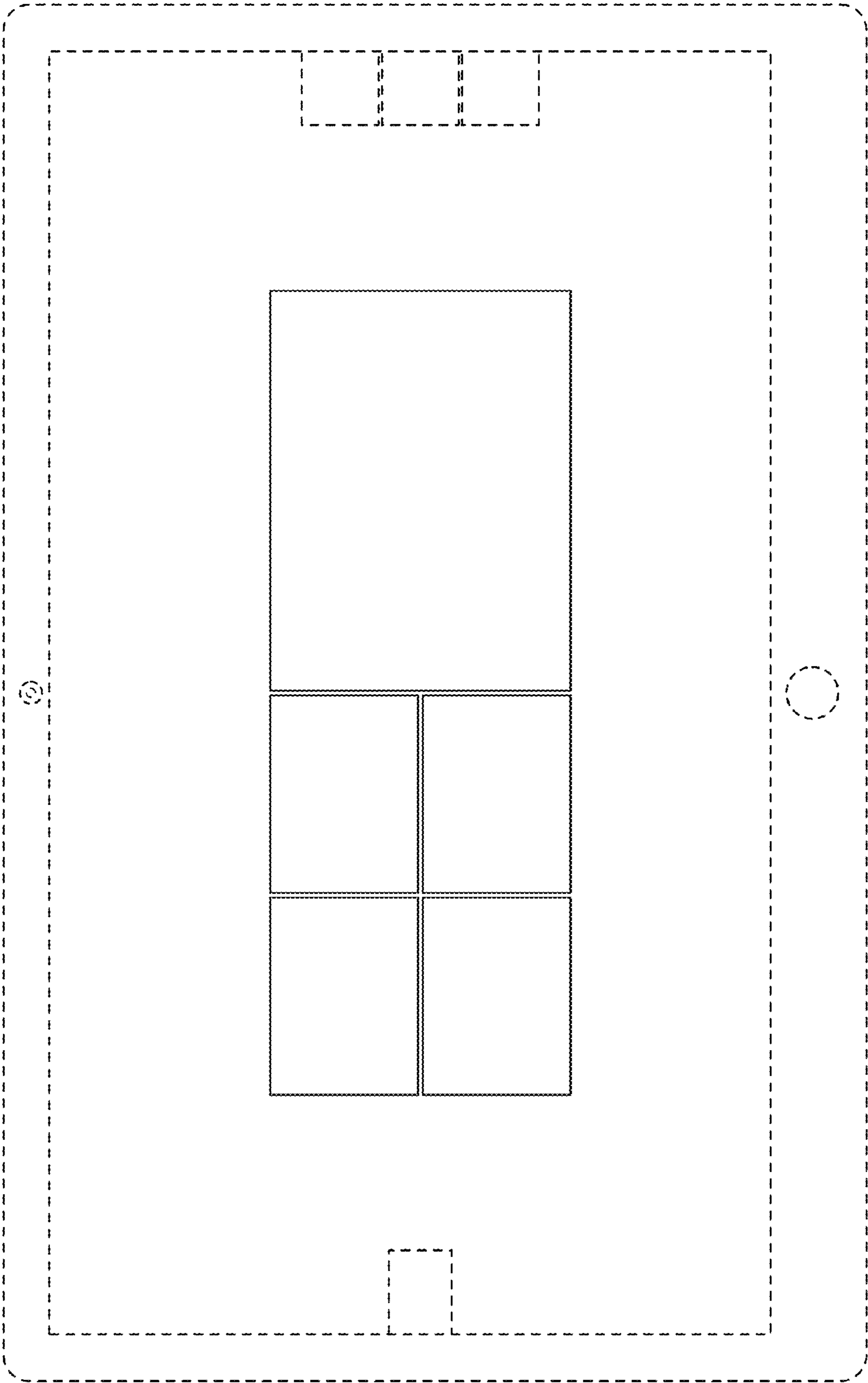


FIG. 2