



US00D686217S

(12) **United States Design Patent**  
**André**

(10) **Patent No.:** **US D686,217 S**  
(45) **Date of Patent:** **\*\* Jul. 16, 2013**

(54) **WEARABLE SLAP-ON USB DEVICE**

(75) Inventor: **Olivier André, Pok Fu Lam (HK)**

(73) Assignee: **Intermed Asia Limited, Hung Hom, Kowloon (HK)**

(\*\*) Term: **14 Years**

(21) Appl. No.: **29/418,495**

(22) Filed: **Apr. 17, 2012**

(51) **LOC (9) Cl.** ..... **14-02**

(52) **U.S. Cl.**  
USPC ..... **D14/480.3; D14/480.5; D11/2**

(58) **Field of Classification Search**  
USPC ..... D14/411, 433, 435.1, 436, 480.1–480.7,  
D14/484.1, 137, 155, 203.1–203.8, 240;  
D13/133, 154; 361/679.31, 679.33, 679.4,  
361/752; 439/131, 135–147; 710/300, 301;  
711/100, 115; D10/31–32; D11/2–5, 9, 14,  
D11/26; 63/3

See application file for complete search history.

(56) **References Cited**

**U.S. PATENT DOCUMENTS**

D10,612	S	*	4/1878	Byron	.....	D11/5
D190,753	S	*	6/1961	Brauchi	.....	D11/5
D260,621	S	*	9/1981	Bulgari	.....	D11/5
D317,730	S	*	6/1991	Mo	.....	D11/5
5,857,217	A	*	1/1999	Hsueh	.....	2/170
D414,129	S	*	9/1999	Clegg	.....	D11/4
5,971,612	A	*	10/1999	McAuslan	.....	383/43
D435,460	S	*	12/2000	Cebe et al.	.....	D10/31
6,782,648	B1	*	8/2004	Mosher, Jr.	.....	40/633
D495,611	S	*	9/2004	Jørgensen	.....	D10/32
6,914,197	B2	*	7/2005	Doherty et al.	.....	174/254
D548,129	S	*	8/2007	Fineide	.....	D11/5
D551,584	S	*	9/2007	Highfill	.....	D11/3
D555,028	S	*	11/2007	Highfill	.....	D11/3
D556,194	S	*	11/2007	Rambosek et al.	.....	D14/480.3
D558,198	S	*	12/2007	Blankenship et al.	.....	D14/480.5
7,347,019	B1	*	3/2008	Shaw	.....	40/607.01

D567,227	S	*	4/2008	Hada	.....	D14/218
D571,684	S	*	6/2008	Kim	.....	D11/2
7,416,424	B1	*	8/2008	Deckman	.....	439/135
7,455,525	B2	*	11/2008	Rambosek et al.	.....	439/37
D581,826	S	*	12/2008	Molyneux	.....	D11/2
D583,815	S	*	12/2008	Giovannoni	.....	D14/480.3

(Continued)

*Primary Examiner* — Karen E Kearney

(74) *Attorney, Agent, or Firm* — Merchant & Gould P.C.

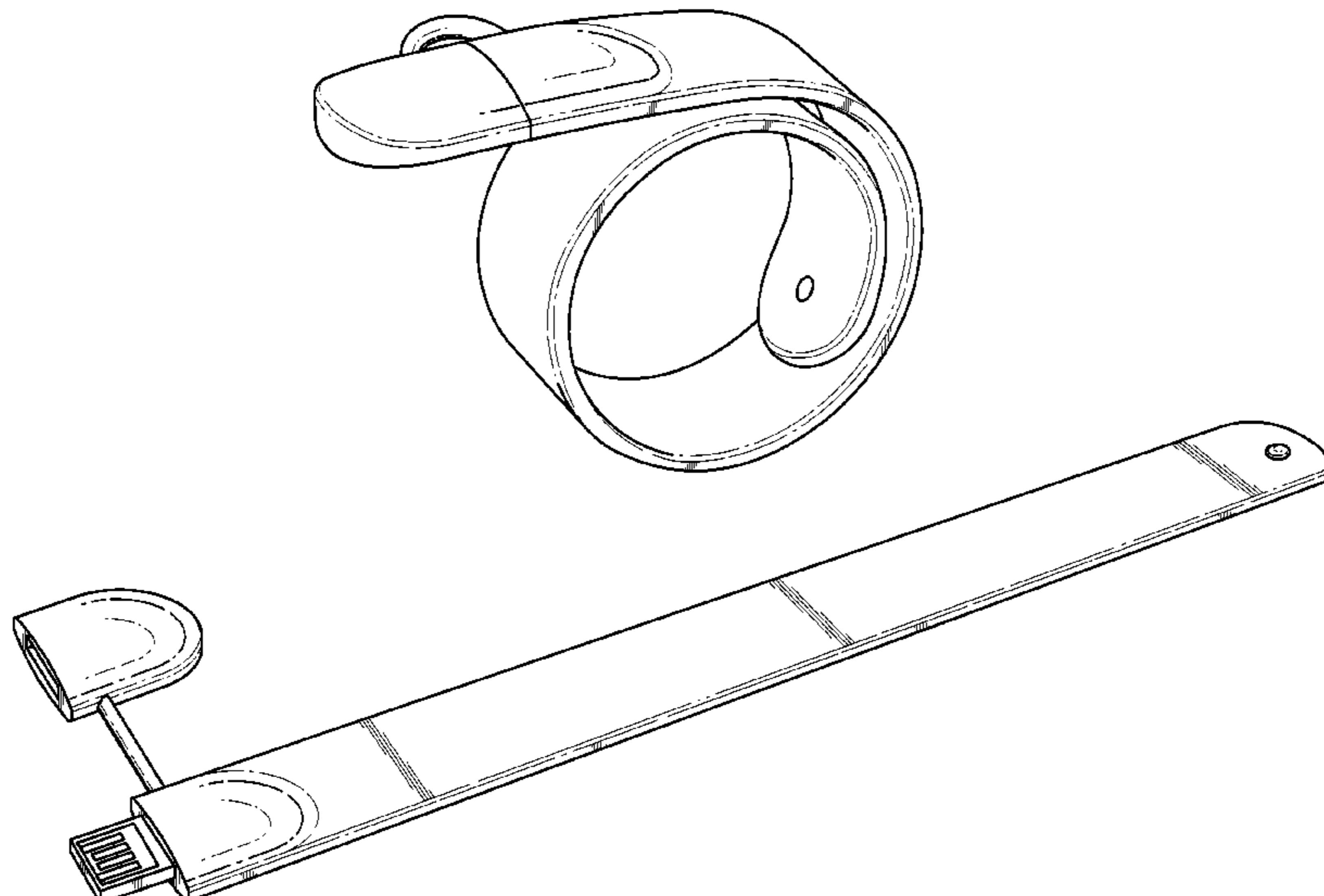
(57) **CLAIM**

The ornamental design for wearable slap-on USB device, as shown and described.

**DESCRIPTION**

FIG. 1 is a perspective view showing my design thereof;  
 FIG. 2 is a top view thereof;  
 FIG. 3 is a bottom view thereof;  
 FIG. 4 is a side view thereof;  
 FIG. 5 is an opposite side view thereof;  
 FIG. 6 is a front view thereof;  
 FIG. 7 is a rear view thereof;  
 FIG. 8 is a perspective view of thereof in a rolled configuration;  
 FIG. 9 is a perspective view of thereof with the USB connector exposed;  
 FIG. 10 is a top view thereof with the USB connector exposed;  
 FIG. 11 is a bottom view of thereof with the USB connector exposed;  
 FIG. 12 is a side view of thereof with the USB connector exposed;  
 FIG. 13 is an opposite side view of thereof with the USB connector exposed;  
 FIG. 14 is a front view of thereof with the USB connector exposed; and,  
 FIG. 15 is a rear view of thereof with the cap removed from the USB connector.

**1 Claim, 15 Drawing Sheets**



# US D686,217 S

Page 2

---

## U.S. PATENT DOCUMENTS

D602,494 S *	10/2009	Lannon et al. ....	D14/480.5	D655,497 S *	3/2012	Stanley .....	D3/218
D610,134 S *	2/2010	Gotzen .....	D14/480.5	D675,631 S *	2/2013	Bedol et al. ....	D14/480.2
D610,156 S *	2/2010	Mudrick .....	D14/480.5	2003/0155389 A1 *	8/2003	Swartzentruber .....	224/164
D612,269 S *	3/2010	Leung .....	D10/32	2009/0323296 A1 *	12/2009	Sanzone .....	361/752
D636,383 S *	4/2011	Hao .....	D14/242	2012/0087216 A1 *	4/2012	Keung et al. ....	368/282
D640,156 S *	6/2011	Chan .....	D11/3	2012/0324945 A1 *	12/2012	Koeppel .....	63/1.13
D643,428 S *	8/2011	Janky et al. ....	D14/358	2013/0044215 A1 *	2/2013	Rothkopf et al. ....	348/143
D644,002 S *	8/2011	Saito et al. ....	D2/600	2013/0056602 A1 *	3/2013	Zivku .....	248/339
D645,360 S *	9/2011	Kiser et al. ....	D10/32				

\* cited by examiner

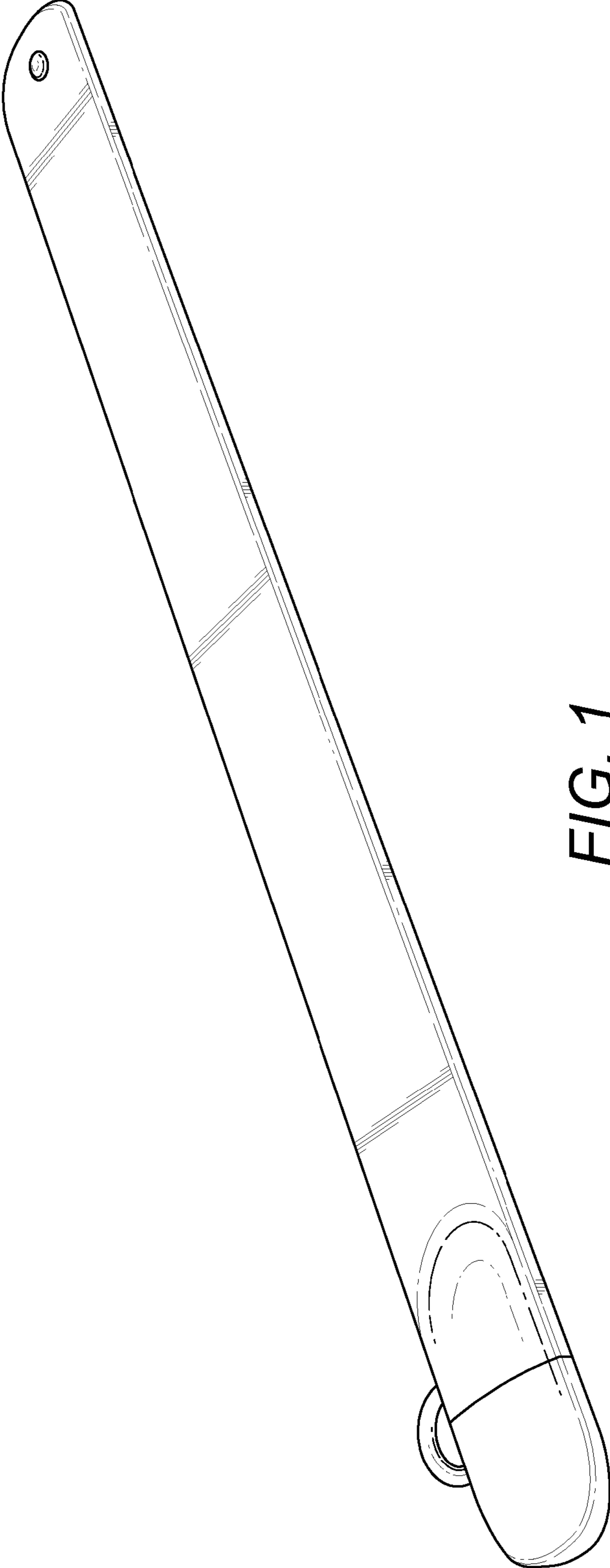


FIG. 1

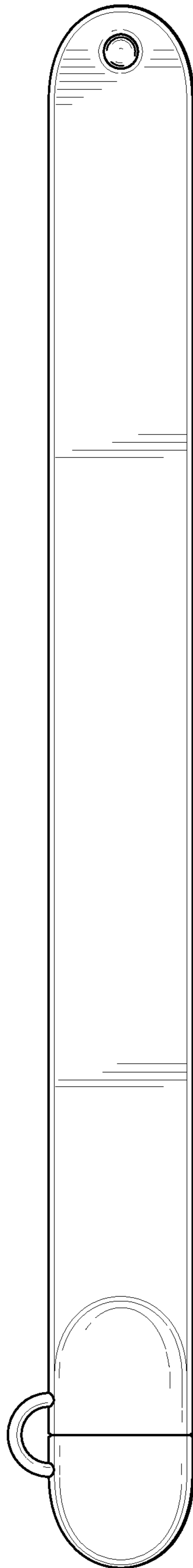


FIG. 2

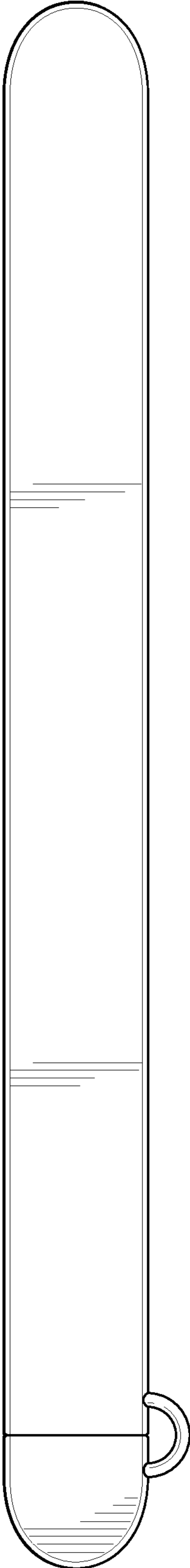
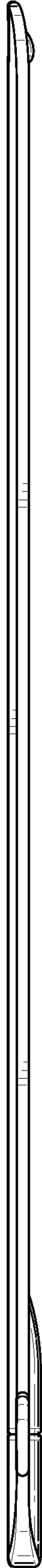


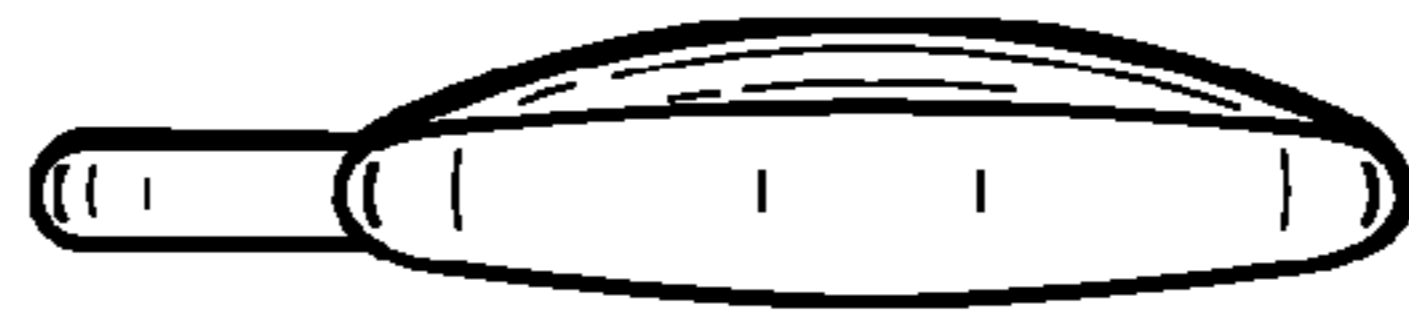
FIG. 3



*FIG. 4*



*FIG. 5*

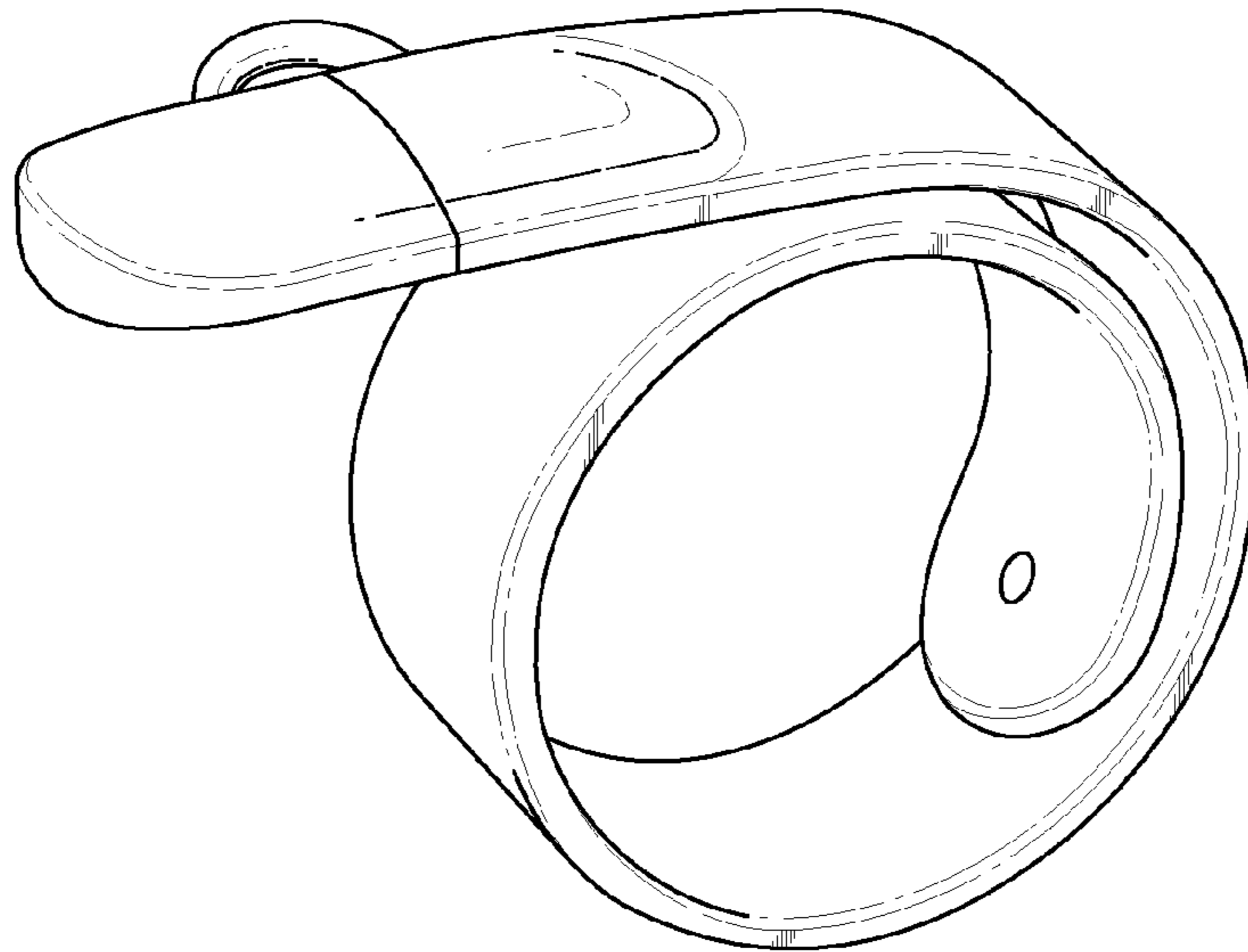


*FIG. 6*





*FIG. 7*



*FIG. 8*

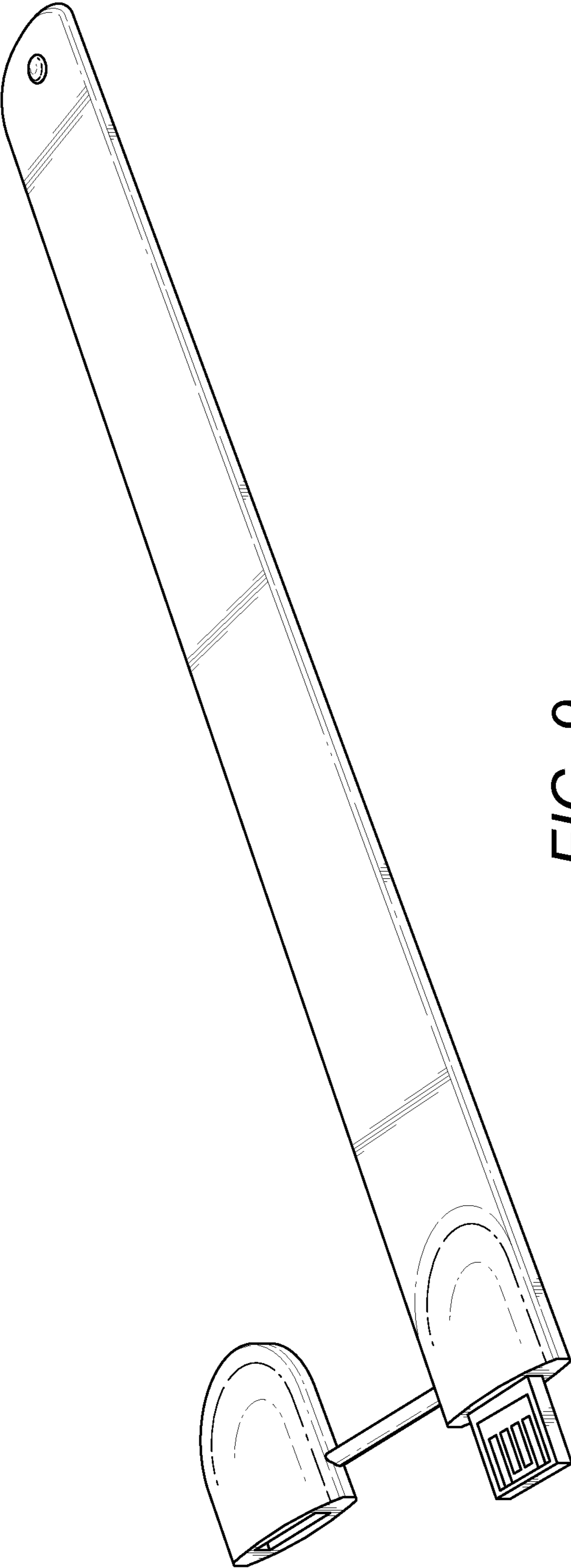


FIG. 9

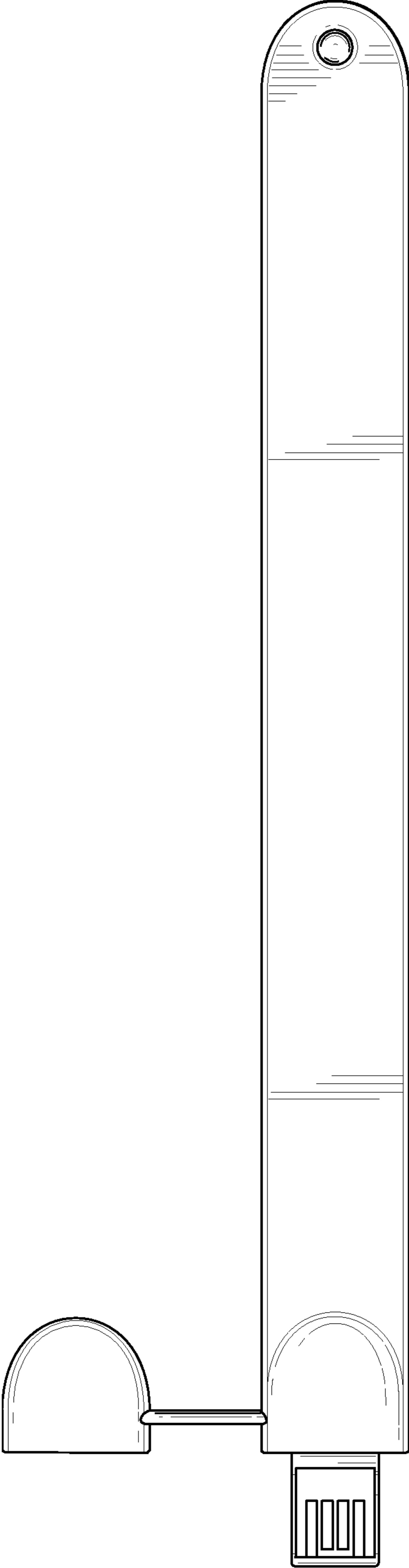


FIG. 10



FIG. 11



FIG. 12

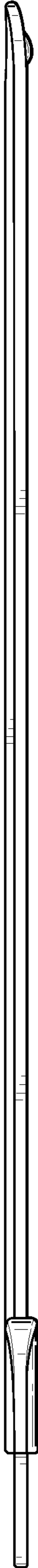
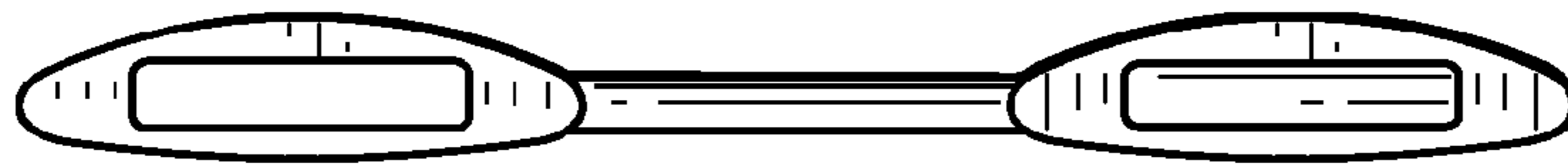


FIG. 13



*FIG. 14*





*FIG. 15*