



US00D686216S

(12) **United States Design Patent**  
**Hachadorian et al.**

(10) **Patent No.:** **US D686,216 S**  
(45) **Date of Patent:** **\*\* Jul. 16, 2013**

(54) **CRADLE FOR ELECTRONICS DEVICE**

(75) Inventors: **Gary Hachadorian**, Frankfurt a.M. (DE); **Ben Bartlett**, Frankston South (AU); **Paul Mason**, Berwick (AU); **Sam Manning**, Hampton Park (AU); **Jonathan Evans**, Prahran (AU); **Keith Evans**, Beaconsfield (AU); **Jeraldine Mary Evans**, legal representative, Beaconsfield (AU); **David Waterson**, Glen Iris (AU); **Kerry Lee**, Chelsea (AU)

(73) Assignee: **Lumen Australia Pty Ltd**, Victoria (AU)

(\*\*) Term: **14 Years**

(21) Appl. No.: **29/418,596**

(22) Filed: **Apr. 18, 2012**

(30) **Foreign Application Priority Data**

Oct. 18, 2011 (AU) ..... 14710/2011

(51) **LOC (9) Cl.** ..... **08-07**

(52) **U.S. Cl.**  
USPC ..... **D14/447**

(58) **Field of Classification Search**  
USPC ..... D14/447, 448, 451, 452, 440, 432, D14/434, 439, 457, 238.1, 217, 251, 252, D14/253, 239, 250; D6/406.3, 406.4, 406.5, D6/406.6; 361/679.09, 679.26, 679.27, 679.28, 361/679.29, 679.3, 679.55, 679.56; 248/917-924, 133, 136, 139, 150, 176.1, 248/188.6, 288.31; D13/108

See application file for complete search history.

(56) **References Cited**

U.S. PATENT DOCUMENTS

D643,433	S	*	8/2011	Hsieh et al.	.....	D14/440
D645,033	S	*	9/2011	Quong et al.	.....	D14/253
D656,931	S	*	4/2012	Wikel	.....	D14/253
D656,932	S	*	4/2012	Wikel	.....	D14/253
D657,355	S	*	4/2012	Wikel et al.	.....	D14/253
D657,356	S	*	4/2012	Wikel	.....	D14/253
D660,305	S	*	5/2012	Ho et al.	.....	D14/447
D660,840	S	*	5/2012	Chen	.....	D14/434
D666,205	S	*	8/2012	Li et al.	.....	D14/452
8,282,060	B2	*	10/2012	Fan	.....	248/291.1
D670,295	S	*	11/2012	Prescott et al.	.....	D14/447
D671,544	S	*	11/2012	Chun et al.	.....	D14/447
2012/0175474	A1	*	7/2012	Barnard et al.	.....	248/122.1

\* cited by examiner

*Primary Examiner* — Angela J Lee

(74) *Attorney, Agent, or Firm* — D. Peter Hochberg; Sean F. Mellino

(57) **CLAIM**

The ornamental design for an cradle for electronics device, as shown and described.

**DESCRIPTION**

FIG. 1 is a front perspective view of the cradle for electronics device according to the invention;

FIG. 2 is a rear perspective view of the cradle for electronics device as shown in FIG. 1.

FIG. 3 is a front view of the cradle for electronics device as shown in FIG. 1;

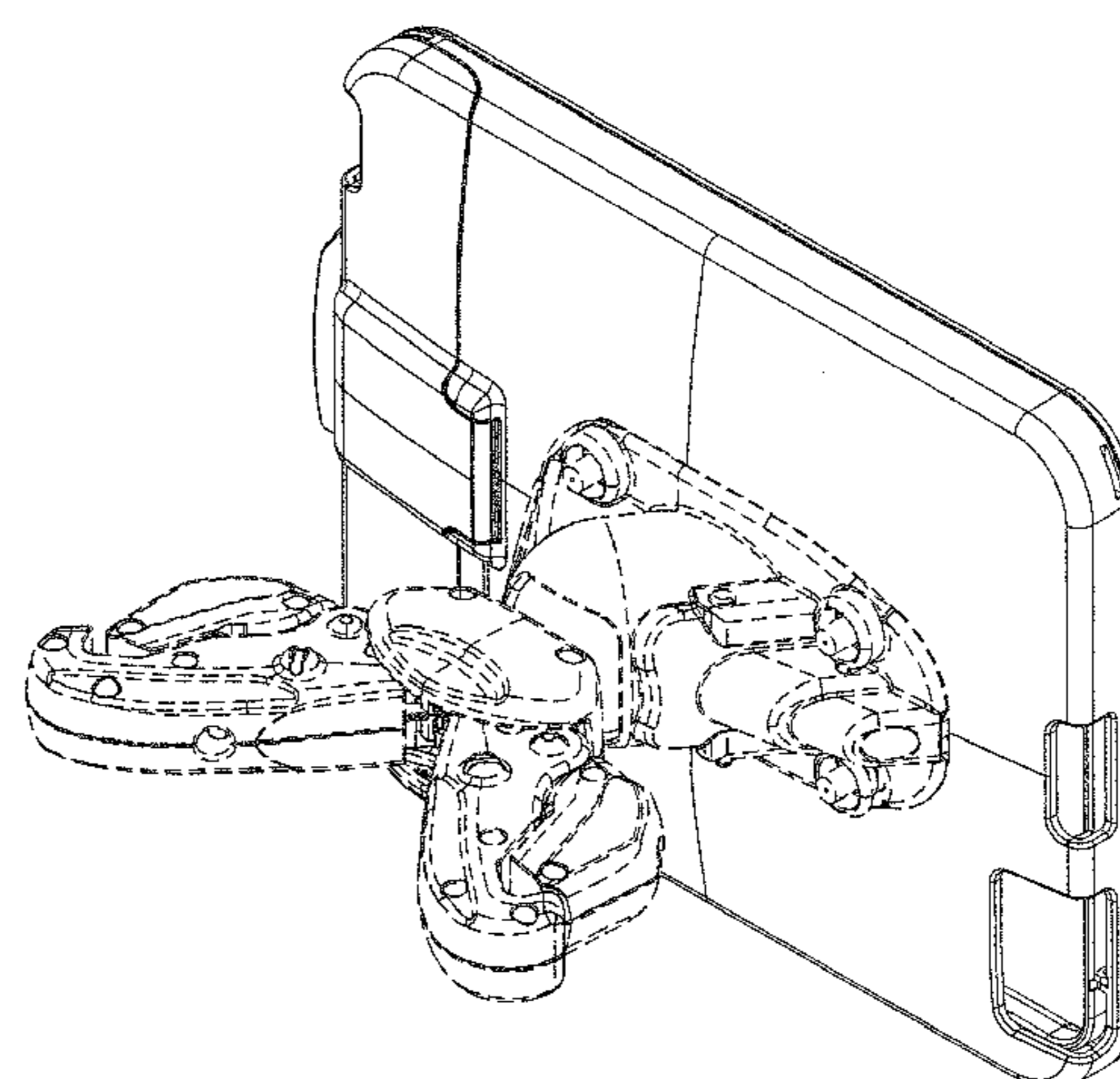
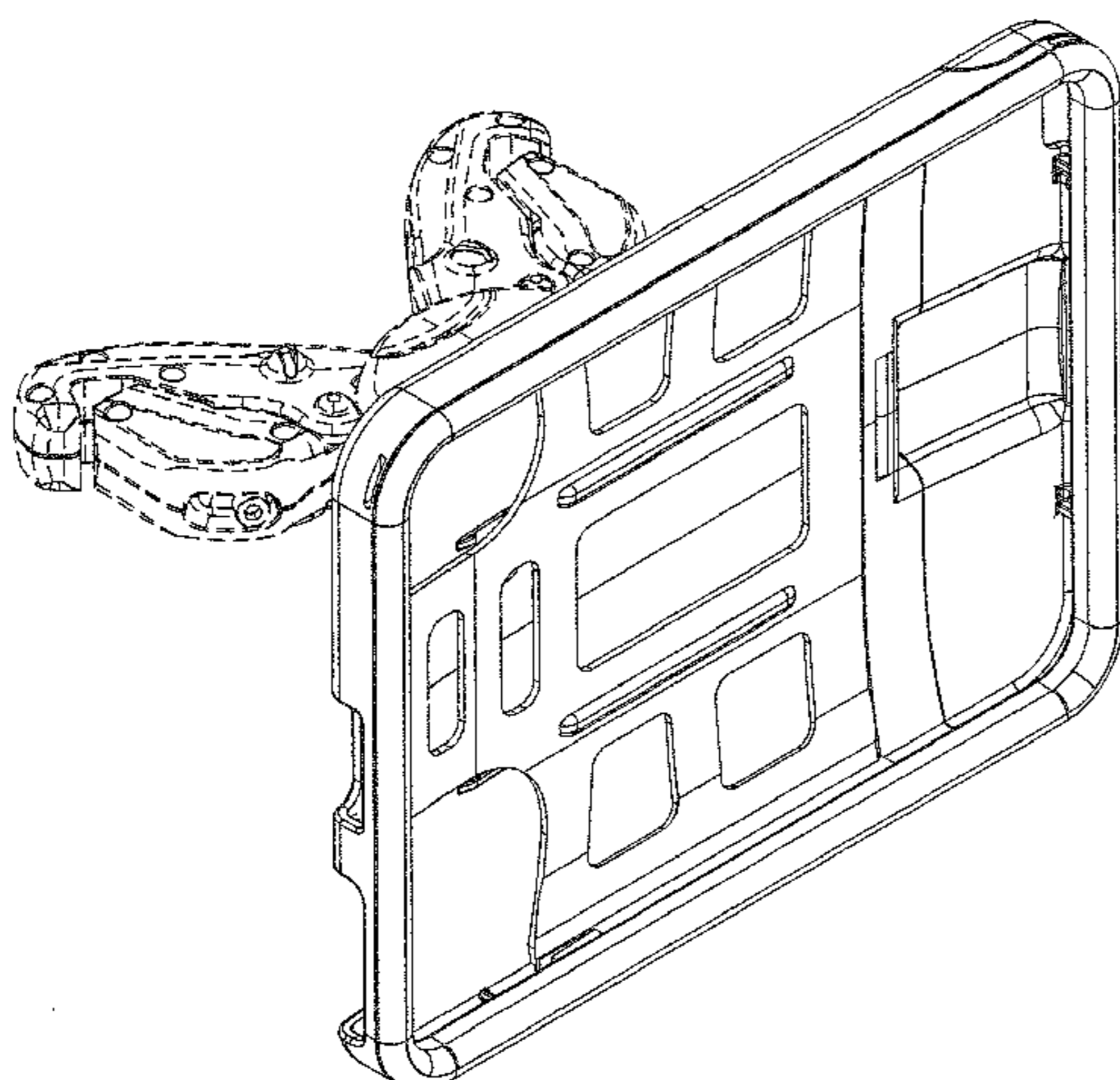
FIG. 4 is a rear view of the cradle for electronics device as shown in FIG. 1;

FIG. 5 is a right side view of the cradle for electronics device as shown in FIG. 1; and,

FIG. 6 is a left side view of the cradle for electronics device as shown in FIG. 1 shown from the opposite side as that shown in FIG. 5.

The broken lines shown in the figures are for illustrative purposes only and form no part of the claimed design.

**1 Claim, 4 Drawing Sheets**



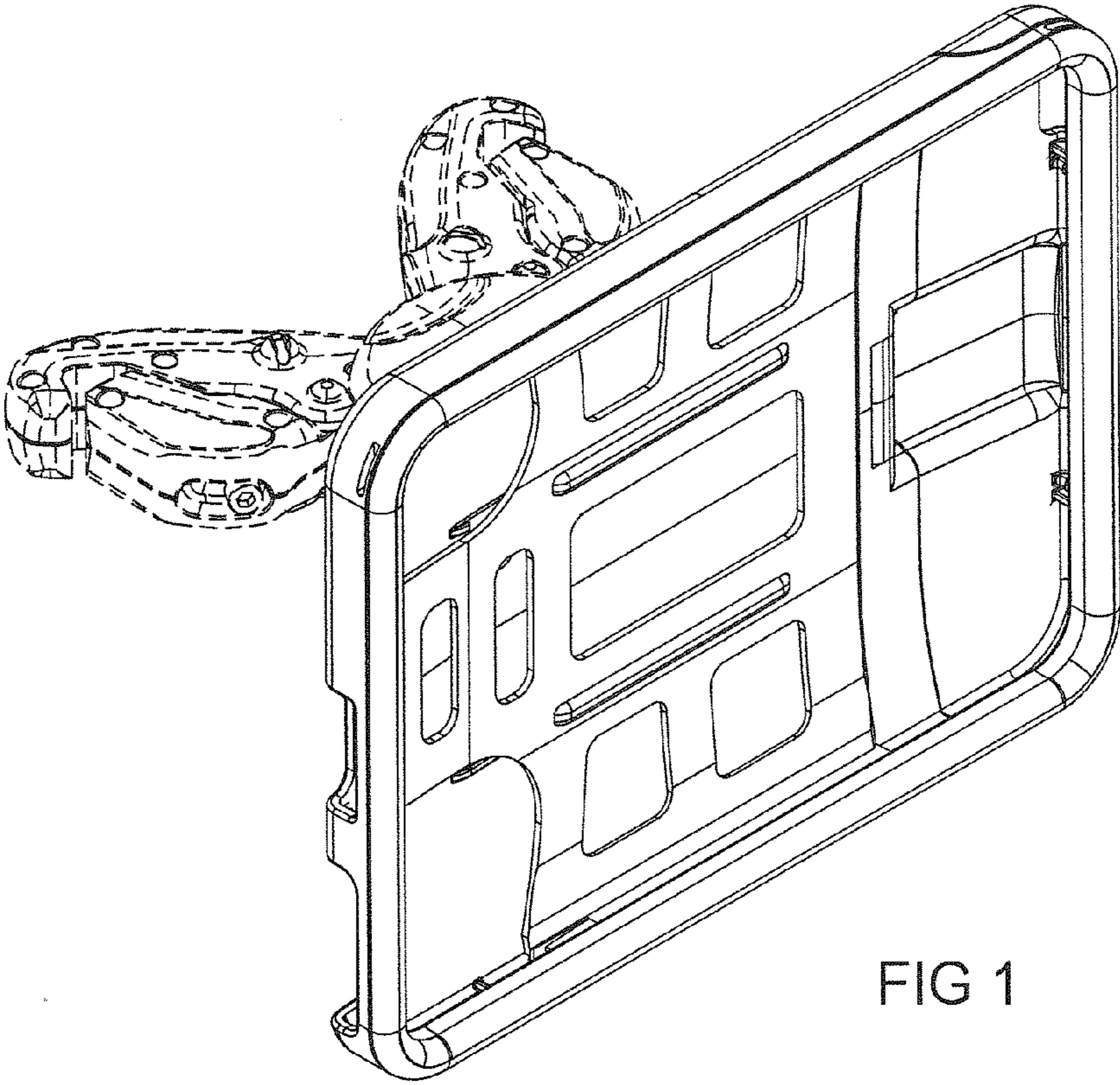


FIG 1

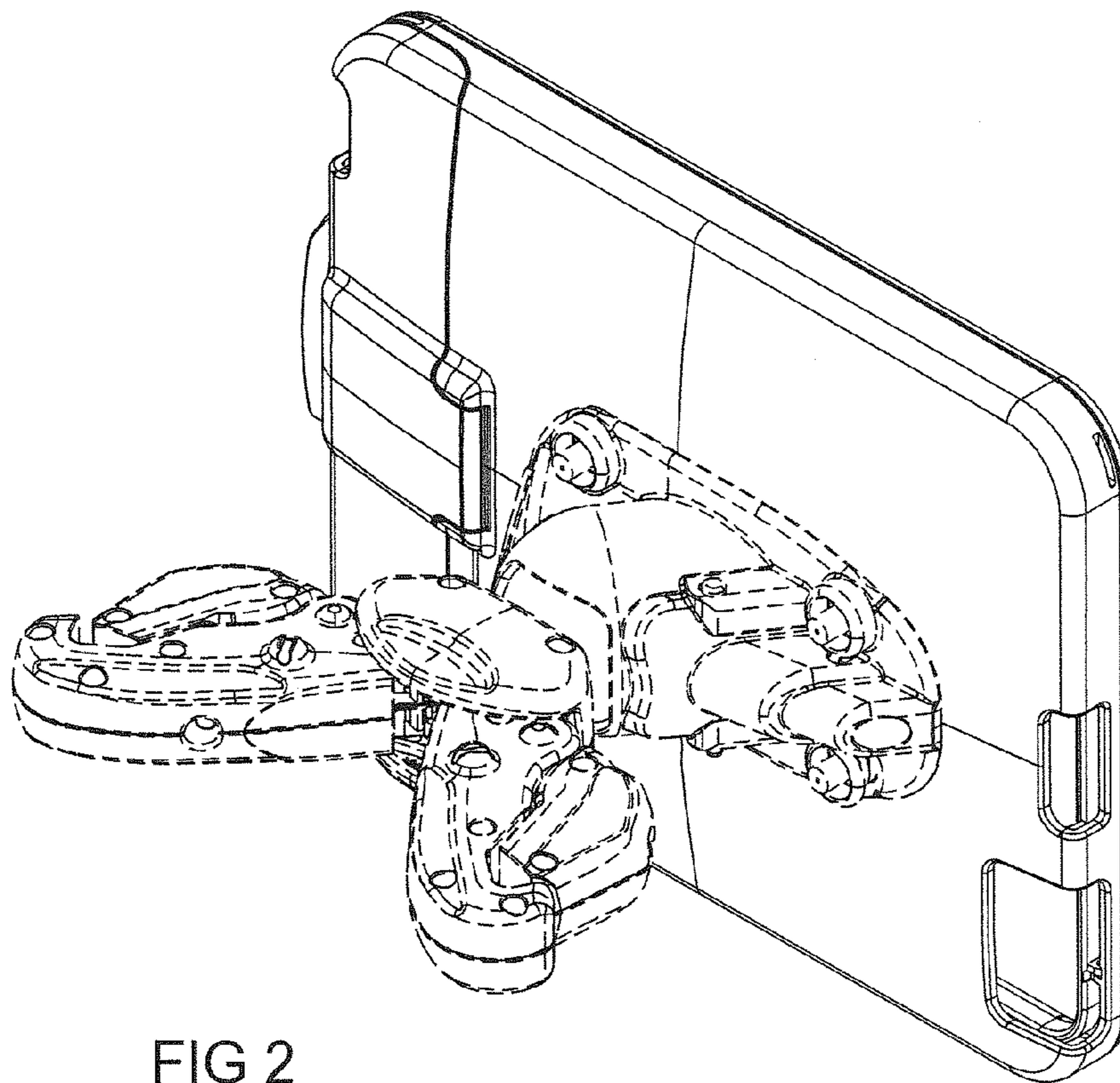


FIG 2



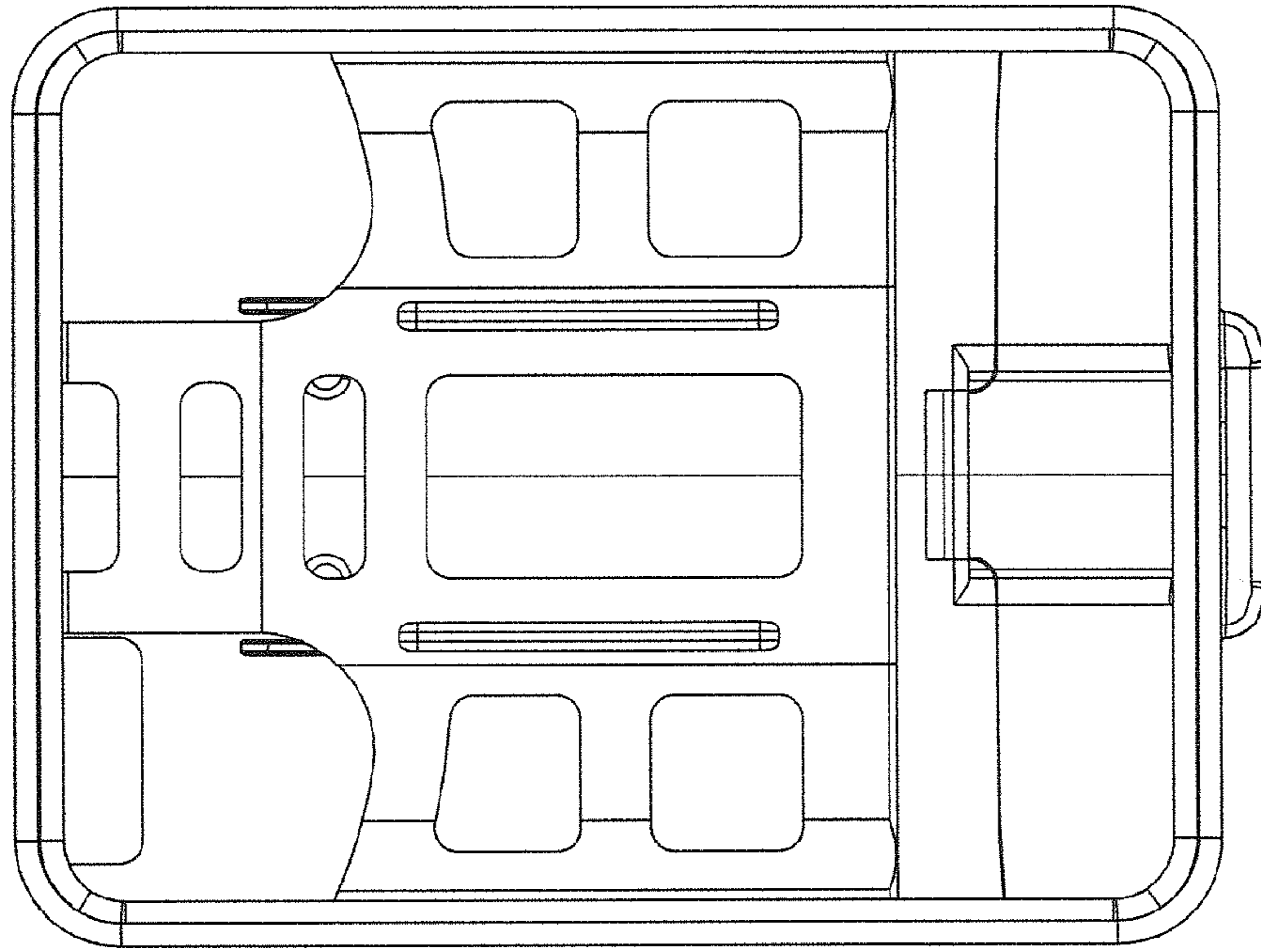


FIG 3

FIG 4

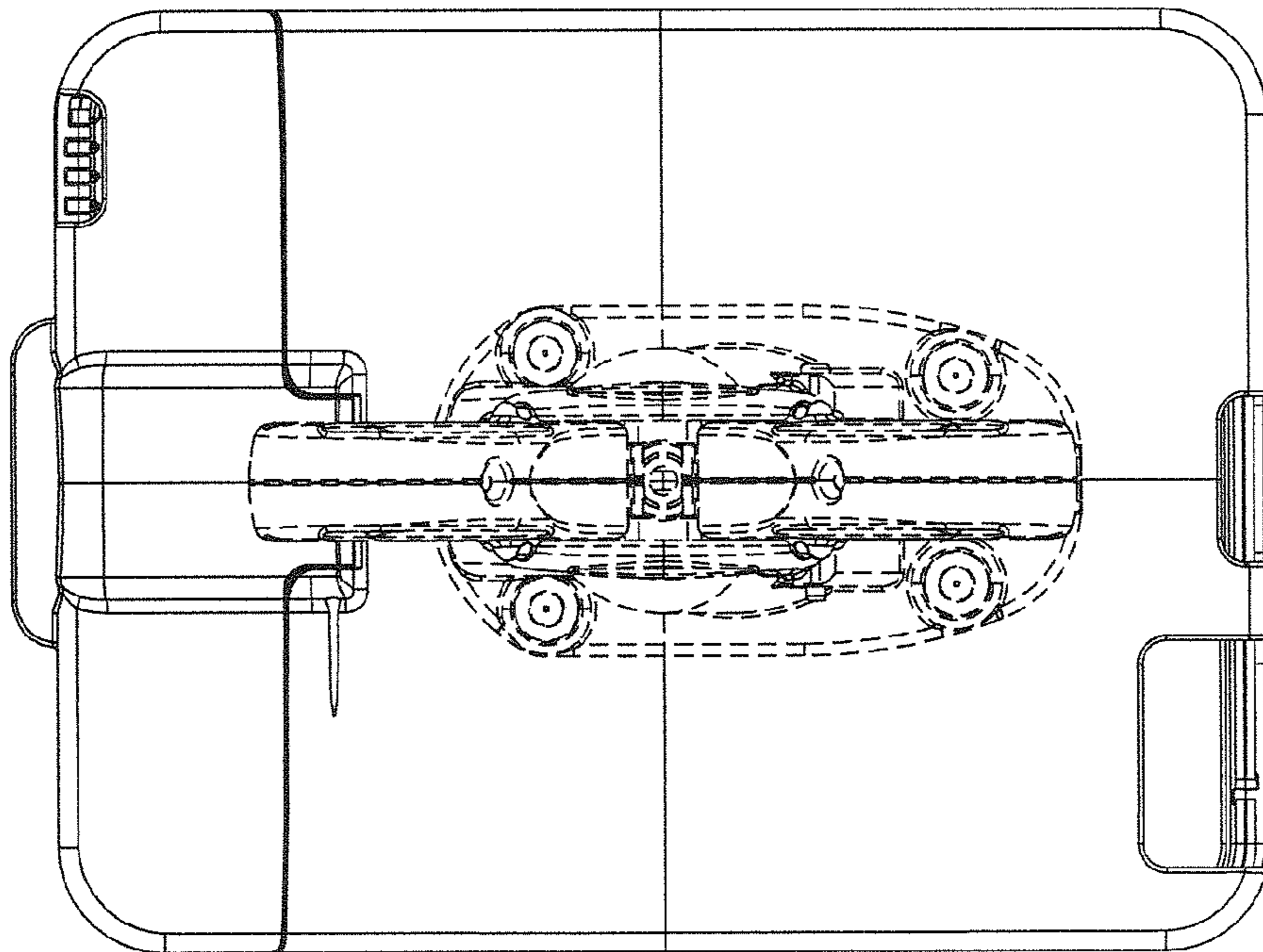


FIG 5

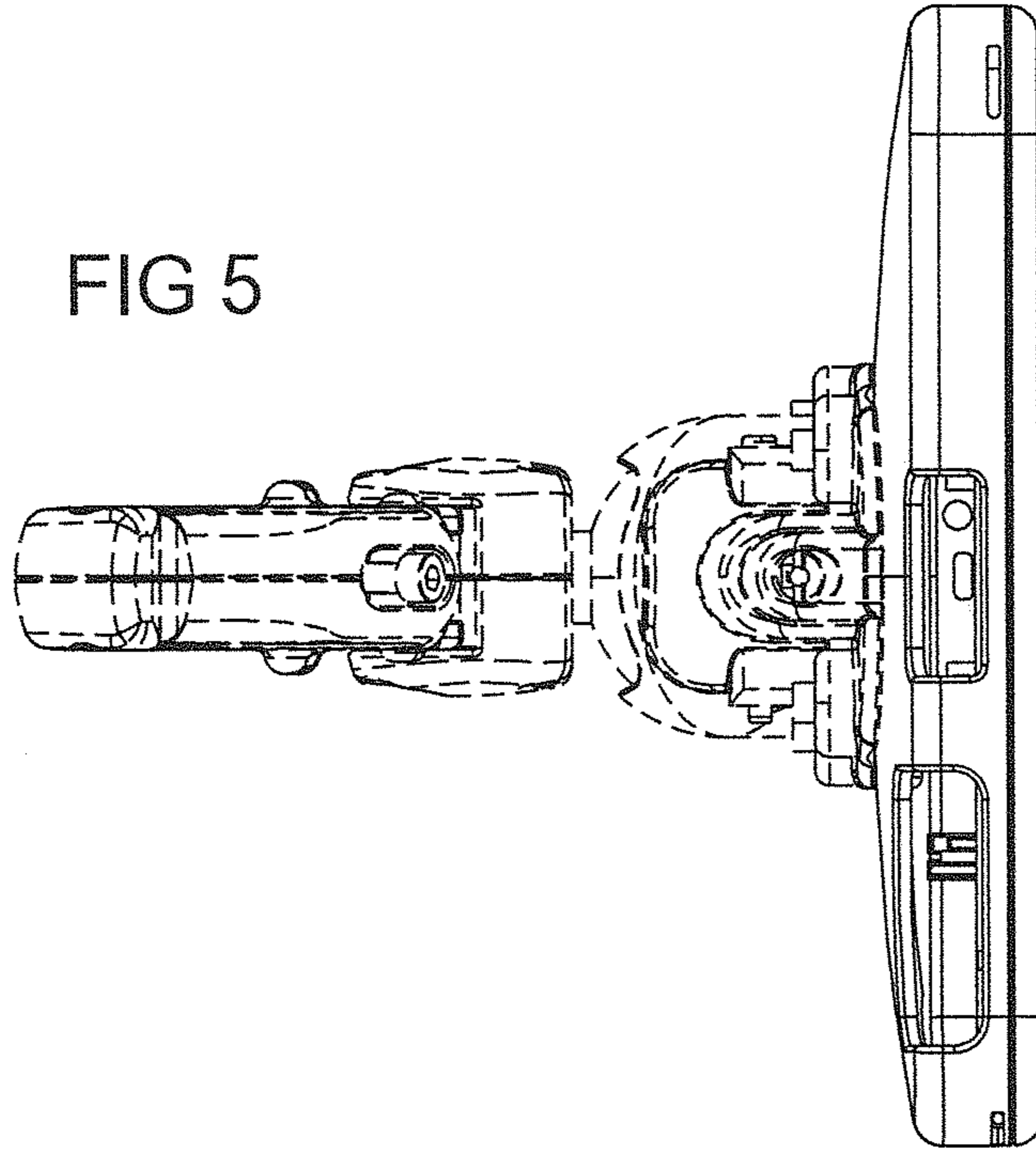


FIG 6

