



US00D686215S

(12) **United States Design Patent**
Andre et al.

(10) **Patent No.:** **US D686,215 S**
(45) **Date of Patent:** **** Jul. 16, 2013**

(54) **ELECTRONIC DEVICE**

(75) Inventors: **Bartley K. Andre**, Menlo Park, CA (US); **John M. Brock**, San Francisco, CA (US); **Matthew Phillip Casebolt**, Fremont, CA (US); **Brett William Degner**, Menlo Park, CA (US); **Ron Alan Hopkinson**, Campbell, CA (US); **Eugene Kim**, San Francisco, CA (US); **Chris Ligtenberg**, San Carlos, CA (US); **John Raff**, Melon Park, CA (US); **David Yeh**, Redwood City, CA (US)

(73) Assignee: **Apple Inc.**, Cupertino, CA (US)

(**) Term: **14 Years**

(21) Appl. No.: **29/406,062**

(22) Filed: **Nov. 9, 2011**

Related U.S. Application Data

(62) Division of application No. 29/388,769, filed on Apr. 1, 2011, now Pat. No. Des. 652,041, which is a division of application No. 29/379,432, filed on Nov. 19, 2010, now Pat. No. Des. 637,193.

(51) **LOC (9) Cl.** **14-02**

(52) **U.S. Cl.**
USPC **D14/436**

(58) **Field of Classification Search**
USPC D14/411, 433, 435.1, 436, 480.1-480.7, D14/484.1, 137, 155, 203.1-203.8, 240; 710/300, 301; 439/131, 135-147
See application file for complete search history.

(56) **References Cited**

U.S. PATENT DOCUMENTS

D270,055 S 8/1983 Irwin et al.
D300,923 S 5/1989 Collins et al.
5,061,845 A * 10/1991 Pinnavaia 235/492

D346,581 S 5/1994 Tattari
5,636,105 A * 6/1997 Inomata et al. 361/777
6,038,132 A * 3/2000 Tokunaga et al. 361/760
6,122,695 A 9/2000 Cronin
D434,418 S * 11/2000 Shinada D14/436
6,253,266 B1 6/2001 Ohanian
D448,425 S 9/2001 Hanazawa et al.
D458,935 S * 6/2002 Hiroki D14/436
6,437,980 B1 8/2002 Casebolt
6,542,358 B1 4/2003 Kunz et al.
D474,773 S * 5/2003 Kondo D14/435

(Continued)

OTHER PUBLICATIONS

Gear Live | Home: Sony's Smallest USB Drive Yet, [online] posted on Jul. 6, 2006 [retrieved on Dec. 13, 2006]. Retrieved from the Internet <URL: <http://www.gearlive.com/index.php/news/category/USB/P20/>>.

(Continued)

Primary Examiner — Karen E Kearney

(74) *Attorney, Agent, or Firm* — SAIDMAN DesignLaw Group

(57) **CLAIM**

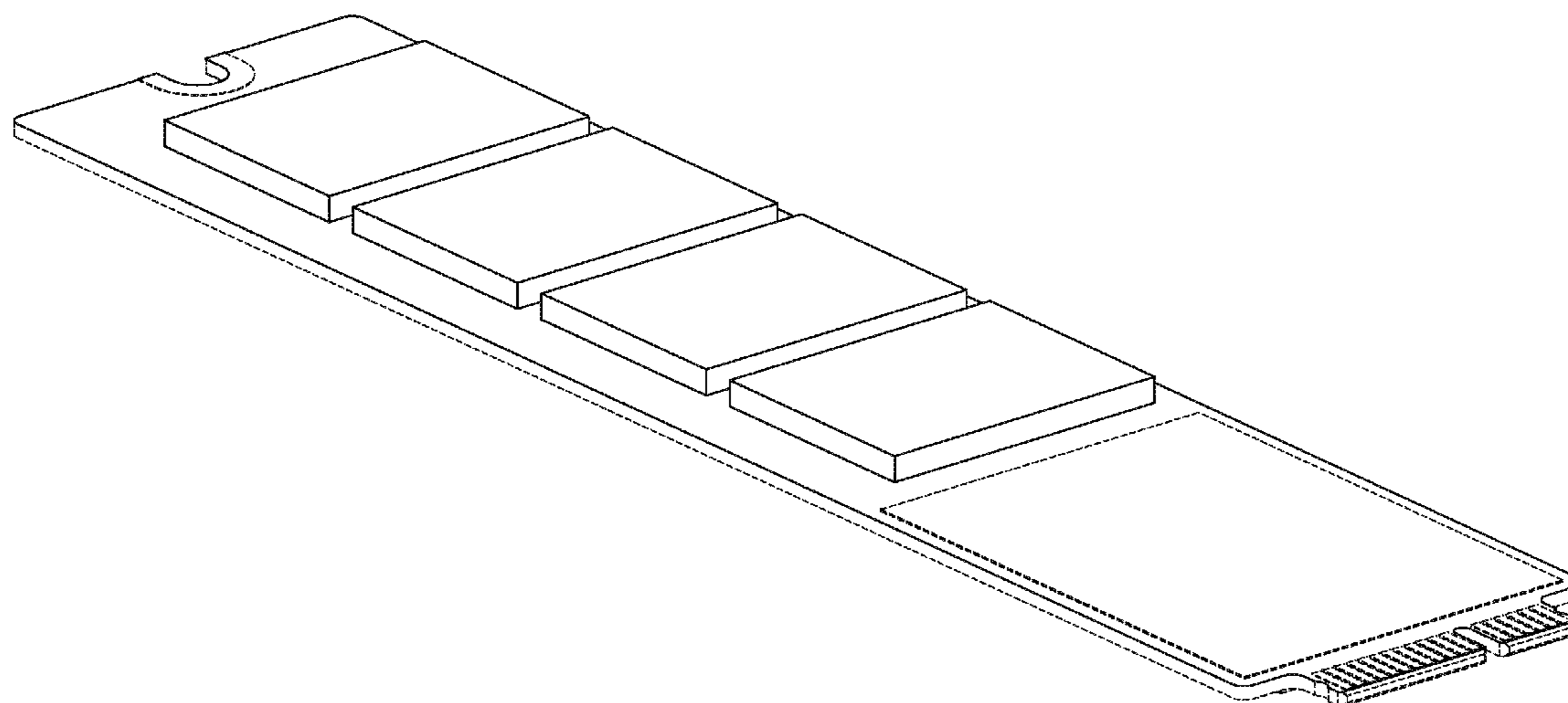
The ornamental design for an electronic device, as shown and described.

DESCRIPTION

FIG. 1 is a top, front, left perspective view of an electronic device showing our new design;
FIG. 2 is a top view thereof;
FIG. 3 is a bottom view thereof;
FIG. 4 is right side view thereof;
FIG. 5 is a left side view thereof;
FIG. 6 is a rear view thereof; and,
FIG. 7 is a front view thereof.

The broken lines are for the purpose of illustrating portions of the electronic device and form no part of the claimed design.

1 Claim, 5 Drawing Sheets



US D686,215 S

Page 2

U.S. PATENT DOCUMENTS

| | | | | |
|--------------|------|---------|------------------------|---------|
| 6,573,593 | B1 * | 6/2003 | Syri et al. | 257/690 |
| 6,599,140 | B1 * | 7/2003 | Chen et al. | 439/135 |
| D482,691 | S * | 11/2003 | McClelland et al. | D14/432 |
| 6,854,984 | B1 | 2/2005 | Lee et al. | |
| 6,873,261 | B2 | 3/2005 | Anthony et al. | |
| 7,004,794 | B2 | 2/2006 | Wang et al. | |
| D520,015 | S * | 5/2006 | Peddle | D14/435 |
| 7,044,802 | B2 | 5/2006 | Chiou et al. | |
| 7,052,287 | B1 | 5/2006 | Ni et al. | |
| 7,074,052 | B1 | 7/2006 | Ni et al. | |
| D530,708 | S * | 10/2006 | Maruyama | D14/240 |
| 7,119,436 | B2 * | 10/2006 | Lien | 257/723 |
| 7,249,978 | B1 | 7/2007 | Ni | |
| D548,740 | S | 8/2007 | Takiar et al. | |
| 7,252,518 | B1 | 8/2007 | Ni | |
| 7,259,967 | B2 | 8/2007 | Ni | |
| D556,687 | S * | 12/2007 | Miyamoto et al. | D13/119 |
| 7,329,129 | B2 * | 2/2008 | Soeta | 439/66 |
| 7,364,445 | B1 | 4/2008 | Ni et al. | |
| 7,440,286 | B2 | 10/2008 | Hiew et al. | |
| D580,867 | S * | 11/2008 | Duby et al. | D13/147 |
| 7,577,789 | B2 | 8/2009 | Perego et al. | |
| 7,610,447 | B2 * | 10/2009 | Perego et al. | 711/115 |
| D607,886 | S | 1/2010 | Bolotin et al. | |
| 7,644,867 | B2 | 1/2010 | Lin et al. | |
| 7,690,104 | B2 | 4/2010 | Rosenblatt et al. | |
| 7,762,818 | B2 | 7/2010 | Hoang | |
| 7,768,785 | B2 * | 8/2010 | Ni et al. | 361/715 |
| 7,836,237 | B2 | 11/2010 | Lien et al. | |
| D631,058 | S | 1/2011 | Chin et al. | |
| D637,192 | S | 5/2011 | Andre et al. | |
| D637,193 | S | 5/2011 | Andre et al. | |
| 8,076,622 | B1 * | 12/2011 | Paulsen et al. | 244/3.1 |
| D652,041 | S * | 1/2012 | Andre et al. | D14/436 |
| D655,296 | S * | 3/2012 | Andre et al. | D14/436 |
| 8,310,836 | B2 * | 11/2012 | Schuetz | 361/760 |
| 2002/0056018 | A1 | 5/2002 | Schumacher et al. | |
| 2004/0026516 | A1 | 2/2004 | Liu et al. | |
| 2004/0161953 | A1 * | 8/2004 | MacLaren et al. | 439/65 |
| 2005/0083648 | A1 * | 4/2005 | Janzen et al. | 361/687 |
| 2005/0086413 | A1 * | 4/2005 | Lee et al. | 710/313 |
| 2006/0067054 | A1 | 3/2006 | Wang et al. | |

| | | | | |
|--------------|------|---------|------------------------|------------|
| 2007/0020964 | A1 * | 1/2007 | Tzu | 439/73 |
| 2008/0017408 | A1 * | 1/2008 | Morishita et al. | 174/260 |
| 2008/0038961 | A1 * | 2/2008 | Park et al. | 439/630 |
| 2008/0137278 | A1 * | 6/2008 | Chih | 361/684 |
| 2008/0178025 | A1 | 7/2008 | Hand et al. | |
| 2008/0195817 | A1 | 8/2008 | Hiew et al. | |
| 2008/0266816 | A1 | 10/2008 | Ni et al. | |
| 2008/0270994 | A1 | 10/2008 | Li et al. | |
| 2009/0037652 | A1 * | 2/2009 | Yu et al. | 711/103 |
| 2009/0086448 | A1 | 4/2009 | Hiew et al. | |
| 2009/0153163 | A1 | 6/2009 | Han et al. | |
| 2009/0207681 | A1 | 8/2009 | Juengling | |
| 2009/0257184 | A1 * | 10/2009 | Lee et al. | 361/679.32 |
| 2009/0316368 | A1 * | 12/2009 | Hiew et al. | 361/737 |
| 2010/0049914 | A1 * | 2/2010 | Goodwin | 711/114 |
| 2010/0062617 | A1 | 3/2010 | Bang et al. | |
| 2010/0128447 | A1 * | 5/2010 | MacDougall et al. | 361/737 |
| 2010/0265675 | A1 | 10/2010 | Aoki et al. | |
| 2011/0003179 | A1 * | 1/2011 | Jang | 429/7 |
| 2011/0019370 | A1 | 1/2011 | Koh | |
| 2011/0043994 | A1 | 2/2011 | Cheng et al. | |
| 2011/0103027 | A1 | 5/2011 | Aoki et al. | |

OTHER PUBLICATIONS

Samsung launches netbook SSD line, [online] posted on Jun. 23, 2009 [retrieved on Feb. 10, 2011]. Retrieved from the Internet <URL:<http://liliputing.com/2009/06/samsung-launches-netbook-ssd-line.html>>.

Toshiba rolls out Blade X-gale SSD modules, makes MacBook Air storage look a little less proprietary—Engadget, [online] posted on Nov. 8, 2010 [retrieved on Feb. 10, 2011]. Retrieved from the Internet <URL:<http://www.engadget.com/2010/11/08/toshiba-rolls-out-blade-x-gale-ssd-modules-makes-mackbook-air-st/>>.

X-Blade Toshiba gale Macbook Air SSD now available to all producers | Top Technology Reviews, [online], [retrieved on Feb. 3, 2011]. Retrieved from the Internet <URL: <http://top-technology-reviews.com/x-blade-toshiba-gale-macbook-air-ssd-now-available-to-all-producers/>>.

* cited by examiner

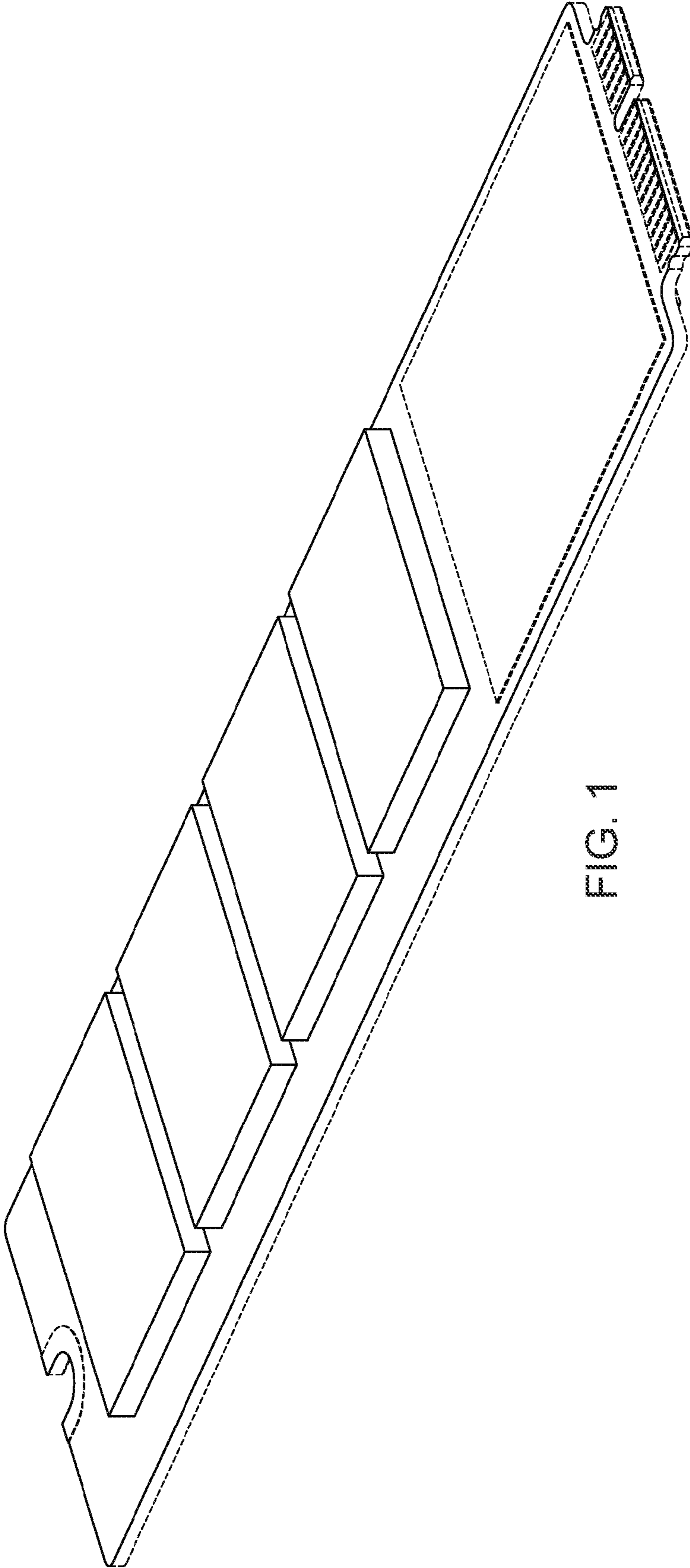


FIG. 1

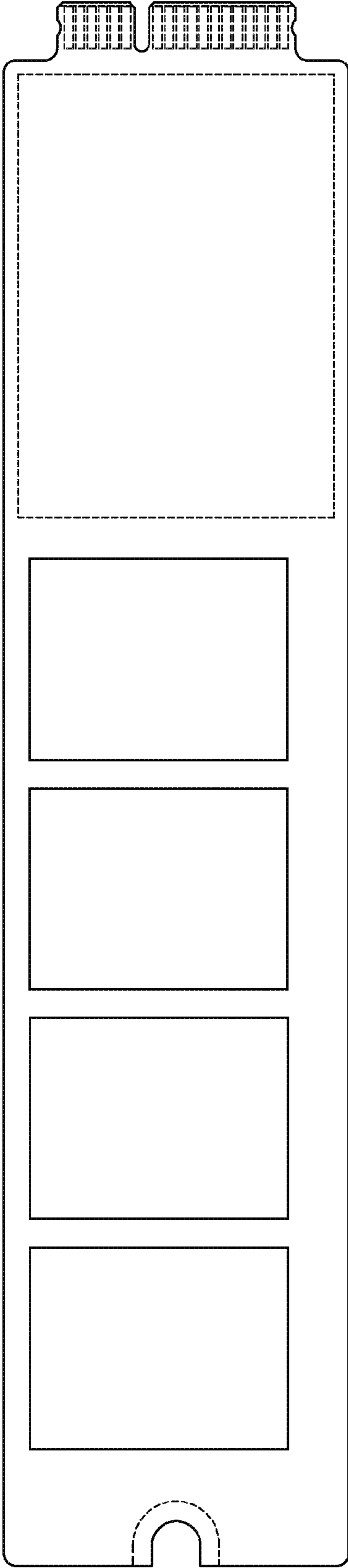


FIG. 2

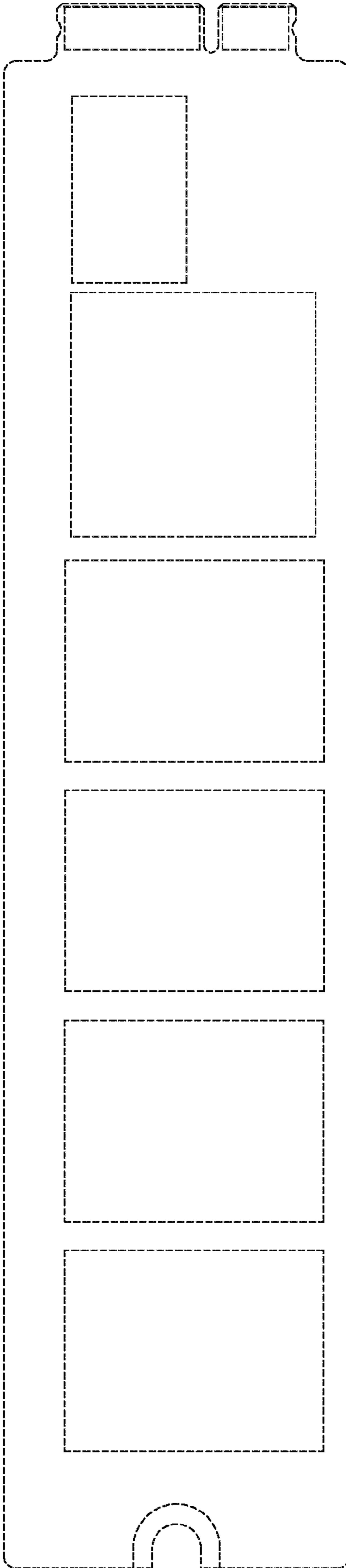


FIG. 3

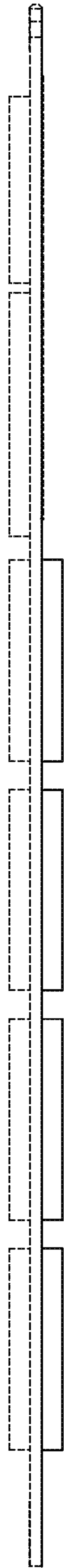


FIG. 4



FIG. 5

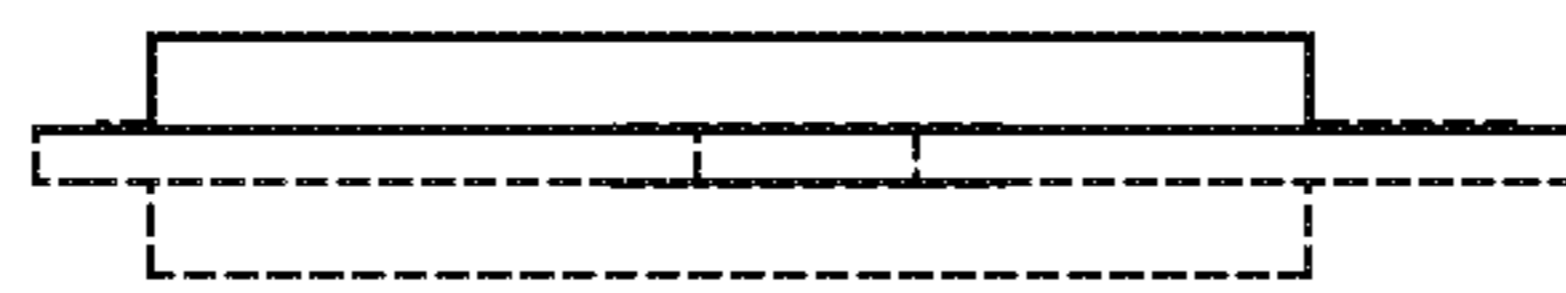


FIG. 6



FIG. 7