



US00D686208S

(12) **United States Design Patent**  
**Miller et al.**

(10) **Patent No.:** **US D686,208 S**  
(45) **Date of Patent:** **\*\* Jul. 16, 2013**

(54) **MODIFIED HOLE CARD READER**

(75) Inventors: **Arthur C. Miller**, Las Vegas, NV (US);  
**Dean A. Isaacs**, Las Vegas, NV (US)

(73) Assignee: **Tech Art, Inc.**, Las Vegas, NV (US)

(\*\*) Term: **14 Years**

(21) Appl. No.: **29/400,403**

(22) Filed: **Aug. 26, 2011**

(51) **LOC (9) Cl.** ..... **14-02**

(52) **U.S. Cl.**  
USPC ..... **D14/385**

(58) **Field of Classification Search**  
USPC ..... D14/356-358, 383-385, 420, 426,  
D14/427, 432-439, 447, 453, 454, 217, 253,  
D14/299; D13/107, 108, 133, 146, 147, 152,  
D13/154, 156, 158, 162, 162.1, 168, 173,  
D13/177, 102; 235/441, 451, 492, 380, 439,  
235/375; 361/679.31, 600, 679.01, 679.02

See application file for complete search history.

(56) **References Cited**

U.S. PATENT DOCUMENTS

233,829 A	11/1880	Adt
1,356,398 A	10/1920	Owens
1,590,463 A	6/1926	Wood
1,919,922 A	7/1933	Baker, Jr. et al.
2,046,595 A	7/1936	Yerkes
3,034,512 A	5/1962	Hunter
3,165,319 A	1/1965	Benima
3,222,071 A	12/1965	Lang
3,312,473 A	4/1967	Friedman et al.
3,489,907 A	1/1970	Kenez
3,529,829 A	9/1970	Seifert
3,658,342 A	4/1972	Borea
3,690,670 A	9/1972	Cassady et al.
3,716,238 A	2/1973	Porter
3,731,936 A	5/1973	Copeland

3,742,616 A	7/1973	Heller
3,743,294 A	7/1973	Forster
3,751,041 A	8/1973	Seifert
3,779,554 A	12/1973	Brix
3,814,436 A	6/1974	Boren
3,858,797 A	1/1975	Takeuchi
3,929,339 A	12/1975	Mattioli
4,026,309 A	5/1977	Howard
4,146,229 A	3/1979	Morse

(Continued)

FOREIGN PATENT DOCUMENTS

DE	1039429	9/1958
DE	3807127 A1	9/1989

(Continued)

*Primary Examiner* — Austin Murphy

(74) *Attorney, Agent, or Firm* — Kevin P. Crosby;  
GrayRobinson, P.A.

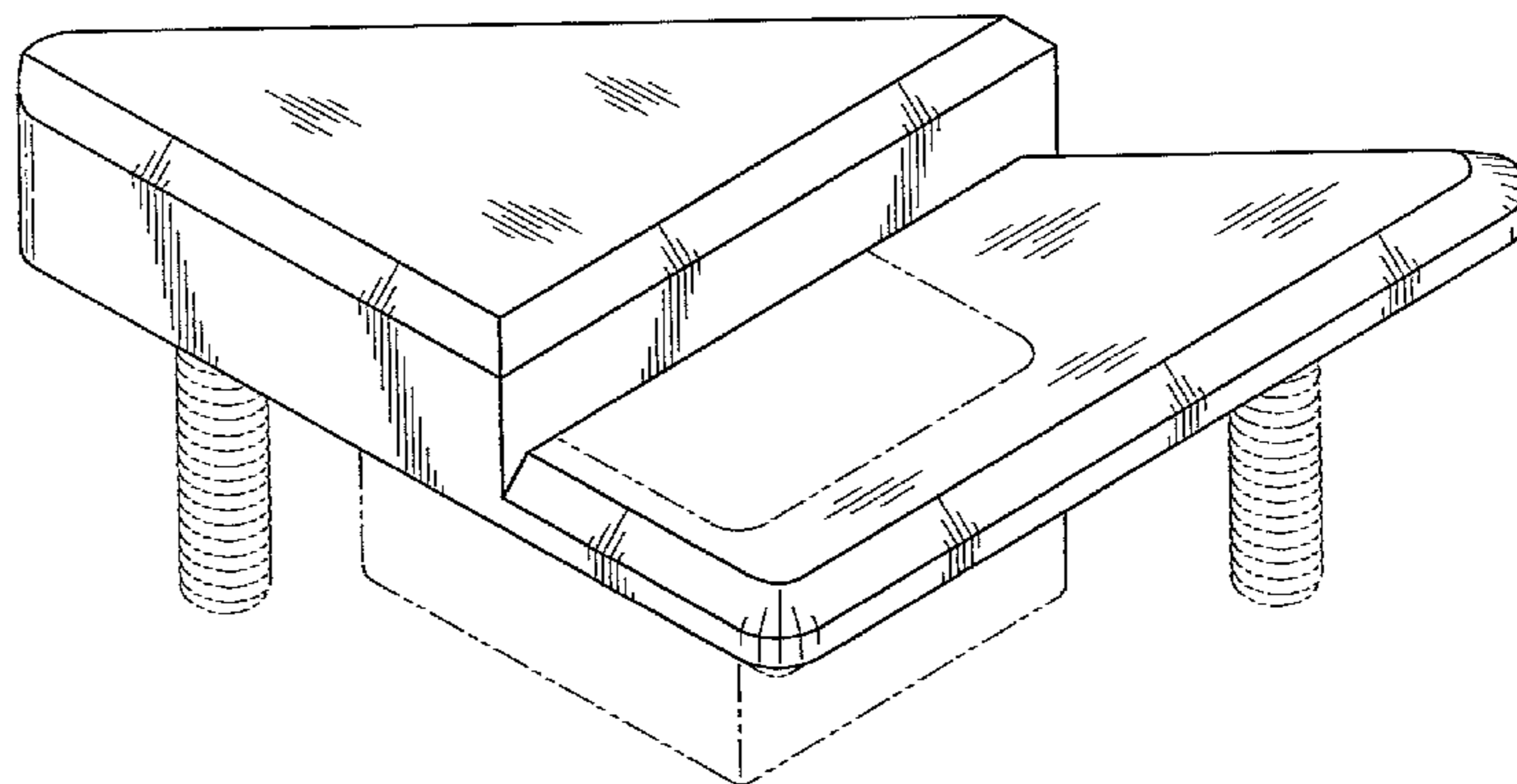
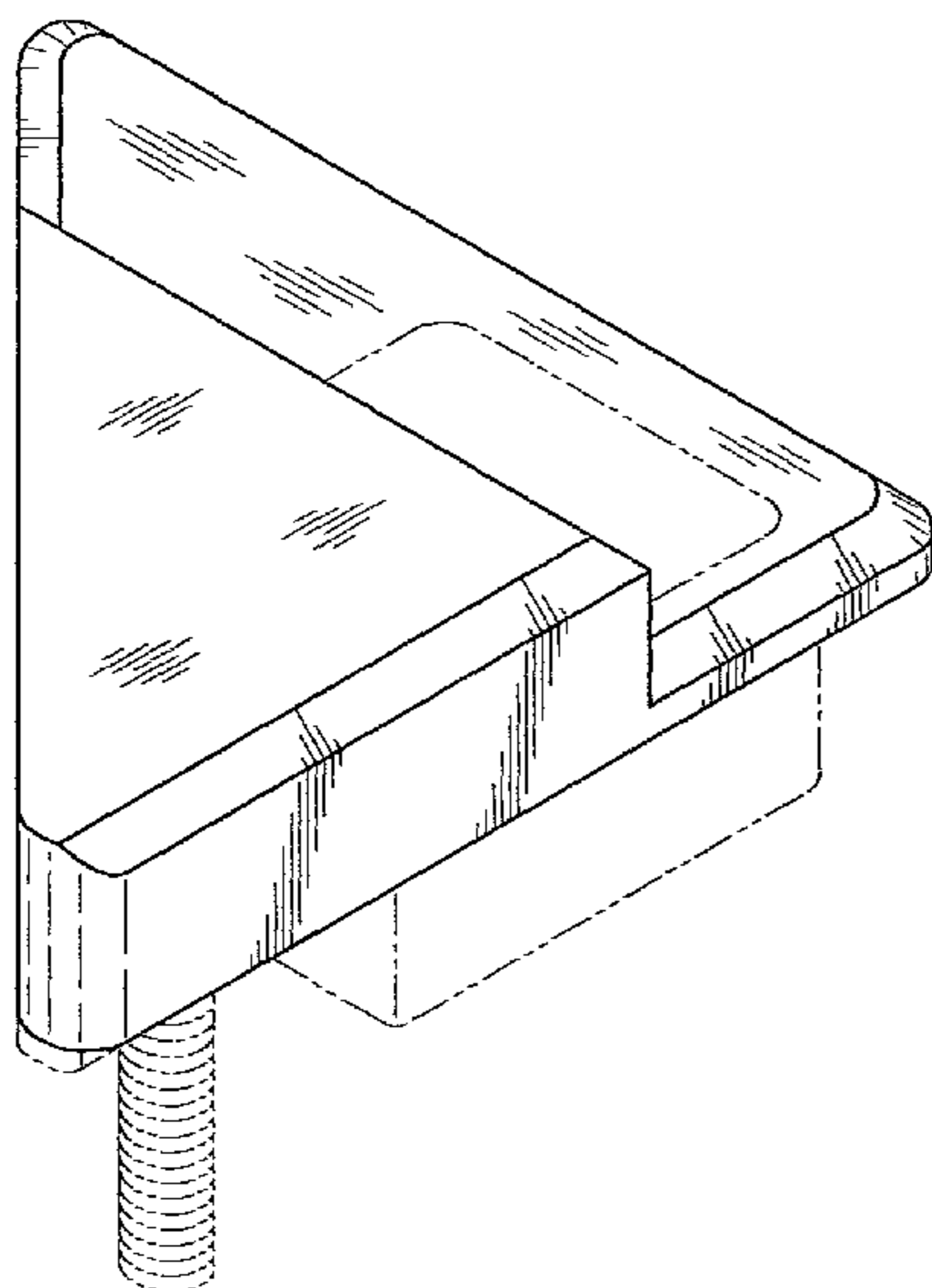
(57) **CLAIM**

The ornamental design for modified hole card reader, as shown and described.

**DESCRIPTION**

FIG. 1. is a front perspective view of the design.  
FIG. 2. is a top plan view of the design.  
FIG. 3. is a right side elevational view of the design.  
FIG. 4. is a front elevational view thereof.  
FIG. 5. is a bottom plan view thereof.  
FIG. 6. is a rear elevational view thereof.  
FIG. 7. is a left side elevational view thereof.  
FIG. 8. is a right front perspective view thereof.  
FIG. 9. is a left front perspective view thereof; and,  
FIG. 10. is a right rear perspective view thereof.  
The broken lines shown in the drawings represent portions of the modified hole card reader that form no part of the claimed design.

**1 Claim, 10 Drawing Sheets**



# US D686,208 S

## U.S. PATENT DOCUMENTS

4,314,700	A	2/1982	Dylag	
4,531,187	A	7/1985	Uhland	
4,534,562	A	8/1985	Cuff et al.	
4,667,959	A	5/1987	Pfeiffer et al.	
4,814,589	A	3/1989	Storch et al.	
4,822,050	A	4/1989	Normand et al.	
D317,951	S	7/1991	Miller	
5,039,102	A	8/1991	Miller	
5,067,713	A	11/1991	Soules et al.	
5,110,134	A	5/1992	Laughlin et al.	
5,219,172	A	6/1993	Laughlin et al.	
5,224,712	A	7/1993	Laughlin et al.	
5,283,422	A	2/1994	Storch et al.	
5,312,104	A	5/1994	Miller	
5,362,053	A	11/1994	Miller	
5,364,106	A	11/1994	Laughlin et al.	
5,374,061	A	12/1994	Albrecht	
5,451,054	A	9/1995	Orenstein	
5,531,331	A	7/1996	Barnett	
5,651,548	A	7/1997	French et al.	
5,669,816	A	9/1997	Garczynski et al.	
5,681,039	A	10/1997	Miller	
5,722,893	A	3/1998	Hill et al.	
5,757,876	A	5/1998	Dam et al.	
5,779,546	A	7/1998	Meissner et al.	
5,781,647	A	7/1998	Fishbine et al.	
5,809,482	A	9/1998	Strisower	
5,933,244	A	8/1999	Kiritchenko	
5,941,769	A	8/1999	Order	
D415,131	S *	10/1999	Chang	D14/433
5,961,121	A	10/1999	Brown	
6,039,650	A	3/2000	Hill	
6,126,166	A	10/2000	Lorson et al.	
6,254,484	B1	7/2001	McCrea, Jr.	
6,267,671	B1	7/2001	Hogan	
D447,482	S *	9/2001	Lin	D14/435.1
6,299,536	B1	10/2001	Hill	
6,313,871	B1	11/2001	Schubert	
6,346,044	B1	2/2002	McCrea, Jr.	
6,431,984	B2	8/2002	Coyer et al.	
6,460,848	B1	10/2002	Soltys et al.	
D467,921	S *	12/2002	Lin	D14/385
6,514,140	B1	2/2003	Storch	
6,517,435	B2	2/2003	Soltys et al.	
6,517,436	B2	2/2003	Soltys et al.	
6,520,857	B2	2/2003	Soltys et al.	
6,527,271	B2	3/2003	Soltys et al.	
6,530,836	B2	3/2003	Soltys et al.	

6,532,297	B1	3/2003	Lindquist	
6,533,276	B2	3/2003	Soltys et al.	
6,567,159	B1	5/2003	Corech	
6,579,180	B2	6/2003	Soltys et al.	
6,595,857	B2	7/2003	Soltys et al.	
6,609,710	B1	8/2003	Order	
6,619,662	B2	9/2003	Miller	
6,626,750	B2	9/2003	Momemy	
6,629,889	B2	10/2003	Mothwurf	
6,638,161	B2	10/2003	Soltys et al.	
6,652,379	B2	11/2003	Soltys et al.	
6,663,490	B2	12/2003	Soltys et al.	
6,685,568	B2	2/2004	Soltys et al.	
6,688,979	B2	2/2004	Soltys et al.	
6,712,696	B2	3/2004	Soltys et al.	
D491,939	S *	6/2004	Lin et al.	D14/480.1
6,758,751	B2	7/2004	Soltys et al.	
6,845,905	B2	1/2005	Blad et al.	
6,848,994	B1	2/2005	Knust et al.	
6,857,961	B2	2/2005	Soltys et al.	
6,964,612	B2	11/2005	Soltys et al.	
7,011,309	B2	3/2006	Soltys et al.	
D535,295	S *	1/2007	Leibenguth	D14/385
7,316,615	B2	1/2008	Soltys et al.	
D646,273	S *	10/2011	Daniel	D14/385
D675,618	S *	2/2013	Behar et al.	D14/385
2002/0086727	A1	7/2002	Soltys et al.	
2003/0220136	A1	11/2003	Soltys et al.	
2004/0219975	A1	11/2004	Soltys et al.	
2005/0239542	A1	10/2005	Olsen	
2005/0258597	A1	11/2005	Soltys et al.	
2005/0282623	A1	12/2005	Matsuno et al.	
2006/0019739	A1	1/2006	Soltys et al.	
2006/0063577	A1	3/2006	Downs, III et al.	
2006/0199649	A1	9/2006	Soltys et al.	

## FOREIGN PATENT DOCUMENTS

EP	0310516	A1	4/1989
FR	1356398		2/1964
FR	2109213		5/1972
FR	2186839		1/1974
FR	2427107		12/1979
FR	2576518		8/1986
GB	2061490	A	5/1981
WO	9942186	A1	8/1999
WO	0120489	A1	3/2001

\* cited by examiner

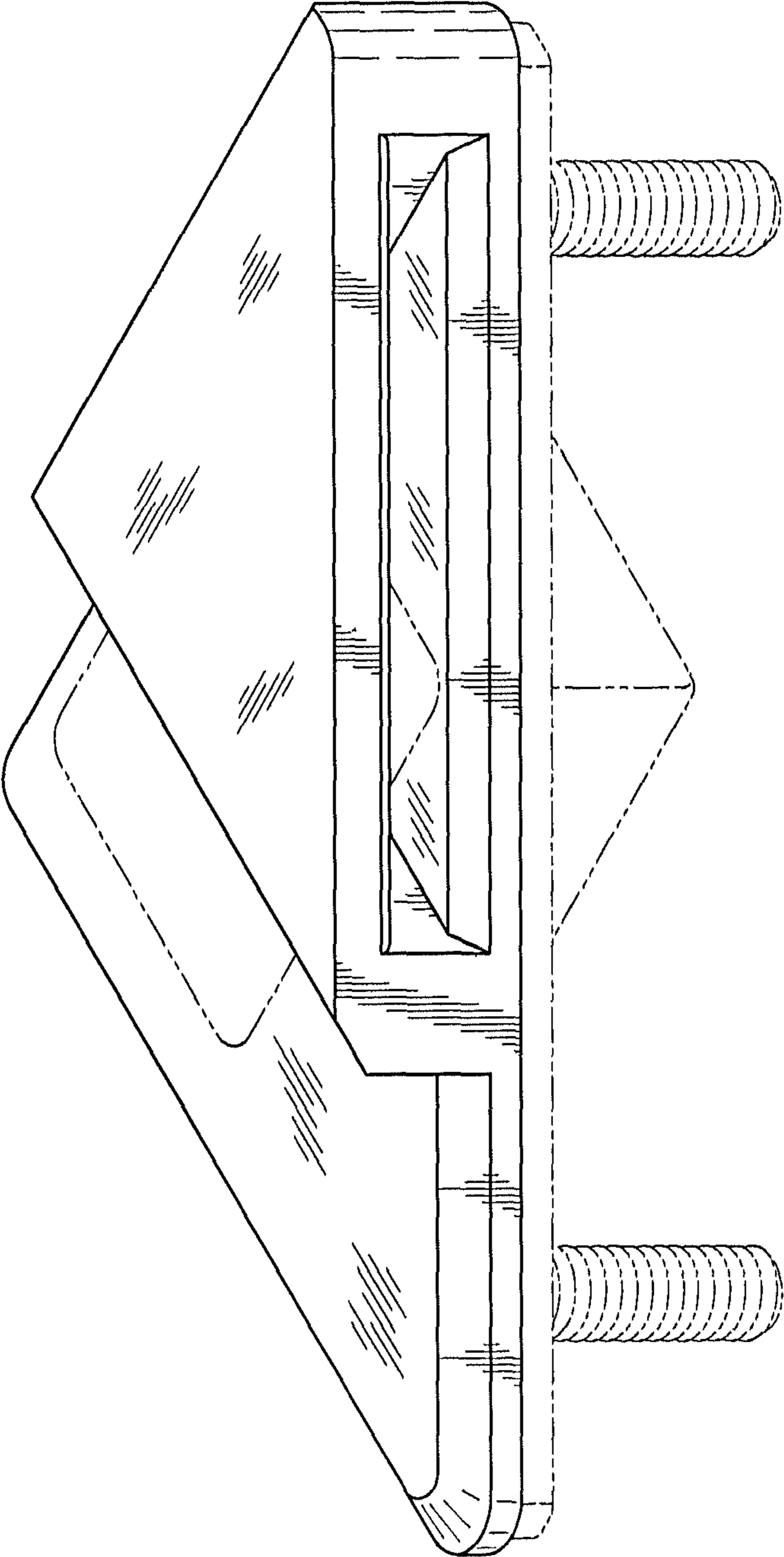


FIG. 1

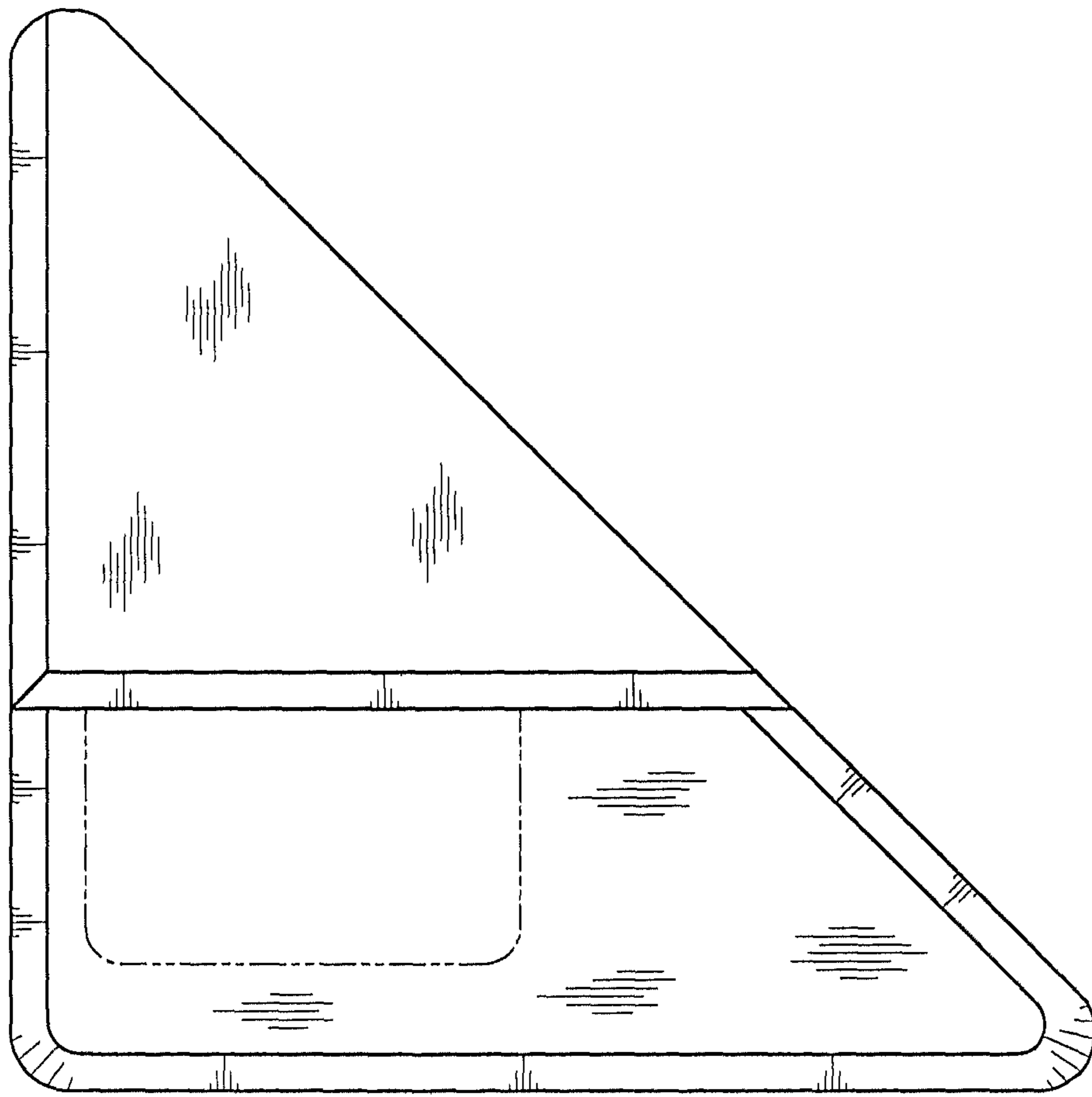


FIG. 2

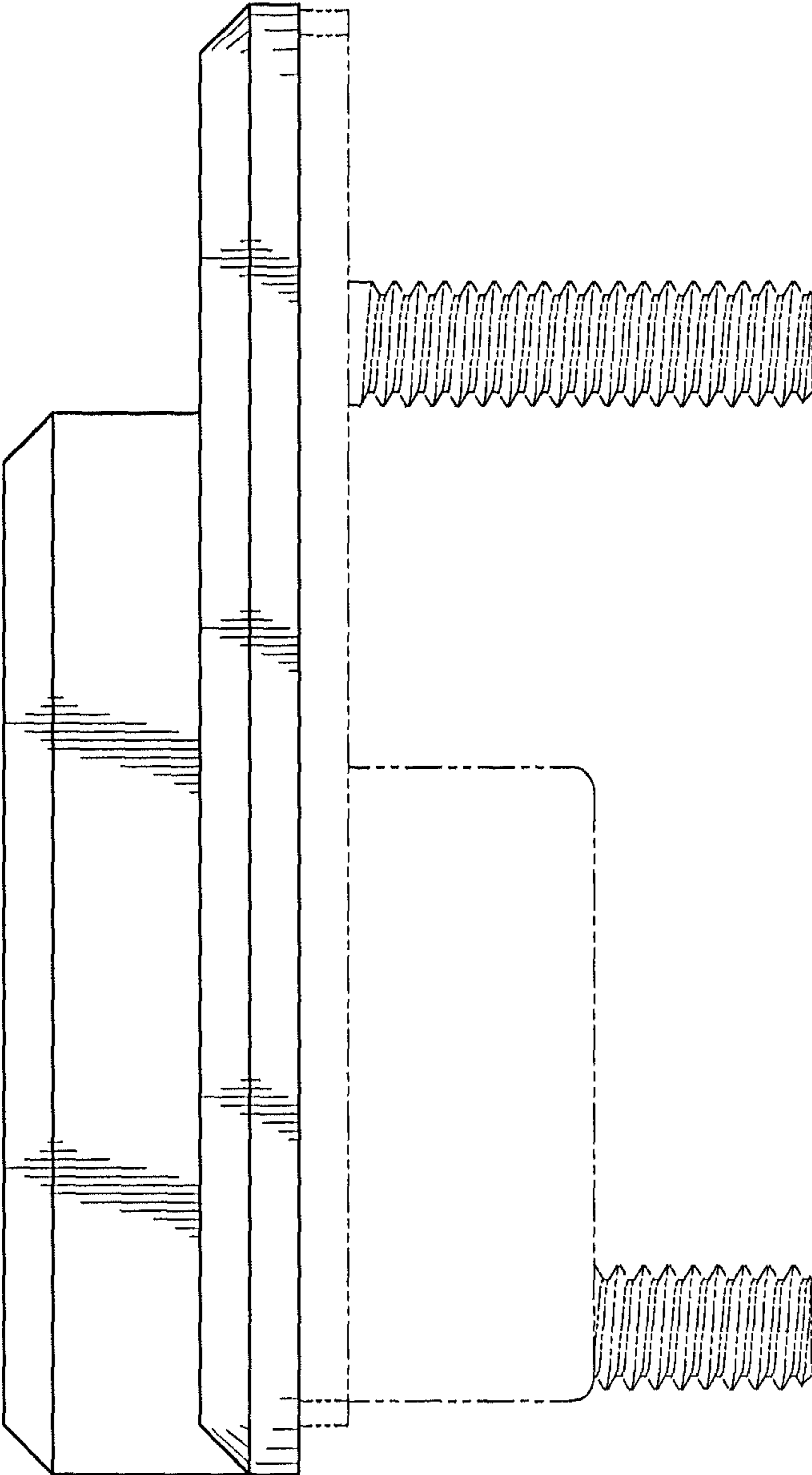


FIG. 3

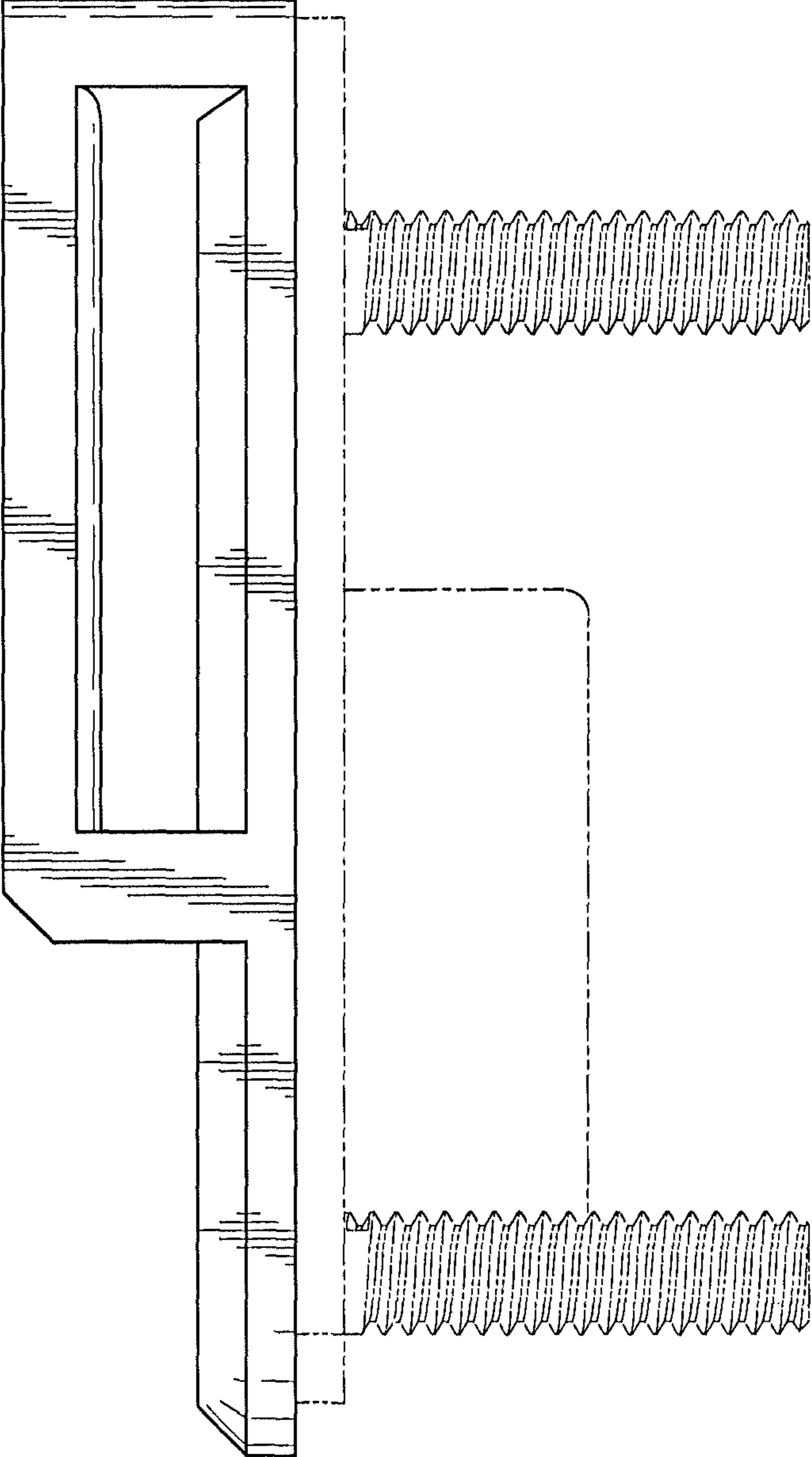


FIG. 4

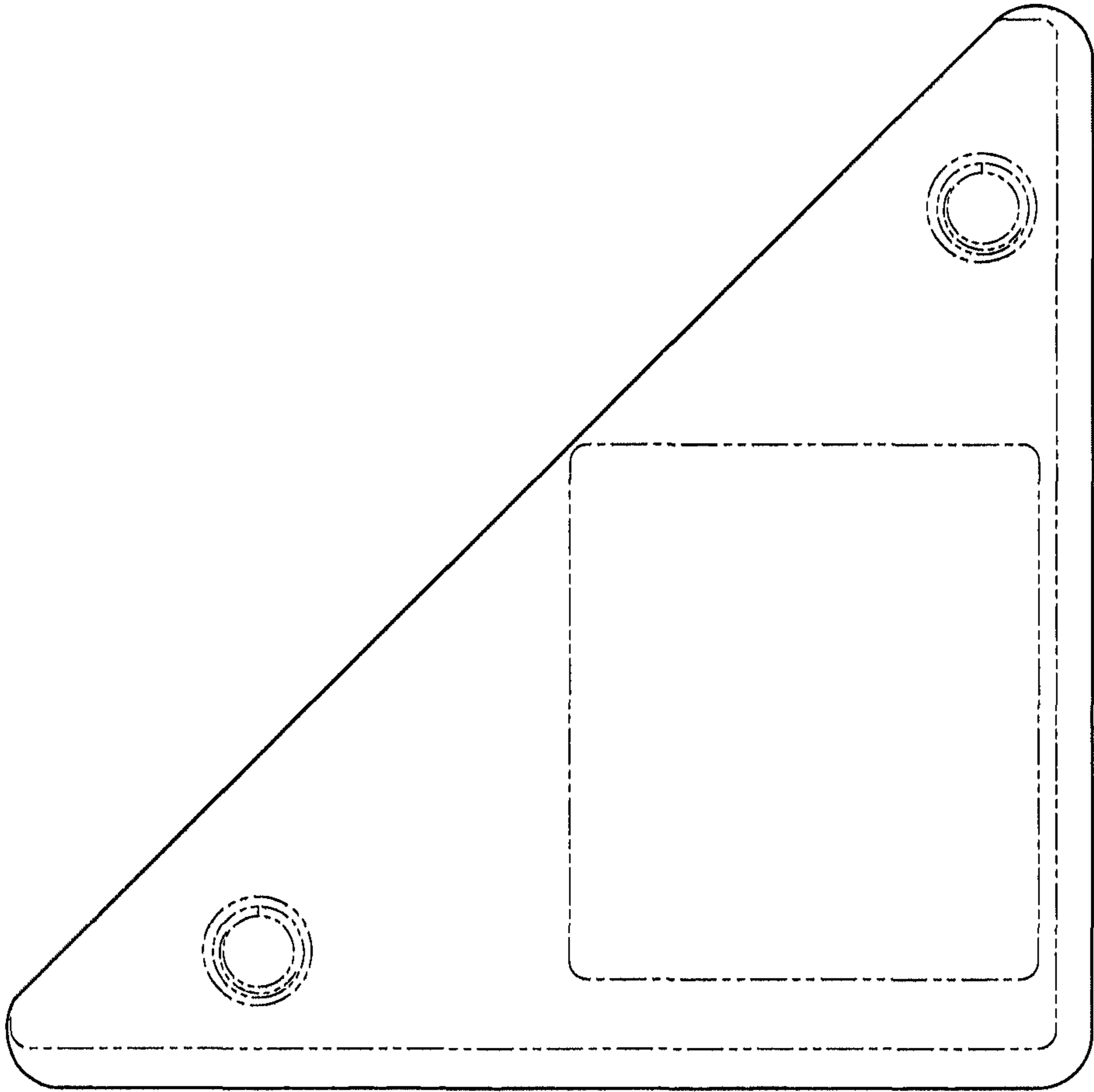


FIG. 5

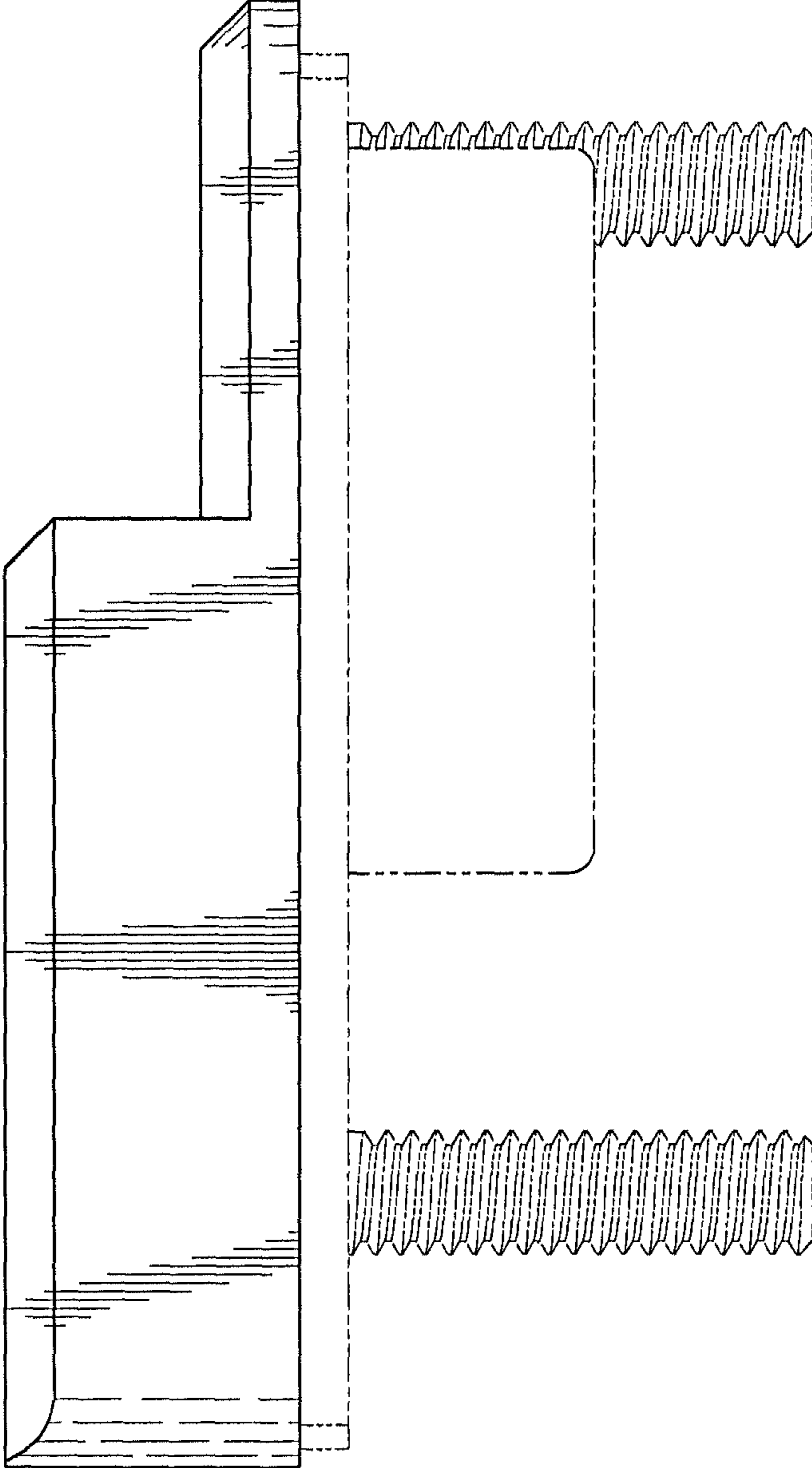


FIG. 6



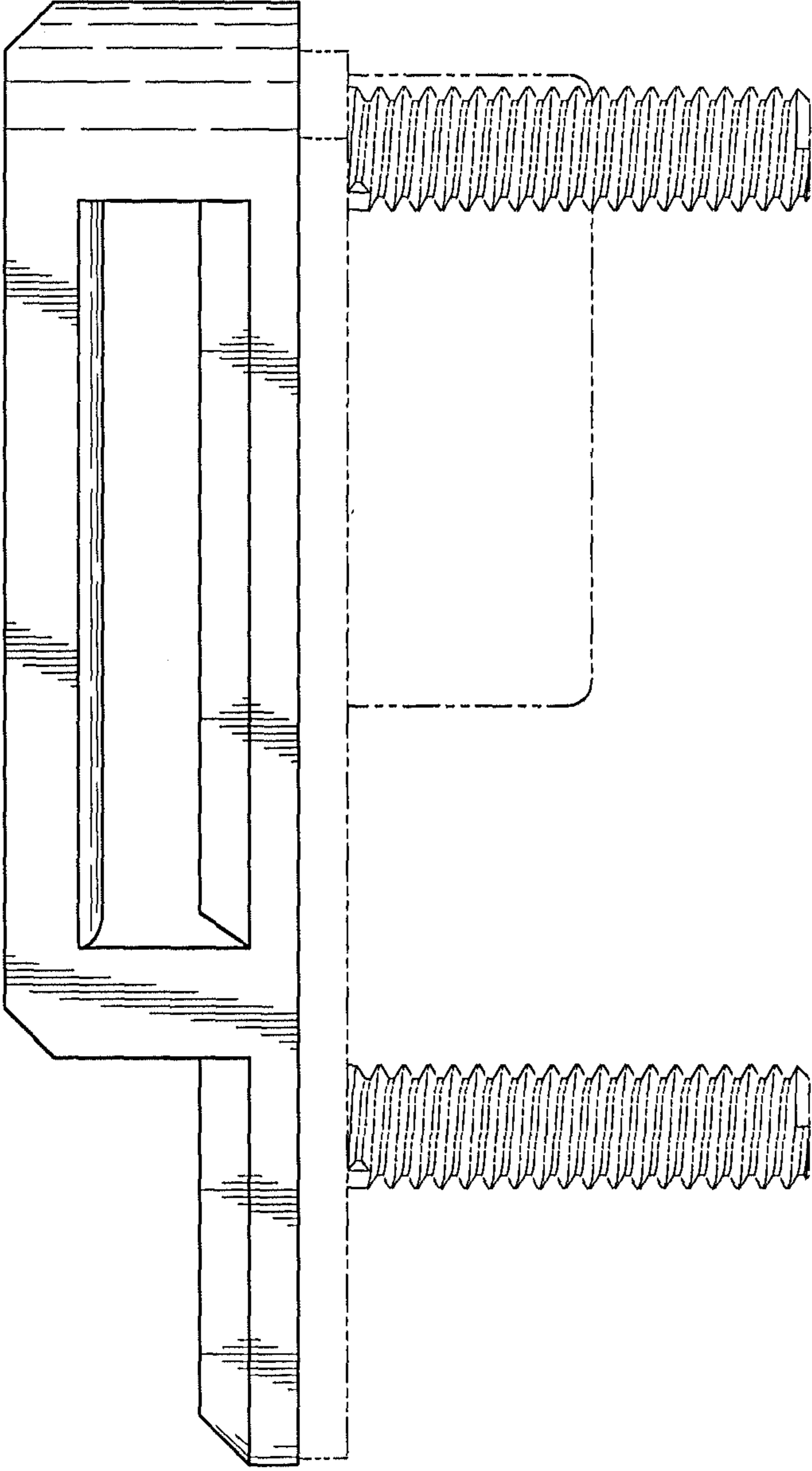


FIG. 7

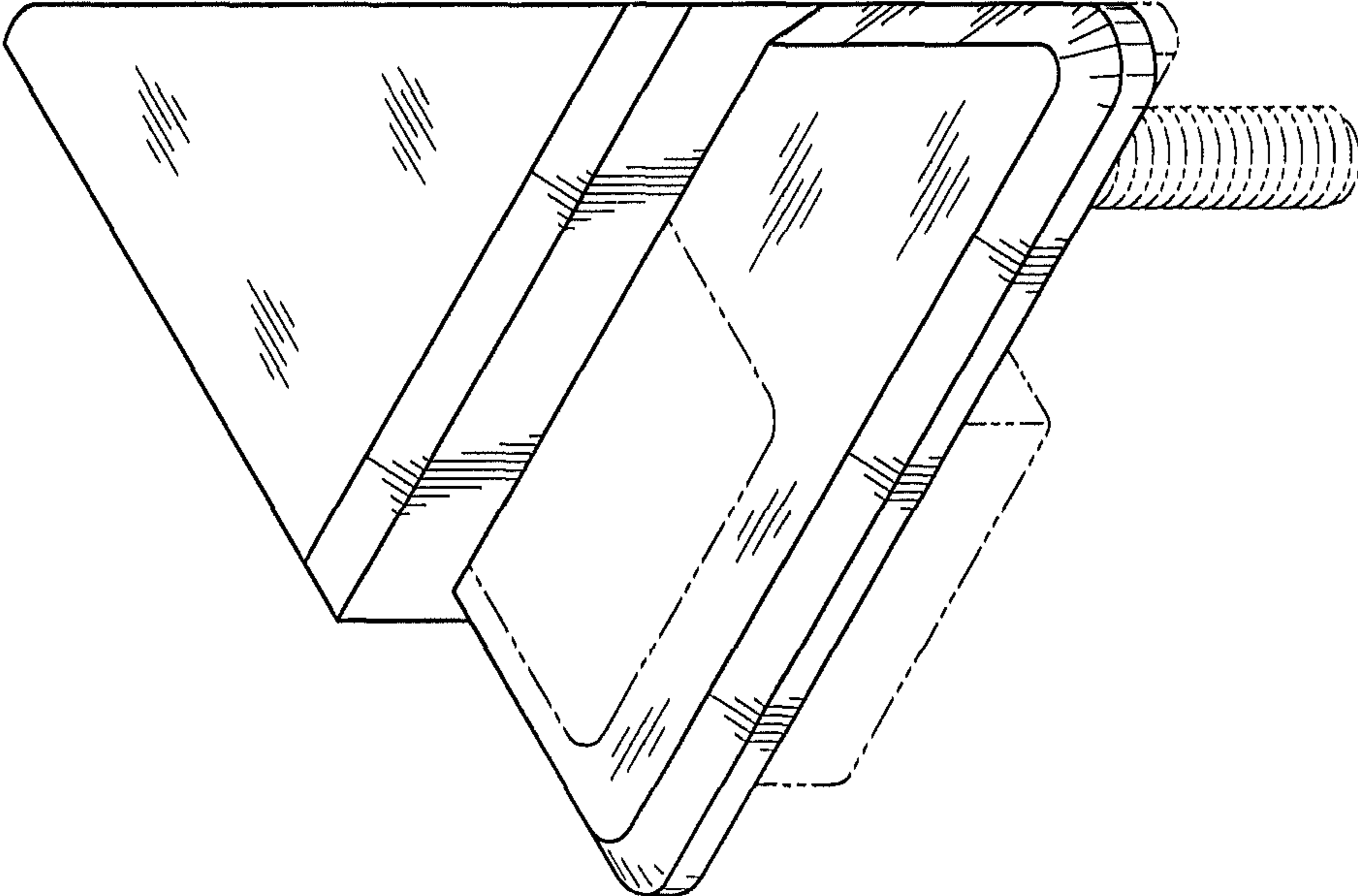


FIG. 8

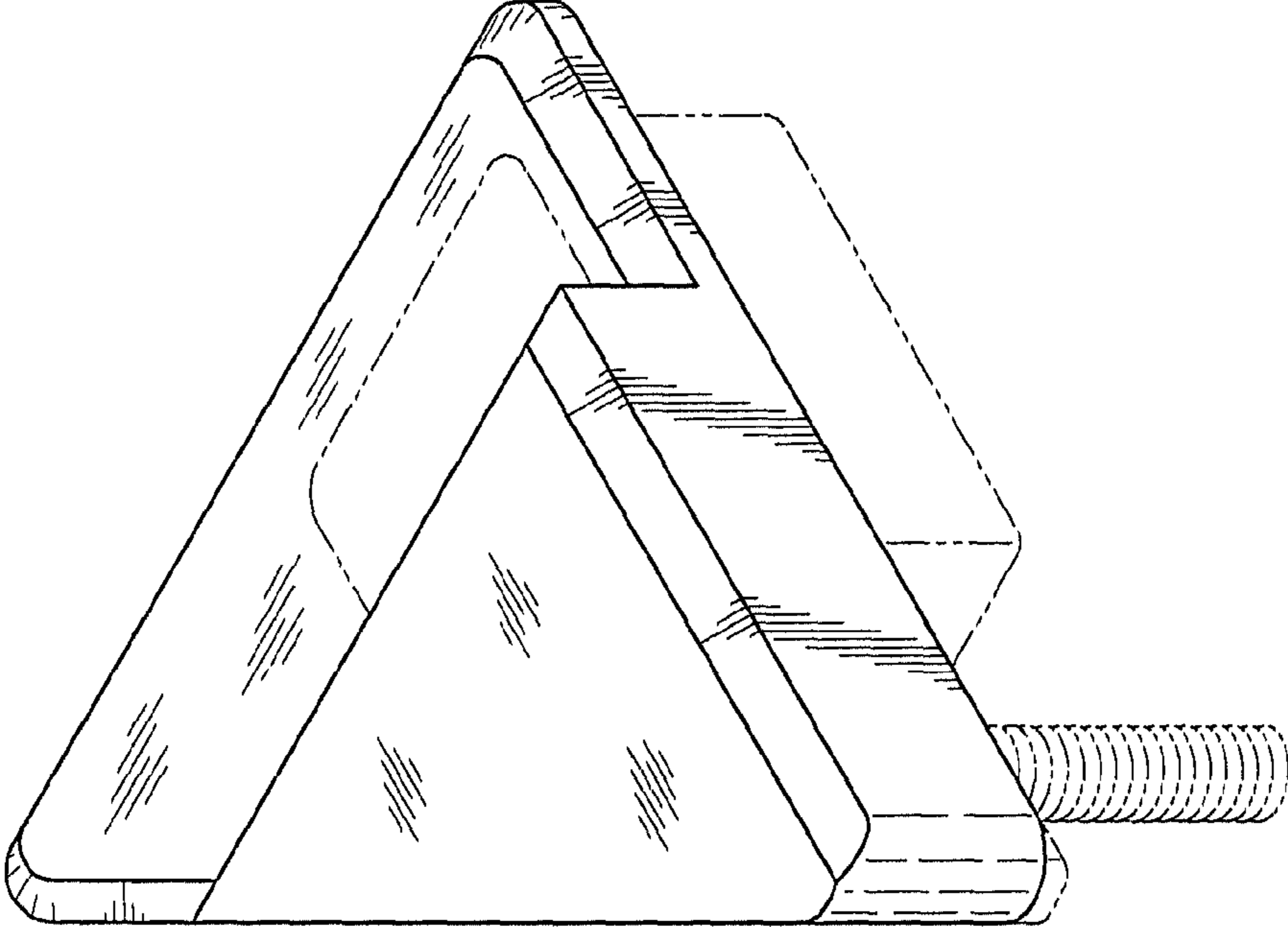


FIG. 9

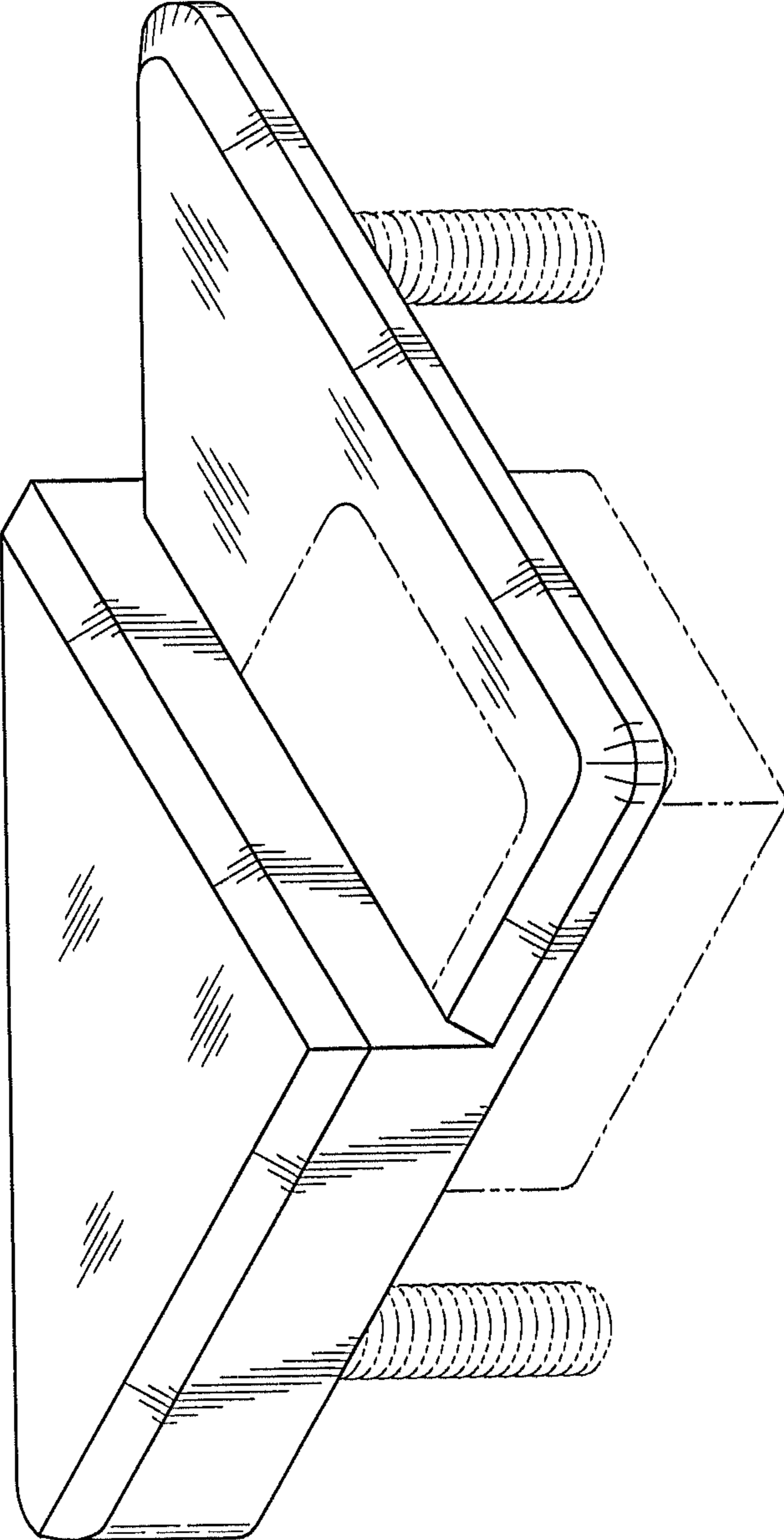


FIG. 10