



US00D686201S

(12) **United States Design Patent**  
**Lee**

(10) **Patent No.:** **US D686,201 S**  
(45) **Date of Patent:** **\*\* Jul. 16, 2013**

(54) **DESKTOP COMPUTER**

(75) Inventor: **Se-O Lee, Yongin (KR)**

(73) Assignee: **Samsung Electronics Co., Ltd.,  
Suwon-Si (KR)**

(\*\*) Term: **14 Years**

(21) Appl. No.: **29/422,470**

(22) Filed: **May 21, 2012**

(30) **Foreign Application Priority Data**

Nov. 29, 2011 (KR) ..... 30-2011-0050344

(51) **LOC (9) Cl.** ..... **14-02**

(52) **U.S. Cl.**  
USPC ..... **D14/314; D14/348**

(58) **Field of Classification Search**  
USPC ..... D14/300, 301, 308, 314, 348, 349-356;  
D13/162, 184, 199; 312/223.1-223.2;  
360/99.01-99.12; 369/34.01, 36.01;  
361/679.01, 679.6, 679.22  
See application file for complete search history.

(56) **References Cited**

**U.S. PATENT DOCUMENTS**

D596,626 S \* 7/2009 Andre et al. .... D14/240  
D601,583 S \* 10/2009 Andre et al. .... D14/496  
D620,953 S \* 8/2010 Andre et al. .... D14/496

D621,397 S \* 8/2010 Andre et al. .... D14/314  
D624,912 S \* 10/2010 Chen et al. .... D14/356  
D650,377 S \* 12/2011 Akana et al. .... D14/314

**FOREIGN PATENT DOCUMENTS**

KR 3020080050677 12/2009  
KR 3020100050290 5/2011  
KR 3020100015137 6/2011  
KR 3020110009721 11/2011  
KR 3020110037472 12/2011  
KR 3020110050344 2/2012

\* cited by examiner

*Primary Examiner* — Freda S Nunn

(74) *Attorney, Agent, or Firm* — Wood, Herron & Evans, LLP

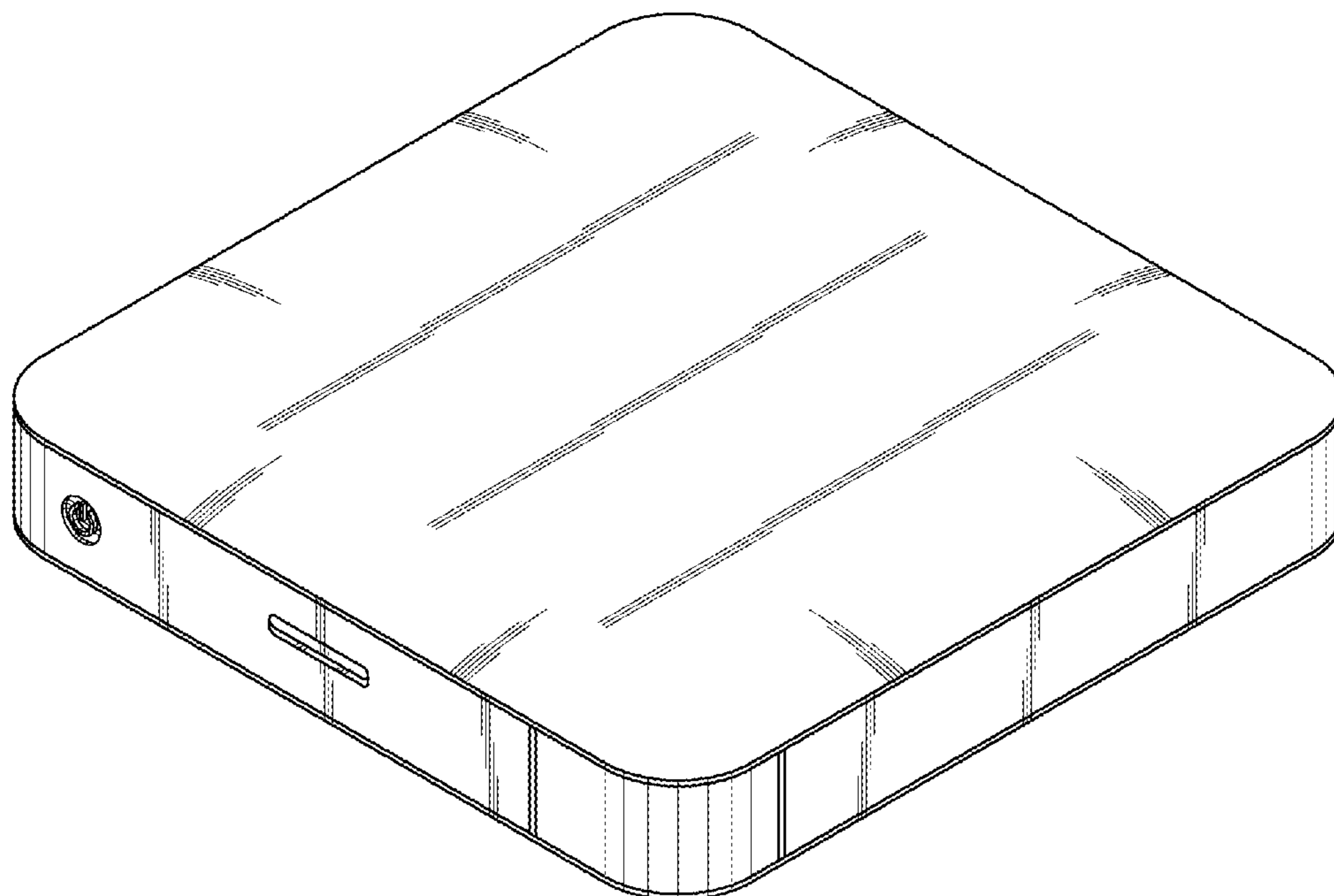
(57) **CLAIM**

The ornamental design for a desktop computer, as shown and described.

**DESCRIPTION**

FIG. 1 is a top front perspective view of a desktop computer showing my new design;  
FIG. 2 is a front elevational view thereof;  
FIG. 3 is a rear elevational view thereof;  
FIG. 4 is a left side elevational view thereof;  
FIG. 5 is a right side elevational view thereof;  
FIG. 6 is a top plan view thereof; and,  
FIG. 7 is a bottom plan view thereof.

**1 Claim, 3 Drawing Sheets**



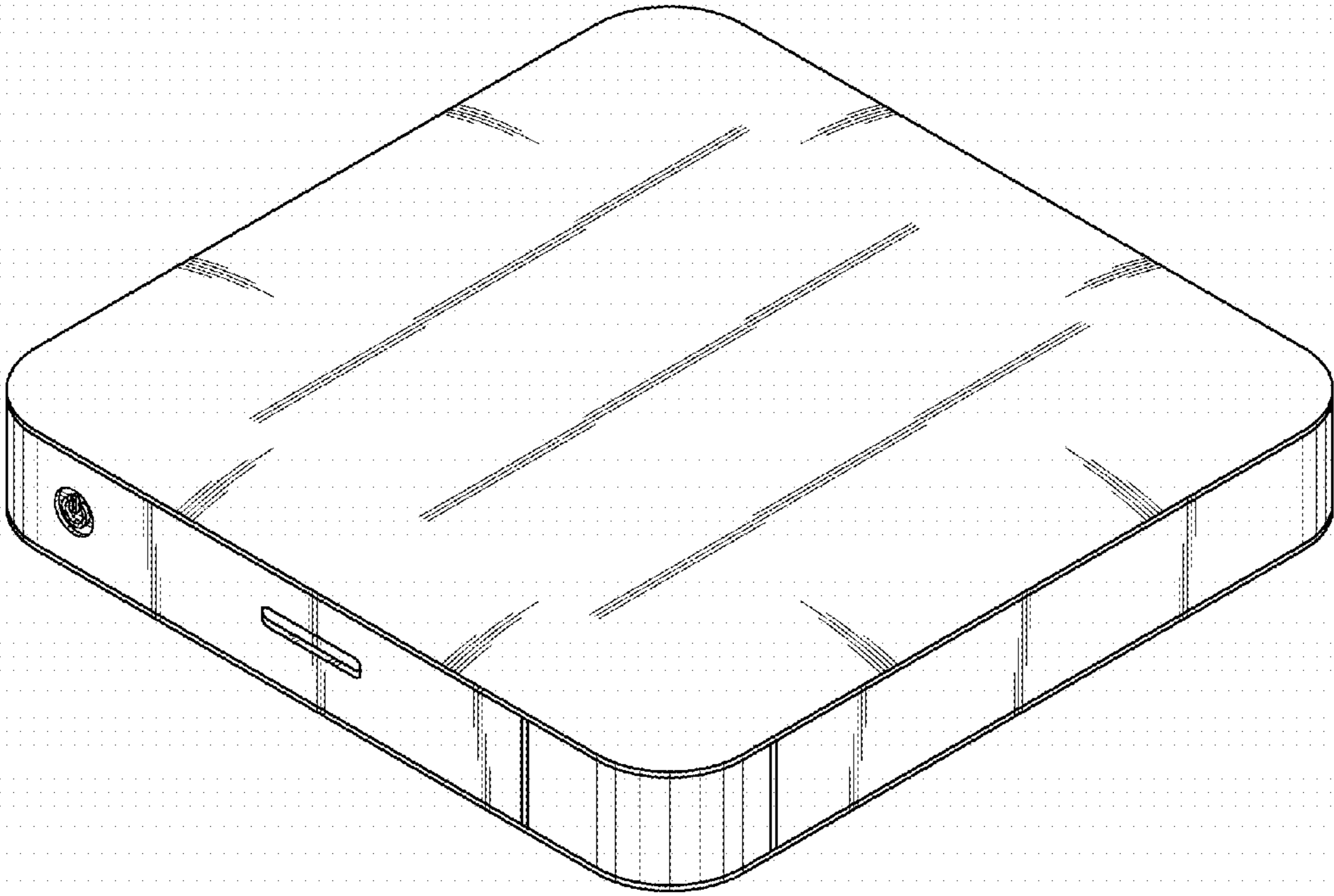


FIG.1

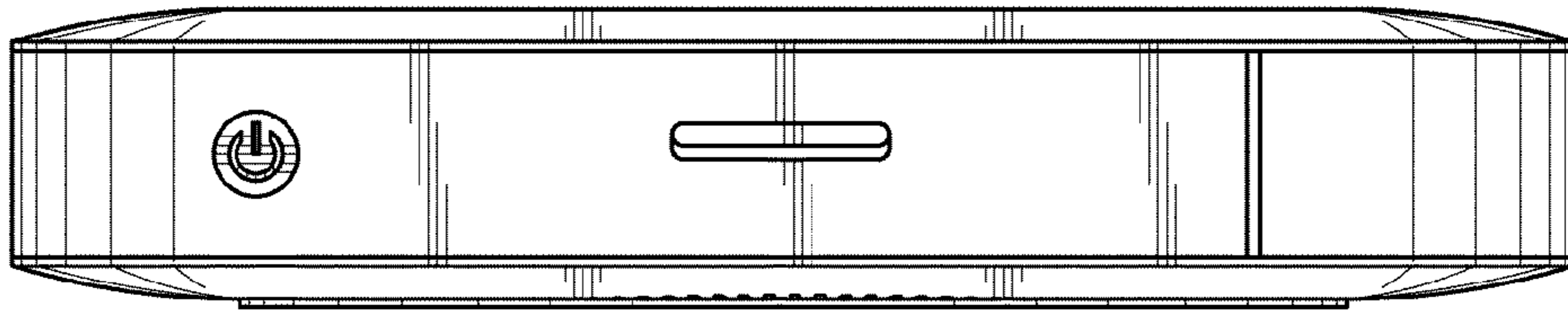


FIG. 2

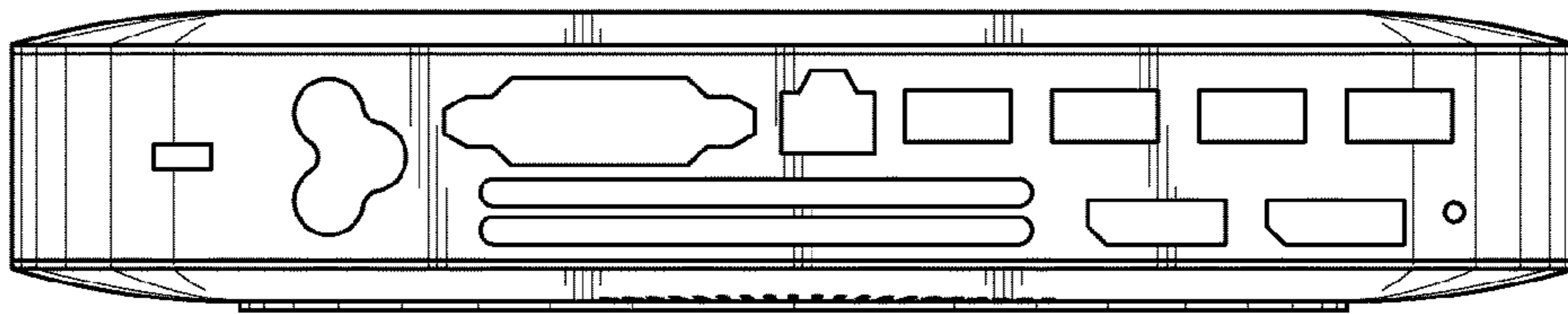


FIG. 3

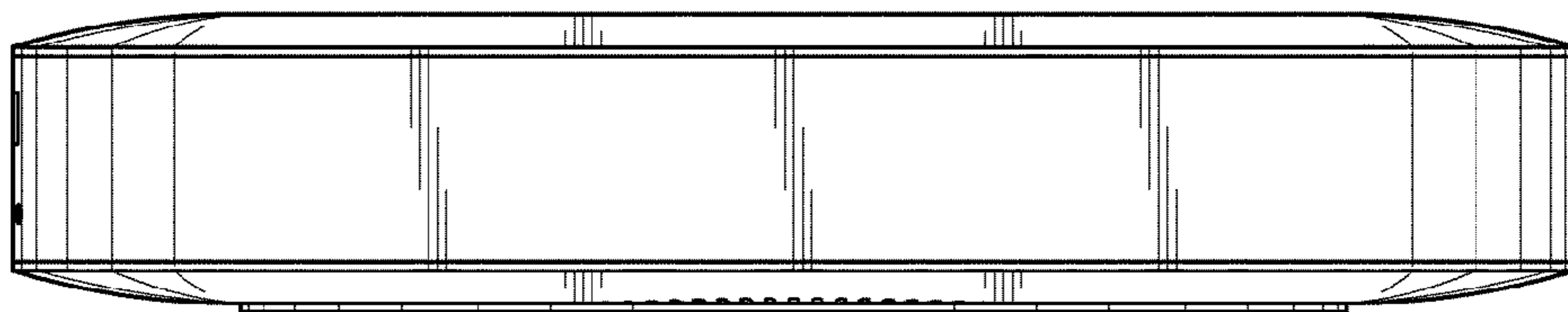


FIG. 4

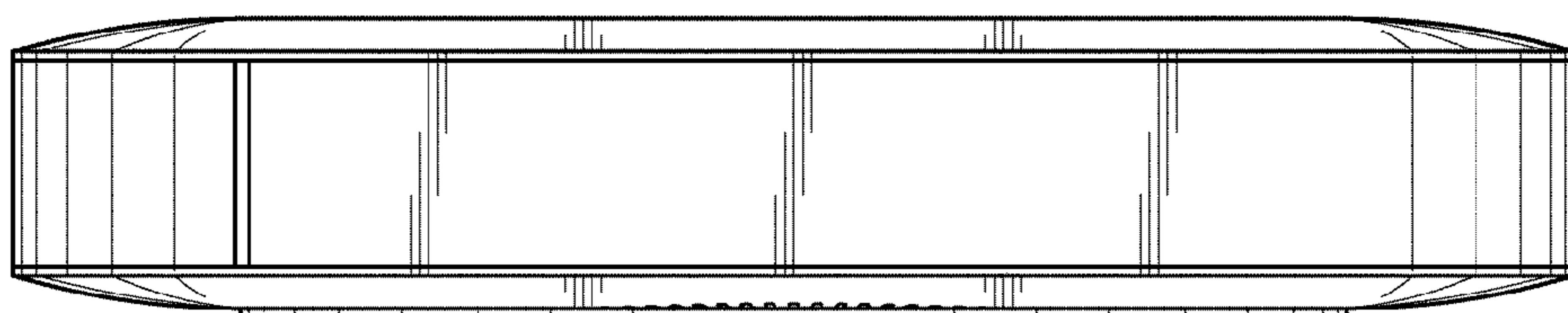


FIG. 5

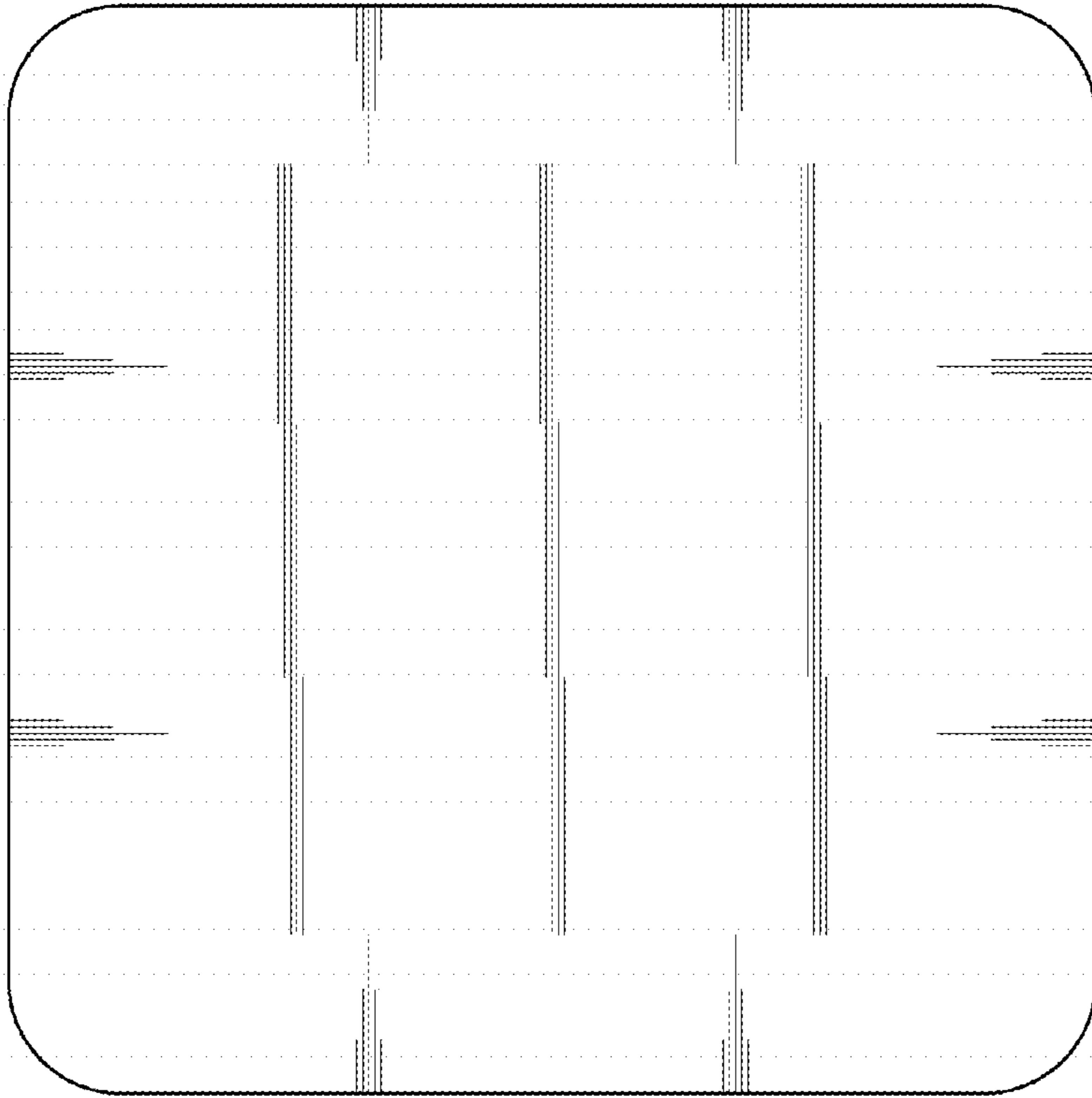


FIG. 6

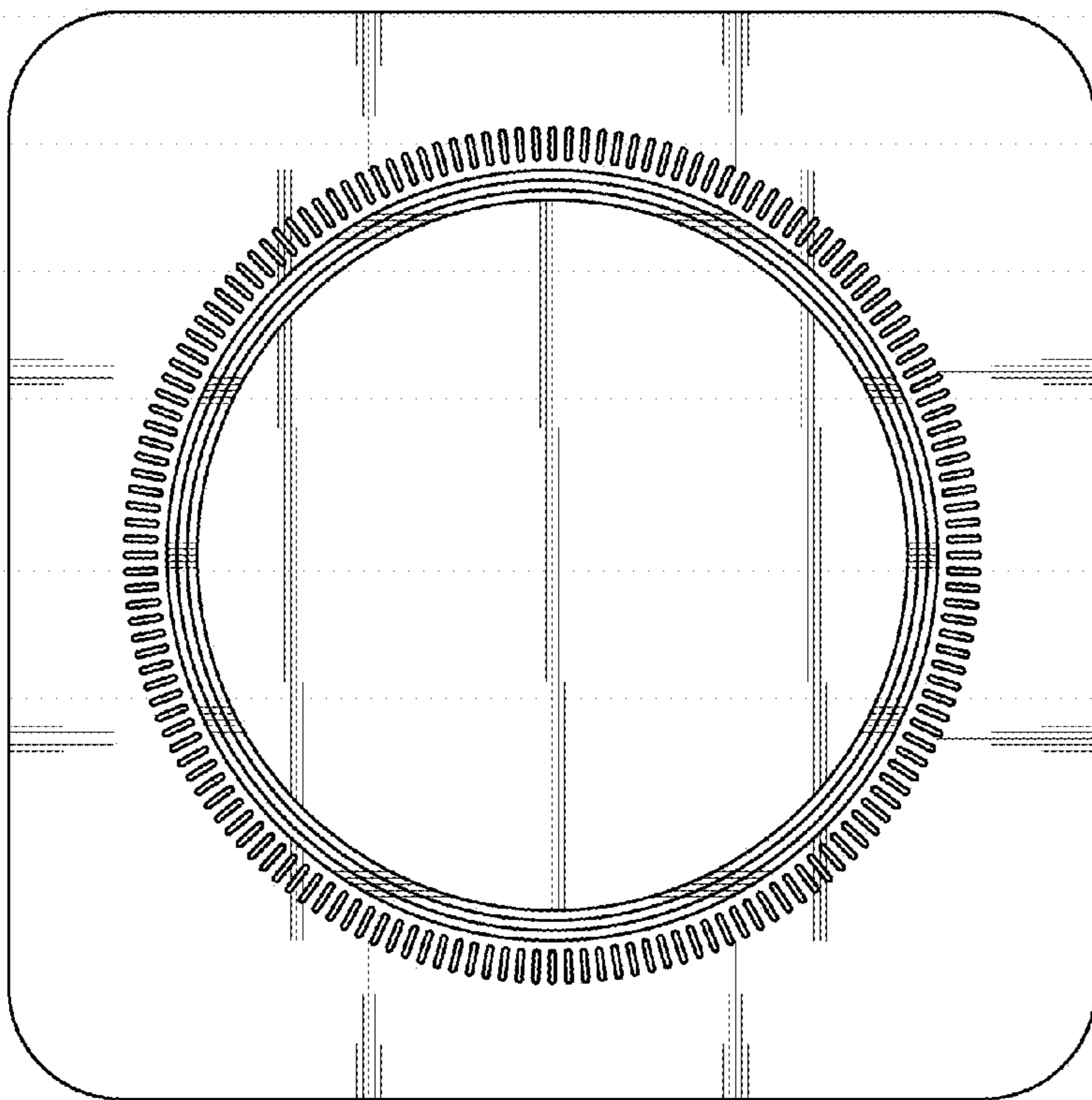


FIG. 7