



US00D686200S

(12) **United States Design Patent**  
**Huang et al.**

(10) **Patent No.:** **US D686,200 S**  
(45) **Date of Patent:** **\*\* Jul. 16, 2013**

(54) **CLEANER PHONE STAND**

(76) Inventors: **Te-Ming Huang**, New Taipei (TW);  
**Jeffrey Lederer**, Greenwich, CT (US)

(\*\*) Term: **14 Years**

(21) Appl. No.: **29/422,750**

(22) Filed: **May 23, 2012**

(51) **LOC (9) Cl.** ..... **14-03**

(52) **U.S. Cl.**  
USPC ..... **D14/253**

(58) **Field of Classification Search**  
USPC ..... D14/140, 140.8, 142, 243–256, 434,  
D14/447; D3/215, 218; D2/861; D6/300,  
D6/310, 467, 553–574; 292/342, 343; D19/90  
See application file for complete search history.

(56) **References Cited**

**U.S. PATENT DOCUMENTS**

D513,008 S *	12/2005	Takizawa et al. ....	D14/447
D637,583 S *	5/2011	Beal et al. ....	D14/217
D664,528 S *	7/2012	Chen et al. ....	D14/253
D666,614 S *	9/2012	Ding ....	D14/253
D669,064 S *	10/2012	Huang ....	D14/251
D670,296 S *	11/2012	Seehoff ....	D14/447

D673,961 S *	1/2013	Matsui et al. ....	D14/447
8,387,938 B2 *	3/2013	Lin ....	248/456
2012/0074286 A1 *	3/2012	Chou ....	248/346.03

\* cited by examiner

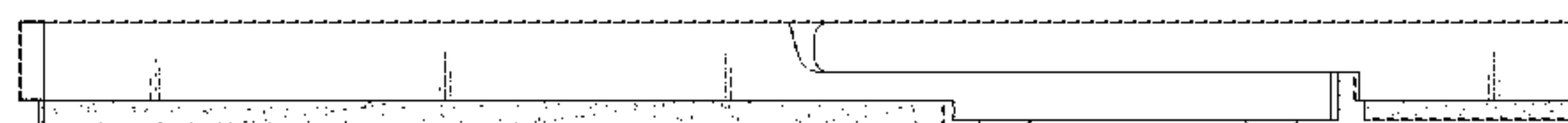
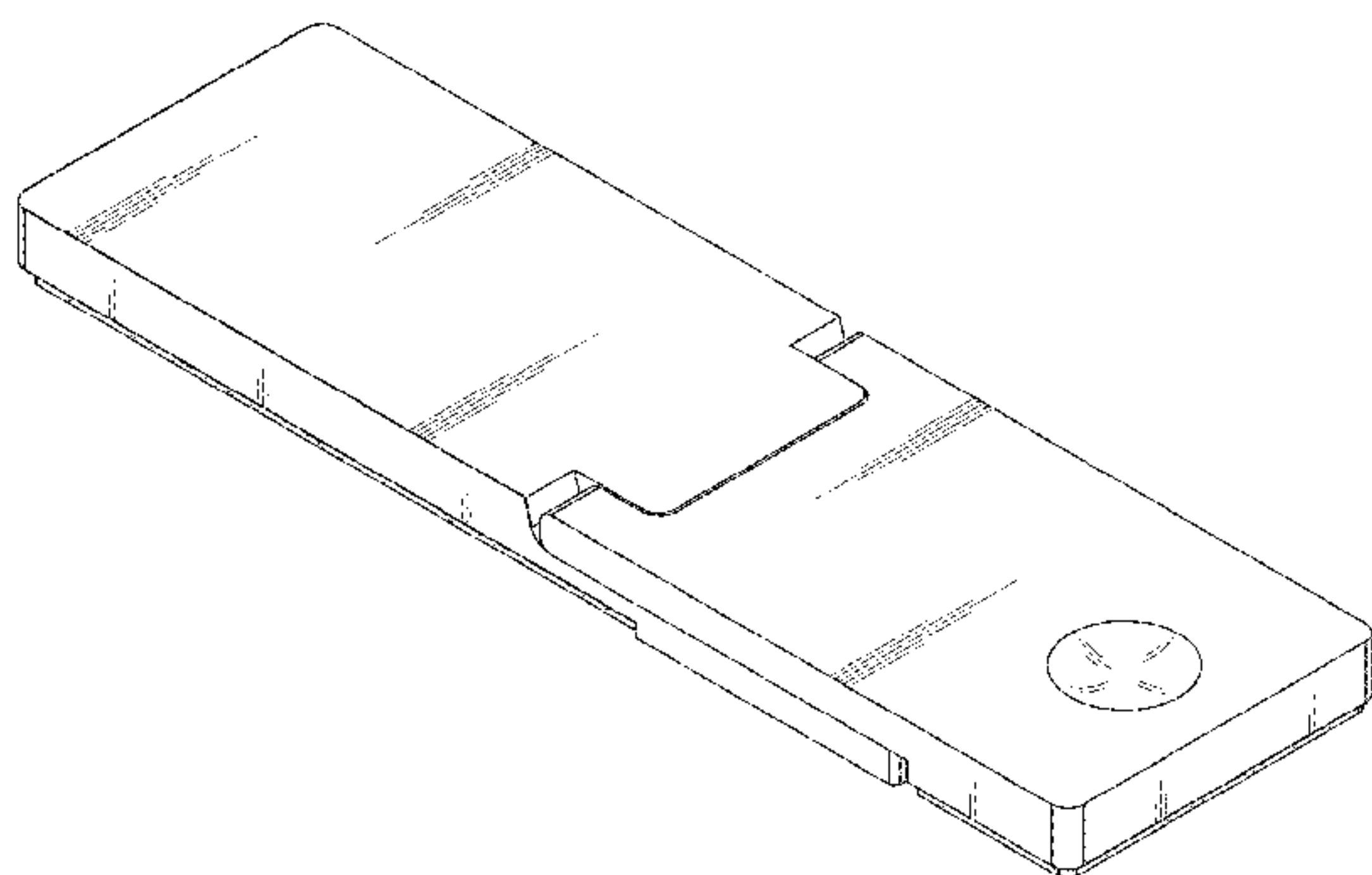
*Primary Examiner* — George D Kirschbaum  
*Assistant Examiner* — Janice Hallmark  
(74) *Attorney, Agent, or Firm* — WPAT, P.C.; Anthony King

(57) **CLAIM**  
The ornamental design for a cleaner phone stand, as shown and described.

**DESCRIPTION**

FIG. 1 is a perspective view of a cleaner phone stand showing my new design;  
FIG. 2 is a front elevational view thereof;  
FIG. 3 is a rear elevational view thereof;  
FIG. 4 is a left elevational view thereof;  
FIG. 5 is a right elevational view thereof;  
FIG. 6 is a top view thereof;  
FIG. 7 is a bottom view thereof; and,  
FIG. 8 is a perspective view of the cleaner phone stand showing a state of use thereof.  
The dash-dot-dot-dash broken line showing of structure is included for the purpose of illustrating portions of the “article” and forms no part of the claimed design.

**1 Claim, 7 Drawing Sheets**



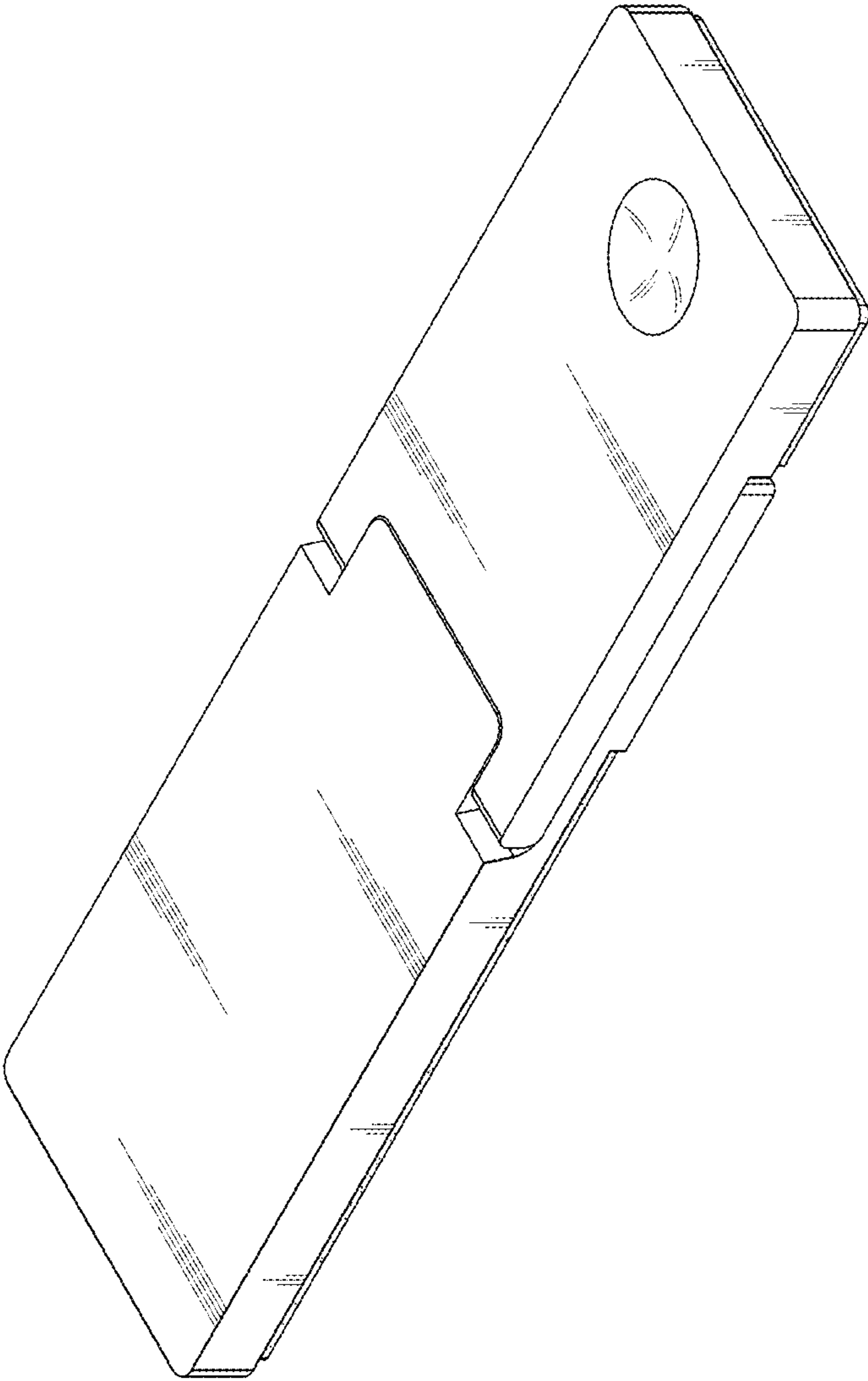


FIG. 1

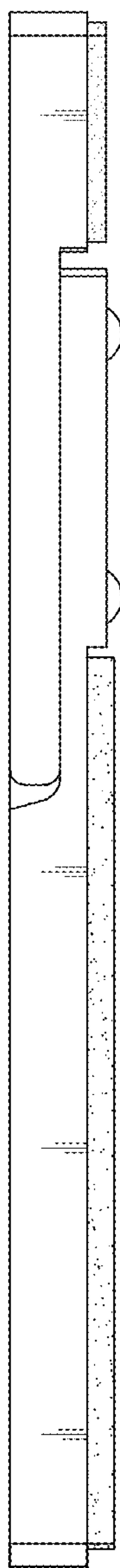


FIG. 2

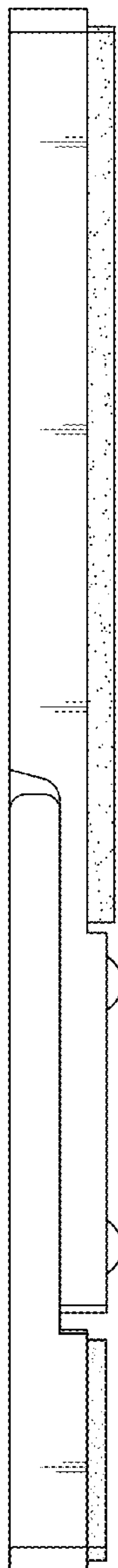


FIG. 3

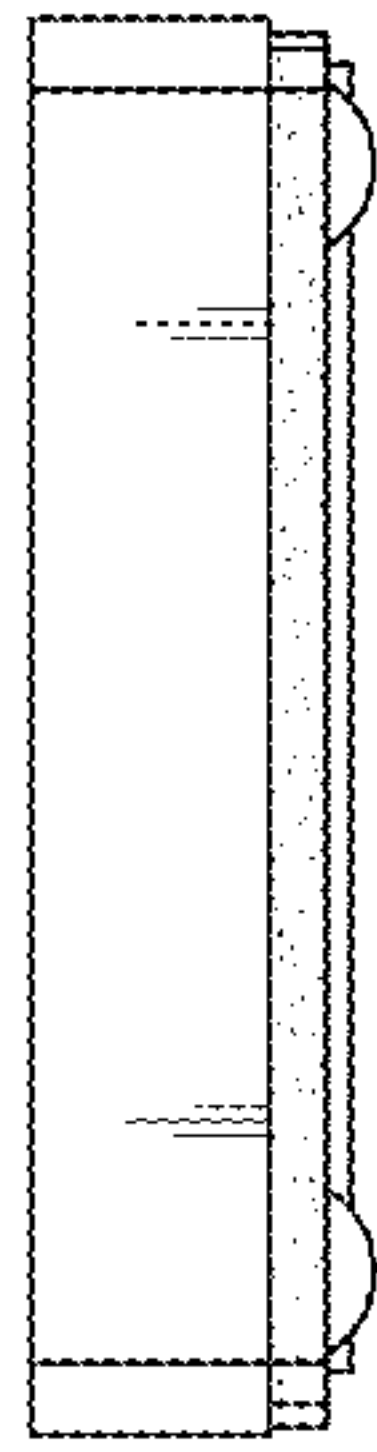


FIG. 5

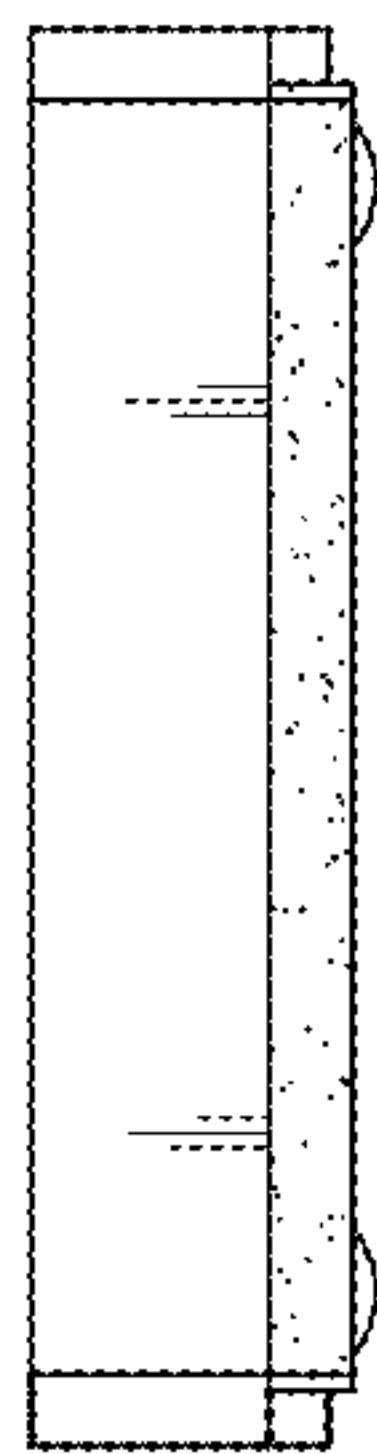


FIG. 4

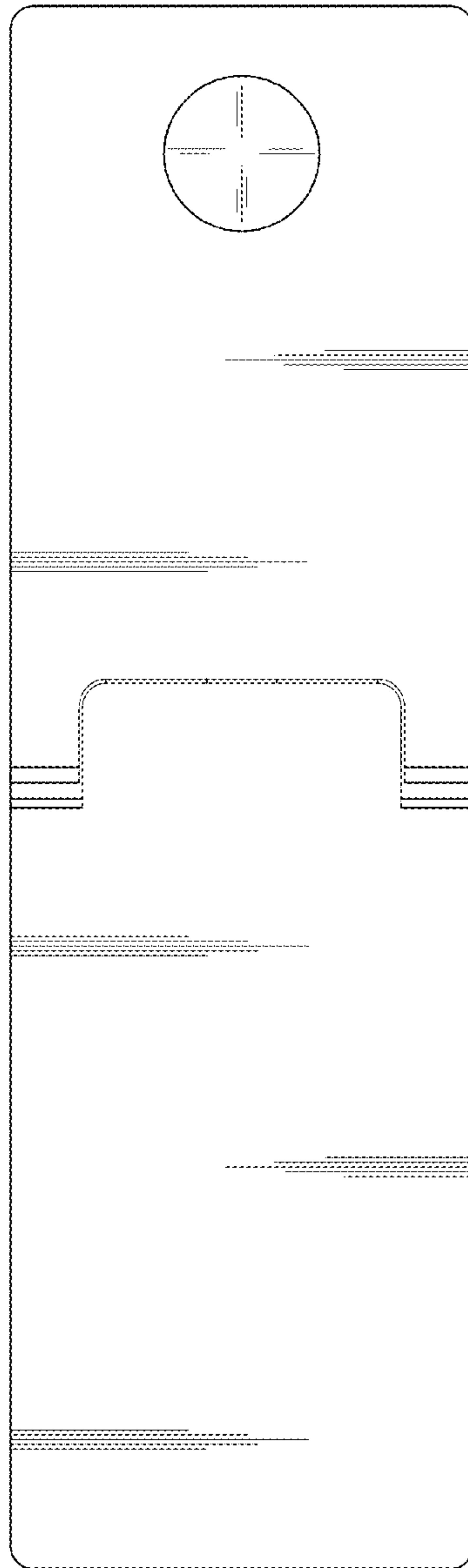


FIG. 6

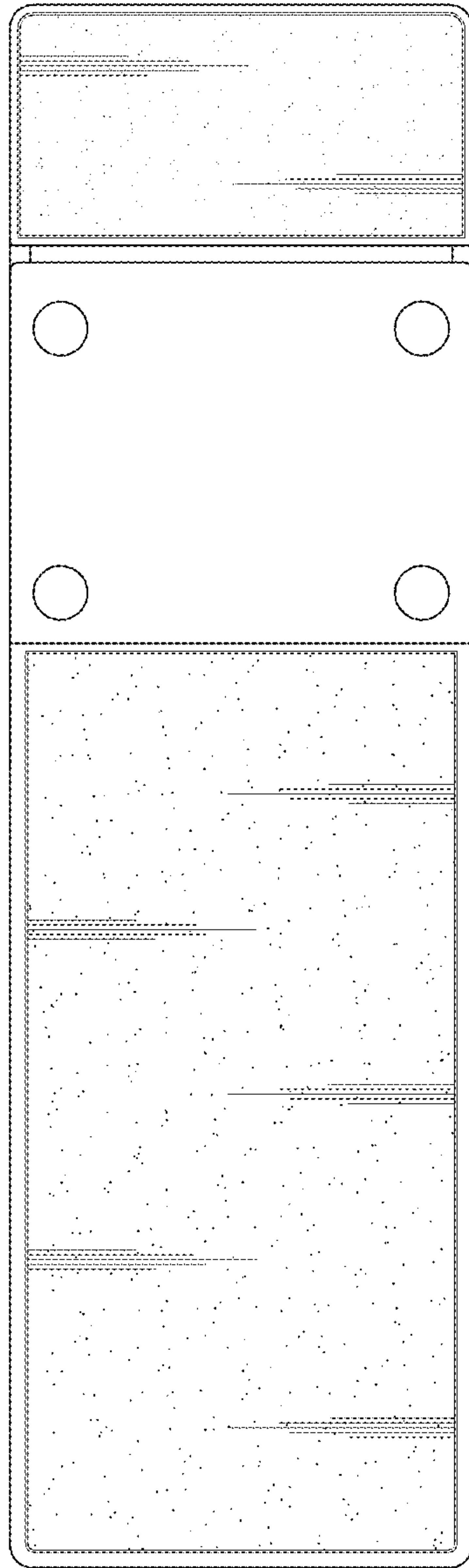


FIG. 7

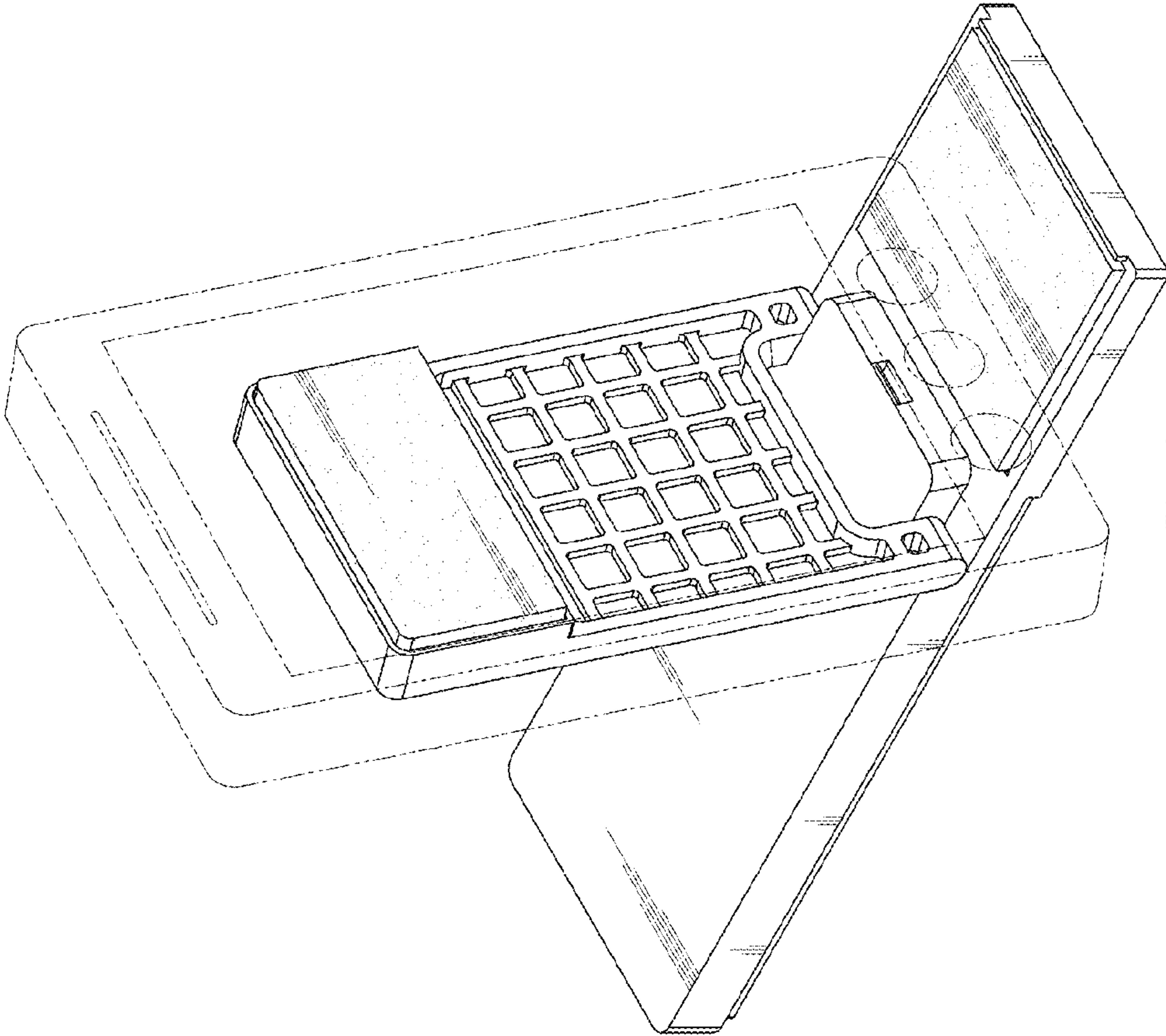


FIG. 8