



US00D686198S

(12) **United States Design Patent**
Lewis et al.

(10) **Patent No.:** **US D686,198 S**
(45) **Date of Patent:** **** Jul. 16, 2013**

(54) **ELECTRONIC DEVICE**

(75) Inventors: **William Jeffrey Lewis**, Mountain View, CA (US); **Chi-Hsiang Kao**, Taipei (TW); **Chih-Ling Lin**, New Taipei (TW); **Wen-Pin Chen**, New Taipei (TW); **Chien-Ju Huang**, New Taipei (TW)

(73) Assignee: **Cisco Systems, Inc.**, San Jose, CA (US)

(**) Term: **14 Years**

(21) Appl. No.: **29/405,368**

(22) Filed: **Nov. 1, 2011**

(51) **LOC (9) Cl.** **14-03**

(52) **U.S. Cl.**
USPC **D14/240**

(58) **Field of Classification Search**
USPC D14/300–302, 314, 348–370, 383–385, D14/435, 496, 125, 135, 155, 203.1, 203.3, D14/240–242, 299; D3/273; D9/432; D10/65, D10/75, 78; D13/103, 119, 162, 184, 199; 361/679.31, 679.33–679.45; 312/223.2
See application file for complete search history.

(56) **References Cited**

U.S. PATENT DOCUMENTS

| | | | | | | |
|-----------|---|---|---------|----------------|-------|------------|
| 2,783,416 | A | * | 2/1957 | Butler | | 361/679.31 |
| D258,577 | S | * | 3/1981 | Bottner | | D10/104.1 |
| D314,369 | S | * | 2/1991 | Sacherman | | D13/160 |
| D341,363 | S | * | 11/1993 | Chambers | | D14/240 |
| D422,962 | S | * | 4/2000 | Shevlin et al. | | D13/103 |
| D491,564 | S | * | 6/2004 | Chaney et al. | | D14/435 |
| D530,315 | S | * | 10/2006 | Liu | | D14/240 |
| D540,318 | S | * | 4/2007 | Wang | | D14/300 |
| D558,790 | S | * | 1/2008 | Yu et al. | | D14/496 |
| D566,704 | S | * | 4/2008 | Cutting | | D14/313 |
| D589,516 | S | * | 3/2009 | Anglin | | D14/432 |
| D596,626 | S | * | 7/2009 | Andre et al. | | D14/240 |

| | | | | | | |
|----------|---|---|--------|--------------|-------|---------|
| D598,013 | S | * | 8/2009 | Ju et al. | | D14/240 |
| D657,348 | S | * | 4/2012 | Shim et al. | | D14/214 |
| D662,496 | S | * | 6/2012 | Lewis et al. | | D14/240 |

OTHER PUBLICATIONS

Cisco SPA302D Kit—e4 Technologies, [online], [retrieved on Feb. 26, 2013]. Retrieved from the Internet <URL: <http://8774e4voip.com/cisco-spa302d-kit>>.*
Cisco SPA112 2-Port Phone Adapter—Cisco Systems, [online], [retrieved on Feb. 26, 2013]. Retrieved from the Internet <URL: <http://www.cisco.com/en/US/products/ps11977/index.html>>.*
NiveusMedia, Inc.—maker of digital home solutions, [online], [retrieved on Jul. 24, 2007]. Retrieved from the Internet <URL: http://www.niveusmedia.com/gallery/gal_Rainier.htm>.*
:: Niveus Media, Inc :: Tomorrow's Digital Home, Today! p. 2 [online], [retrieved on Jul. 24, 2007]. Retrieved from the Internet <URL: <http://www.niveusmedia.com/products/rainier07v.htm>>.*

* cited by examiner

Primary Examiner — Karen E Kearney

(74) *Attorney, Agent, or Firm* — Patterson & Sheridan, LLP

(57) **CLAIM**

The ornamental design for an electronic device, as shown and described.

DESCRIPTION

FIG. 1 is a perspective view of an electronic device showing our new design.

FIG. 2 is a top view thereof.

FIG. 3 is a front view thereof.

FIG. 4 is a rear view thereof.

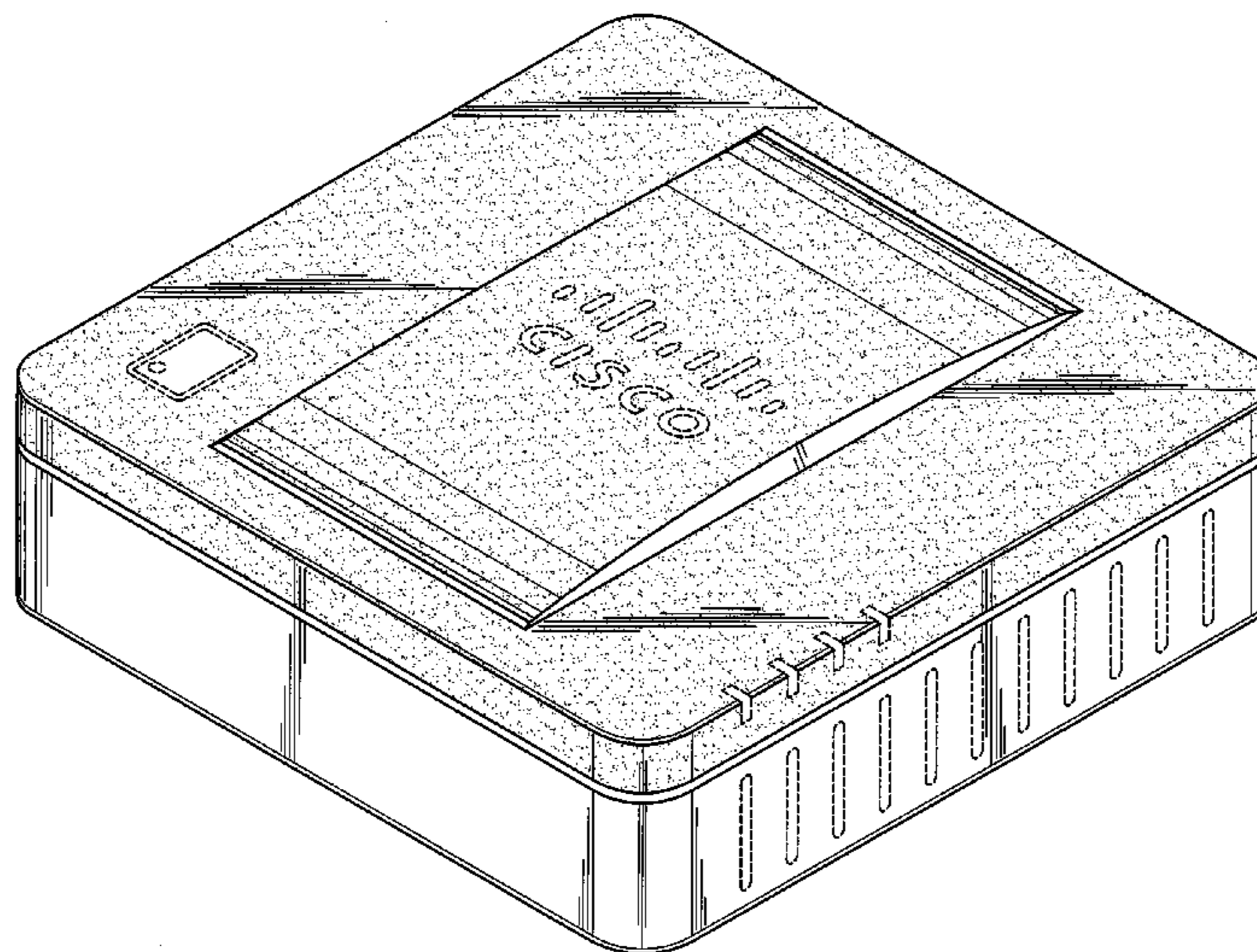
FIG. 5 is a left side view thereof.

FIG. 6 is a right side view thereof; and,

FIG. 7 is a bottom view thereof.

The broken line showings in the figures are included for the purpose of illustrating portions of the electronic device and form no part of the claimed design. The stipple shading in the figures represent a contrast of appearance. The line shading in the figures are included for the purpose of illustrating contour.

1 Claim, 5 Drawing Sheets



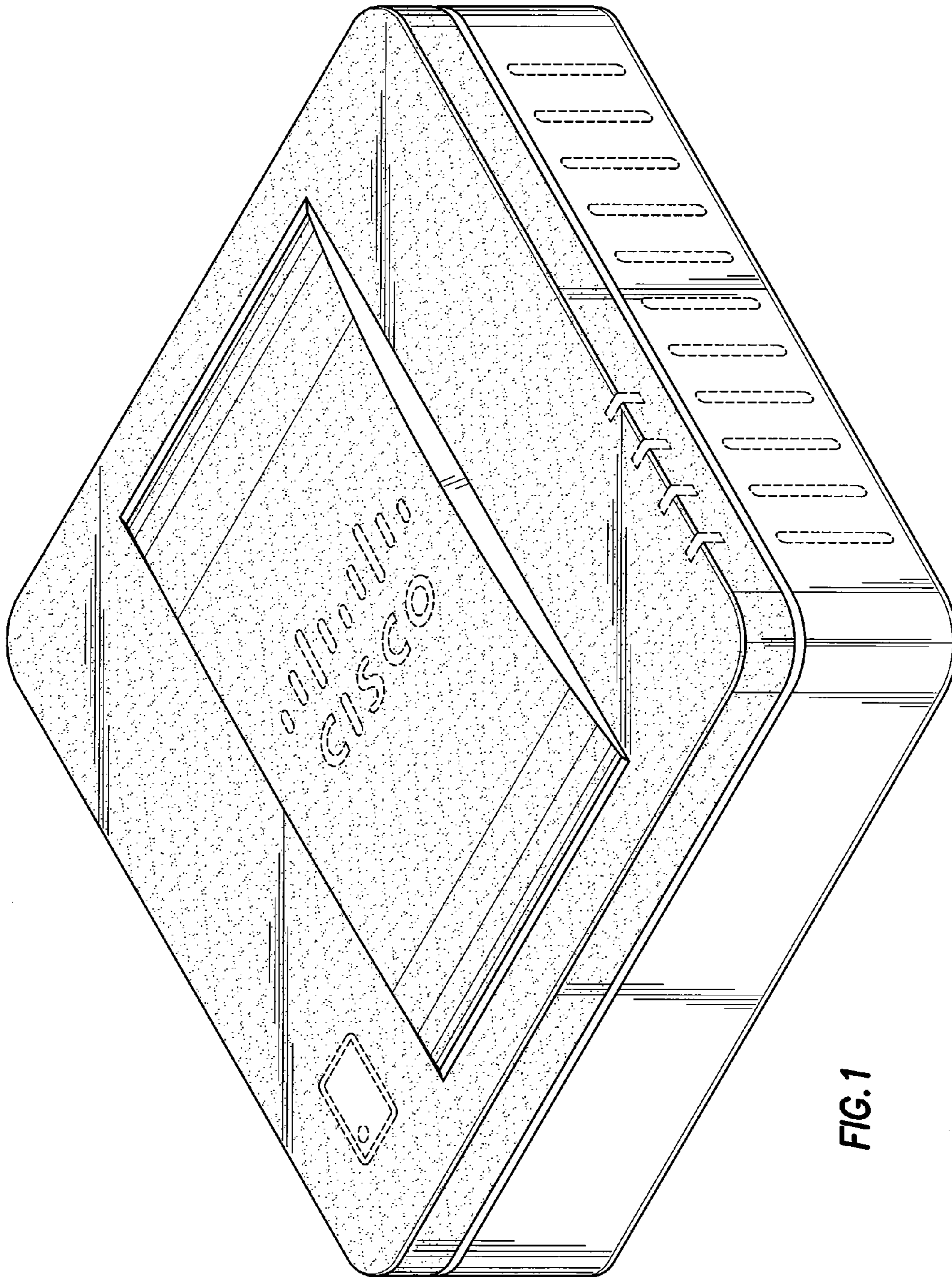


FIG. 1

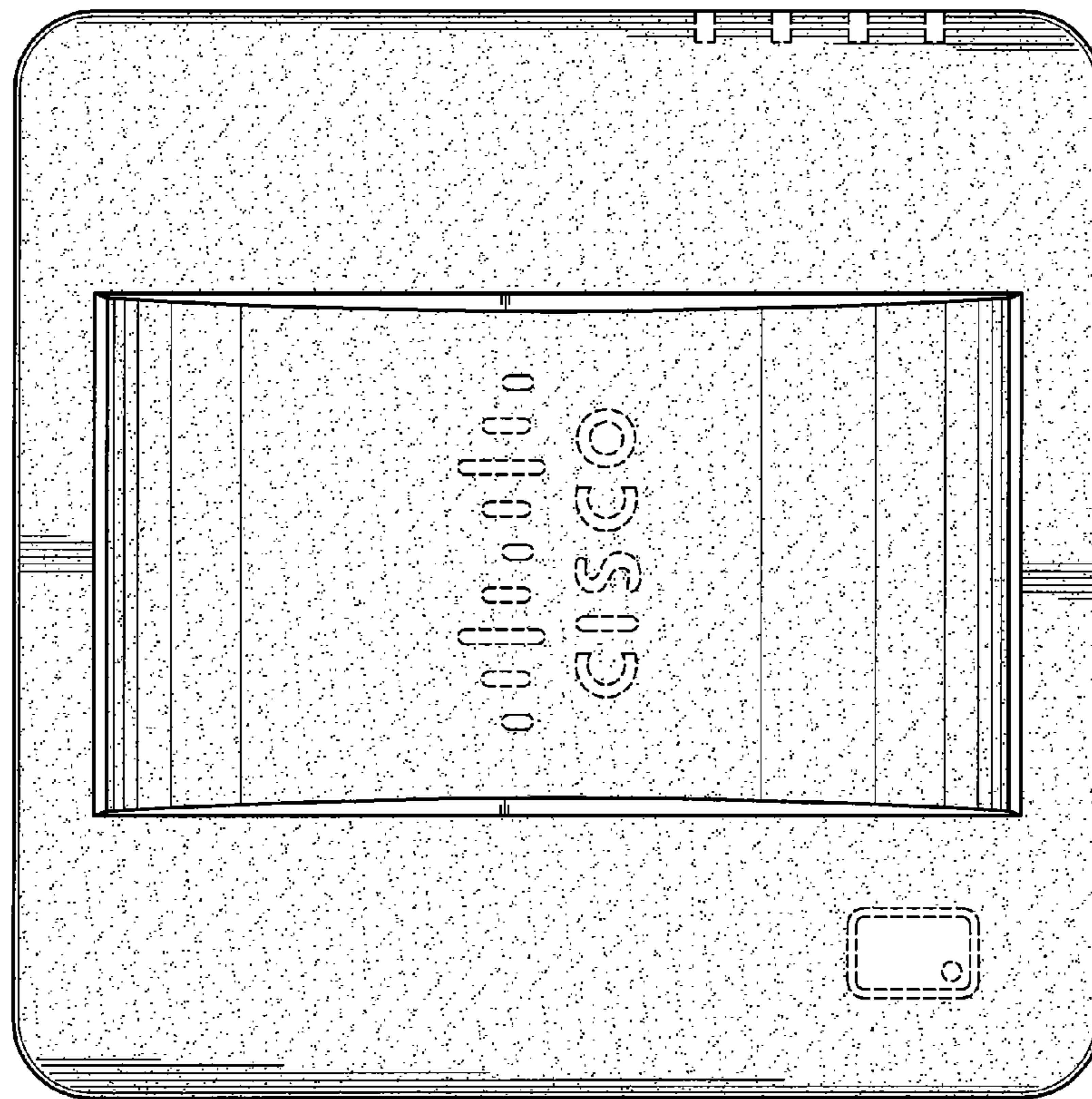


FIG.2

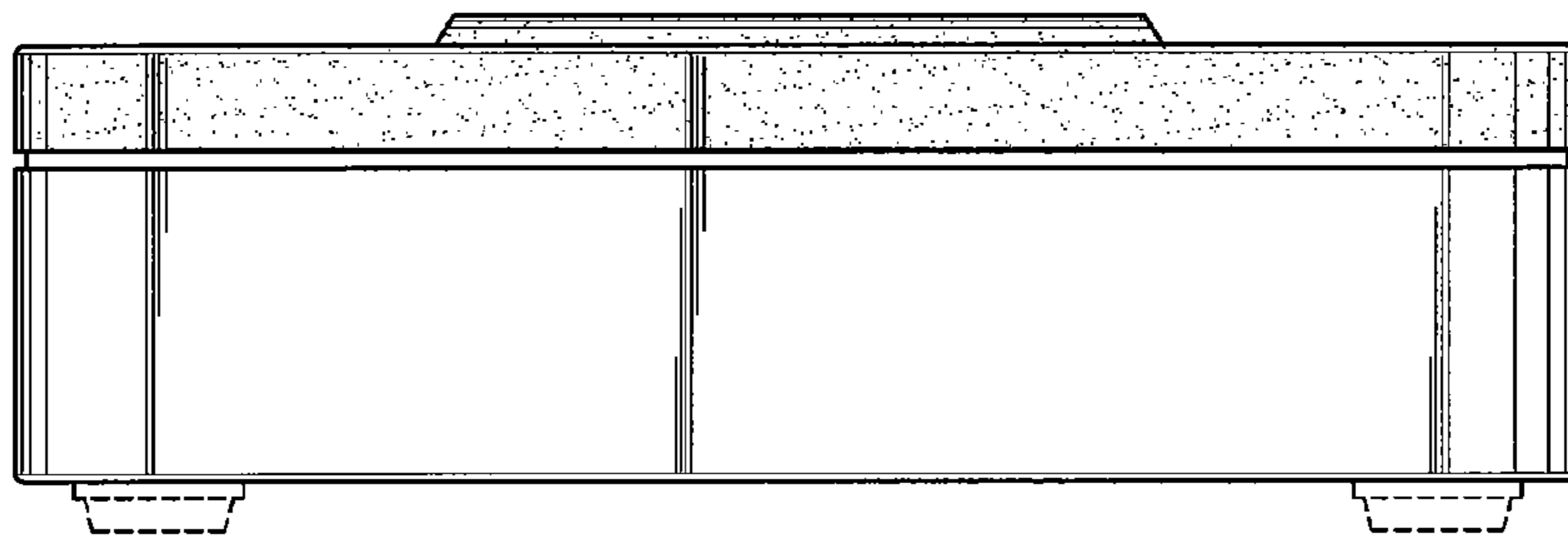


FIG.3

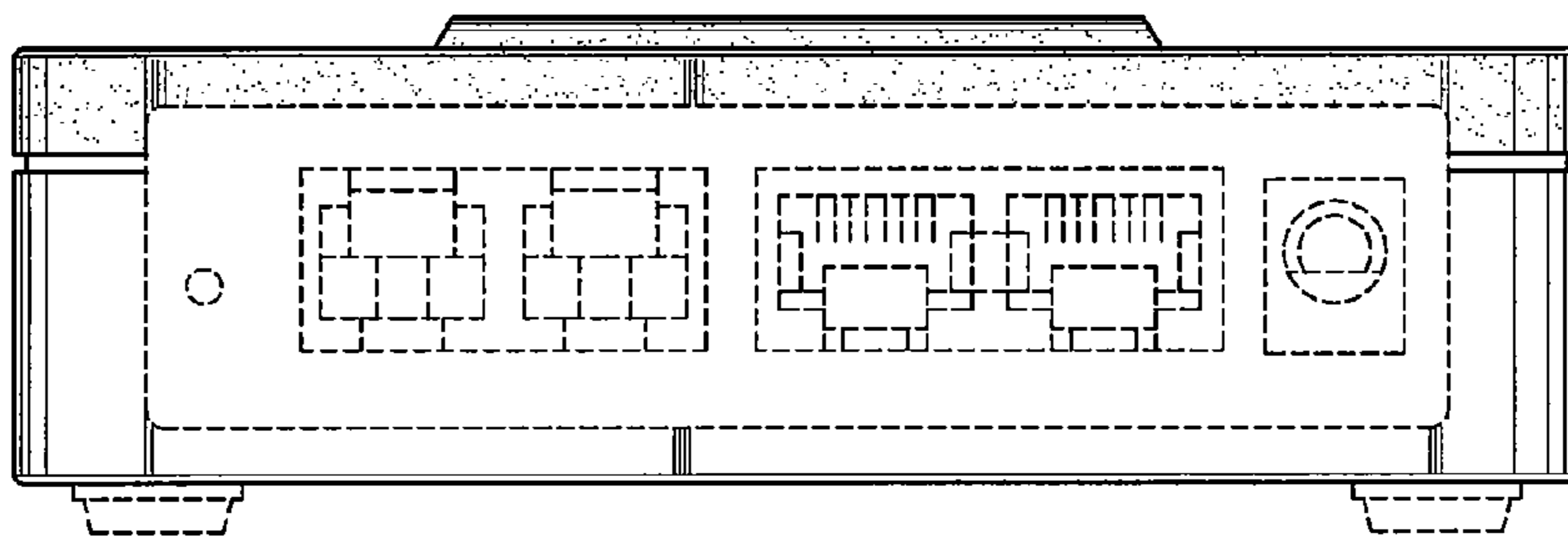


FIG.4

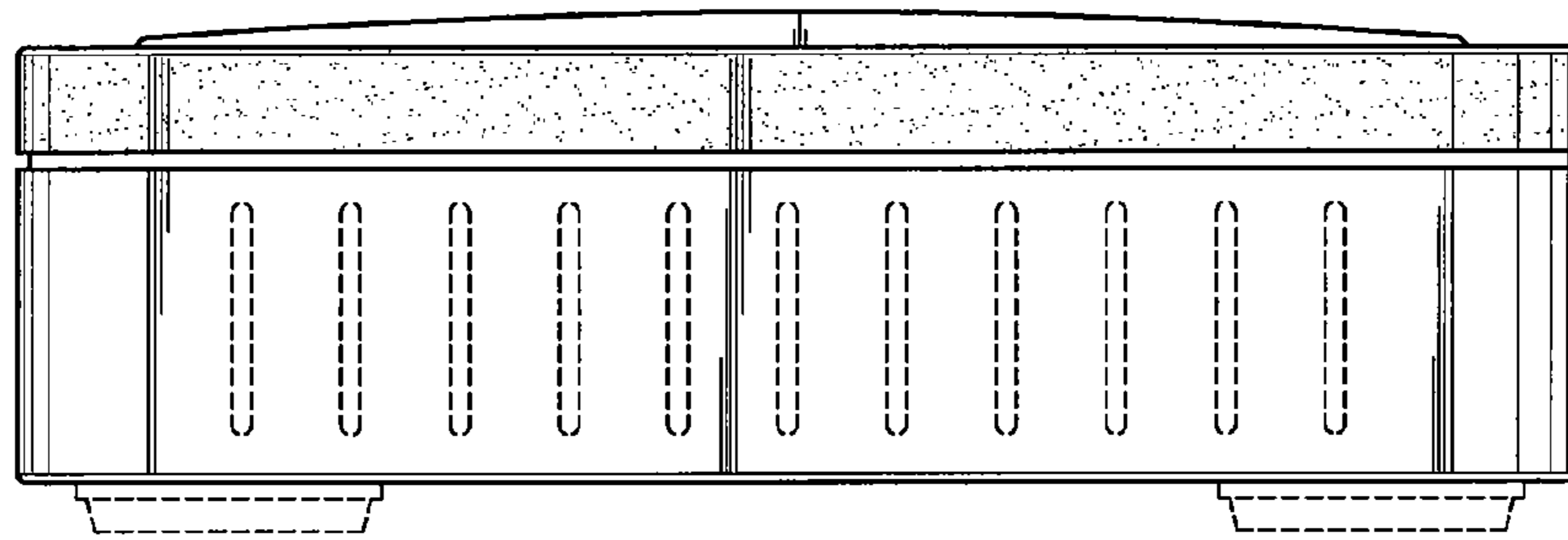


FIG. 5

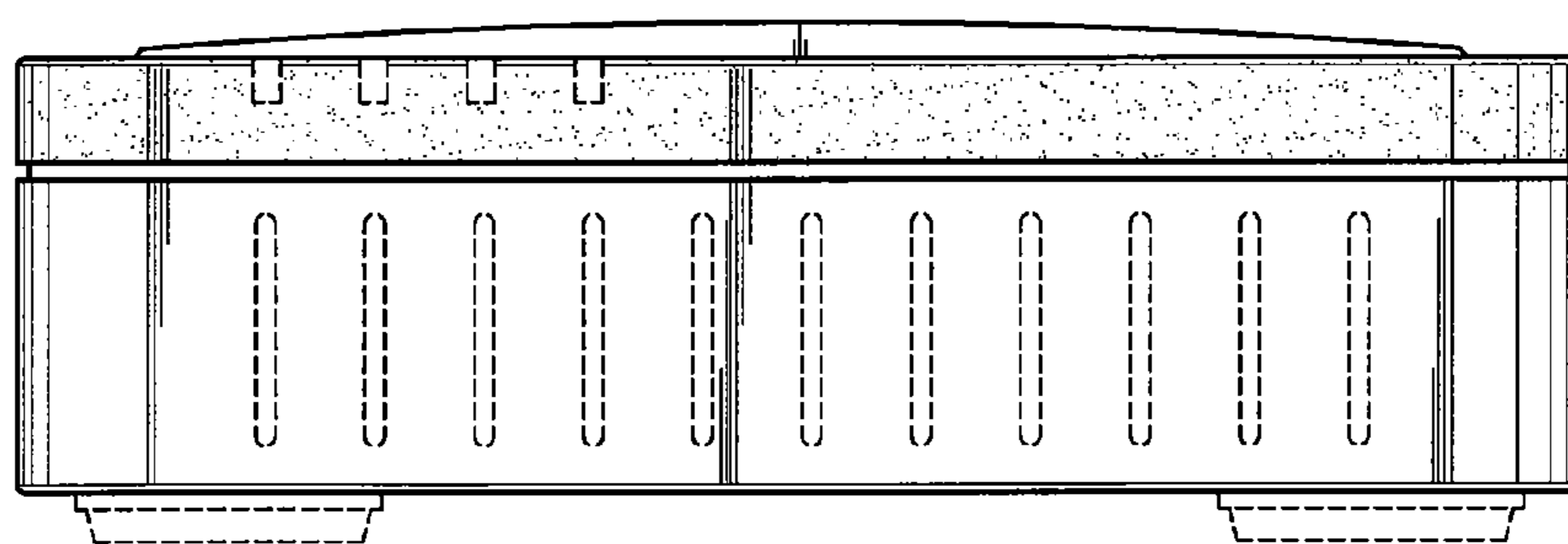


FIG. 6

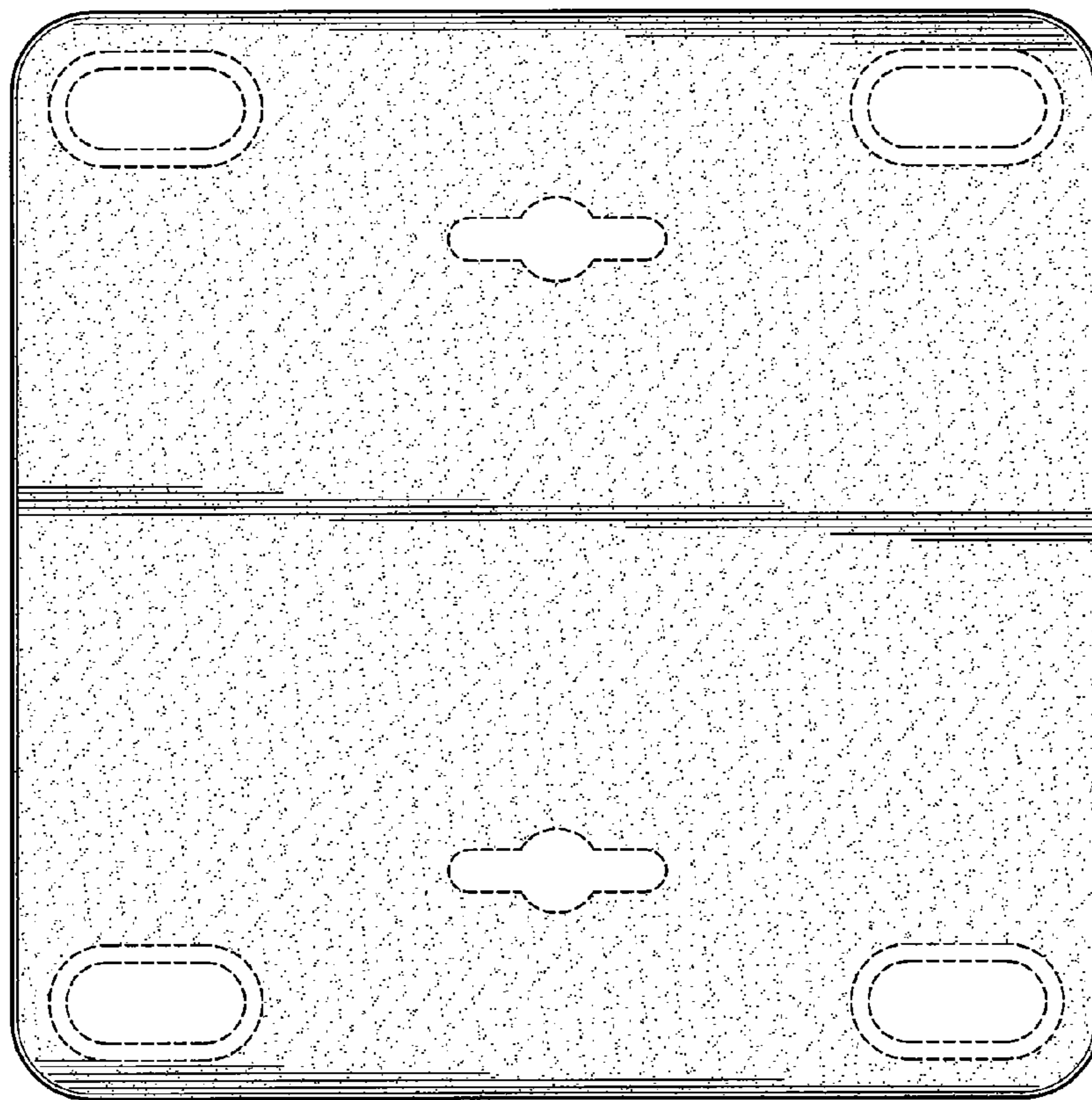


FIG. 7