



US00D686197S

(12) **United States Design Patent**
Kurtz et al.

(10) **Patent No.:** **US D686,197 S**

(45) **Date of Patent:** **** Jul. 16, 2013**

(54) **COVER FOR EARBUDS**

(76) Inventors: **Jon Robert Kurtz**, New York, NY (US);
Bruce C. Nemece, Madison, WI (US);
Jason R. Rohr, Palmyra, WI (US)

(**) Term: **14 Years**

(21) Appl. No.: **29/414,042**

(22) Filed: **Feb. 23, 2012**

(51) **LOC (9) Cl.** **14-01**

(52) **U.S. Cl.**
USPC **D14/223**

(58) **Field of Classification Search**
USPC D14/205, 206, 223; 181/129, 130,
181/135; 379/430, 420.04; 381/328, 382,
381/380, 381; D24/106, 174; 128/864, 865;
455/90.3, 575.1

See application file for complete search history.

(56) **References Cited**

U.S. PATENT DOCUMENTS

3,934,100	A *	1/1976	Harada	181/135
D267,429	S *	12/1982	Harada	D24/174
4,375,016	A *	2/1983	Harada	181/135
D449,592	S *	10/2001	Koss et al.	D14/223
6,690,807	B1 *	2/2004	Meyer	381/327
6,704,429	B2 *	3/2004	Lin	381/380
D514,094	S *	1/2006	Griffin	D14/223
7,289,640	B2 *	10/2007	Tsai et al.	381/380
D556,326	S *	11/2007	Espersen	D24/174
D589,151	S *	3/2009	Sabio	D24/174
7,778,434	B2 *	8/2010	Juneau et al.	381/328
D632,282	S *	2/2011	Kitayama	D14/223
7,965,855	B1 *	6/2011	Ham	381/380
D643,415	S *	8/2011	Vasquez	D14/223

8,116,495	B2 *	2/2012	Spaulding	381/328
8,175,308	B2 *	5/2012	Olsen et al.	381/328
8,233,652	B2 *	7/2012	Jorgensen et al.	381/322
D668,637	S *	10/2012	Kitayama	D14/223
D676,415	S *	2/2013	Erdel et al.	D14/205

* cited by examiner

Primary Examiner — Paula Greene

(74) *Attorney, Agent, or Firm* — The Hecker Law Group, PLC

(57) **CLAIM**

The ornamental design for a cover for earbuds, as shown and described.

DESCRIPTION

FIG. 1 is a perspective view of a cover for earbuds showing our new design,

FIG. 2 is a front view of the cover for earbuds of FIG. 1.

FIG. 3 is a right side view of the cover for earbuds of FIG. 1.

FIG. 4 is a left side view of the cover for earbuds of FIG. 1.

FIG. 5 is a top view of the cover for earbuds of FIG. 1.

FIG. 6 is a bottom view of the cover for earbuds of FIG. 1.

FIG. 7 is a rear view of the cover for earbuds of FIG. 1.

FIG. 8 is a perspective view of a second embodiment of a cover for earbuds showing our new design;

FIG. 9 is a front view of the cover for earbuds of FIG. 8.

FIG. 10 is a right side view of the cover for earbuds of FIG. 8.

FIG. 11 is a left side view of the cover for earbuds of FIG. 8.

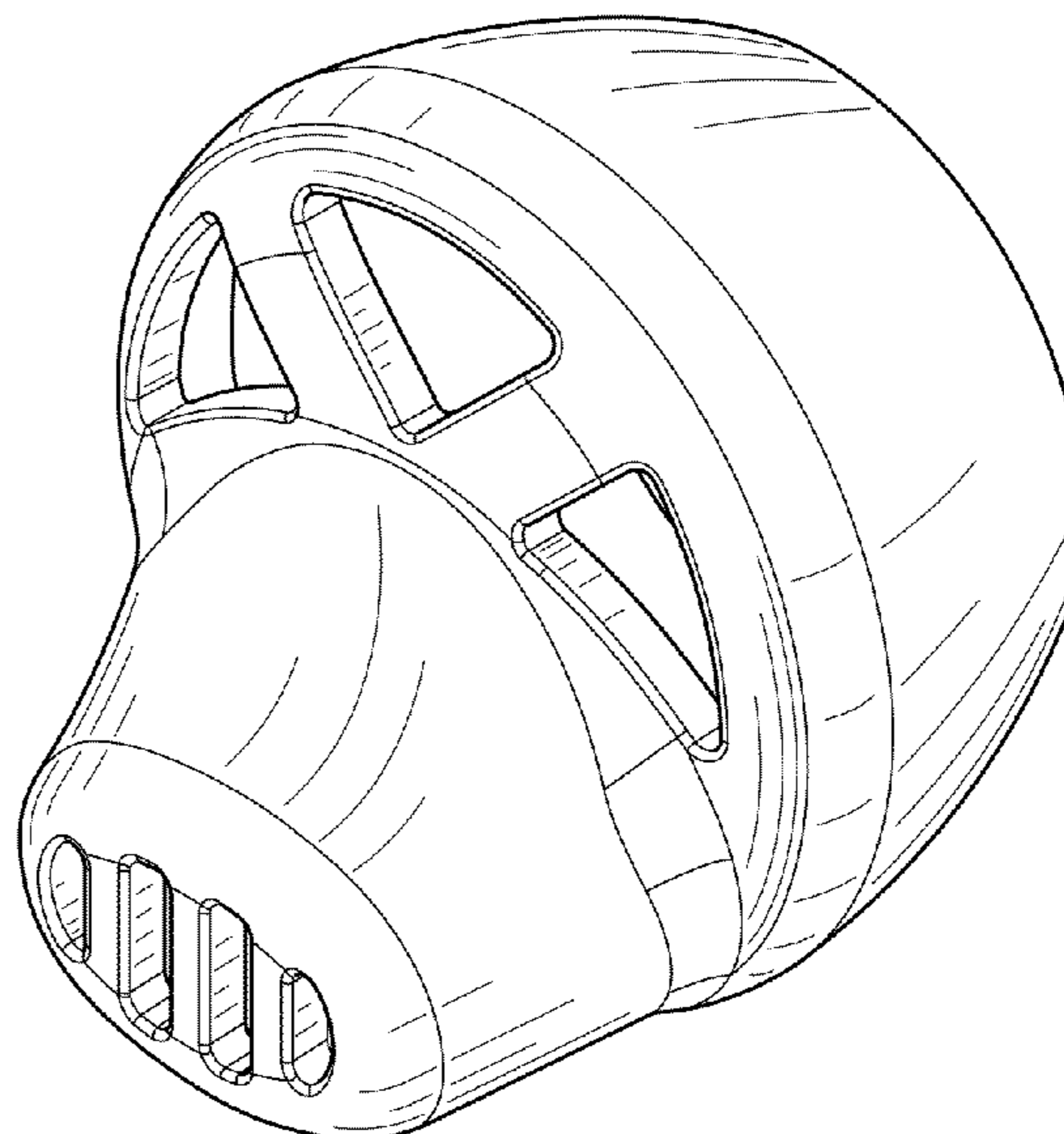
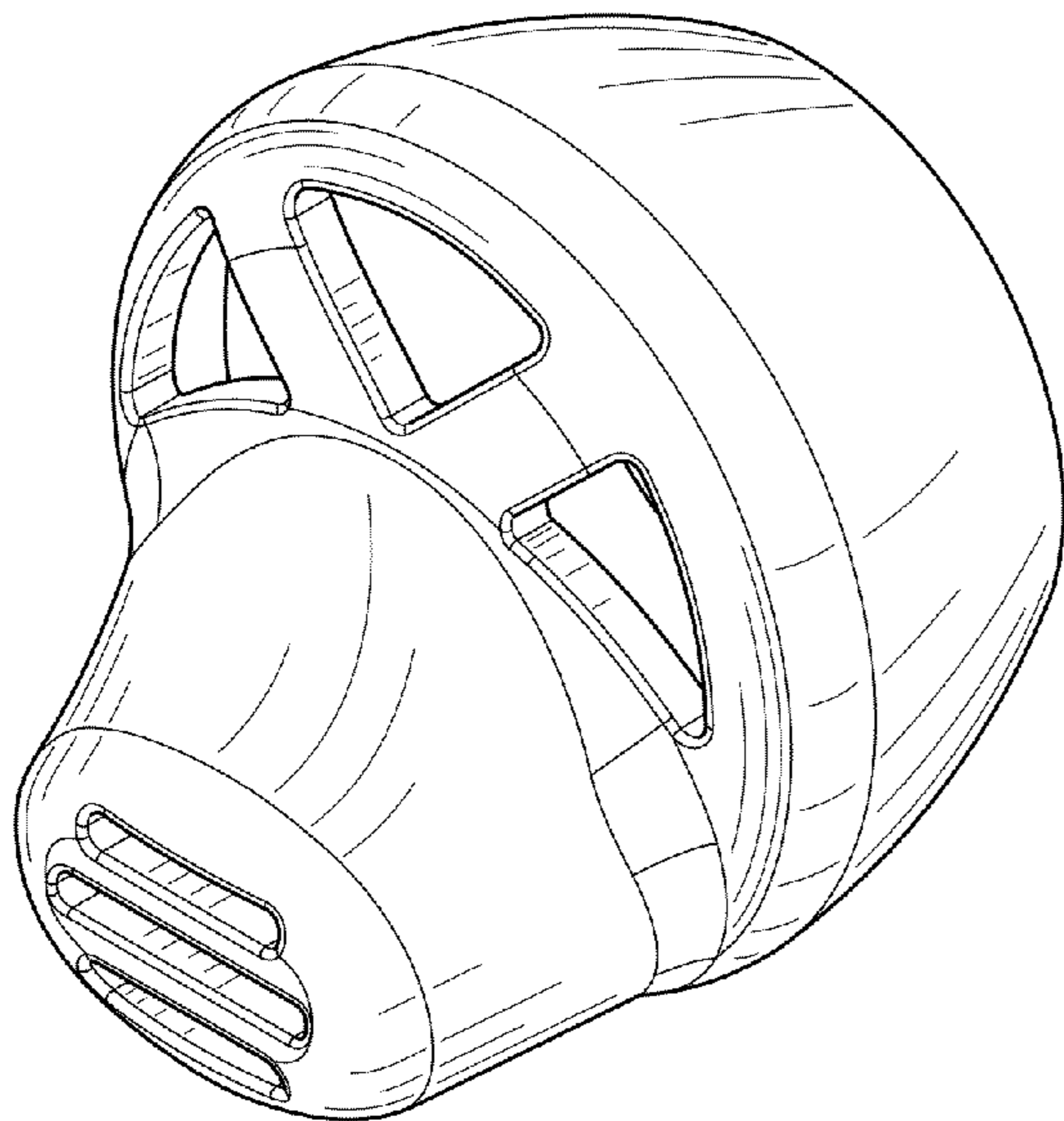
FIG. 12 is a top view of the cover for earbuds of FIG. 8.

FIG. 13 is a bottom view of the cover for earbuds of FIG. 8; and,

FIG. 14 is a rear view of the cover for earbuds of FIG. 8.

The broken lines form no part of the claimed design.

1 Claim, 14 Drawing Sheets



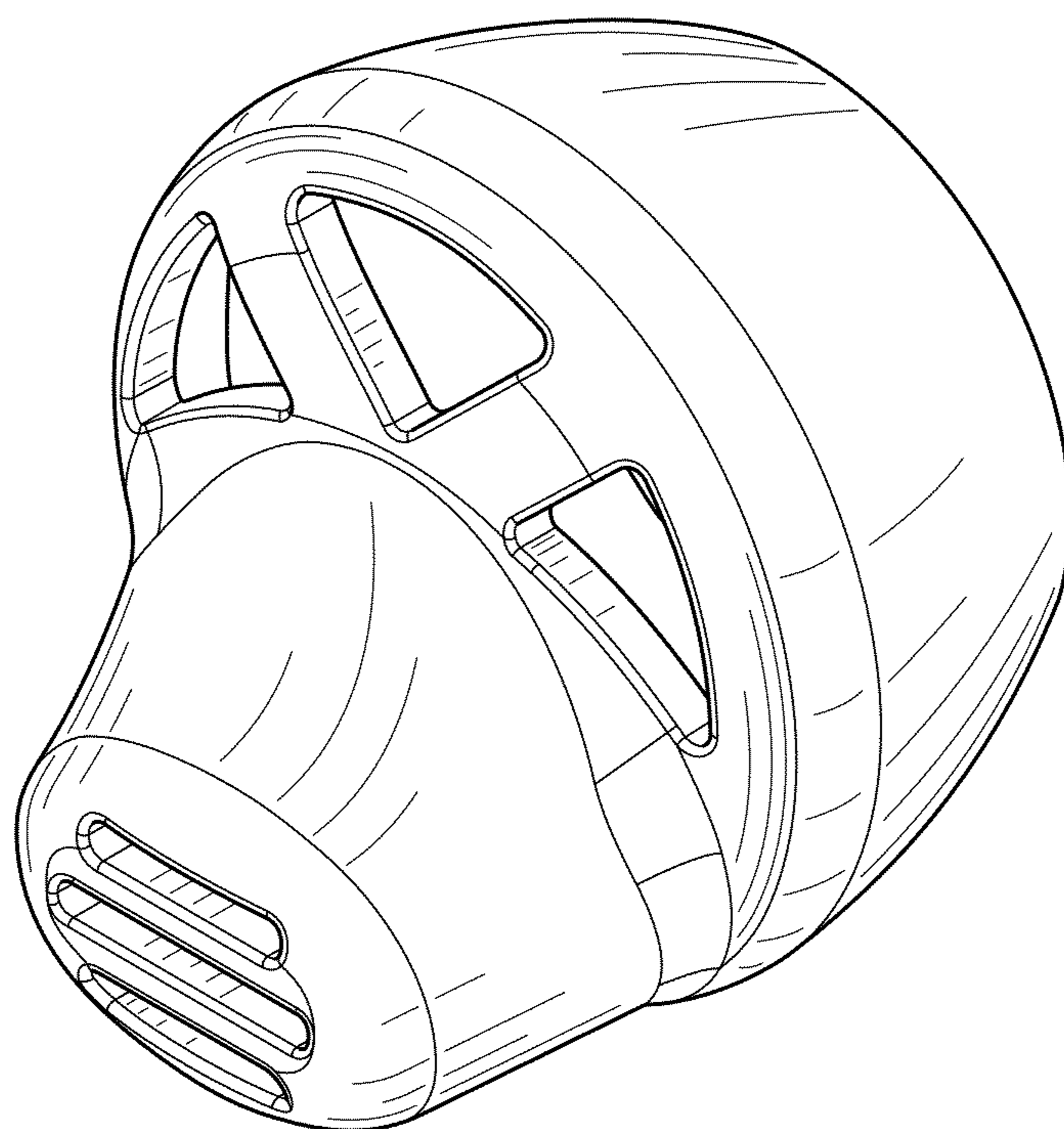


FIG. 1

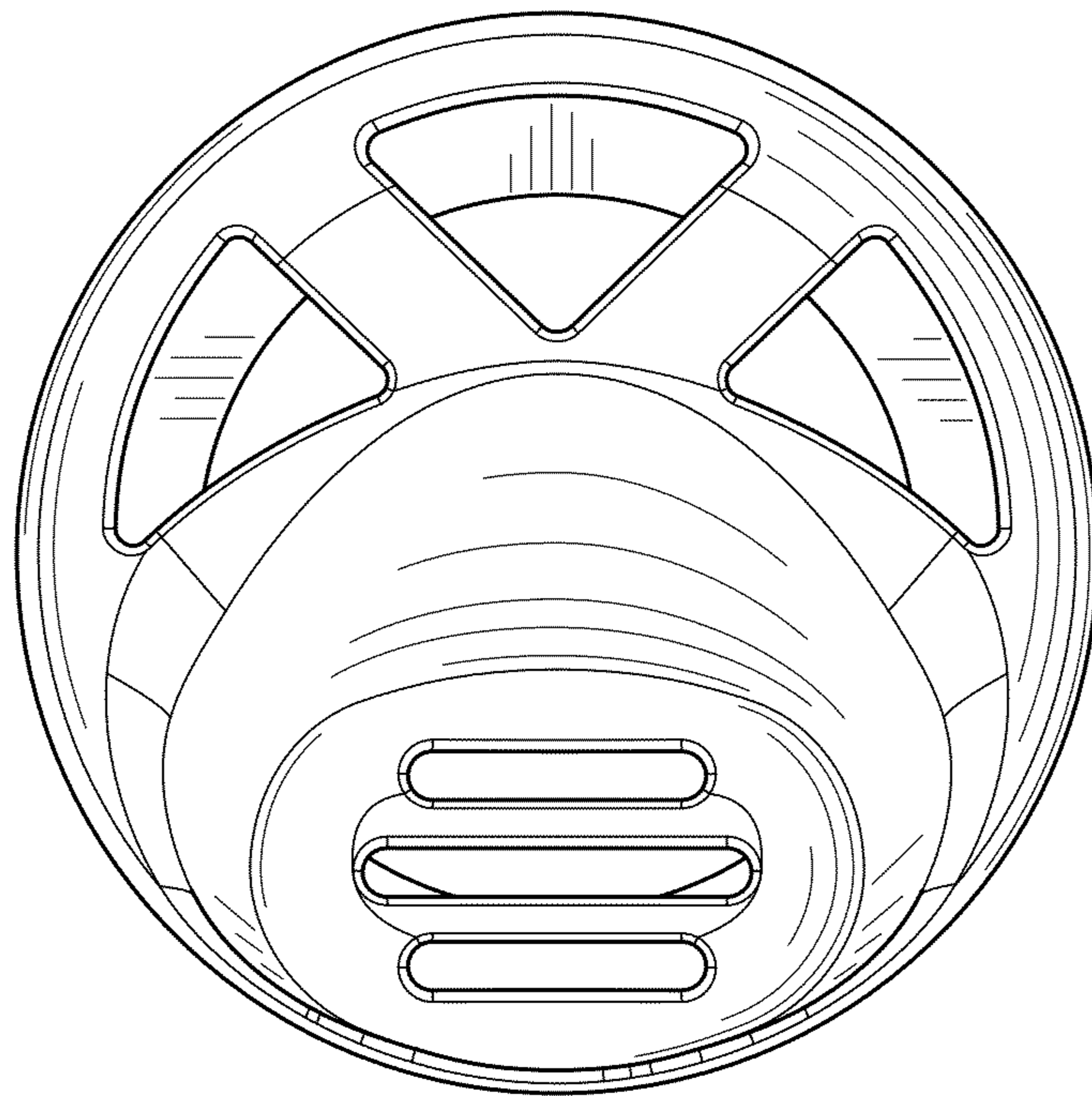


FIG. 2

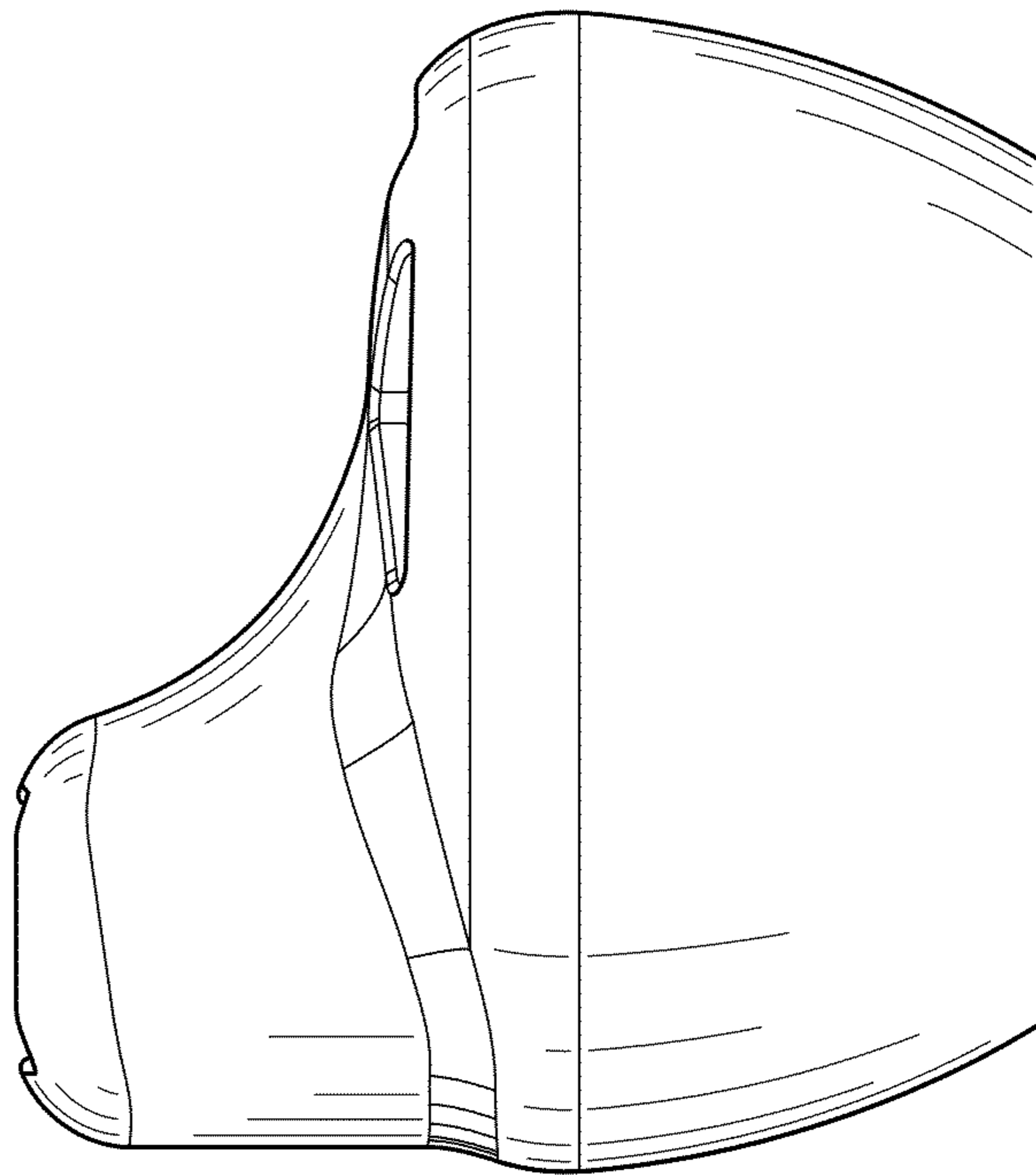


FIG. 3

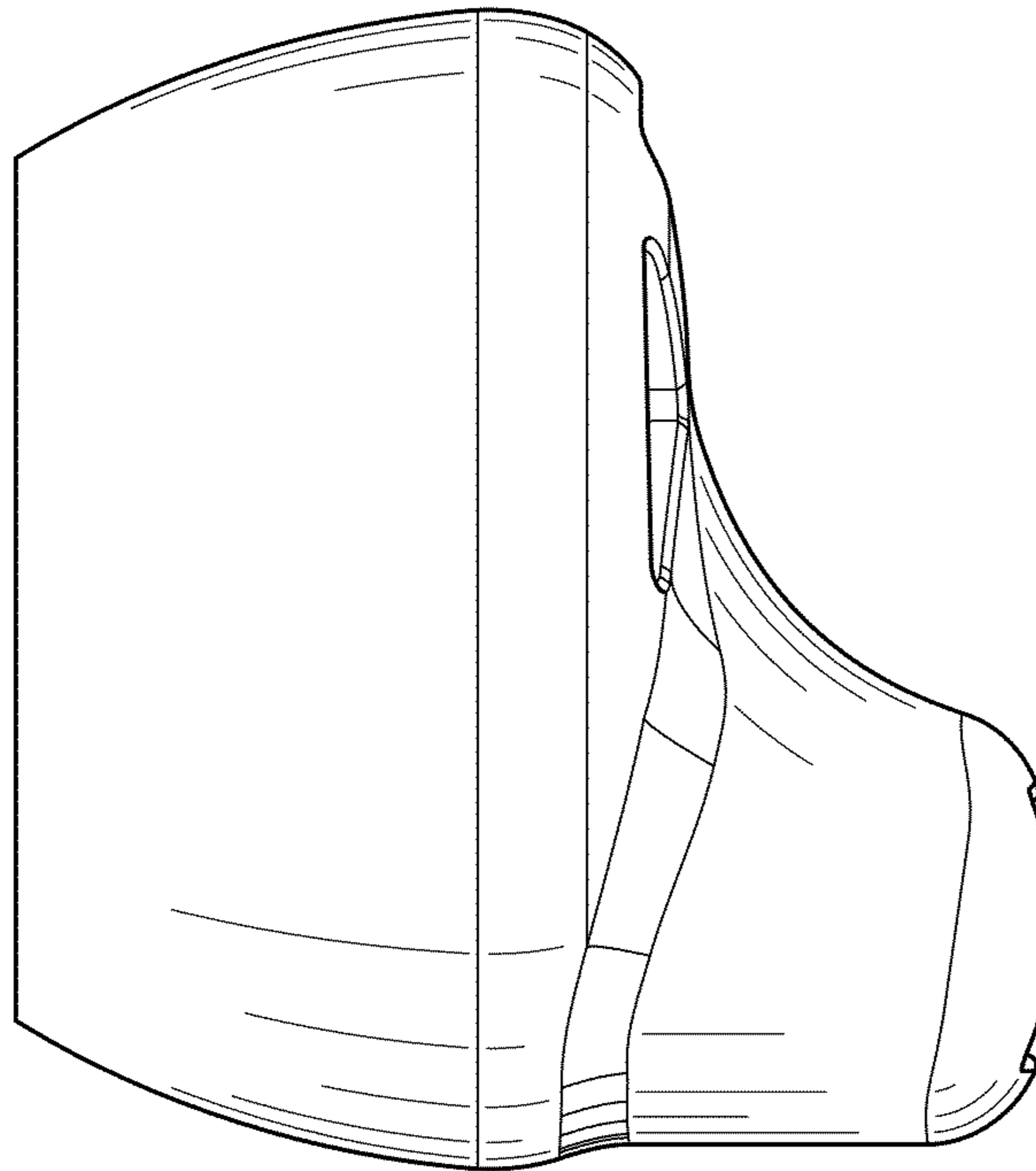


FIG. 4

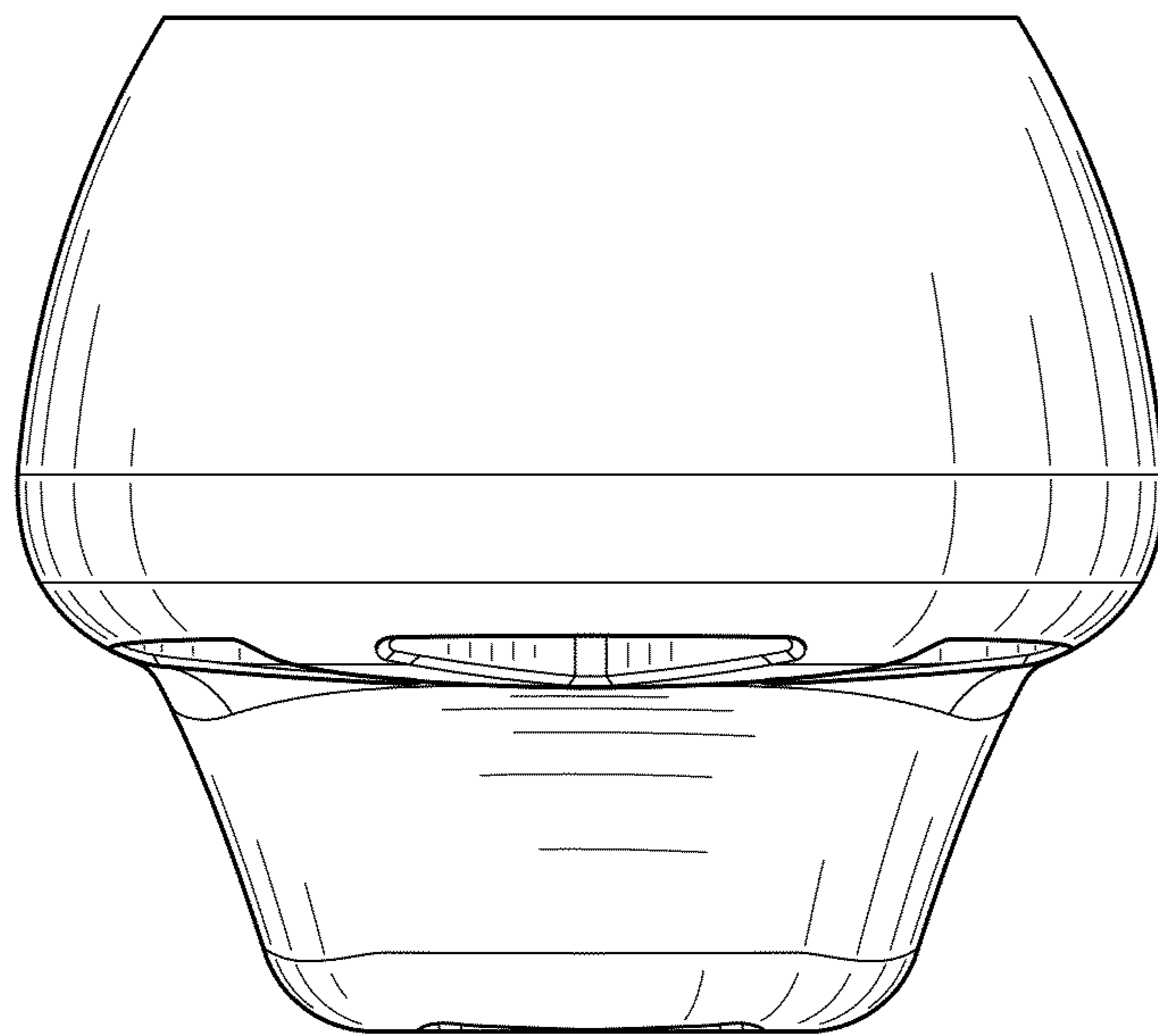


FIG. 5

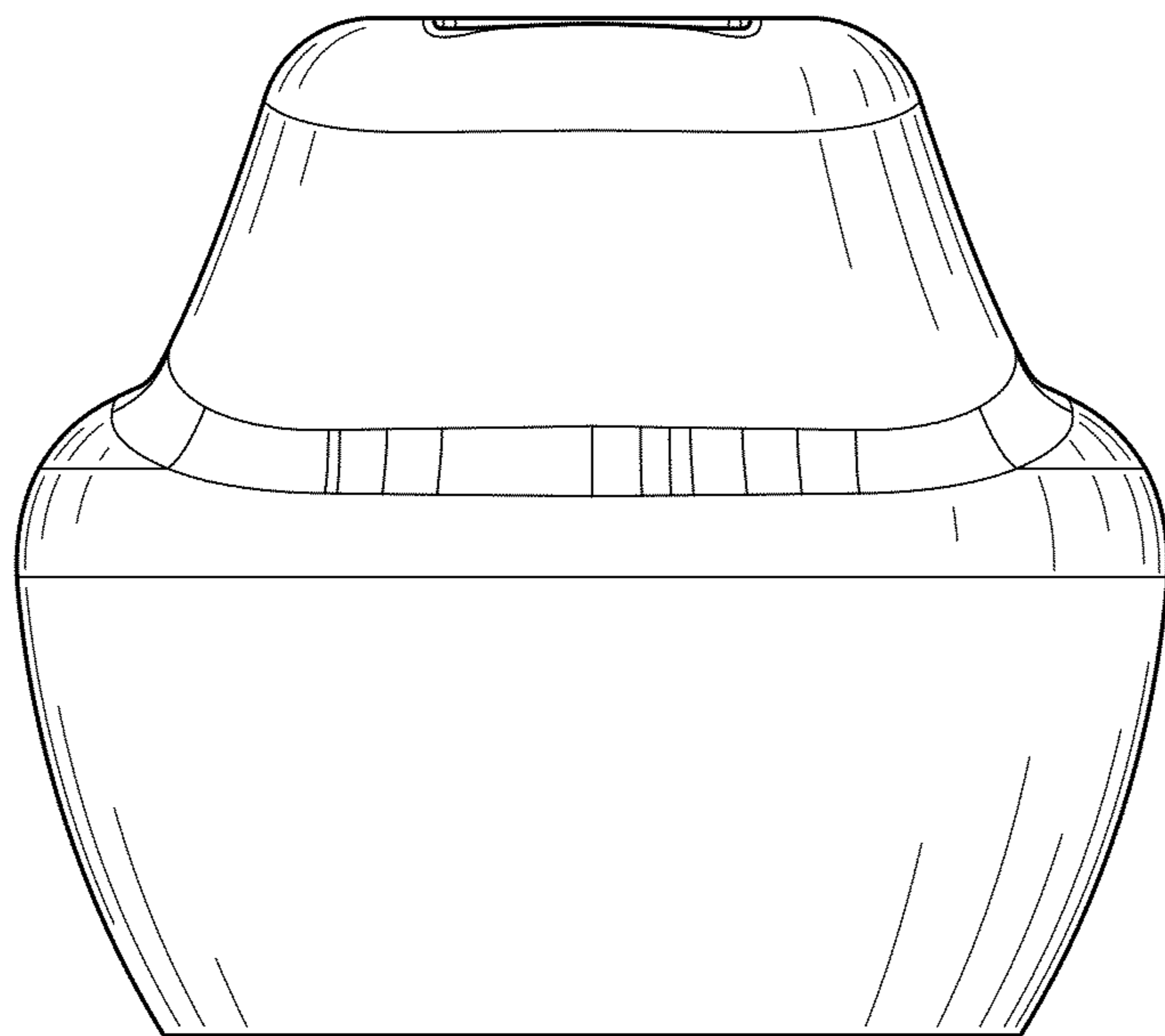


FIG. 6

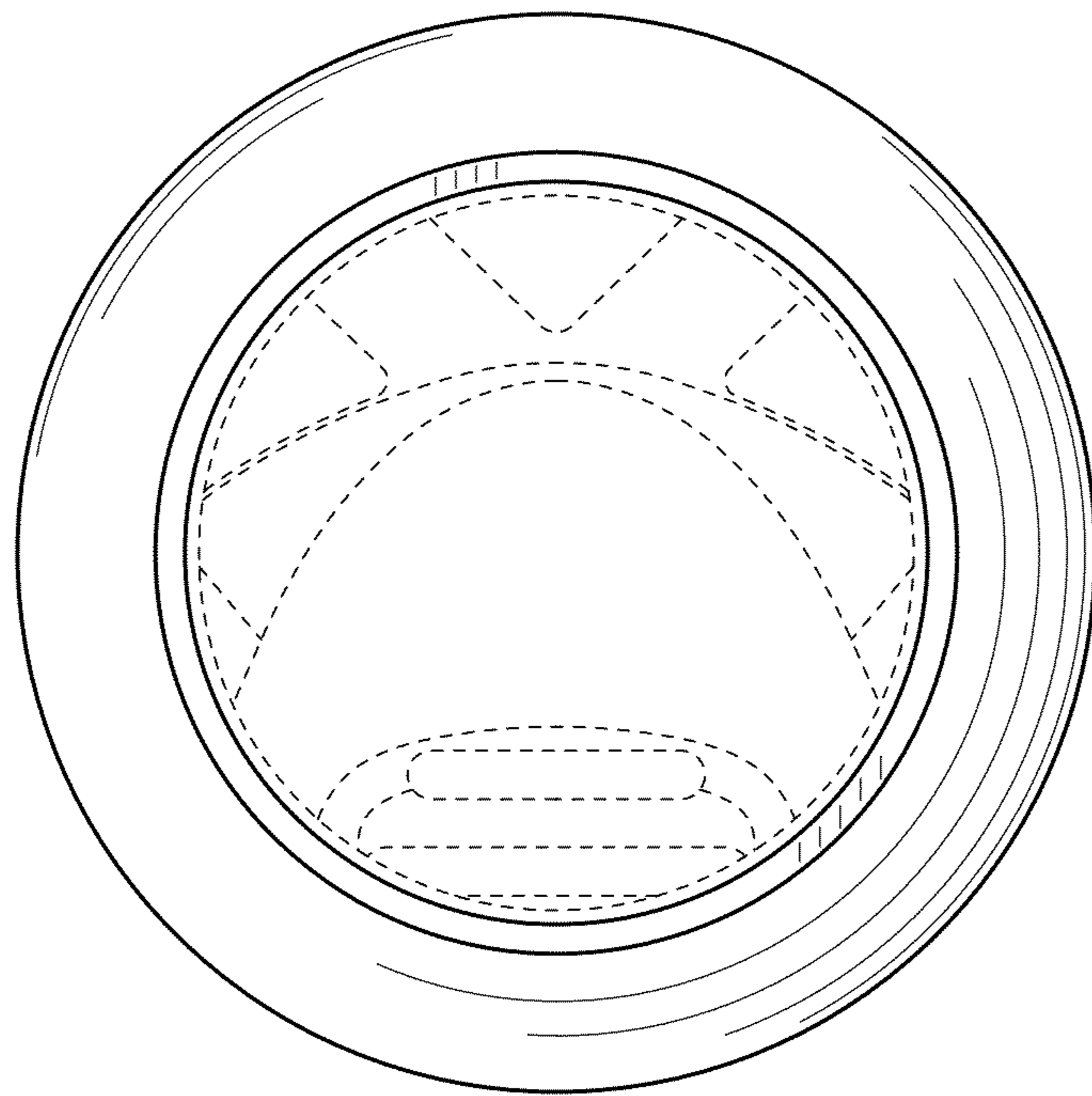


FIG. 7

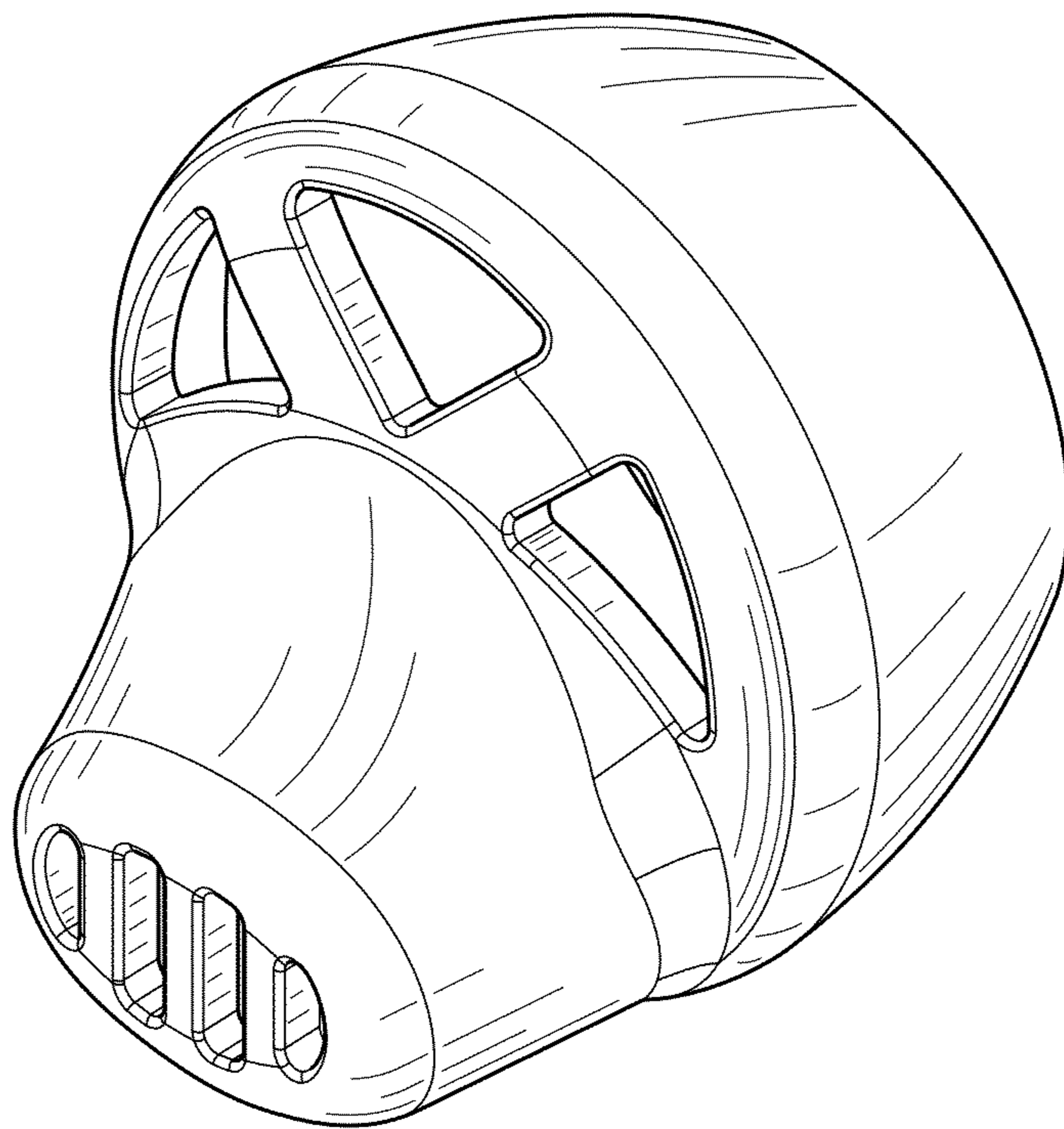


FIG. 8

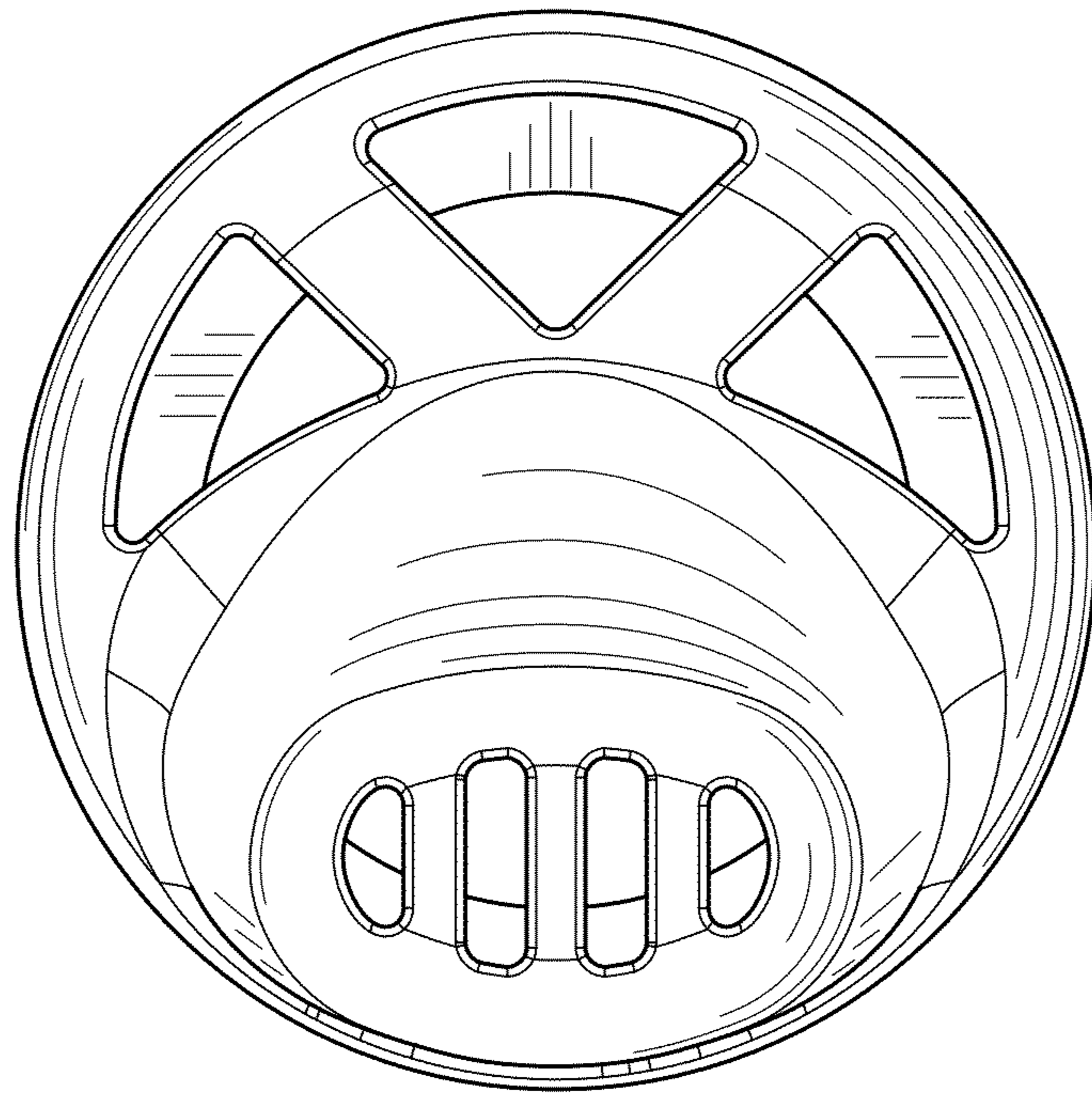


FIG. 9

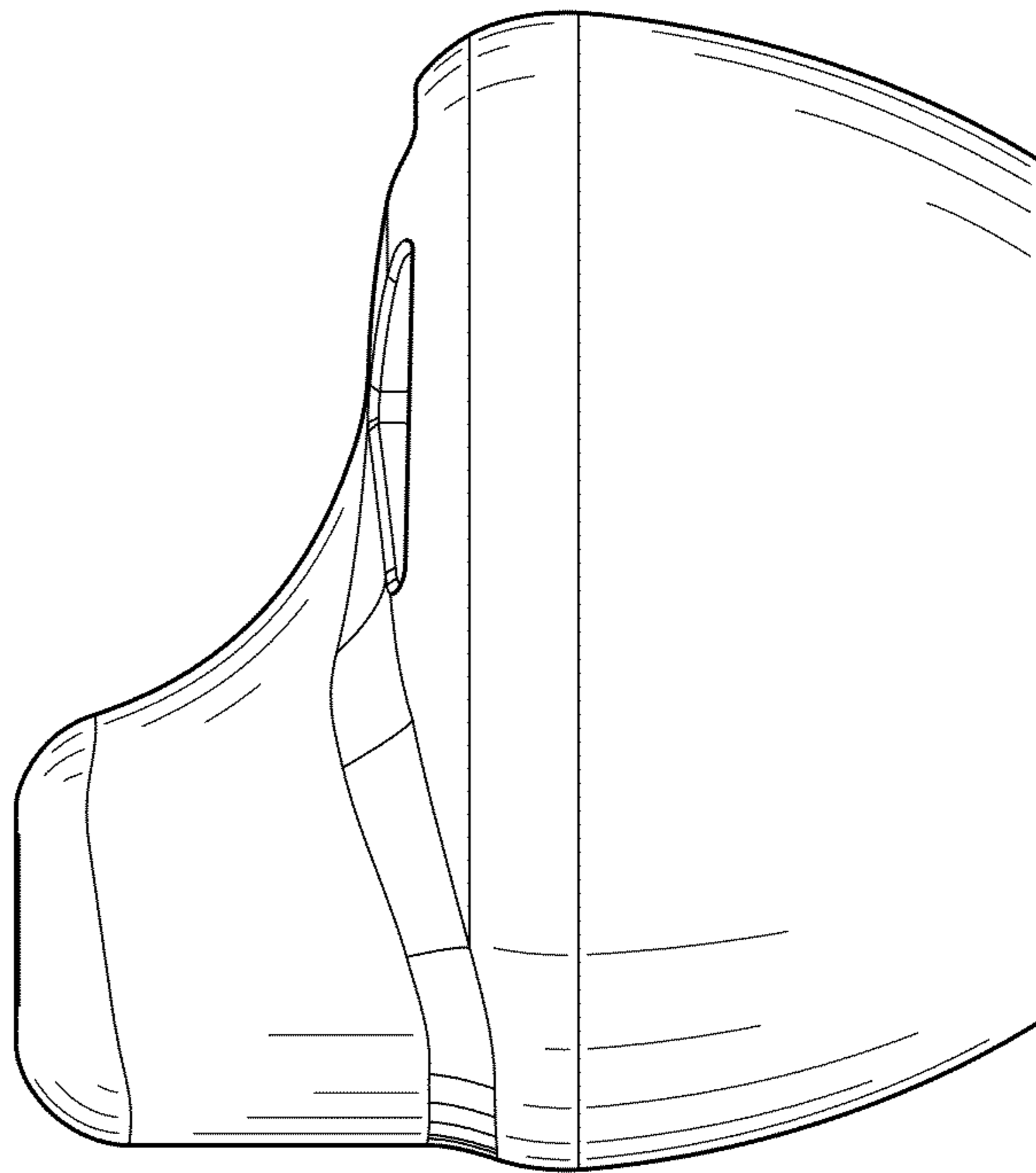


FIG. 10

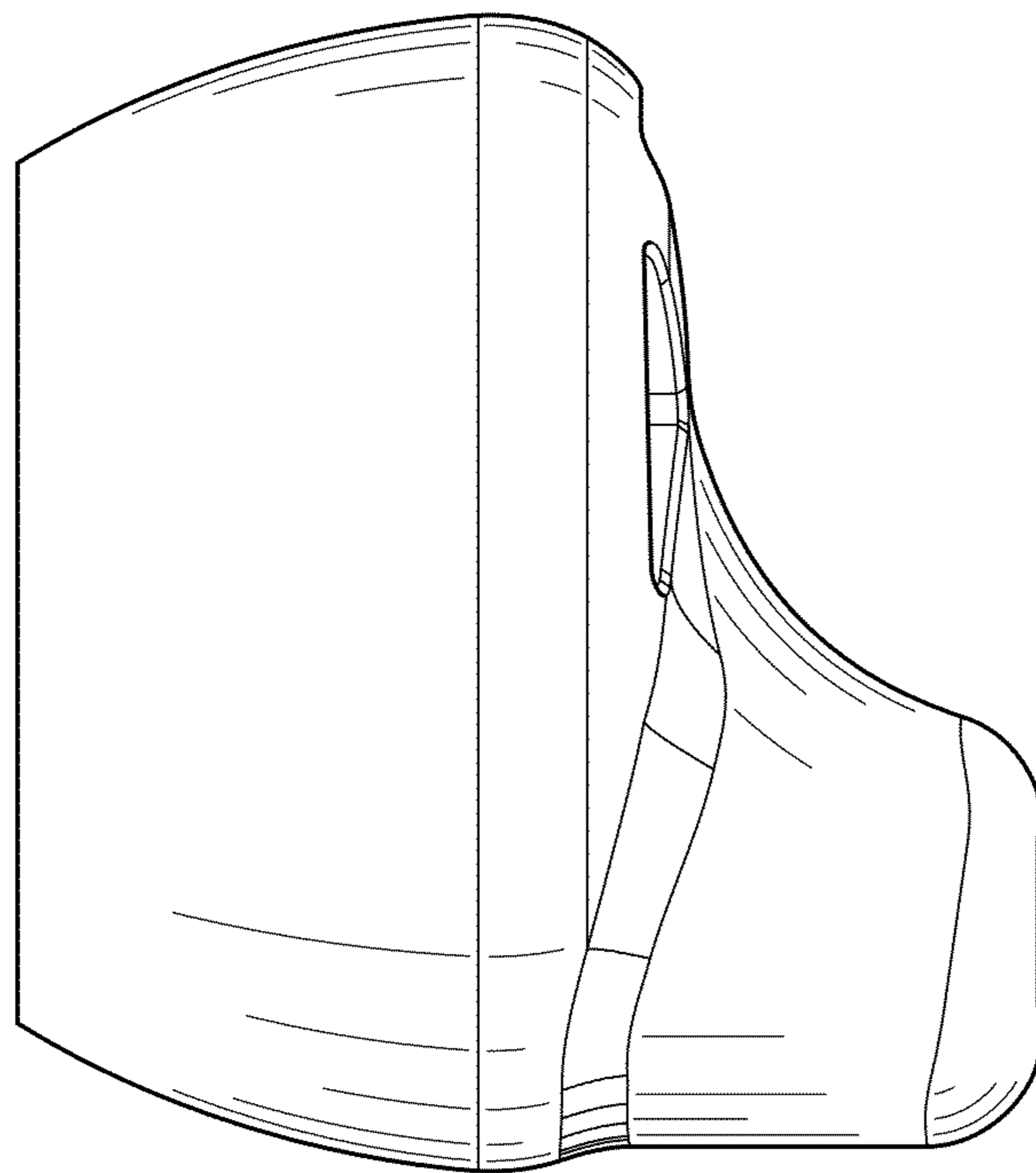


FIG. 11

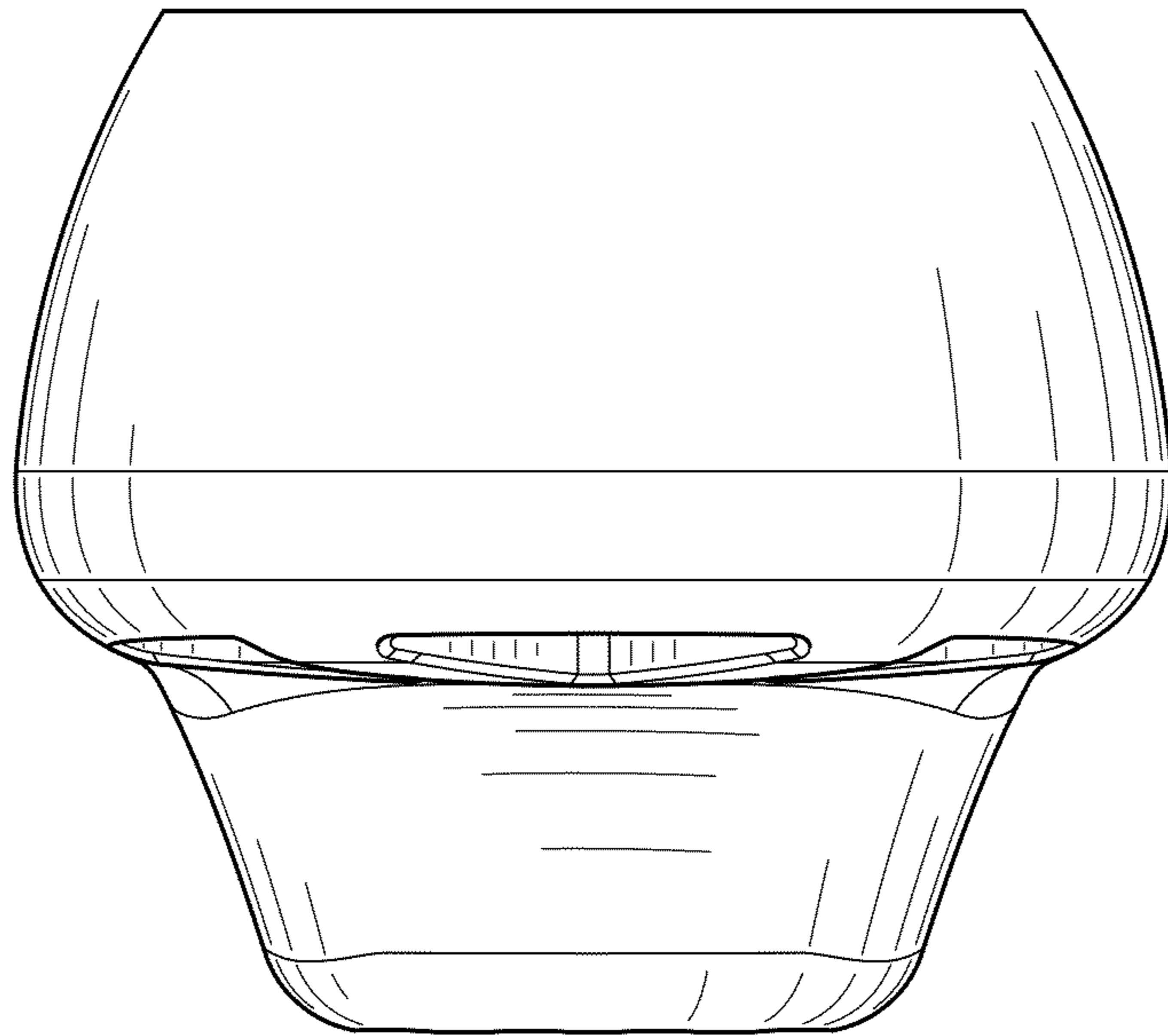


FIG. 12

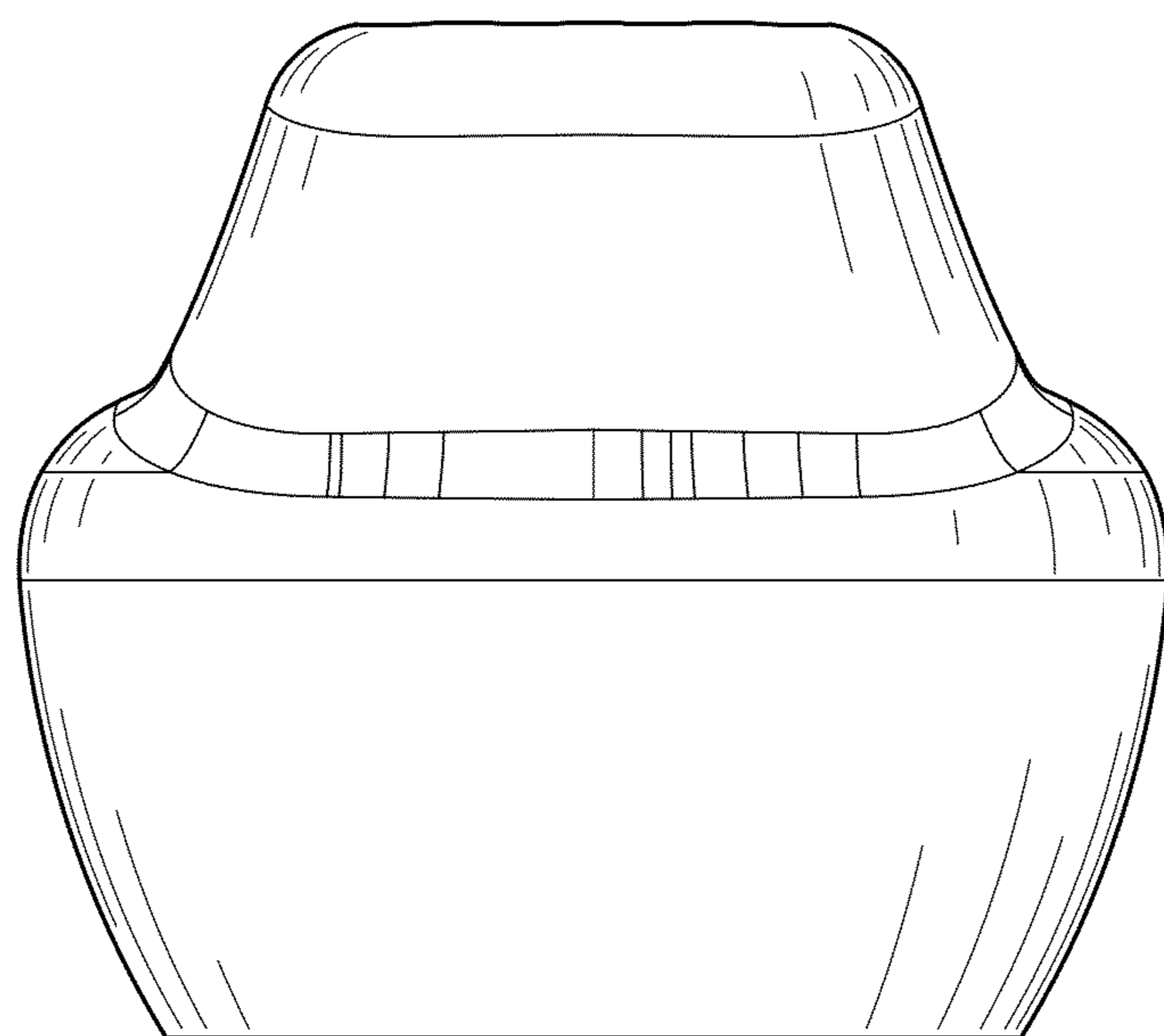


FIG. 13

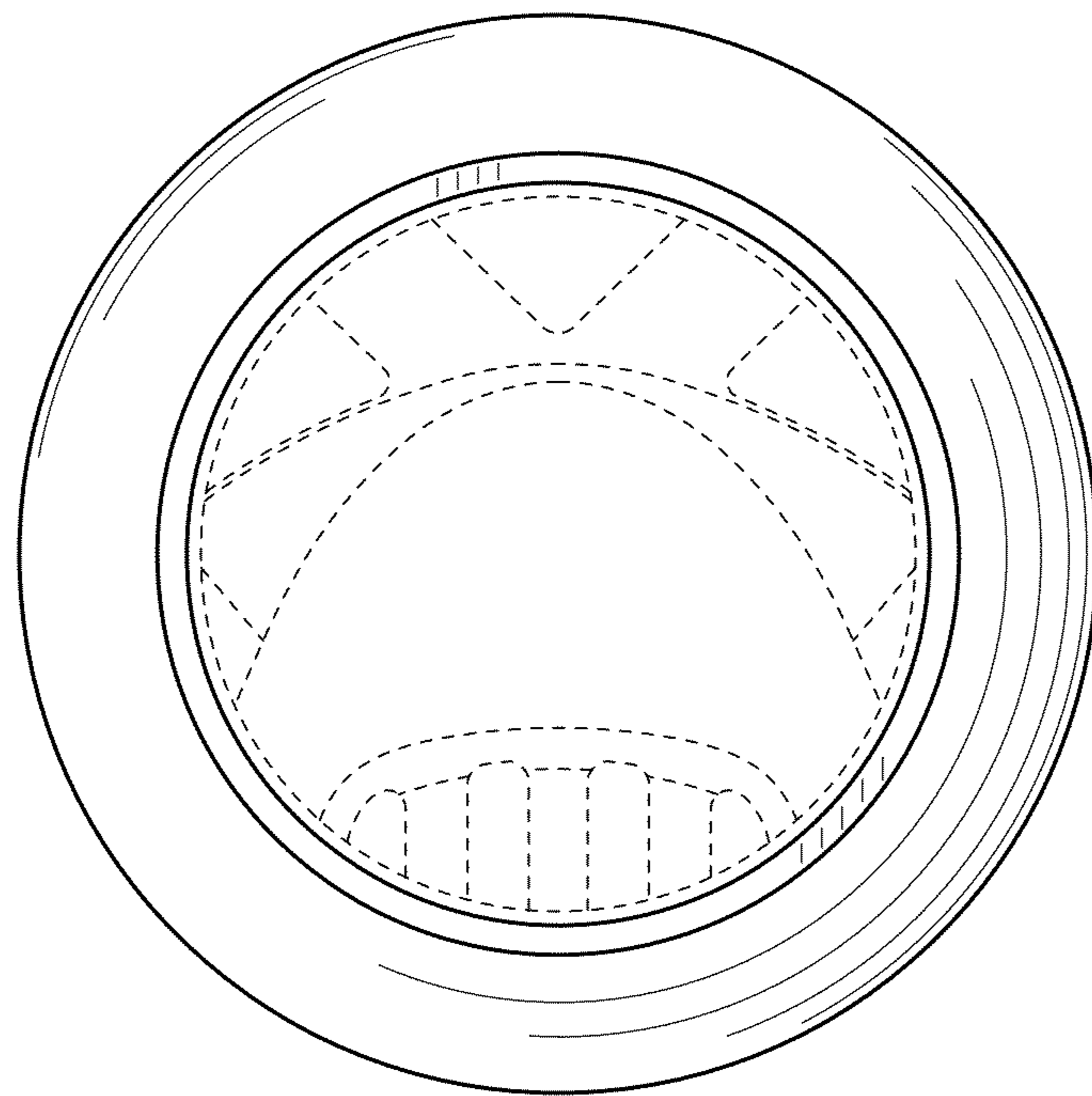


FIG. 14