



US00D686196S

(12) **United States Design Patent**
Lee et al.

(10) **Patent No.:** **US D686,196 S**
(45) **Date of Patent:** **** Jul. 16, 2013**

(54) **HEADPHONE**

(75) Inventors: **Noel Lee**, Las Vegas, NV (US); **Sin Yee Fung**, Hong Kong (HK)

(73) Assignee: **Monster, LLC**, Las Vegas, NV (US)

(**) Term: **14 Years**

(21) Appl. No.: **29/410,651**

(22) Filed: **Jan. 10, 2012**

(51) **LOC (9) Cl.** **14-01**

(52) **U.S. Cl.**
USPC **D14/223**

(58) **Field of Classification Search**
USPC D14/223, 206, 205; 181/129, 130,
181/135; 379/430, 431; 381/380, 381, 370,
381/374, 375; 455/90.3, 575.2
See application file for complete search history.

(56) **References Cited**

U.S. PATENT DOCUMENTS

D375,959 S *	11/1996	Davis et al.	D14/223
6,868,164 B2 *	3/2005	Ito et al.	381/370
7,231,056 B2 *	6/2007	Chen	381/381
D575,772 S *	8/2008	Schultz et al.	D14/223
D593,075 S *	5/2009	Williams et al.	D14/223
D594,441 S	6/2009	Lee et al.		
D597,084 S *	7/2009	Gondo	D14/223
D598,901 S	8/2009	Lee et al.		
D599,781 S	9/2009	Lee et al.		
D600,675 S	9/2009	Lee et al.		
D603,847 S *	11/2009	Chung	D14/223
D606,048 S *	12/2009	Soetejo et al.	D14/223
7,708,110 B2 *	5/2010	Leong et al.	181/135

D618,669 S *	6/2010	Johnson et al.	D14/223
D624,529 S *	9/2010	Huang	D14/223
D635,960 S *	4/2011	Gondo et al.	D14/223
D637,182 S	5/2011	Lee et al.		
D641,008 S	7/2011	Lee et al.		
D642,163 S	7/2011	Lee et al.		
D643,417 S	7/2011	Lee et al.		
D643,418 S	8/2011	Lee et al.		
D643,833 S	8/2011	Lee et al.		
D645,454 S *	9/2011	Quek	D14/223

* cited by examiner

Primary Examiner — Paula Greene

(74) *Attorney, Agent, or Firm* — LaRiviere, Grubman & Payne, LLP

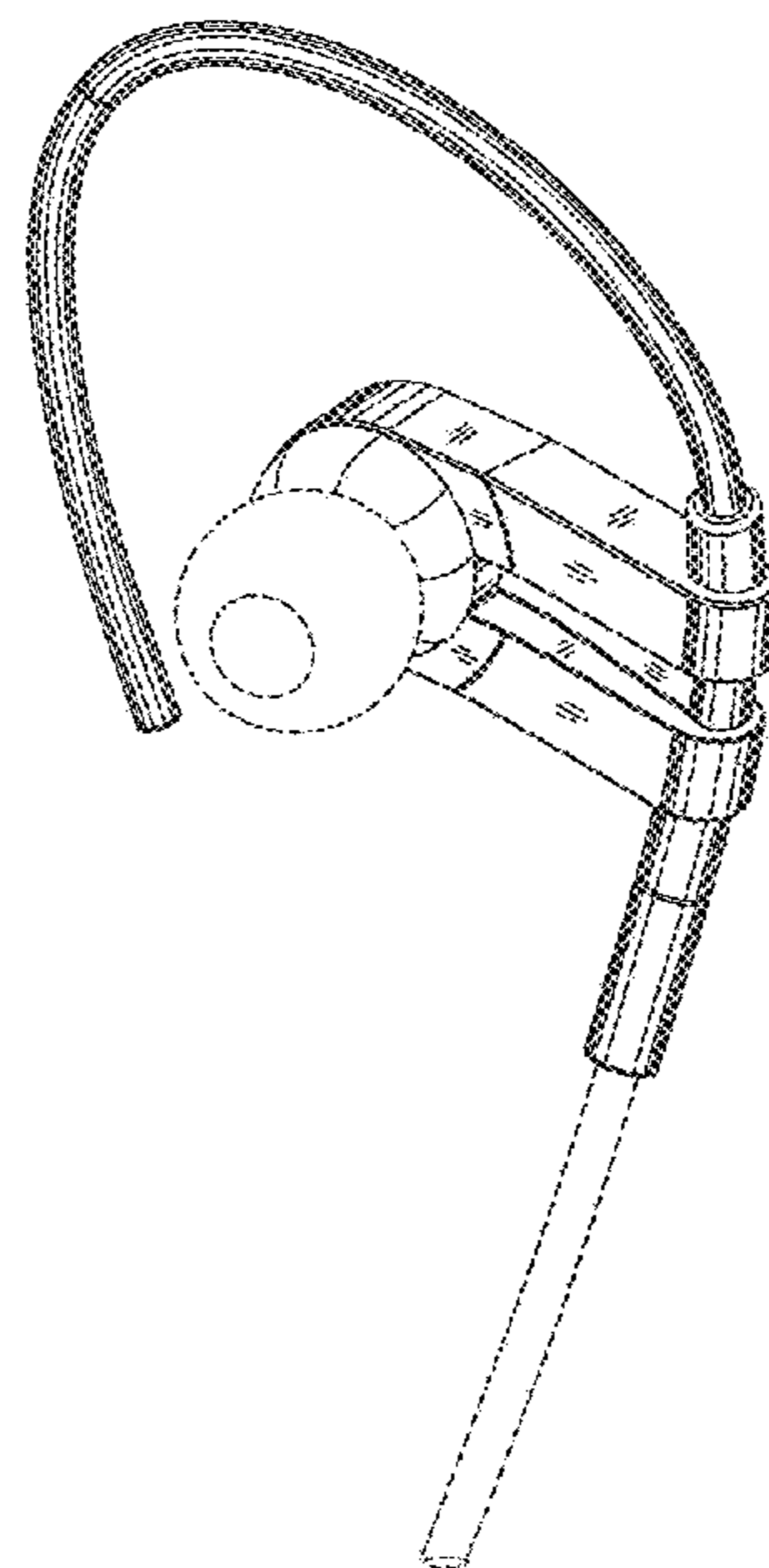
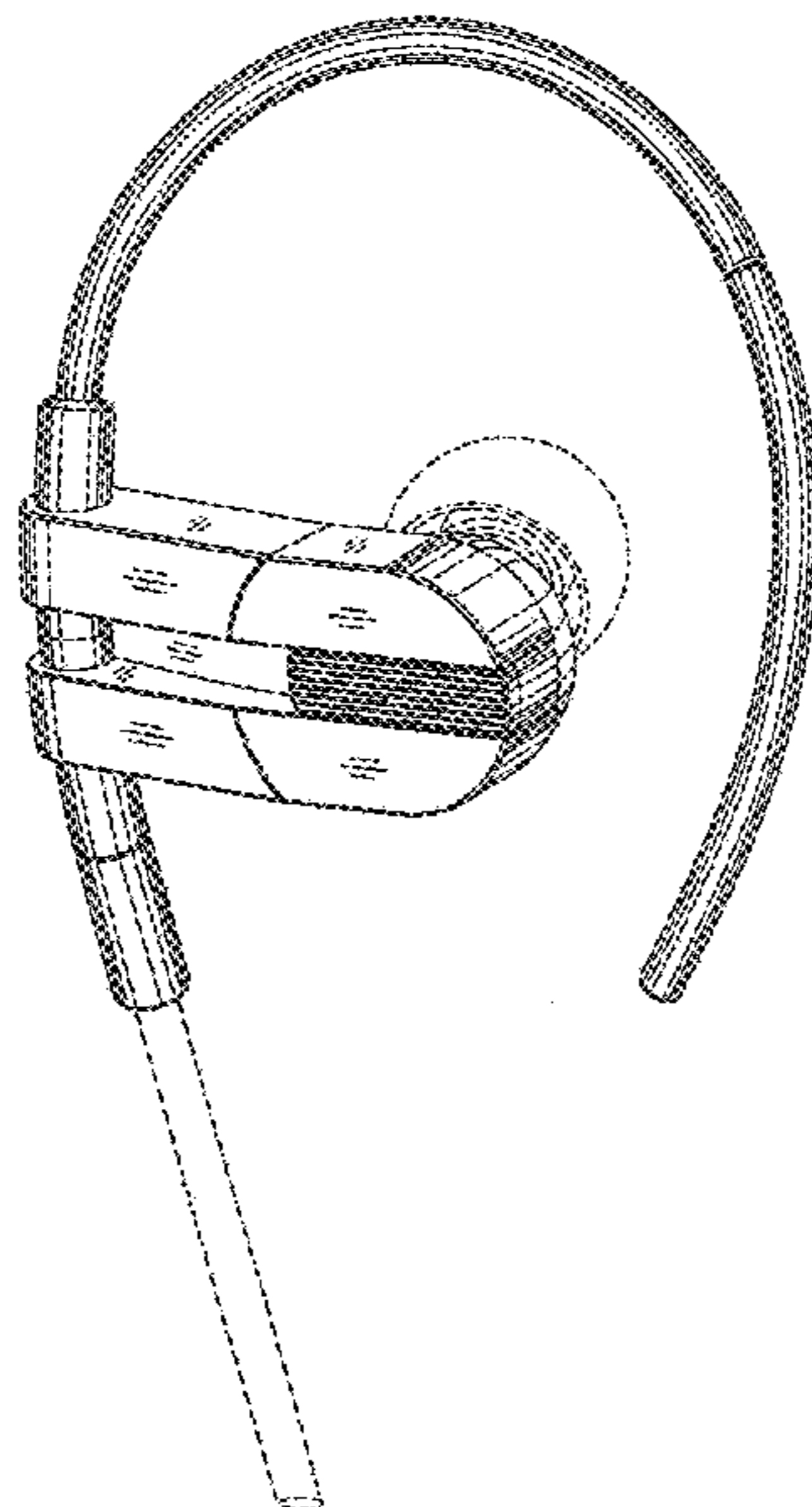
(57) **CLAIM**

The ornamental design for a headphone, as shown and described.

DESCRIPTION

FIG. 1 is a perspective view of a headphone, showing our design;
FIG. 2 is an opposing perspective thereof;
FIG. 3 is front view thereof;
FIG. 4 is a rear view thereof;
FIG. 5 is a side view thereof;
FIG. 6 is an opposing side view thereof;
FIG. 7 is a top view thereof; and,
FIG. 8 is a bottom view thereof.
The broken lines showing the environment are for illustrative purposes only and form no part of the claimed design.

1 Claim, 4 Drawing Sheets



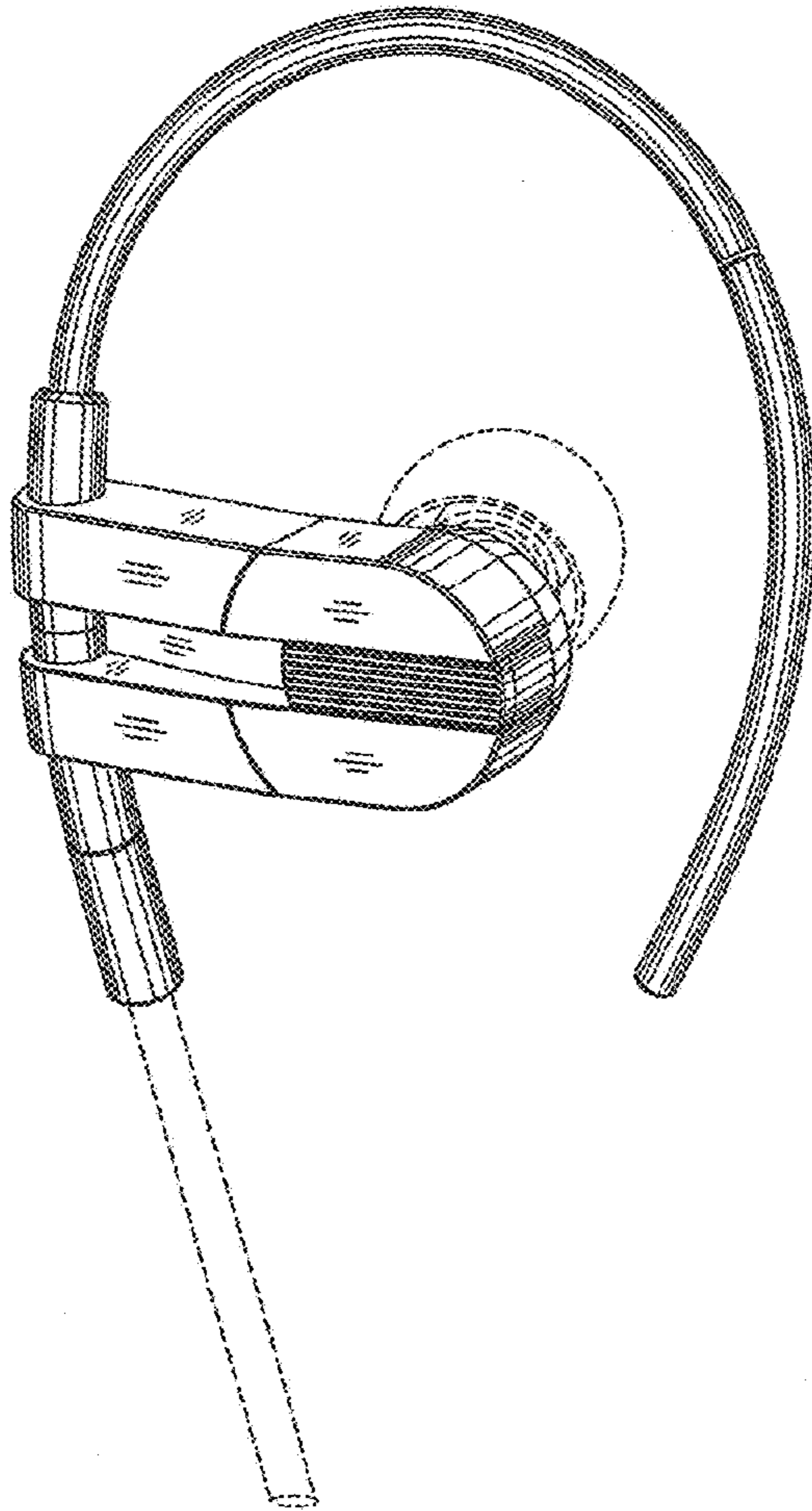


FIG. 1

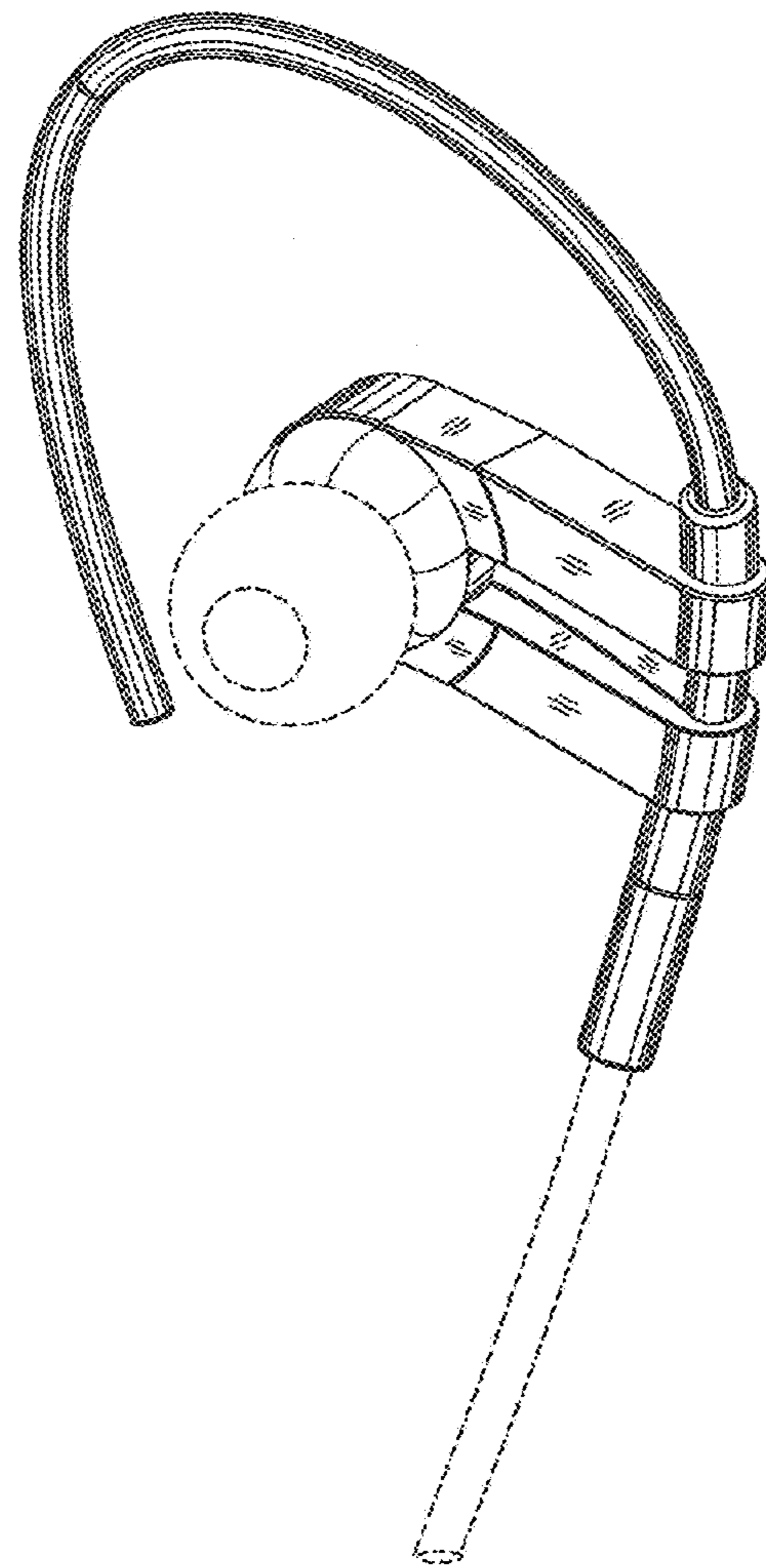


FIG. 2

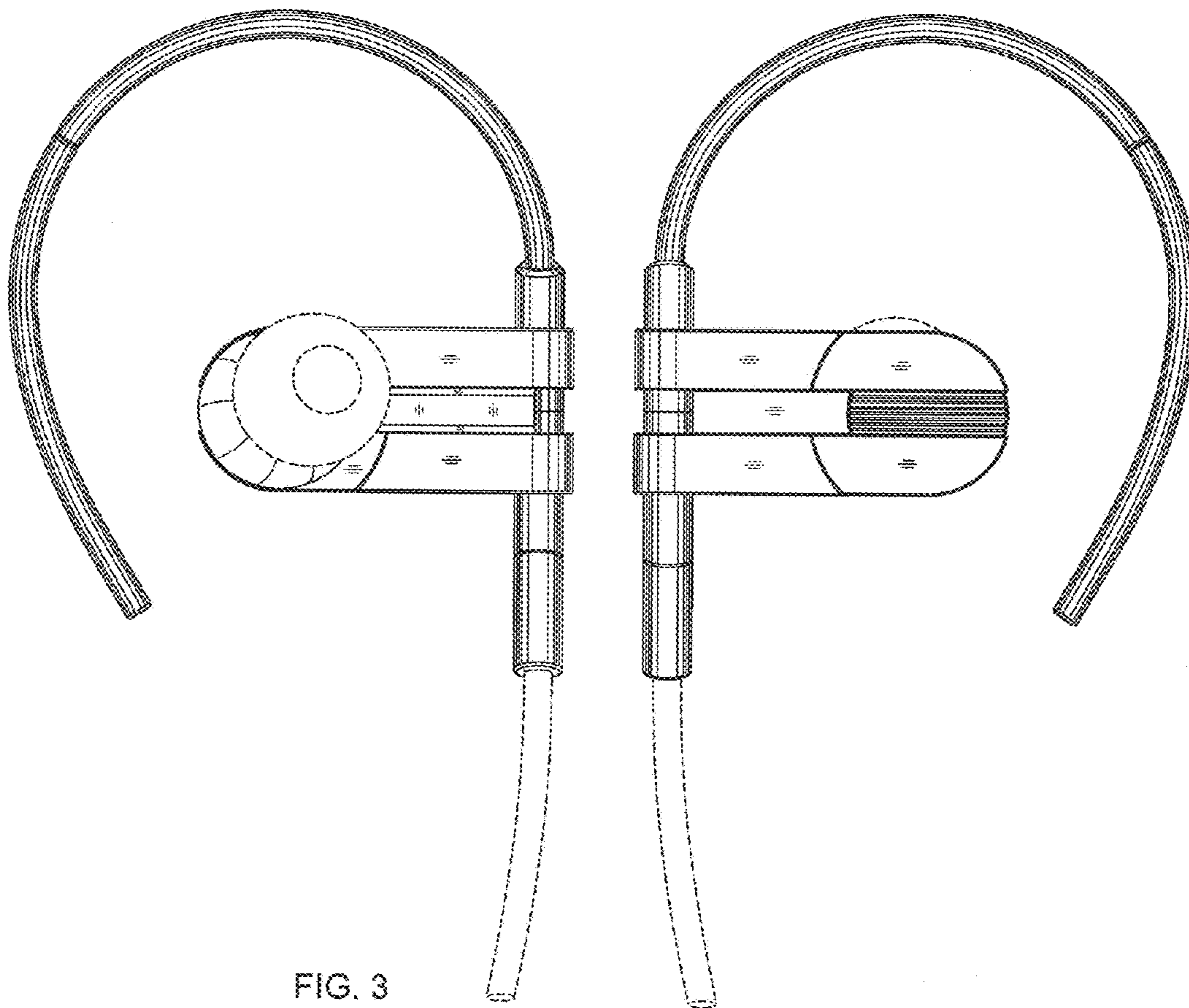


FIG. 3

FIG. 4

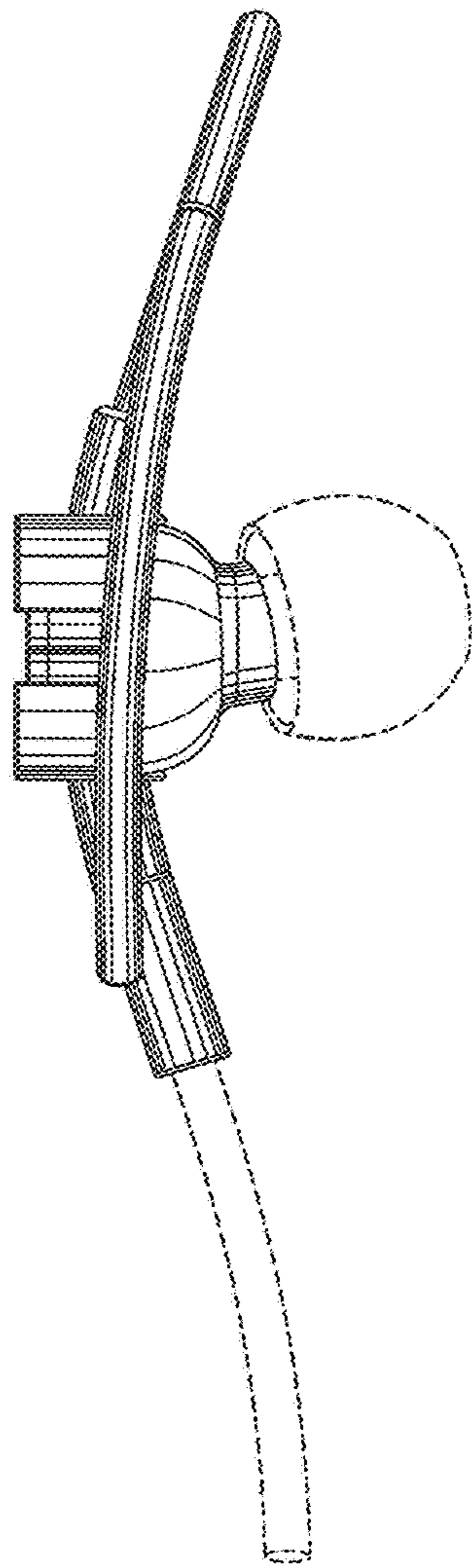


FIG. 5

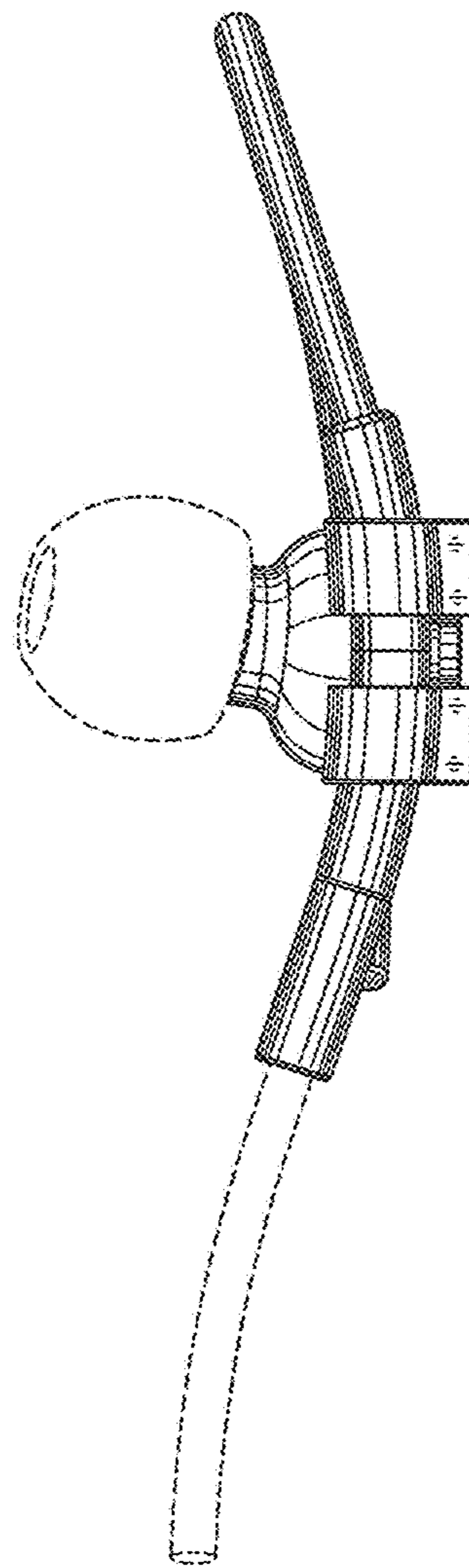


FIG. 6

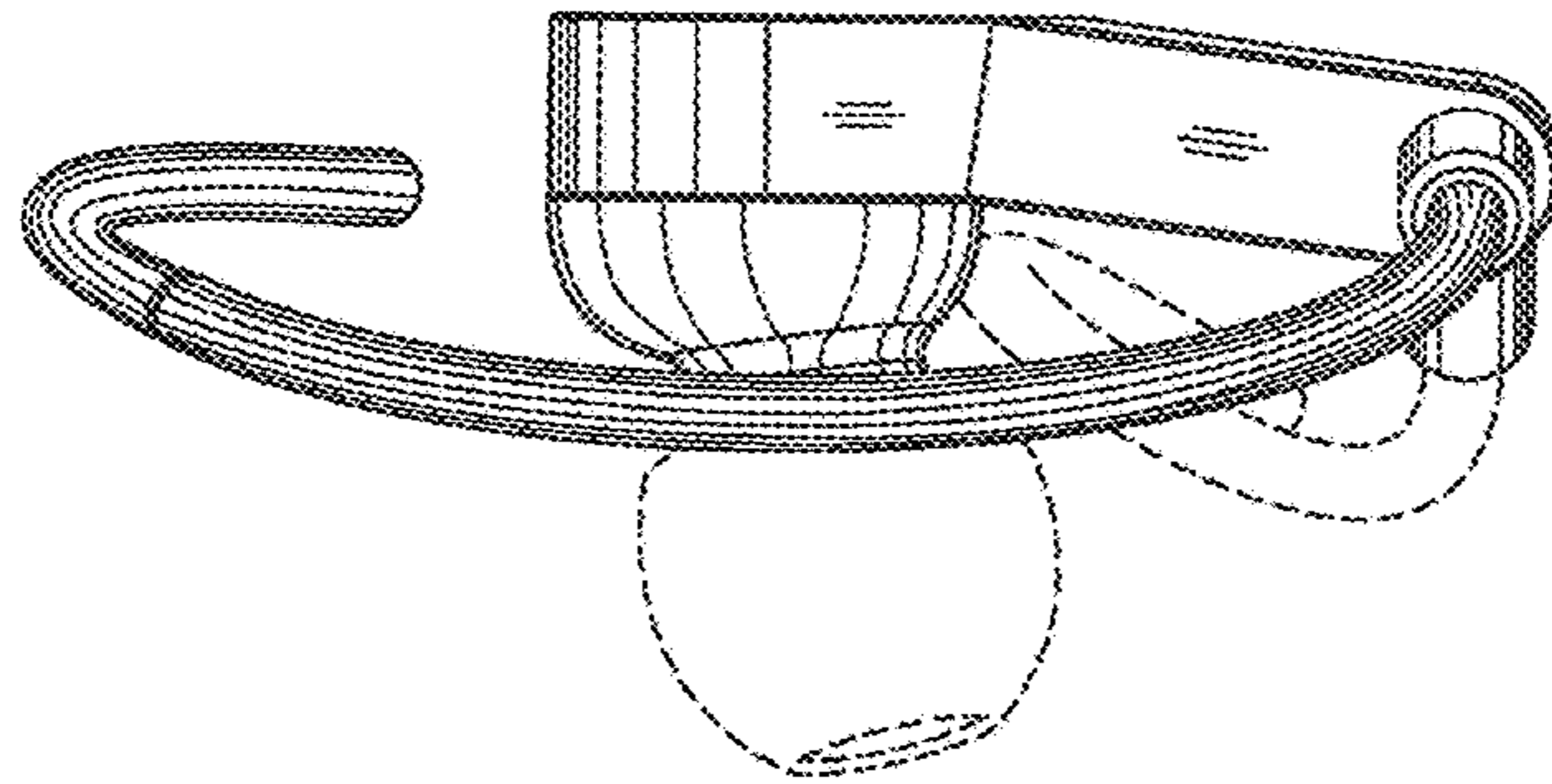


FIG. 7

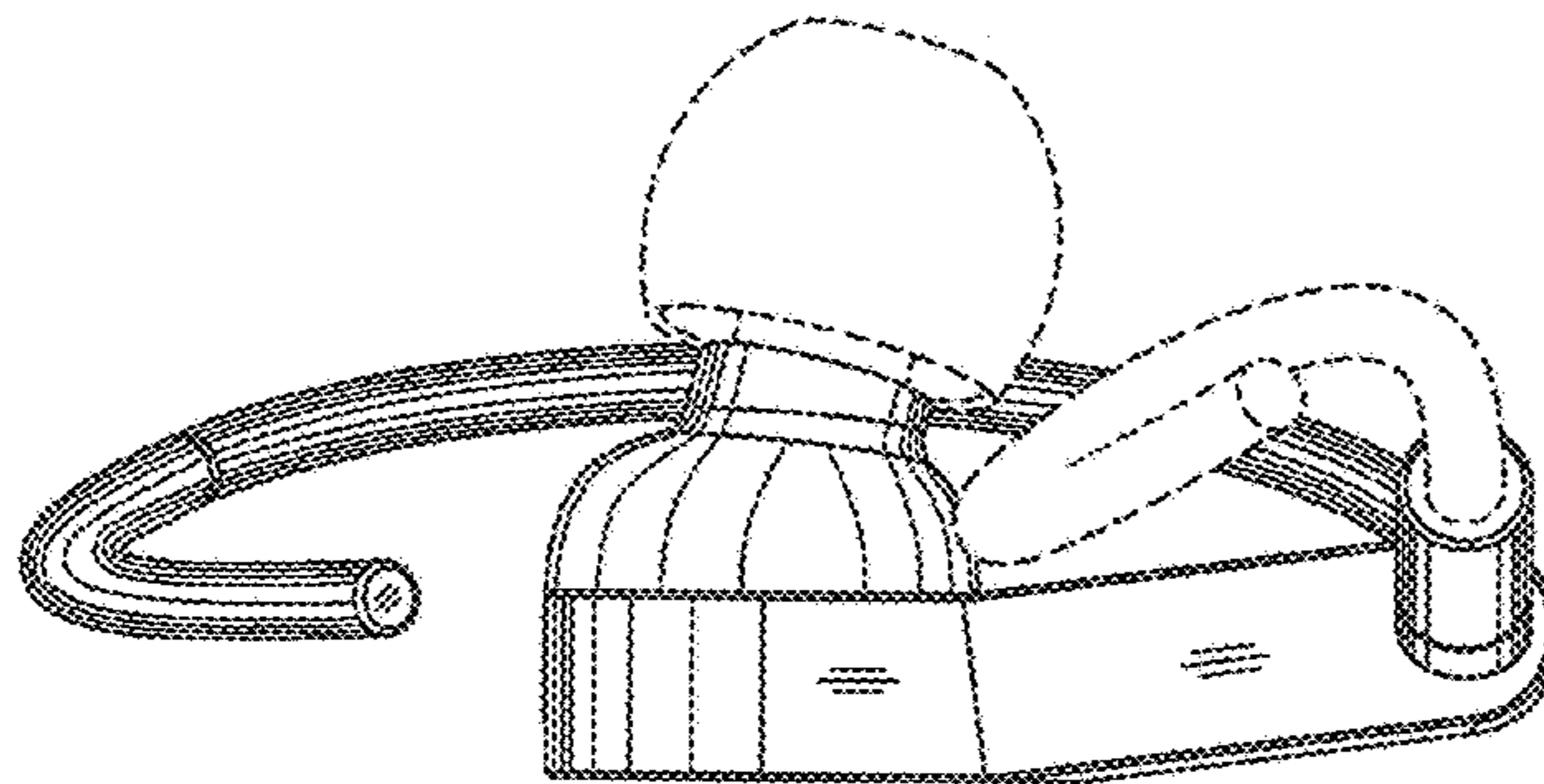


FIG. 8